

PARTS MANUAL
for
VR-50
VARIABLE REACH FORKLIFT

Effective with All Machines

HOW TO USE THIS MANUAL

This Parts Manual applies to all VR-50 Variable Reach Forklifts

When the Comm. # is not Known - Use the Word Index:

- Ingersoll-Rand's Word Index will make this item easy to locate. The Word Index is found in the very back of the book. The items listed are in alphabetical order and may be repeated several times depending on their functional descriptions.
- Let's assume you need to replace the **AIR CLEANER MAIN FILTER ELEMENT**. Use any of the functional words in the item description to locate the the desired item. Example: The first listing for the Air Cleaner Main Filter Element in the Word Index is: Air Cleaner Main Filter Element. The index shows the component will be found on page 41 which is the Parts List page number for the Air Cleaner.

WORD INDEX			
4-WD Gear Box _____	63	Cylinder Lift _____	117
4-WD Gear Box Solenoid Valve _____	63	Cylinder Master _____	87,93
Air Cleaner _____	41	Cylinder Steering _____	105
Air Cleaner Main Filter Element _____	41	Cylinder Steering _____	73
Air Cleaner Safety Filter Element _____	41	Cylinder TSH _____	123
Air Restrictor Indicator _____	41	Decal Installation _____	147
Arm, Steering _____	71	Differential Assembly _____	75
Arm, Wiper _____	23	Dipstick, Engine Oil _____	41
Axle Drive Shaft _____	81	Dipstick, Transmission _____	55
Axle, Front _____	69	Disc, Brake _____	77
Axle, Rear _____	69	Drive Shaft _____	81
Ball Joint _____	71	Element, Air Cleaner Main Filter _____	41
		Element, Air Cleaner Safety Filter _____	41

- The item is also listed as:

Element, Air Cleaner Main Filter
Filter Element, Air Cleaner Main
Main Filter Element, Air Cleaner

Using the Parts Identification Pages:

- The PARTS IDENTIFICATION PAGES consist of the PARTS ILLUSTRATION (even numbered pages) and the PARTS LIST (odd numbered pages).
- The Parts Illustration shows the assembly with its component parts identified by Item Numbers.
- On the Parts List, the components are listed in Item Number order as found in the ITEM column. Other information provided by the Parts List is the Comm. Number which will be required to order Genuine Ingersoll-Rand Replacement Parts, a functional description, the quantity required to assemble one complete assembly, and any additional notes/ dimensions required to help place your parts order.
- For the example: The element is Item 8, Comm. Number 58982315, Quantity of 1.

When the Comm. # is not known - Use the Table of Contents:

- Turn to the **TABLE OF CONTENTS** pages in the front of this manual. These pages show the major systems of the machine divided into **FUNCTIONAL GROUPS** (identified by capital letters).
- Find the Functional Group that best describes the area of the machine you are interested in. For example: **ENGINE**.
- See the sample Table of Contents shown below:

ENGINE	
Engine and Mounting	35
Converter Housing	37
Converter	39
Air Cleaner	41
Exhaust System - Non-Turbo	43
Exhaust System - Turbo	45
Fuel System	47
Throttle Linkage	49
Cooling System	51
Radiator Assembly	53
Transmission and Mounting	55
Transmission Casing	57
Transmission - Internal Components	59
Reverser Unit	61
4-WD Gear Box	63
Gear Change	65
Gear Shift Lever	67
Axle Housing and Pivots	69
Swivel Housing and Steering Cylinder	71
Bevel Gear / Pinion Set	73
Differential Assembly	75
Wheel Hub	77
Reduction Hub	79

- Listed under the Functional Group of Engine...are **SECTIONS** (identified by numbers that describe major repairable components of that group). Find the listing that refers to **AIR CLEANER**.
- Since the Air Cleaner Main Filter Element is what needs to be replaced, refer to the internal breakdown section for the Air Cleaner. The Air Cleaner used on your machine is found on page number 41. Turn to that page of the parts manual and find the parts identification page for the Air Cleaner.

When the Comm. # is Known - Use the Numerical Index:

- If you already know the Comm. Number (part number) for the item required, a **NUMERICAL INDEX** is provided in the back of the manual to assist you. Look up the Comm. Number desired and the Numerical Index will show the Page Number where the item can be found.
- For our Air Cleaner Main Filter Element Example: The Comm. Number S8982315 is found in the Numerical Index, it shows that component will be found on page 41 which is the Parts List page number for the Air Cleaner.

TABLE OF CONTENTS
VR-50

TITLE	PAGE
TABLE OF CONTENTS	A
ABBREVIATIONS USED IN THIS MANUAL	C
RECOMMENDED SPARE PARTS	D
MAIN FRAME	
Chassis Assembly	3
Cab Console	5
Hood Assembly	7
Cab Assembly	9
Cab Panels and Wings	13
Cab Windows	15
Cab and Hood Trim	17
Seat Assembly	19
Fuel and Hydraulic Tank Assembly	21
Windshield Wipers and Washer	23
Cab Heater System	25
Telescopic Arm - Outer	27
Telescopic Arm - Inner	29
Carrier and Forks	31
Pflunger Ram (58960816)	33
ENGINE	
Engine and Mounting	35
Converter Housing	37
Converter	39
Air Cleaner	41
Exhaust System - Non-Turbo	43
Exhaust System - Turbo	45
Fuel System	47
Throttle Linkage	49
Cooling System	51
Radiator Assembly	53
Transmission and Mounting	55
Transmission Casing	57
Transmission - Internal Components	59
Reverser Unit	61
4-WD Gear Box	63
Gear Change	65
Gear Shift Lever	67
Axle Housing and Pivots	69
Swivel Housing and Steering Cylinder	71
Bevel Gear / Pinion Set	73
Differential Assembly	75
Wheel Hub	77
Reduction Hub	79
Axle Drive Shaft	81
Drive Shaft	83
Transmission Cooling System	85

CONTINUED

TABLE OF CONTENTS

VR-50

TITLE	PAGE
BRAKE SYSTEM	
Brake Circuit	87
Master Cylinder (58959511) - Internal Breakdown	91
Foot Brake Linkage	93
Parking Brake	95
Parking Brake Lever	97
STEERING	
Steering Control	99
Steering Hydraulic Circuit	101
Steering Hand Pump (58959602) - Internal Breakdown	105
Priority Valve (58959628) - Internal Breakdown	107
HYDRAULIC SYSTEM	
Main Hydraulic Circuit	109
Pump Drive and Mounting	111
Hydraulic Pump Assembly (58960352) - Internal Breakdown	113
Control Valve Assembly (58987363) - Internal Breakdown	115
Extension and Lift Hydraulic Circuits	117
Extension Cylinder (58960634) - Internal Breakdown	119
Lift Cylinder (58960576) - Internal Breakdown	121
Tilt and Compensating Ram Hydraulic Cylinder	123
Compensating Cylinder (58960691) - Internal Breakdown	127
Tilt Cylinder (58960758) - Internal Breakdown	129
Plunger Ram and Auxiliary Hydraulic Circuits	131
Control Lever (58988031) - Internal Breakdown	133
ELECTRICAL	
Chassis Wiring and Electrical	135
Cab Wiring and Electrical	137
Instrument Panel	139
Lights	141
MISCELLANEOUS	
Wheel and Tire	145
Decals	147
NUMERICAL INDEX	149

STANDARD ABBREVIATIONS

Adj.	Adjustable
AMP	Amperes
A/R	As Required
ARC	Authorized Rebuilt Component
B.H.C.S.	Button Head Cap Screw
BSP	British Standard Pipe
BTC	British Thermal Unit
C/L	Centerline
COMM. NO.	Communication Number
C.S.F.S.H.	Countersunk Flat Socket Head
CCW	Counterclockwise
CW	Clockwise
DDA	Detroit Diesel Allison
Dia.	Diameter
Eff.	Effective
EXT	External
Fem	Female
F.H.C.S.	Flat Head Cap Screw
Fl.	Fillister
Fl. Hd.	Fillister Head
FLR	Flare
FOPS	Falling Object Protection System
ft.	Feet
Fig.	Fitting
Ga.	Gauge
GPH	Gallons Per Hour
Hd	Head
H.H.	Hex Head
H.H.C.S.	Hex Head Cap Screw
H.H.M.S.	Hex Head Machine Screw
H.H.S.	Hex Head Screw
H.S.B.H.S.	Hex Socket Button Head Screw
H.S.H.C.S.	Hex Sucker Head Cap Screw
Hyd.	Hydraulic
I.D.	Inside Diameter
Ign.	Ignition
INST	Instrument
INT. BRKD	Internal Breakdown
I-R	Ingersoll-Rand
JIC	Joint Industry Conference
lg.	Long
L.H.	Left Hand
M	Metric
Mfg.	Manufacturing

mm	Millimeter
M.S.	Machine Screw
R.H.M.S.	Machine Screw Round Head
N.A.	Not Available
No.	Number
NPT	National Pipe Thread
NPTF	National Pipe Thread Fine
N.S.S.	Not Sold Separately
N.S.V.A.	Not Serviceable as an Assembly
O.D.	Outside Diameter
ORB	O-Ring Boss
ORS	O-Ring Seal
PGE	Page
PRESS.	Pressure
PSI	Pounds/Square Inch
pt.	Point
Qty.	Quantity
Rad.	Radiator
R.H.	Right Hand
ROPS	Roll-Over Protection System
Rot.	Rotary
RPM	Revolutions Per Minute
SAE	Society of Automotive Engineers
S.F.H.	Slotted Fillister Head
S.F.H.M.S.	Slotted Fillister Head Machine Screw
S.H.C.S.	Socket Head Cap Screw
S.M.V.	Slow Moving Vehicle
S/N	Serial Number
S.T.	Self-Tapping
Std.	Standard
Str.	Straight
SW	Swivel
Tach.	Tachometer
Temp	Temperature
Thd.	Thread
Thk.	Thick
UNC	Unified Course
UNF	Unified Fine
Univ.	Universal
Var.	Variable
V	Volt
VPM	Vibrations Per Minute
w/	With
w/o	Without

Revised 06/24/94

VR-50
MAINTENANCE ITEMS AND RECOMMENDED SPARES

NOTE: These recommended spare parts reflect current models.

MAINTENANCE ITEMS

Spare parts required for one (1) maintenance interval:

1 UNIT	DESCRIPTION	COMM. NO.	PAGE
	Engine Assembly		
1	-Oil Filter - Turbo	58982489	35
1	-Oil Filter - Non-Turbo	58982497	35
	Air Cleaner Assembly		
1	-Primary Element	58982315	41
1	-Safety Element	58982323	41
	Hydraulics		
1	-Suction Filter	58960188	109
1	-Filter Element	59070847	109
	Transmission		
1	-Converter Oil Filter Canister	58958810	37

RECOMMENDED SPARES

Spare parts are recommended to support the number of units in the column for 1 year OR 1000 hours.

1 UNIT	5 - 9 UNITS	10+ UNITS	DESCRIPTION	COMM. NO.	PAGE
ENGINE ASSEMBLY					
5	8	8	Air Cleaner Element	58982315	41
5	8	8	Air Cleaner Safety Element	58982323	41
1	2	4	Air Cleaner Elbow Hose	58958018	41
	5	10	Oil Filter - Turbo	58982489	35
	5	10	Oil Filter - Non-Turbo	58982497	35
1	2	4	Upper radiator Hose	58958133	51
1	2	4	Radiator Hose - Lower, Inside	59004465	51
1	2	4	Radiator Hose - Lower, Outside	59004473	51
1	2	4	Spring	58958232	49
1	2	4	Cable Assembly	58958240	49
1	2	4	Bolt Joint	58958265	49
TRANSMISSION					
1	2	3	Gear Shift Gaiter	58958430	67

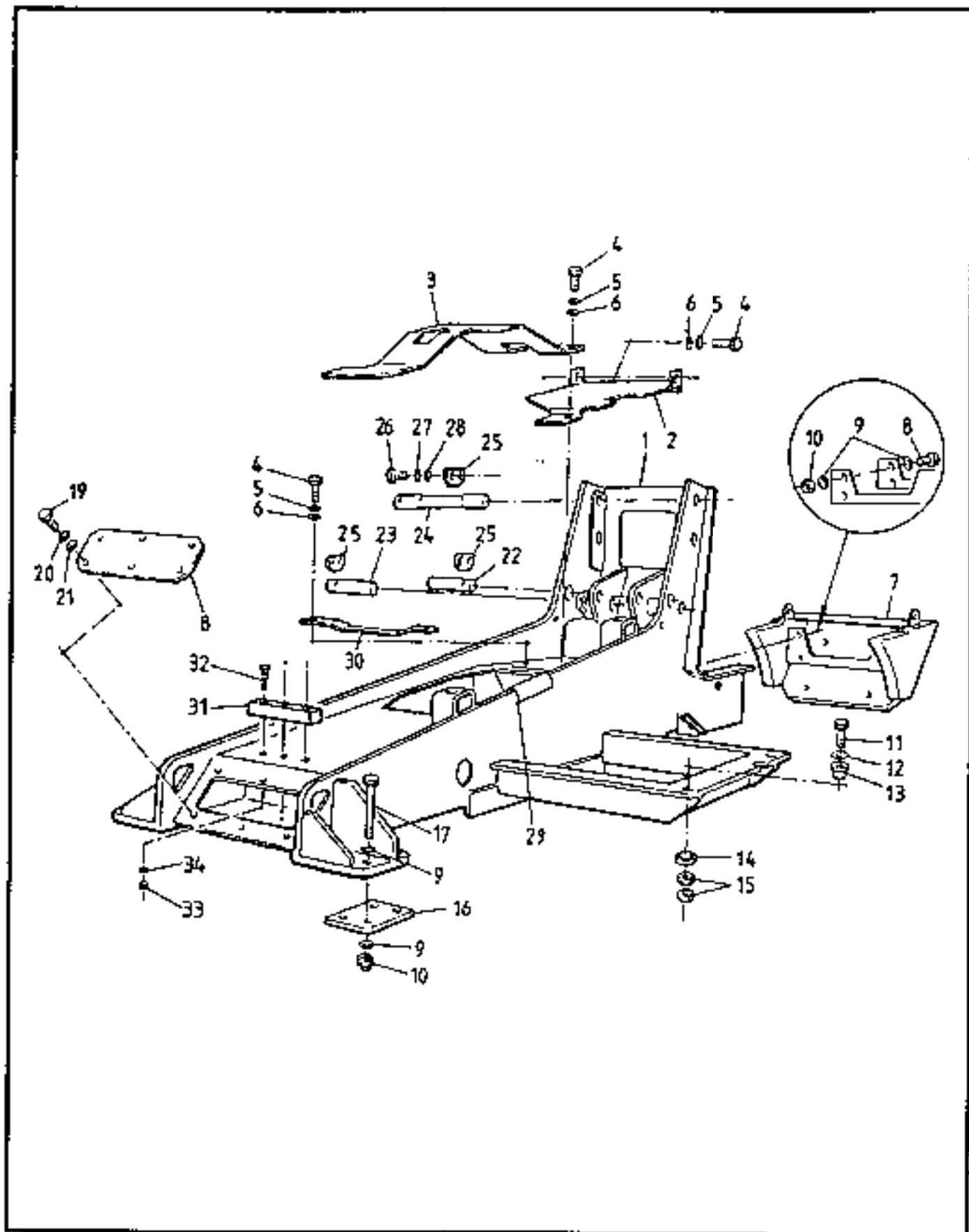
CONTINUED

VR-50
MAINTENANCE ITEMS AND RECOMMENDED SPARES - Continued

1 UNIT	5 - 9 UNITS	10+ UNITS	DESCRIPTION	COMM. NO.	PAGE
TRANSMISSION - Continued					
1	2	3	Parking Brake Brake Pad Kit	58958760	95
1	2	3	Converter Oil Filter Canister	58958810	37
BRAKE SYSTEM					
1	2	3	Brake Switch	58959438	87
1	2	3	Master Cylinder Seal Kit and Relief Valve	58959495	91
HYDRAULIC SYSTEM					
	2	4	Suction Filter	58960158	109
	2	4	Filter Element	58960212	109
1	2	4	Lift Cylinder Seal Kit	58960584	121
1	2	4	Extension Cylinder Seal Kit	58960642	119
1	2	4	Compensating Cylinder Seal Kit	58960709	127
1	2	4	Tilt Cylinder Seal Kit	58960766	129
1	2	4	Plunger Cylinder Seal Kit	58960824	33
PUBLICATIONS					
2	4	6	Parts Manual	58951112	..
2	4	6	Operation and Maintenance Manual	58951104	..

***** Always use Ingersoll-Rand Replacement Parts! *****

VR-50
PARTS MANUAL

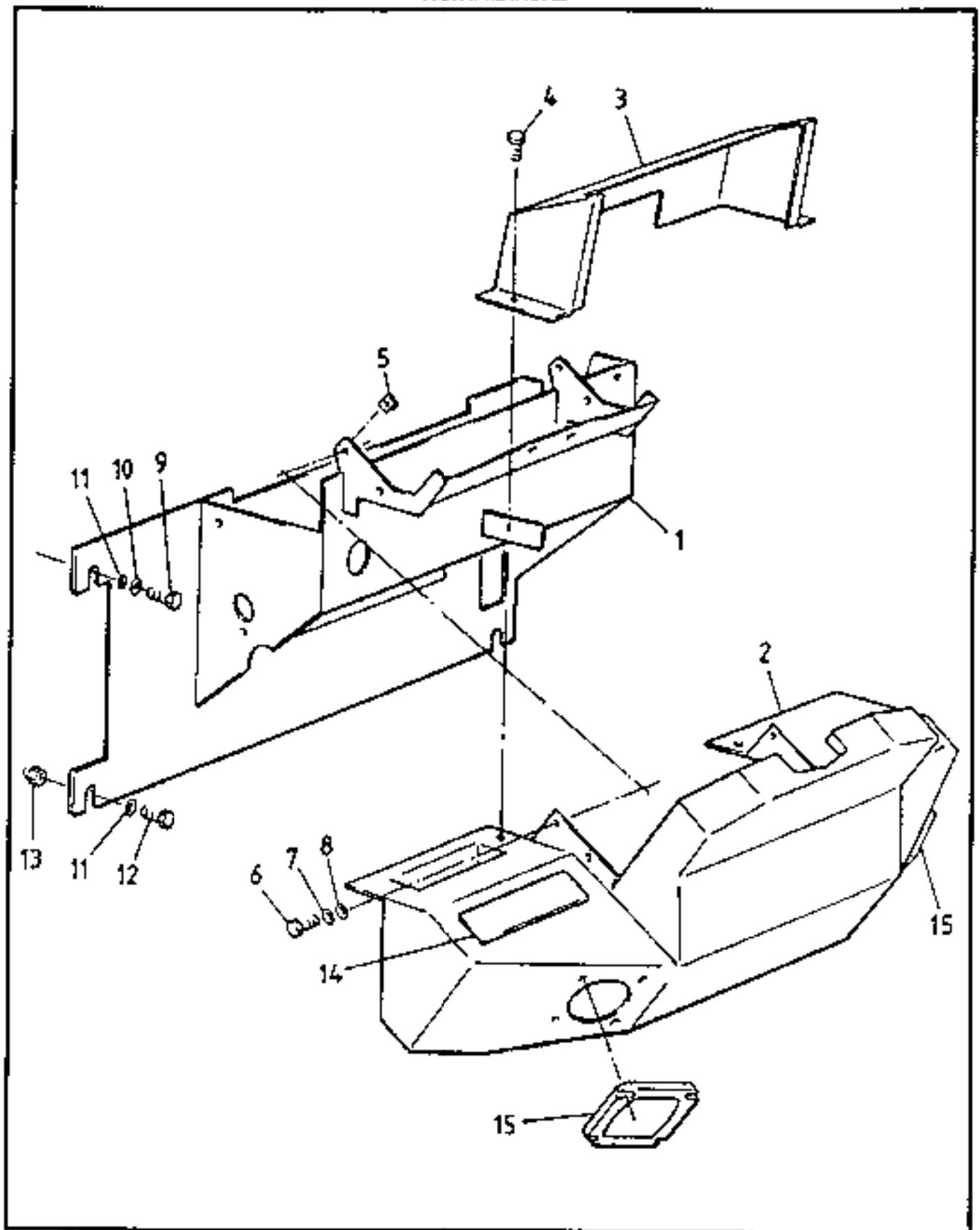


CHASSIS ASSEMBLY

CHASSIS ASSEMBLY

ITEM	COMM. NO	DESCRIPTION	QTY	DIMENSION / NOTES
1	N.S.V.A.	Chassis Assembly	1	
2	58985961	Hose Cover	1	
3	58985979	Transmission Cover	1	
4	58982026	Screw	9	M8 x 20mm lg.
5	58981713	Lock Washer	9	M8
6	58985987	Large Flat Washer	9	M8
7	58985995	Ballast Weight	1	
8	58981614	Bolt	4	M20 x 80mm lg.
9	58981895	Flat Washer	24	M20
10	58981432	Self Locking Nut	12	M20
11	58981663	Bolt	4	Grade 10.9 M16
12	58981887	Flat Washer	4	M16
13	58959644	Rubber Mounting	4	
14	58959651	Rebound Washer	4	
15	58986001	Nut	8	Grade 10.9 M16
16	58986019	Mounting Pad	2	
17	58981620	Bolt	8	M20 x 250mm lg.
18	58986027	Front Cover	1	
19	58981978	Screw	6	M6 x 20mm lg.
20	58981705	Lock Washer	6	M6
21	58986035	Large Flat Washer	6	M6
22	58959669	Pivot Pin	2	Coup Cylinder to Chassis
23	58959691	Pivot Pin	2	Left Cylinder to Chassis
24	59070417	Pivot Pin	1	Broom to Chassis
25	58959685	Keeper Plate	3	
26	58982117	Screw	6	M12 x 20mm lg.
27	58981739	Lock Washer	6	M12
28	58981861	Flat Washer	6	M12
29	58959768	Edge Guard	1	
30	58986043	Hoses Support	1	
31	58985050	Rubber Buffer		
32	58985058	Crack Bolt	3	M10 x 50mm lg.
33	58981408	Self Locking Nut	3	M10
34	58981853	Flat Washer	3	M10

VR-50
PARTS MANUAL

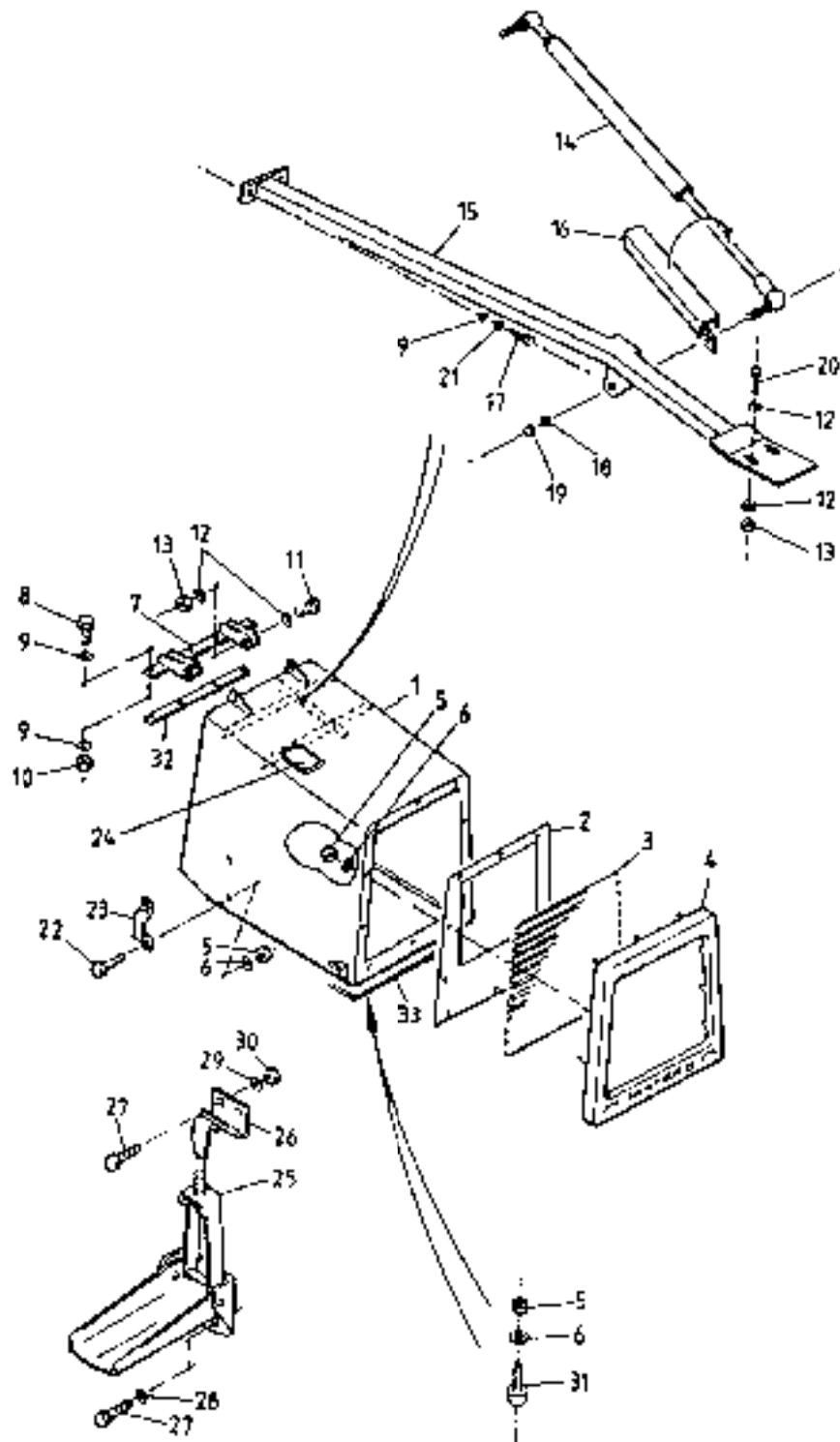


CAB CONSOLE

CAB CONSOLE

ITEM	COMM. NO.	DESCRIPTION	QTY	DIMENSION / NOTES
		CAB CONSOLE		
1	58985300	Pedal Mounting Bracket	1	
2	58986282	Surround Panel	1	
3	58986290	Wiper Motor Cover	1	
4	58986308	Pan Head Screw	2	
5	58986316	Clip	4	
6	58981960	Screw	4	M6 x 16mm lg.
7	58981705	Lock Washer	4	M6
8	58981838	Flat Washer	4	M6
9	58982125	Screw	2	M12 x 25mm lg.
10	58981739	Lock Washer	2	M12
11	58981861	Flat Washer	4	M12
12	58985433	Screw	2	M12 x 35mm lg.
13	58981416	Self Locking Nut	2	M12
14	58986324	Radio Cover Blank	1	
15	59070409	Speaker Cover Blank	2	

VR-50
PARTS MANUAL

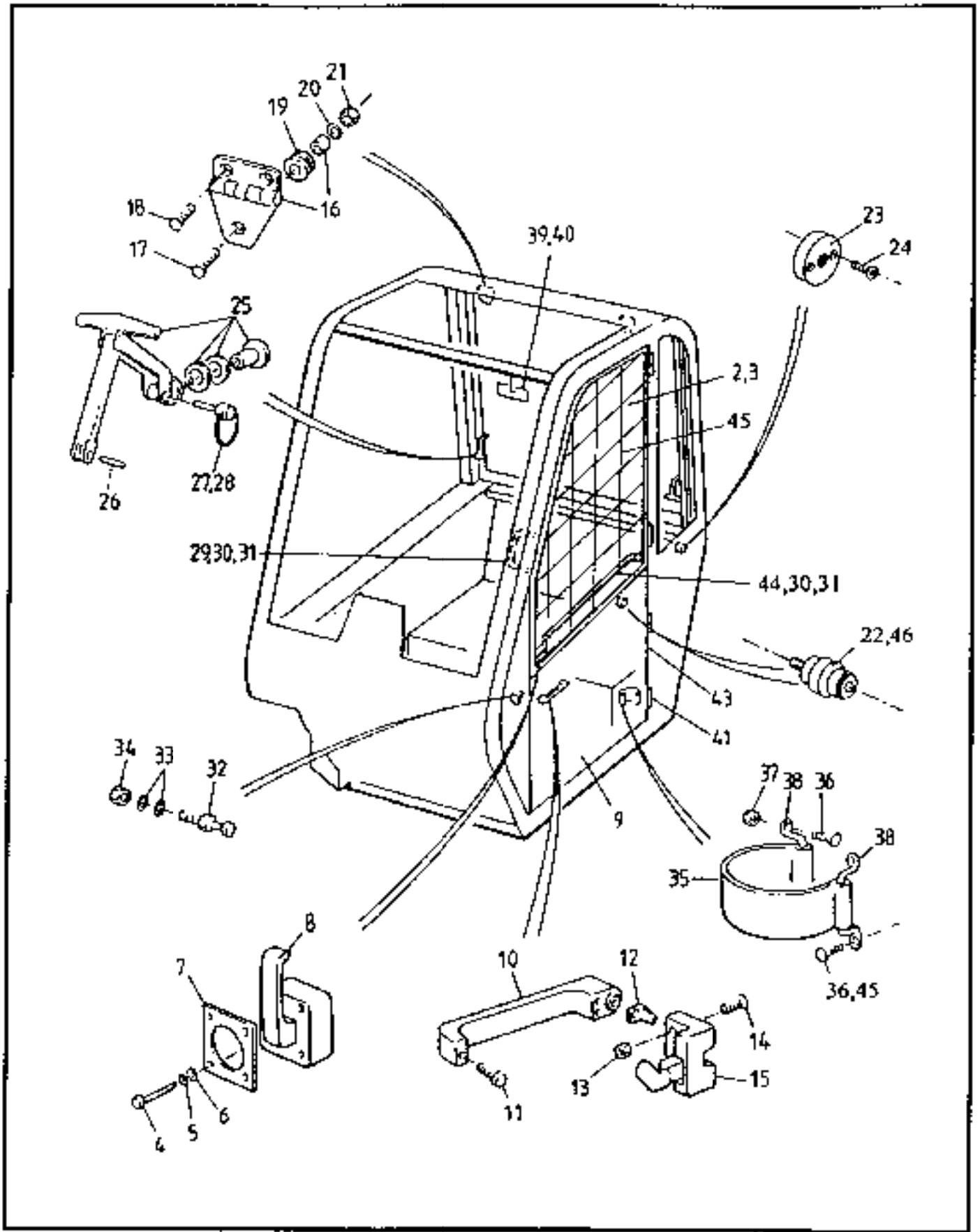


HOOD ASSEMBLY

HOOD ASSEMBLY

ITEM	COMM. NO.	DESCRIPTION	QTY	DIMENSION / NOTES
		Re: HOOD		
1	58986076	Hood		
2	58986084	Radiator Grill Baffle Plate		
3	58959701	Radiator Grill Mesh		
4	58959750	Grill Moulding		
5	58981382	Self Locking Nut	16	M6
6	58981838	Flat Washer	16	M6
7	58986092	Hood Hinge Bracket		
8	58985367	Screw	4	M8 x 35mm lg.
9	58981846	Flat Washer	8	M8
10	58991390	Self Locking Washer	4	M8
11	58982083	Screw	2	M10 x 35mm lg
12	58981853	Flat Washer	8	M10
13	58981408	Self Locking Washer	4	M10
14	58959777	Gas Strut		
15	58986100	Mounting Bracket		
16	58959743	Safety Prop Stay		
17	58982034	Screw	2	M8 x 25mm lg.
18	58985375	Shakeproof Washer	2	M10
19	58985383	Thin Nut	2	M10
20	58982075	Screw	2	M10 x 30mm lg.
21	58981713	Lock Washer	2	M8
22	58985391	Cap Head Screw	4	M6 x 20mm lg
23	58986118	Handle	2	
24	58986126	Edge Seal	1	20" (5.08m)
25	58959735	Hood Catch Assembly	2	
26	58986134	Catch plate	2	
27	58981952	Screw	4	M5 x 16mm lg.
28	58985409	Lock Washer	2	M5
29	58981820	Flat Washer	2	M5
30	58981374	Self Locking Washer	2	M5
31	58959719	Rubber Buffer	2	
32	N.S.S.	Spacer Plate	1	
33	58986142	Seal Strip	1	134" (3.40m)

VR-50
PARTS MANUAL



CAB ASSEMBLY

CAB ASSEMBLY (Sheet 1 of 2)

ITEM	COMM. NO.	DESCRIPTION	QTY	DIMENSION / NOTES
**	N.S.V.A	Cab Assembly	1	With Glass
1	59070425	Cab Fabrication	1	Less Doors & Glass
2	58986357	Upper Door Assembly (Includes Items 3 to 8, 31, 32, 44, and Glass)	1	
3	58986365	-Upper Door Frame	1	
4	58986373	-Screw	4	M5 x 30mm lg.
5	58985409	-Lock Washer	4	M5
6	58981820	-Flat Washer	4	M5
7	58986381	-Plate	1	
8	58986399	-Upper Catch	1	
9	58986407	Lower Door Assembly (Includes Items 10 to 15, 45, and 46)	1	
10	58986415	-Push Button Handle	1	With Key
	59021998	-Key, Only	1	
11	58985441	-Screw	2	M5 x 20mm lg.
12	58986423	-Locking Plate	1	
13	58981390	-Self Locking Nut	2	M8
14	58985458	-Screw	2	M8 x 35mm lg.
15	58986431	-Bottom Door Catch	1	
16	58986449	Rear Window Hinge Assembly	2	
17	58985466	Screw	2	M8 x 30mm lg.
18	58985474	Countersunk Slotted Screw	4	M8 x 20mm lg.
19	58986274	Grommet	2	
20	58981846	Flat Washer	2	M8
21	58981390	Self Locking Nut	2	M8
22	58986464	Male Door Catch	1	
23	58986472	Female Door Catch	1	
24	58985482	Countersunk Cap Head Screw	2	M6 x 30mm lg.
25	58986480	Rear Window Catch Assembly	2	
26	58986498	Spring Pin	2	
27	58986506	Release Pin	2	
28	58986514	Clip	2	
29	58986522	Handle	1	
30	58982026	Screw	2	M8 x 20mm lg.
31	58985490	Cap Nut	2	M8
32	58986530	Door Locking Stud	1	
33	58981861	Flat Washer	2	M12
34	58981341	Nut	1	M12
35	58986548	Door Retaining Strap	1	
36	58981937	Screw	4	M6 x 12mm lg.
37	58960162	Self Locking Nut	2	M6
38	58986555	Door Strap Staple	2	

CONTINUED

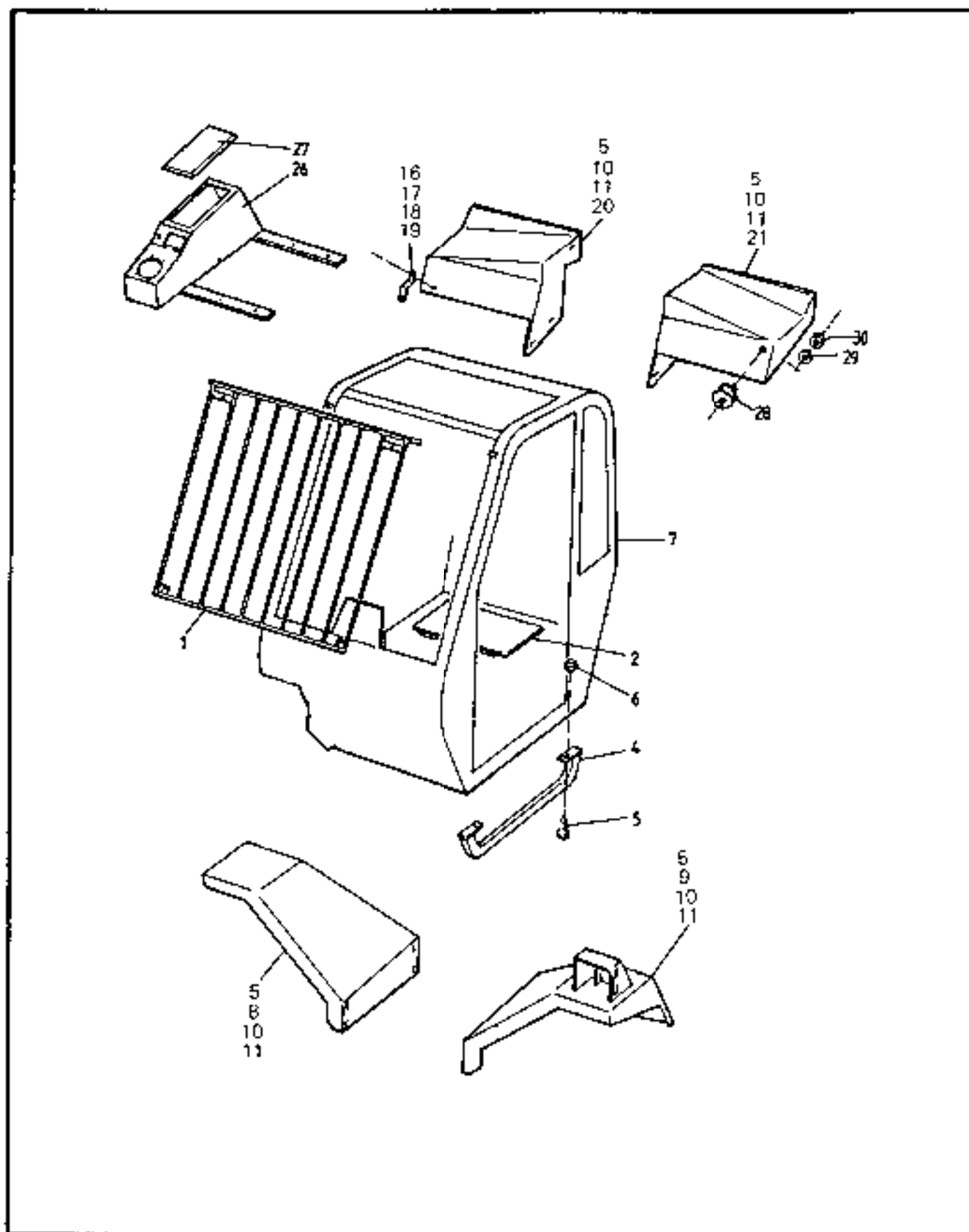
VR-50
PARTS MANUAL

****Always Use Ingersoll-Rand Replacement Parts!****

CAB ASSEMBLY (Sheet 2 of 2)

ITEM	COMM. NO.	DESCRIPTION	QTY	DIMENSION / NOTES
39	58986563	Interior Mirror	1	
40	58986571	Self Tapping Screw	2	
41	58986589	Hinge Washer	4	
42	58986597	Door to Door Seal Strip	1	
43	58986605	Door Jam Seal Strip	1	
44	58986613	Upper Door Seal Strip	1	
45	59070433	Mesh Guard, Left Side Only	1	

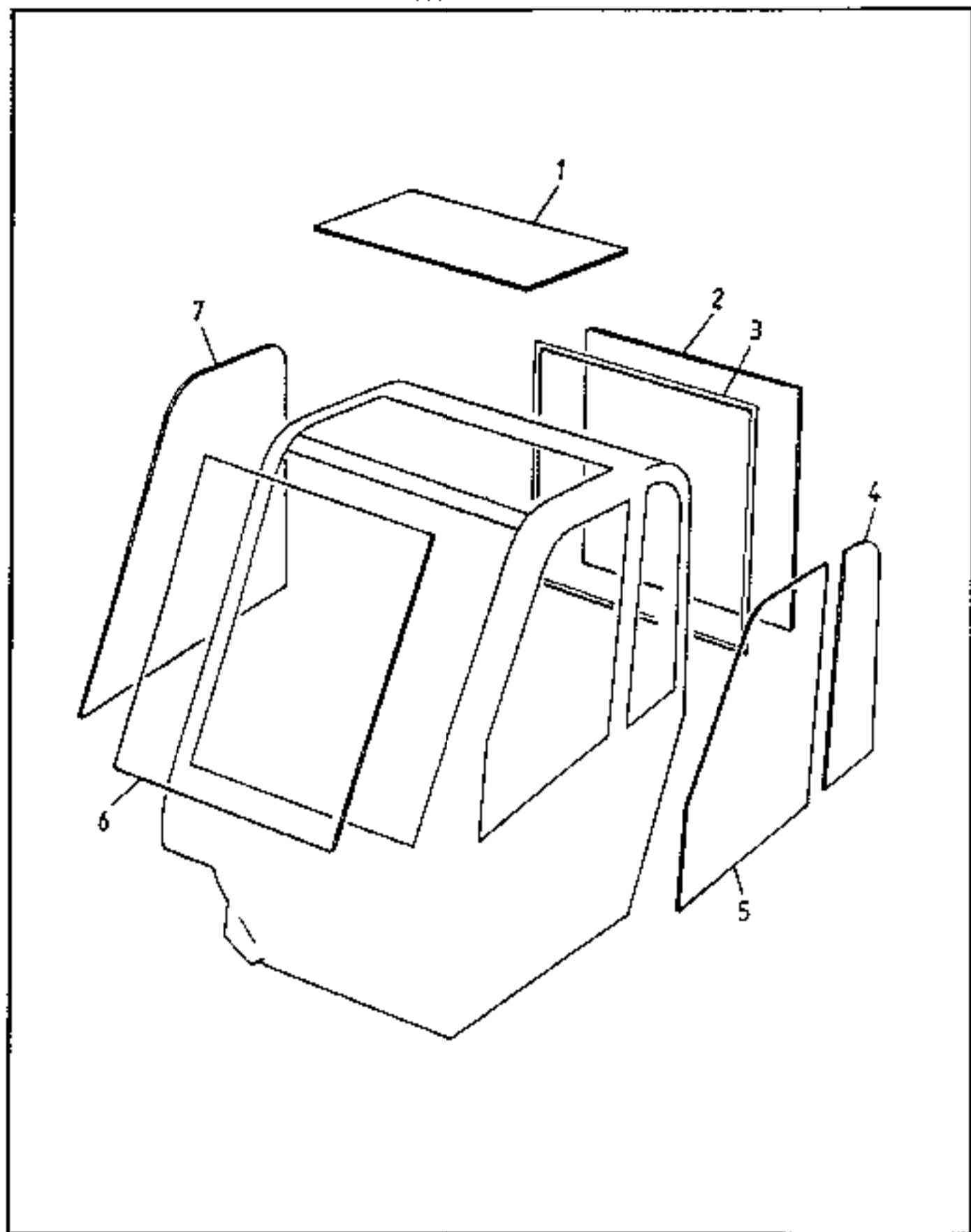
VR-50
PARTS MANUAL.



CAB PANELS AND WINGS

CAB PANELS AND WINGS

ITEM	COMM. NO	DESCRIPTION	QTY	DIMENSION / NOTES
1	58986647	Front Guard Assembly	1	
2	***	Deleted		
3	58982026	Screw	8	M8 x 20mm lg.
4	58986662	Stop	1	
5	58982125	Screw	16	M12 x 25mm lg.
6	58981116	Self Locking Nut	2	M12
7	58986340	Cab Fabrication	1	
8	58986670	Front R.H. Wing	1	
9	58986688	Front L.H. Wing	1	
10	58981861	Flat Washer	14	M12
11	58981739	Lock Washer	14	M12
12	***	Deleted		
13	***	Deleted		
14	***	Deleted		
15	***	Deleted		
16	58986720	Bracket	1	
17	58985441	Screw	3	M6 x 20mm lg.
18	58981838	Flat Washer	6	M6
19	58981705	Self Locking Washer	3	M6
20	58986738	Rear R.H. Wing	1	
21	58986746	Rear L.H. Wing	1	
22	***	Deleted		
23	***	Deleted		
24	***	Deleted		
25	***	Deleted		
26	59045997	Joystick Pad	1	
27	58986779	Armrest Pad	1	
28	58986787	Mudguard Mount	1	
29	58985375	Shakeproof Washer	1	M10
30	58981333	Net	1	M10

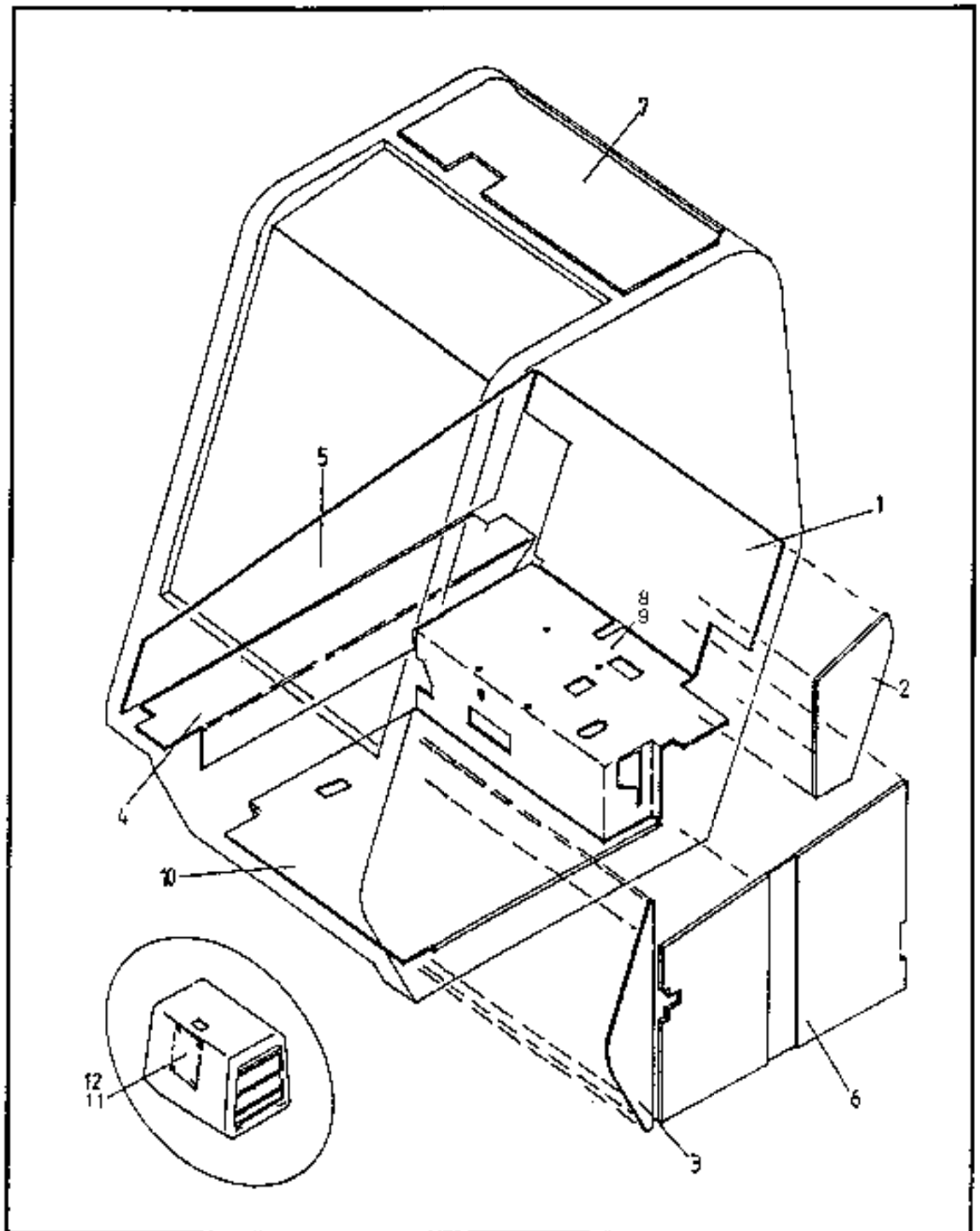


CAB WINDOWS

CAR WINDOWS

ITEM	COMM. NO.	DESCRIPTION	QTY	DIMENSION / NOTES
		<small>Net Windows</small>		
1	58986795	Roof Glass	1	
2	58986803	Rear Glass	1	
3	58986811	Rear Window Seal Strip	1	
4	58986829	Left Hand Side Glass	1	
5	58986837	Door Glass	1	
6	58986845	Windshield Glass	1	
7	58986852	Right Hand Side Glass	1	
-	58986860	Glass Sealant	1	

VR-50
PARTS MANUAL

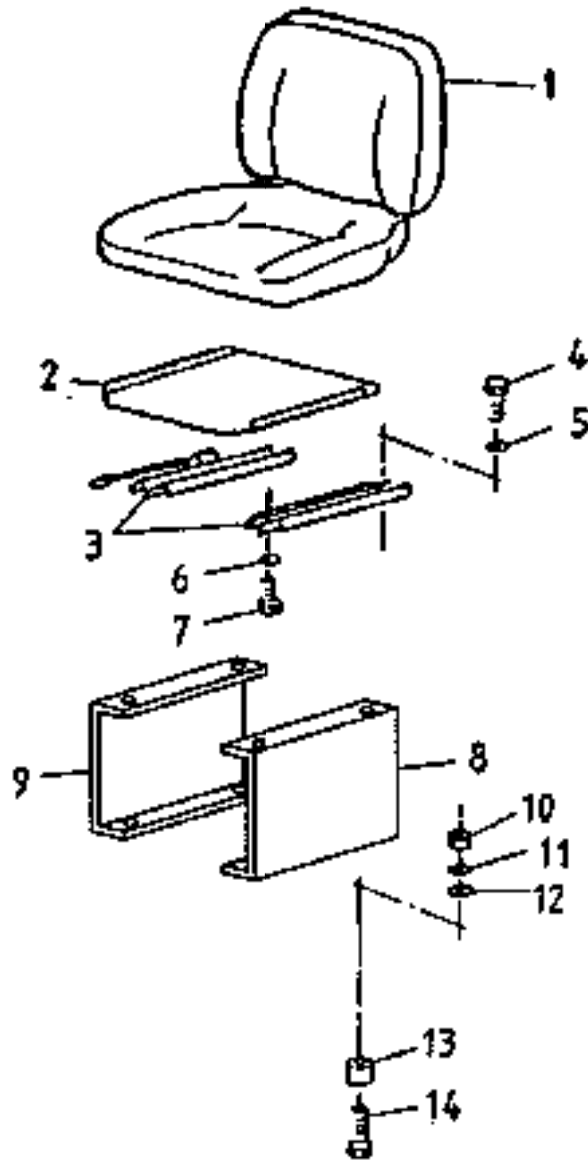


CAB AND HOOD TRIM

CAB AND HOOD TRIM

ITEM	COMM. NO.	DESCRIPTION	QTY	DIMENSION / NOTES
**	58986878	Cab Interior Trim kit	1	
1	58986886	-Rear Cab Trim	1	
2	58986894	-Rear L.H. Trim	1	
3	58986902	-Front L.H. Trim	1	
4	58986910	-R.H. Side Trim	1	
5	58986928	-R H Side Panel Trim	1	
6	58986936	-Door Panel Trim	1	
7	58986944	Roof Panel Trim	1	
8	58986951	-Seat Deck Trim	1	
9	58986969	-Seat Deck Underlay Trim	1	
10	58986977	-Floor Mat	1	
11	58986985	Heat Shield Trim	1	
12	58986993	Heat Shield Retainer	4	

VR-50
PARTS MANUAL

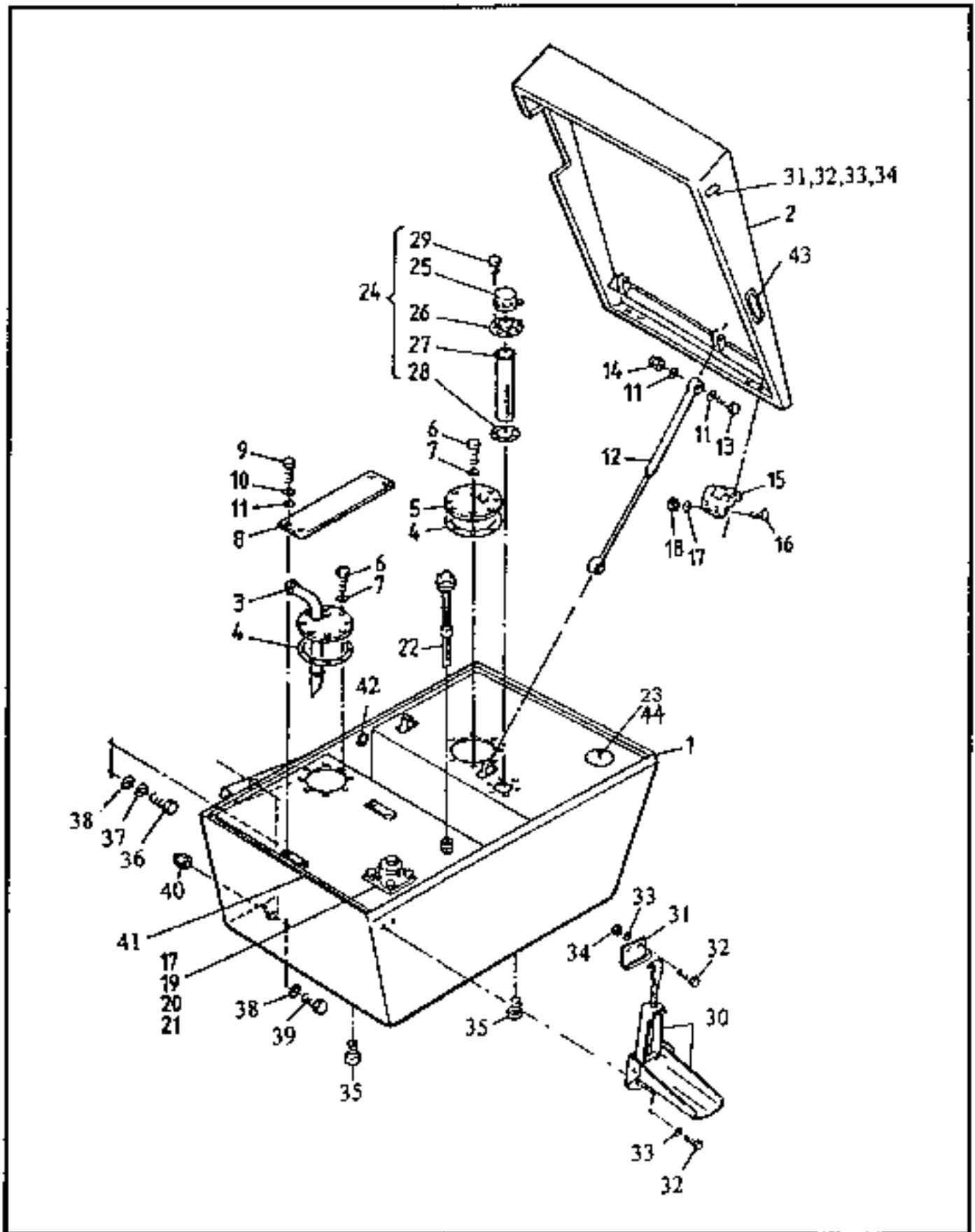


SEAT ASSEMBLY

SEAT ASSEMBLY

ITEM	COMM NO.	DESCRIPTION	QTY	DIMENSION / NOTES
		RAT SEAT		
1	59045948	Seat	1	
2	59071357	Adapter Plate Kit	1	
3	59071365	Sliding Rail Kit	1	
4	58981960	Screw, Set	4	M6 x 16
5	58981838	Washer, Plain	4	M6
6	58981705	Washer, Spring	4	M6
7	59071373	Screw, Cap	4	M6 x 16
8	59045963	Seat Mounting Bracket, LH	1	
9	59045971	Seat Mounting Bracket, RH	1	
10	58981325	Nut, Plain	4	M8
11	58981713	Washer, Spring	8	M8
12	58981846	Washer, Plain	8	M8
13	59071381	Spacer	4	
14	59071399	Screw, Set	4	M8 x 40

VR-50
PARTS MANUAL.



FUEL AND HYDRAULIC TANK ASSEMBLY

FUEL AND HYDRAULIC TANK ASSEMBLY

ITEM	COMM. NO.	DESCRIPTION	QTY	DIMENSION / NOTES
		Ref Table		
1	58986159	Tank Assembly		
2	58986167	Cover		
3	58985631	Hydraulic Suction Cover Plate		
4	58959776	Cover Plate Gasket		
5	58982505	Fuel Tank Cover Plate		
6	58982026	Screw	16	M8 x 20mm lg.
7	58981671	Copper Washer	16	M8
8	58986175	Control Valve Mounting Plate	1	
9	58982364	Screw	4	M10 x 25mm lg.
10	58981721	Lock Washer	4	M10
11	58981853	Flat Washer	12	M10
12	58959784	Gas Strut	2	
13	58982075	Screw	4	M10 x 30mm lg.
14	58981408	Self Locking Nut	4	M10
15	58959792	Hinge Assembly	2	
16	58985417	Countersunk Screw	8	M6 x 20mm lg.
17	58981838	Flat Washer	12	M6
18	58981382	Self Locking Washer	8	M6
19	58986183	Hydraulic Filter Assembly	1	
20	58981986	Screw	4	M6 x 25mm lg
21	58981705	Lock Washer	4	M6
22	58959800	Hydraulic Oil Level Gauge	1	
23	59013532	Fuel Gauge	1	
24	58959818	Filler Cap Assembly		
25	58986191	-Cap Assembly		
26	58986209	-Filler Neck		
27	58986217	-Filter Basket		
28	58986225	-Gasket		
29	58981937	Screw	6	M4 x 12mm lg.
30	58986233	Catch Assembly	1	
31	58986241	Catch Plate		
32	58981952	Screw	5	M5 x 16mm lg.
33	58981820	Flat Washer	5	
34	58981374	Self Locking Nut	5	M5
35	58986258	Drain Plug	2	1/2" BSP
36	58982125	Screw	2	M12 x 25mm lg.
37	58981739	Lock Washer	2	M12
38	58981861	Flat Washer	4	M12
39	58985425	Screw	2	M12 x 55mm lg.
40	58981416	Self Locking Nut	2	M12
41	58986266	Seal Strip	1	30" (0.75m)
42	58986274	Grommet	1	

CONTINUED

VR-50
PARTS MANUAL

****Always Use Ingersoll-Rand Replacement Parts!****

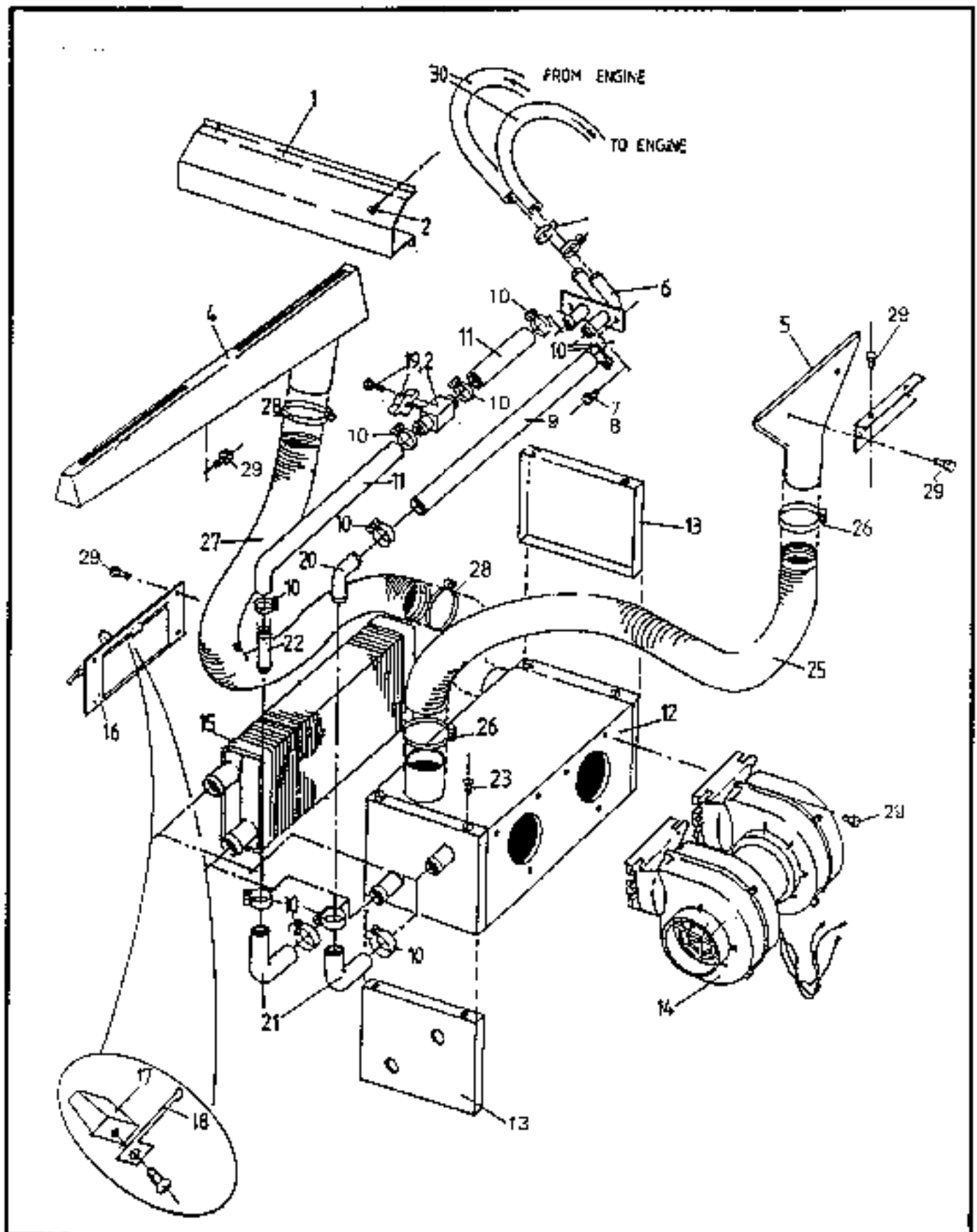
FUEL AND HYDRAULIC TANK ASSEMBLY

ITEM	COMM. NO	DESCRIPTION	QTY	DIMENSION / NOTES
43	58986126	Seal Strip	1	20" (0.50 m)
44	59025315	Fuel Sender	1	

WINDSHIELD WIPERS AND WASHER

ITEM	COMM NO.	DESCRIPTION	QTY	DIMENSION / NOTES
1	58988593	Wiper Motor	2	
2	58988791	Wiper Arm	1	
3	58988809	Wiper Blade	1	
4	58988817	Wiper Arm	1	
5	58988825	Wiper Blade	1	
6	58988833	Travelling jet	2	
7	58988841	Nylon Tube	2	
8	58988858	Cover	1	
**	58988866	Washer Bottle Assembly	1	
9	58988874	Washer Bottle	1	
10	58988882	-Washer Pump	2	
11	58988890	-Washer Bottle Strap	1	
12	58988908	-Washer Bottle Cap	1	
13	58988916	-Mounting Bracket	1	
14	58988916	Self Locking Nut	2	M6
15	58981382	Screw	2	M6 x 12mm lg.
16	58988924	Non-Return Valve	2	

VR-50
PARTS MANUAL

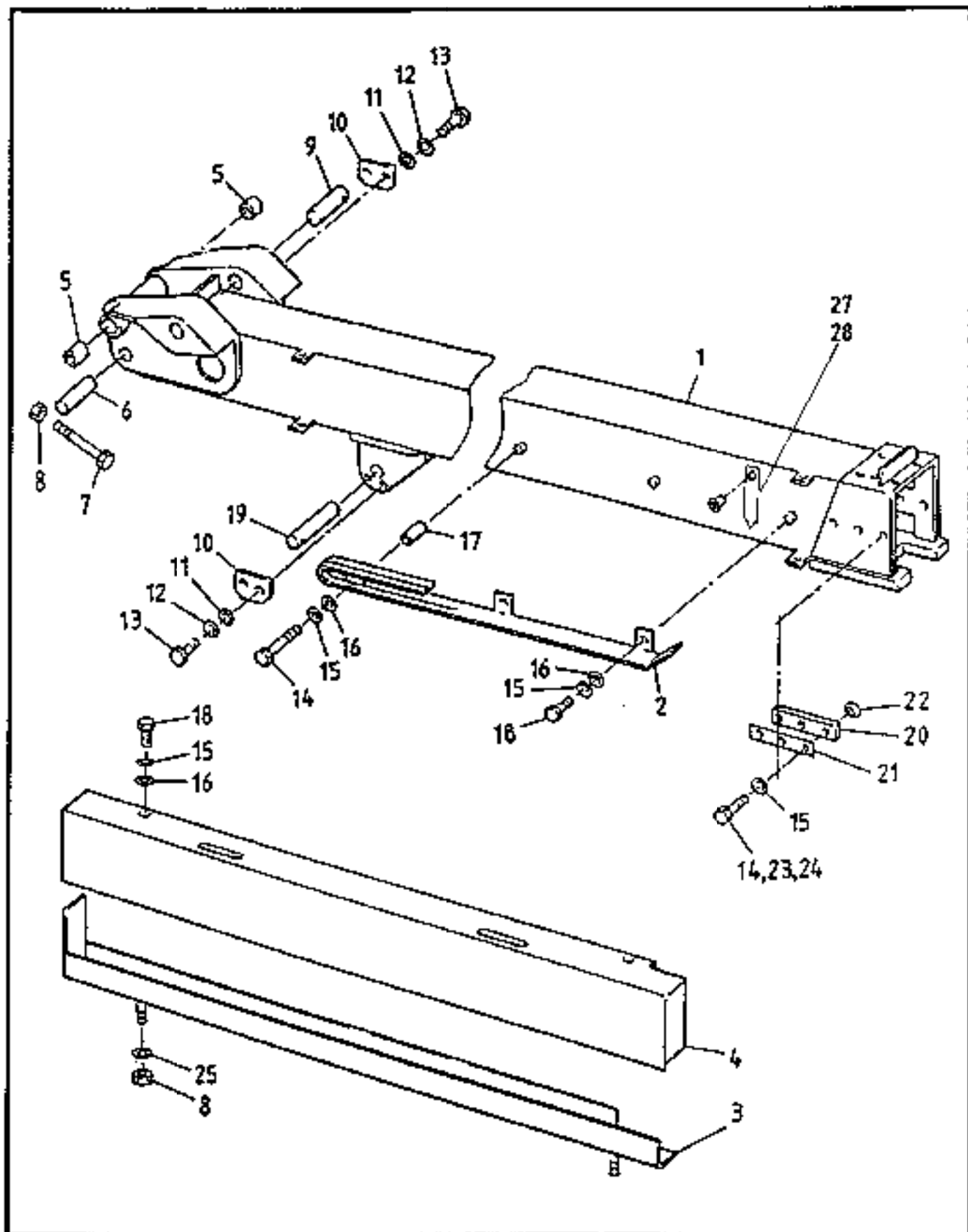


CAB HEATER SYSTEM

CAB HEATER SYSTEM

ITEM	COMM. NO.	DESCRIPTION	QTY	DIMENSION / NOTES
		<small>See HEATER</small>		
1	58988528	Hose Cover	1	
2	58988536	Self Tapping Screw	13	
3	58988544	Foam Seal	1	51" lg. (1.3m) (Not Shown)
4	58988551	Front Nozzle		
5	58988569	Rear Nozzle		
6	58988577	Pipe Plate Assembly		
7	58988932	Screw	2	M6 x 12mm lg.
8	58981705	Lock Washer	2	M6
9	58988585	Hose	1	5/8" x 20" lg. (0.5m)
10	58988940	Hose Clamp		
11	58988585	Hose	1	5/8" x 10" lg. (0.25m)
**	58988601	Heater Assembly	1	
12	58988619	-Heater Casing		
13	58988627	-Heater End Cover		
14	58988635	-Fan And Motor Assembly		
15	58988643	-Heater Core		
16	58988650	-Vent Door		
17	58988668	-Door Knob		
18	58988676	-Door Spring		
19	58988684	Heater Valve		
20	58988692	Brass Elbow		
21	58988700	Rubber Elbow		
22	58988718	Straight Connector		
23	58988726	Self Tapping Screw		
24	58988734	Bracket		
25	58988742	Defrost Hose	1	1-3/4" x 37" lg. (1m)
26	58988750	Hose Clamp		
27	58988767	Defrost Hose		2" x 46" lg. (1.16m)
28	58988775	Hose Clamp		
29	58988783	Self Tapping Screw		
30	58988585	Hose		5/8" x 110" lg. (2.8m)

VR-50
PARTS MANUAL

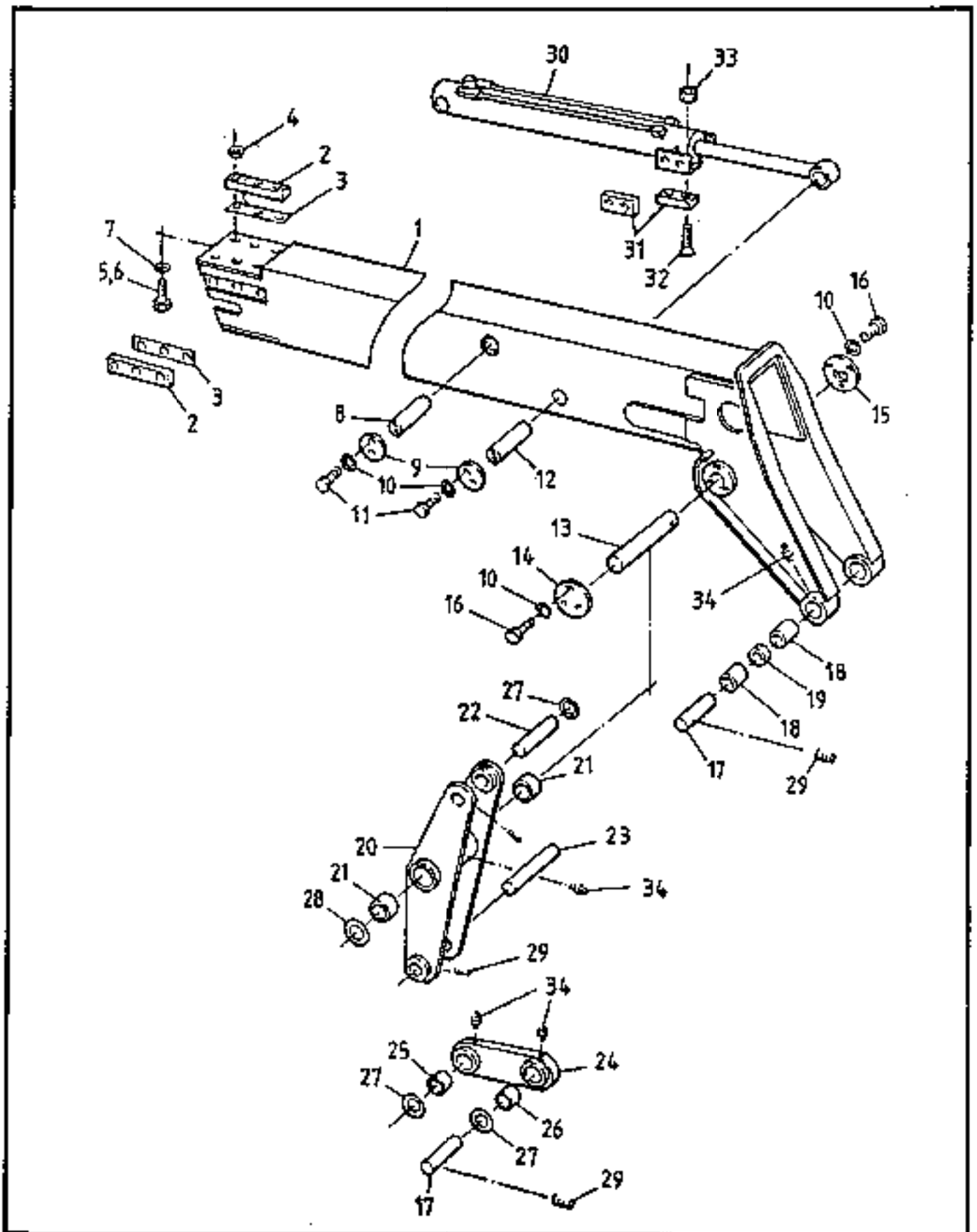


TELESCOPIC ARM - OUTER

TELESCOPIC ARM - OUTER

ITEM	COMM. NO.	DESCRIPTION	QTY	DIMENSION / NOTES
1	58987009	Outer Arm	1	
2	58987017	Hose Guide	1	
3	58987025	Hose Tray	1	
4	58987025	Side Cover	1	
5	59070441	Bushing	4	
6	58959842	Pivot Pin	1	Extension Cylinder to Arm
7	58981515	Bolt	2	M10 x 110 mm lg.
8	58981408	Self Locking Nut	4	M10
9	58959859	Pivot Pin	2	Comp Cylinder to Arm
10	58959941	Keeper Plate	3	
11	58981861	Flat Washer	6	M12
12	58981739	Lock Washer	6	M12
13	58982117	Screw	6	M12 x 20 mm lg
14	58982091	Screw	7	M10 x 40 mm lg
15	58981721	Lock Washer	23	M10
16	58981853	Flat Washer	5	M10
17		Spacer	1	
18	58983487	Screw	4	M10 x 20 mm lg
19	58959875	Pivot Pin	1	Lift Cylinder to Arm
20	58959883	Wear Pad	6	
21	58959891	Shim	A/R	1mm
22	58959909	Insert	18	
23	58959917	Screw	6	M10 x 25 mm - Top
24	58959925	Screw	65	M10 x 35 mm - Side
25	58959933	Large Flat Washer	2	M10
26	58987058	Grease Fitting	2	
27	59070458	Boom Angle Indicator	1	
28	59070466	Bushing, Indicator	1	
<p><i>NOTE: Wear Pad Retaining Screws (Items 23 & 24) are nominal length. Longer screws may be needed, depending on number of shims used.</i></p>				

VR-50
PARTS MANUAL.

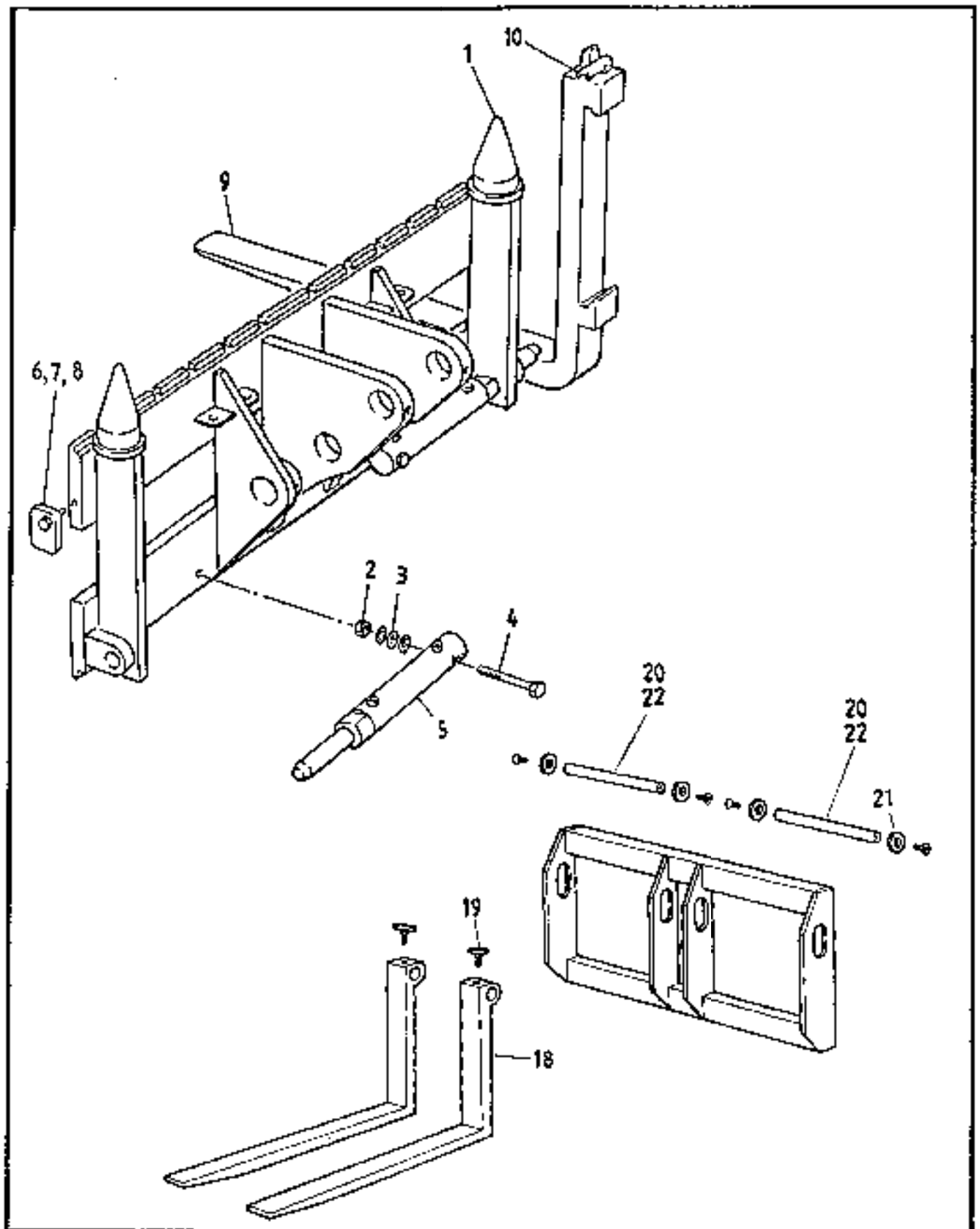


TELESCOPIC ARM - INNER

TELESCOPIC ARM - INNER

ITEM	COMM. NO.	DESCRIPTION	QTY	DIMENSION / NOTES
		REF IN ARM		
1	58987108	Inner Arm		
2	58987116	Wear Pad		
3	58987124	Shim	A/R	1mm
4	58959909	Insert		
5	58959958	Side Wear Pad Screw	6	M10 x 30mm lg.
6	58959925	Top/Bottom Wear Pad Screw	18	M10 x 35mm lg
7	58961160	Lock Washer	18	M10
8	58959966	Pivot Pin	1	Tilt Cylinder to Arm
9	58960048	Keeper Plate		
10	58981713	Lock Washer	14	M8
11	58982018	Screw	8	M8 x 16mm lg.
12	58959974	Pivot Pin	1	Extension Cylinder to Arm
13	58959982	Pivot Pin	1	Comp Cylinder to Arms
14	58960055	Keeper Plate		
15	58960063	Keeper Plate		
16	58982034	Screw	6	M8 x 25 mm lg.
17	58959990	Pivot Pin	3	Carrier to Arm/Comp Link to Carrier
18	58960006	Bushing		
19	58987140	Spacer		
20	58987157	Comp Lever		
21	58960014	Bushing		
22	58960022	Pivot Pin	1	Tilt Cylinder to Comp Lever
23	58987165	Pivot Pin	1	Comp Lever to Comp Link
24	58987173	Comp Link		
25	58960030	Bushing		
26	58960071	Bushing		
27	58960089	Shim	A/R	1mm
-	58960097	Shim	A/R	2mm
-	58960105	Shim	A/R	4mm
28	58960113	Shim	A/R	1mm
-	58960121	Shim	A/R	2mm
-	58960139	Shim	A/R	3mm
29	58987181	Grub Screw		
30	58960069	Extension Cylinder Assembly		
31	58960147	Wear Pad		
32	58960154	Countersunk Screw	8	M6 x 20mm lg
33	58960162	Self Locking Nut	8	M6
34	58987058	Grease Fitting	3	M10 x 1.5mm lg

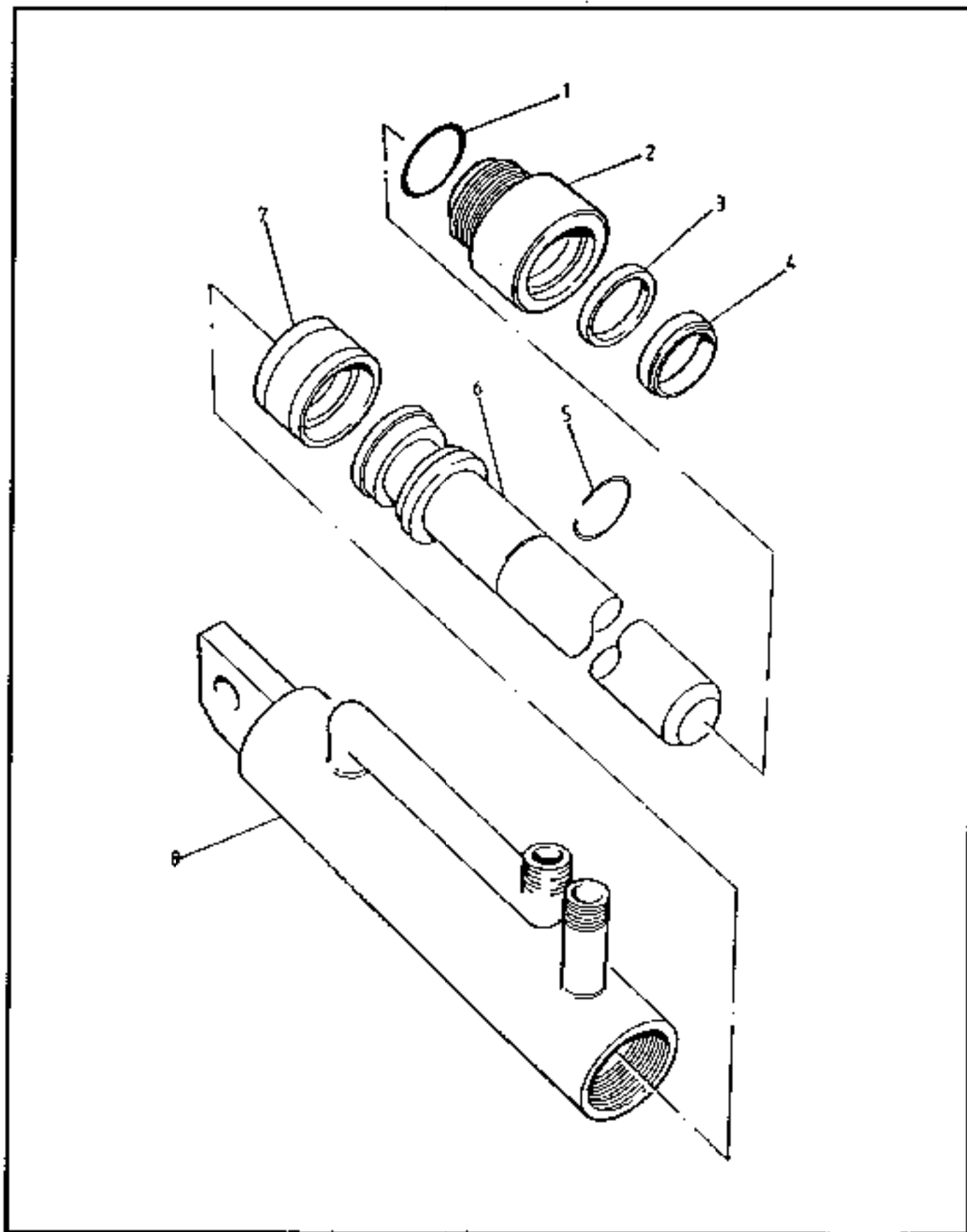
VR-50
PARTS MANUAL



CARRIER AND FORKS

CARRIER AND FORKS

ITEM	COMM. NO.	DESCRIPTION	QTY	DIMENSION / NOTES
		<small>REF: CABZ-FBK</small>		
1	58987207	Carrier	1	
2	58987215	Nut	2	M16
3	58981887	Flat Washer	A/R	M16
4	58981598	Bolt	2	M16 x 100mm lg.
5	58960816	PLUNGER RAM	2	See Breakdown
6	58987223	Fork Retaining Plate	2	
7	58982133	Setscrew	2	M12 x 30mm lg.
8	58981861	Flat Washer	2	M12
9	58987231	Fork	2	7" Heel
10	58960170	Latch Kit	2	
11	58953639	Pallet Forks, Strimech, Hook	1	1.75 x 4 x 42 in.
12	58953597	Pallet Forks, Strimech, Floating Pin	1	1.75 x 4 x 42 in.
13	58846460	Pallet Forks, Strimech, Hook	1	1.75 x 4 x 48 in.
14	58846452	Pallet Forks, Strimech, Floating Pin	1	1.75 x 4 x 48 in.
15	58953175	Pallet Forks, Strimech, Hook	1	1.75 x 4 x 60 in.
16	58953621	Pallet Forks, Strimech, Floating Pin	1	1.75 x 4 x 60 in.
17	59458745	Pallet Forks, Major Equipment Attachment	1	1.75 x 4 x 48 in.
18	59021964	Forks	2	
19	59021972	Fork Locking Pin	2	
20	59004200	Load Arms, 48"	2	
21	59004432	Collar	2	
22	59023333	Load Arms, 60"	2	

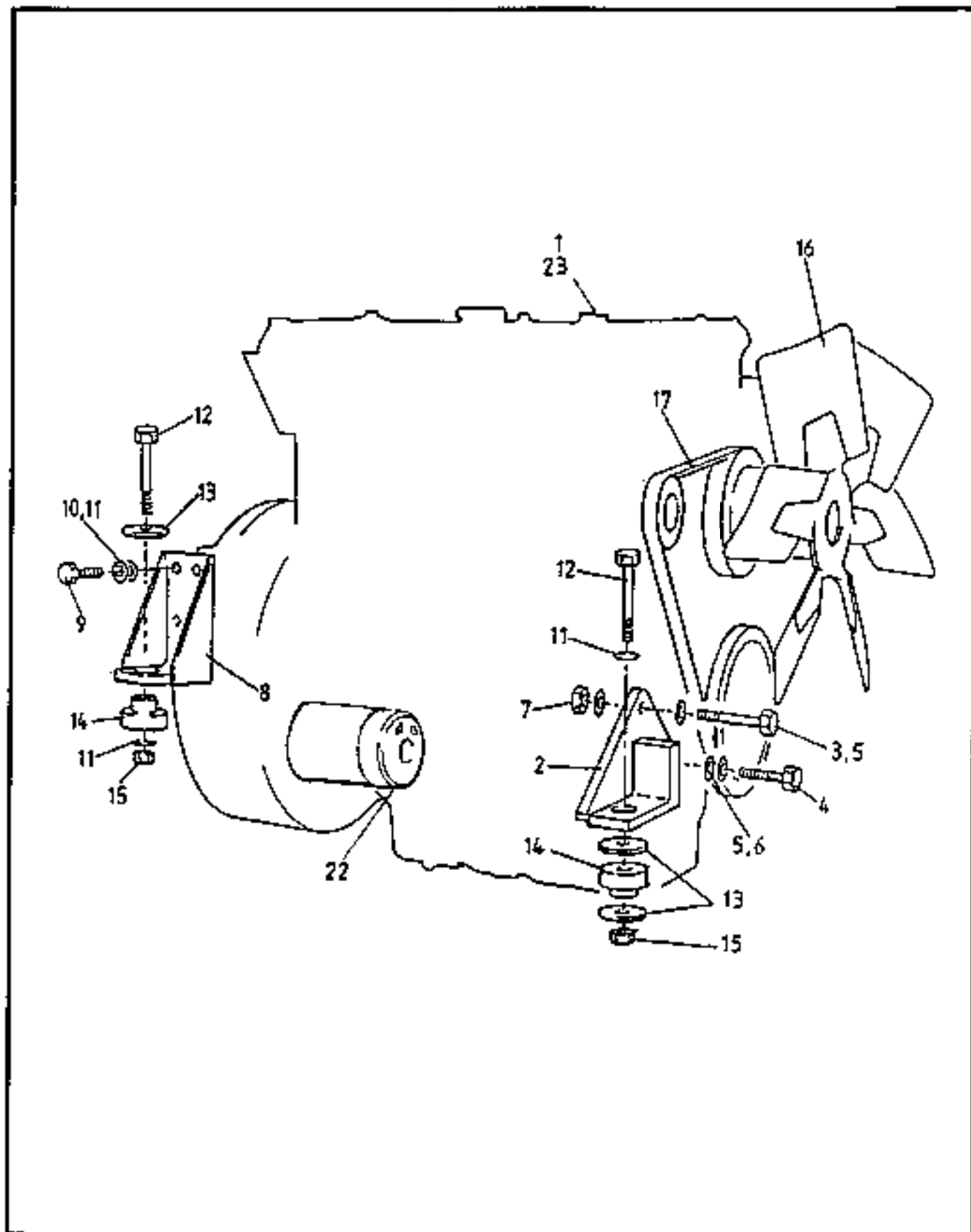


PLUNGER RAM (S8960816) - INTERNAL BREAKDOWN

PLUNGER RAM (58960816) - INTERNAL BREAKDOWN

ITEM	COMM. NO.	DESCRIPTION	QTY	DIMENSION / NOTES
--	58960816	Plunger Ram Assembly	2	
1	N.S.S.	-O-Ring	1	
2	58960857	-Gland Nut	1	
3	N.S.S.	-Rod Seal	1	
4	N.S.S.	-Wiper Seal	1	
5	58988510	-Circlip	1	
6	58960832	Piston Rod	1	
7	N.S.S.	-Piston Seal	1	
8	58960840	-Barrel Assembly	1	
--	58960824	Seal Kit (Includes Items 1, 3, 4, and 7)	1	

VR-50
PARTS MANUAL

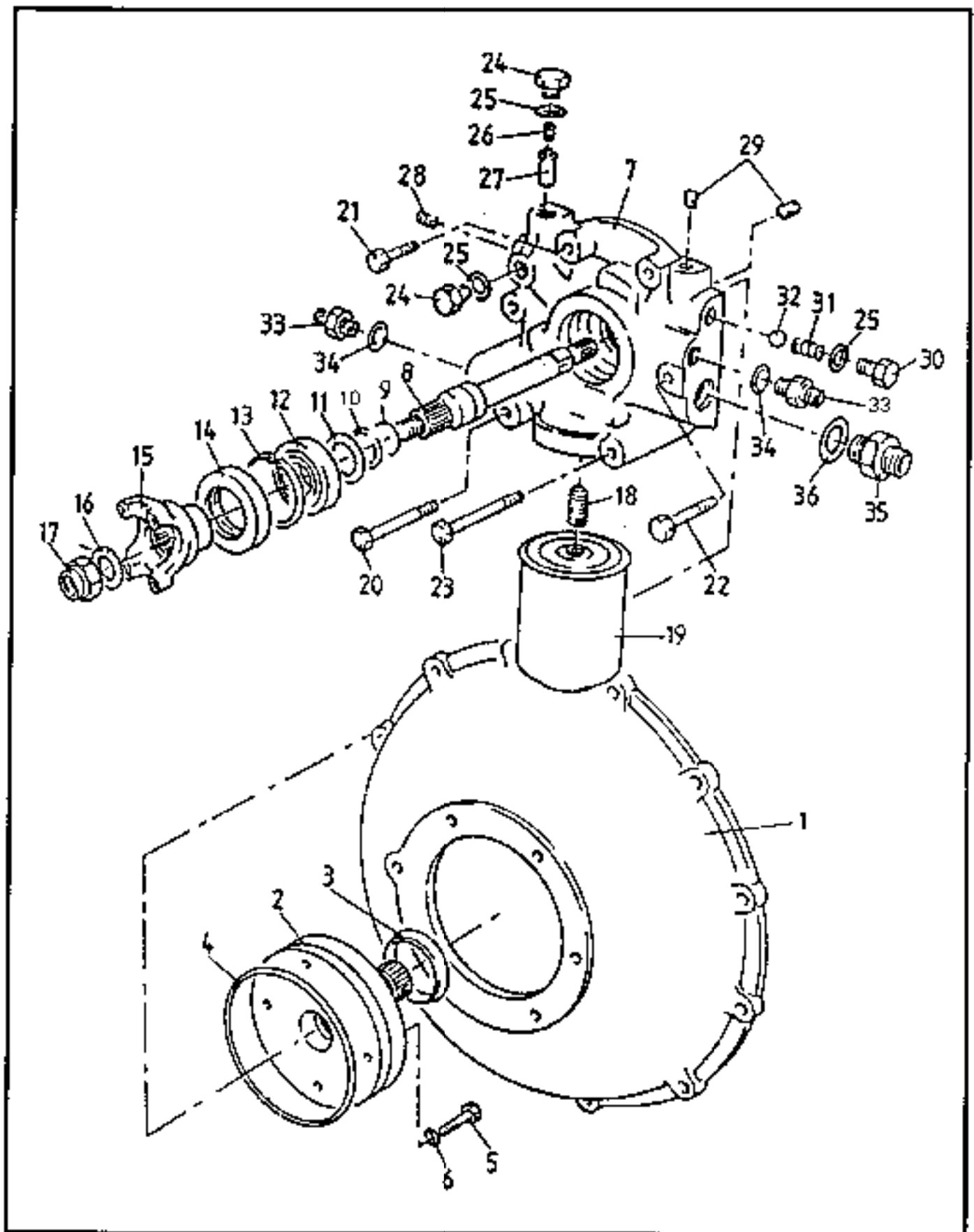


ENGINE AND MOUNTING

ENGINES AND MOUNTINGS

ITEM	COMM. NO.	DESCRIPTION	QTY	DIMENSION / NOTES
1	58982406	Engine Assembly - Non-Turbo	1	
-	58982414	Engine Assembly - Turbo	1	
2	58980160	Left Front Mounting Bracket	1	
-	58980178	Right Front Mounting Bracket	1	
3	58981572	Bolt	2	M16 x 80mm lg.
4	58982166	Screw	2	M16 x 45mm lg.
5	58981887	Flat Washer	4	M16
6	58981754	Lock Washer	2	M16
7	58981424	Self Locking Nut	2	M16
8	58980186	Rear Mounting Bracket	2	
9	58982174	Screw	8	1/2" UNC x 1 1/4" lg.
10	58981804	Lock Washer	8	1/2"
11	58981911	Flat Washer	12	1/2"
12	58982380	Bolt	4	1/2" UNF x 3 1/4" lg
13	58980194	Bumper Washer	6	
14	58958067	Flexible Mounting	4	
15	58982398	Self Locking Nut	4	1/2" UNF
16	58982430	Cooling Fan	1	Not Shown
17	58982448	Fan Belt	1	Not Shown
18	59438820	Oil Filter Element - Non-Turbo	1	Not Shown
-	59438820	Oil Filter Element - Turbo	1	Not Shown
19	58982455	Rocker Cover Gasket	1	Not Shown
20	58982463	Oil Filter Cap	1	Not Shown
21	58982471	Dipstick	1	Not Shown
22	59045245	Starter	1	Not Shown
23	59491662	Block Heater	1	Not Shown

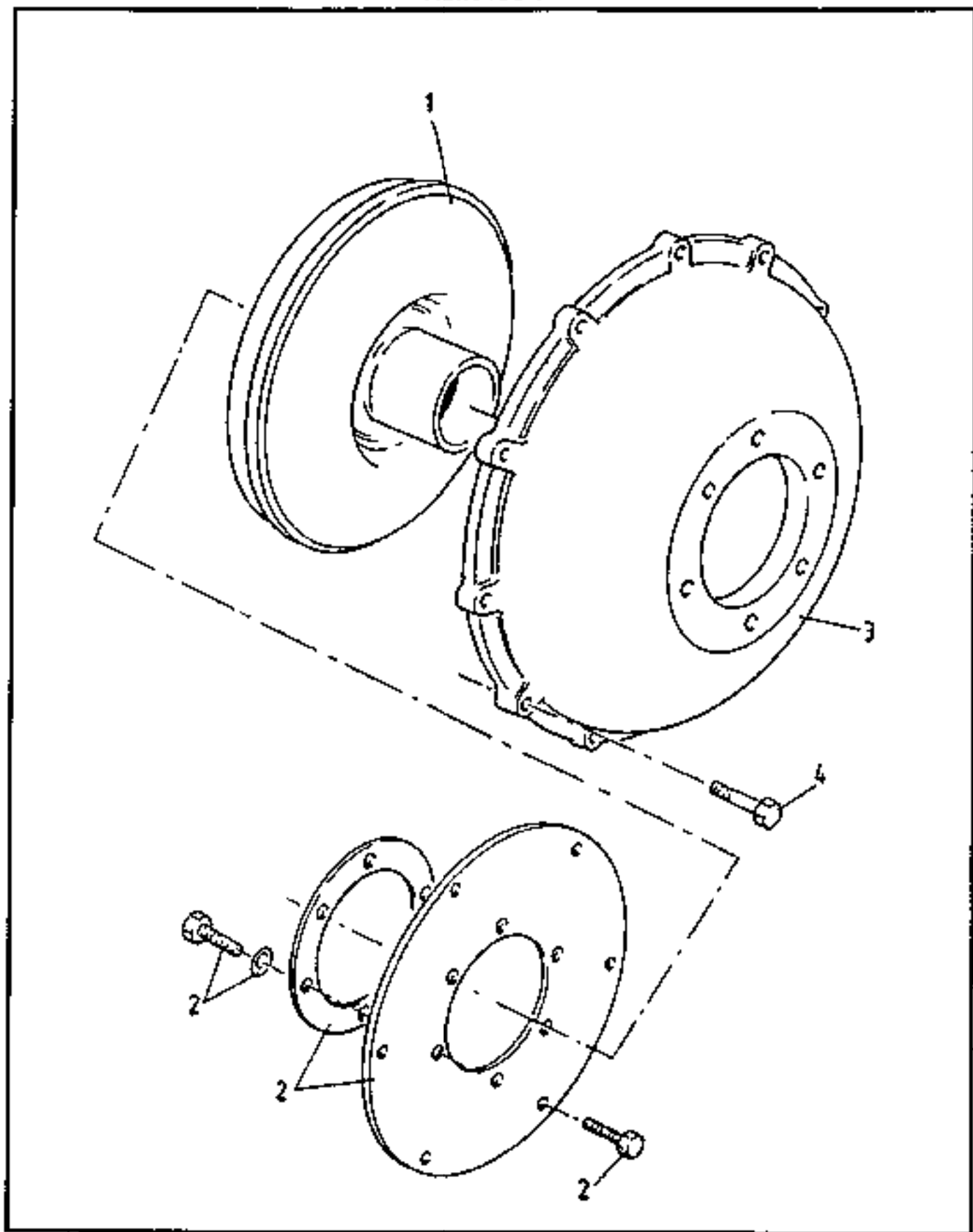
VR-50
PARTS MANUAL



CONVERTER HOUSING

CONVERTER HOUSING

ITEM	COMM. NO.	DESCRIPTION	QTY	DIMENSION / NOTES
**	58983909	Converter Housing	1	
1	58983917	-Housing	1	
2	58958794	-Oil Pump	1	
3	58958836	-Shaft Seal	1	
4	58958828	-Ring Seal	1	
5	58983925	-Bolt	4	
6	58983933	-Seal Washer	4	
7	58983941	-Valve Housing	1	
8	58983958	-Drive Shaft	1	
9	58983966	-Ring Seal	1	
10	58983974	-Circlip	1	
11	58983982	-Support Washer	1	
12	58983990	-Ball Bearing	1	
13	58981291	-Circlip	1	
14	58958802	-Seal	1	
15	58984014	-Yoke	1	
16	58984022	-Washer	1	
17	58984030	-Stake Nut	1	
18	58984048	-Filter Adapter	1	
19	58958810	-Oil Canister Filter	1	
20	58984055	-Bolt	1	
21	58984063	-Bolt	3	
22	58984071	-Bolt	1	
23	58984089	-Bolt	1	
24	58984097	-Plug	2	
25	58984105	-Seal Washer	3	
26	58984113	-Spring	1	
27	58984121	-Spool	1	
28	58984139	-Plug	1	
29	58984147	-Plug	2	
30	58984154	-Plug	1	
31	58984162	-Spring	1	
32	58984170	-Ball	1	
33	58980616	-Adapter	2	
34	58980624	-Bonded Seal	2	
35	58980640	-Adapter	1	
36	58980632	-Bonded Seal	1	

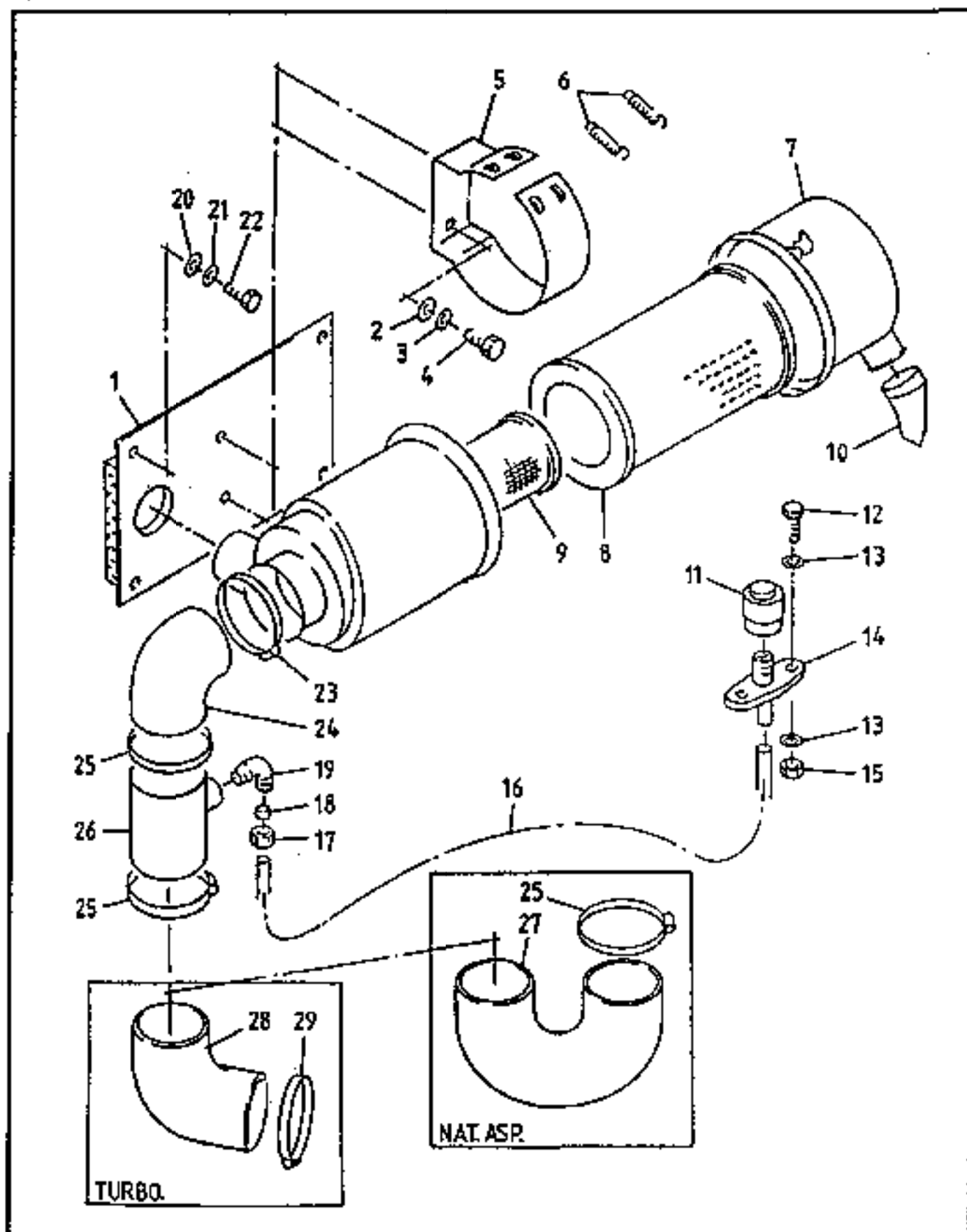


CONVERTER

CONVERTER

ITEM	COMM. NO.	DESCRIPTION	QTY	DIMENSION / NOTES
**	58984188	Converter Assembly	1	
1	58958844	-Converter	1	
2	58958851	-Drive Plates Kit	1	
3	58983909	Converter Housing	1	
4	58984196	Bolt	12	

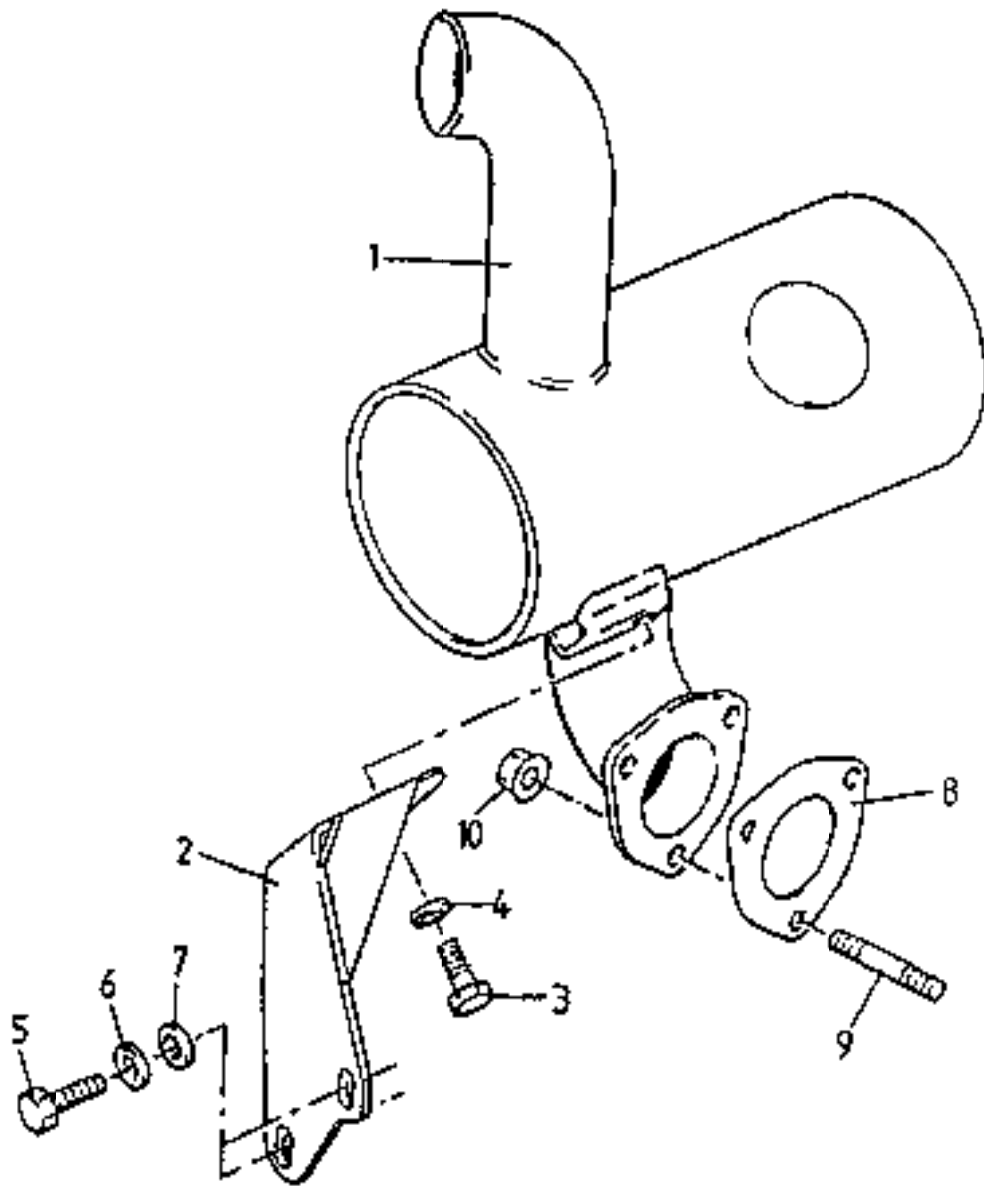
VR-50
PARTS MANUAL



AIR CLEANER

AIR CLEANER

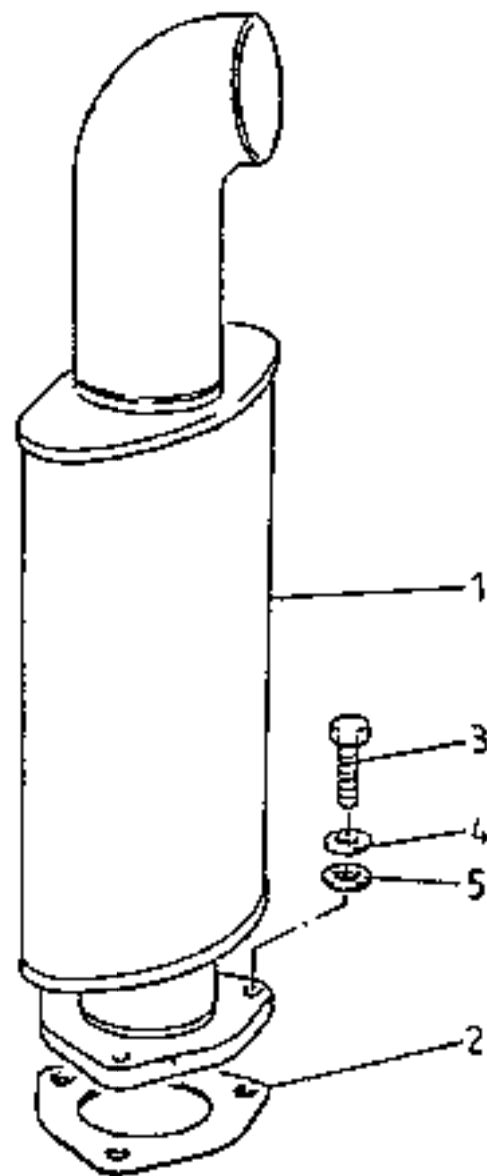
ITEM	COMM. NO.	DESCRIPTION	QTY	DIMENSION / NOTES
		<small>FOR AIR CLEANER</small>		
1	58980004	Pre-filter Plate	1	
2	58981846	Flat Washer	2	M8
3	58981713	Lock Washer	2	M8
4	58982018	Screw	2	M8 x 16mm lg.
-	58982349	Air Cleaner Assembly	1	
5	58982281	-Mounting Band	1	
6	58982299	-Mounting Band Spring	1	
7	58982307	-Cover Assembly	1	
8	58961103	-Main Filter Element	1	
9	58961111	-Safety Filter Element	1	
10	58982331	-Vacuator Valve	1	
11	58958026	Air Restrictor Indicator	1	
12	58981978	Screw	2	M6 x 20mm lg.
13	58981838	Flat Washer	4	M6
14	58980012	Adaptor	1	
15	58951382	Self Locking Nut	2	M6
16	58980020	Nylon Tube	1	5/16" x 138" (3.5 m)
17	58980038	Tube Nut	1	
18	58980046	O-Ring	1	
19	58980053	Elbow Adapter (Includes Items 17 and 18)	1	
20	58981853	Flat Washer	4	M10
21	58980061	Lock Washer	4	M10
22	58982273	Screw	4	M10 x 16mm lg.
23	58980103	Hose Clamp	1	
23	58958018	Elbow Hose	1	
25	58980079	Hose Clamp	3	
26	58980087	Connecting Pipe	1	
27	58980095	U-Hose	1	Non-Turbo Engine
28	58958034	Elbow Hose	1	Turbo Engine
29	58980111	Hose Clamp	1	



EXHAUST SYSTEM - NON-TURBO

EXHAUST SYSTEM - NON TURBO

ITEM	COMM. NO.	DESCRIPTION	QTY	DIMENSION / NOTES
1	59070474	Muffler	1	
2	58980129	Muffler Support Bracket	1	
3	58982364	Screw	1	3/8 "UNF x 3/4" lg.
4	58981788	Lock Washer	1	3/8"
5	58982075	Screw	2	M10 x 30mm lg.
6	58981721	Lock Washer	2	M10
7	58981853	Flat Washer	2	M10
8	58980137	Gasket	1	
9	58980145	Stud	3	
10	58980152	Flanged Nut	3	

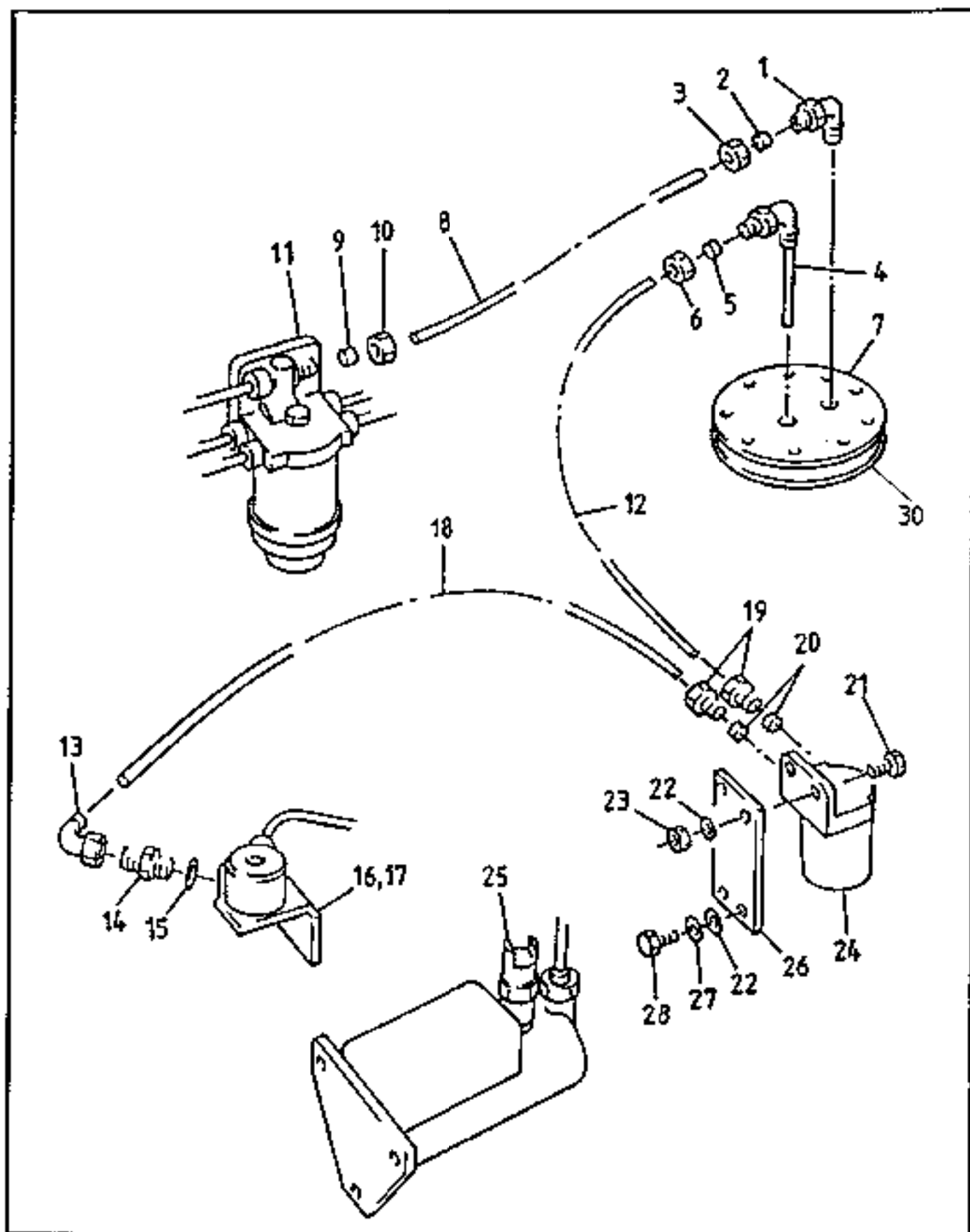


EXHAUST SYSTEM - TURBO

EXHAUST SYSTEM - TURBO

ITEM	COMM. NO.	DESCRIPTION	QTY	DIMENSION / NOTES
1	59070482	Muffler	1	
2	58958059	Gasket	1	
3	58982364	Screw	3	M10 x 25mm lg.
4	58981721	Lock Washer	3	M10
5	58981853	Flat Washer	3	M10

VR-50
PARTS MANUAL

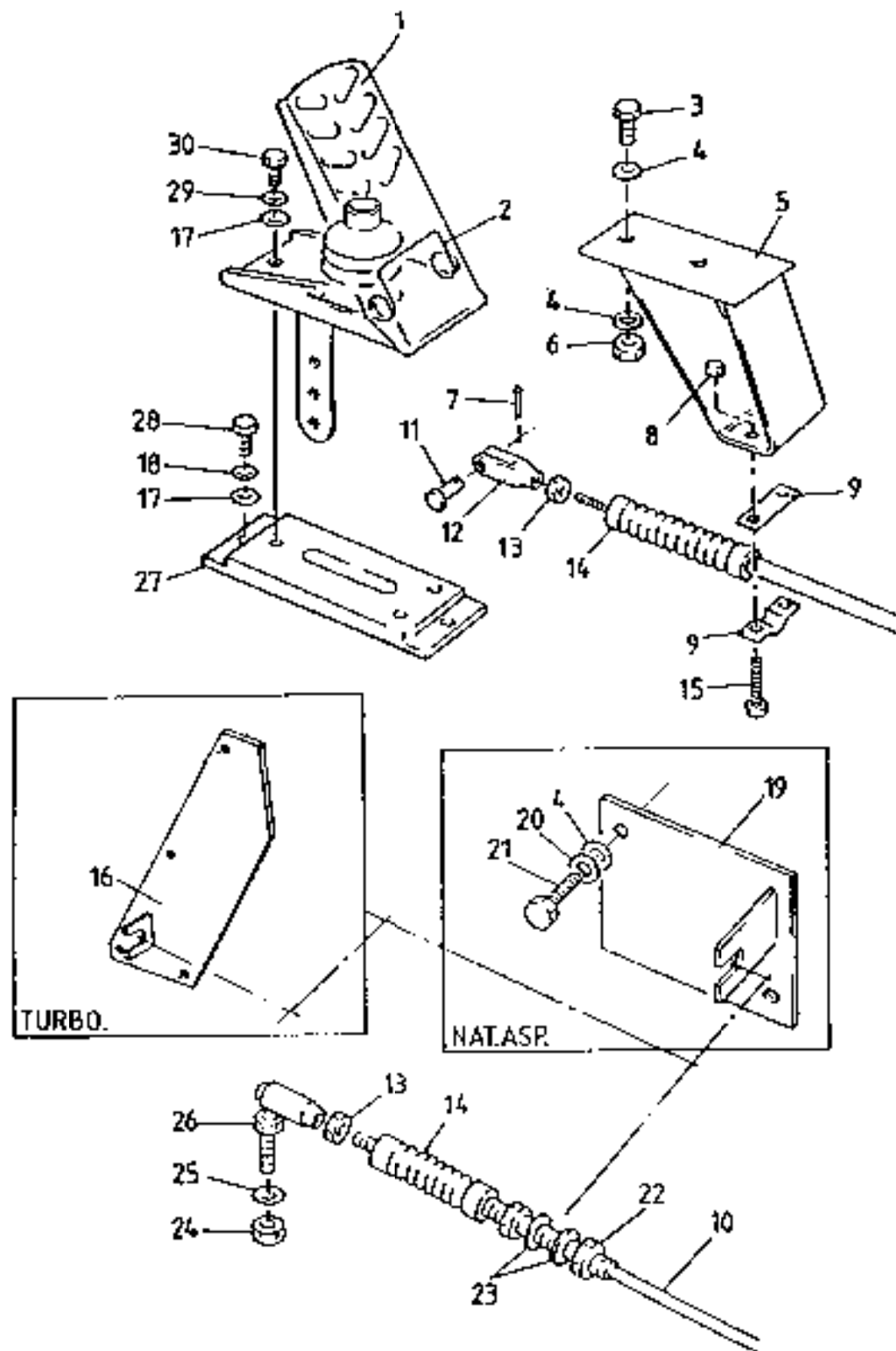


FUEL SYSTEM

FUEL SYSTEM

ITEM	COMM. NO.	DESCRIPTION	QTY	DIMENSION / NOTES
1	58980202	Elbow Adapter	1	
2	58980210	-O-Ring	1	
3	58980228	-Tube Nut	1	
4	58980236	Stand Pipe Assembly	1	
5	58980046	-O-Ring	1	
6	58980038	-Tube Nut	1	
7	58982505	Cover Plate	1	
8	58980277	Nylon Tube	1	1/4" x 157" (4 m)
9	58980285	O-Ring	1	
10	58980293	Tube Nut	1	
11	59518563	Fuel Filter Element	1	
12	58980020	Nylon Tube	1	5/16" x 118" (3 m)
13	58980244	Elbow Adapter	1	
14	58980251	Adapter Assembly	1	
15	58980269	-Seal Ring	1	
16	58958109	Fuel Lift Pump	1	
17	58982513	Fuel Lift Pump Service Kit	1	
18	58980301	Nylon Tube	1	5/16" x 10" (0.25 m)
21	58982075	Screw	2	M10 x 30mm lg.
22	58981853	Flat Washer	4	M10
23	58981408	Self Locking Nut	2	M10
24	58982406	Water Trap	1	
-	58958125	-Glass Bowl	1	Not Shown
25	58958117	Fuel Shutoff Valve	1	
26	58980319	Mounting Plate	1	
27	58981721	Flat Washer	2	M10
28	58982364	Screw	2	M10 x 25mm lg
29	58980327	Tube Retaining Clip	1	
30	58959776	Gasket, Cover Plate	1	

VR-50
PARTS MANUAL.

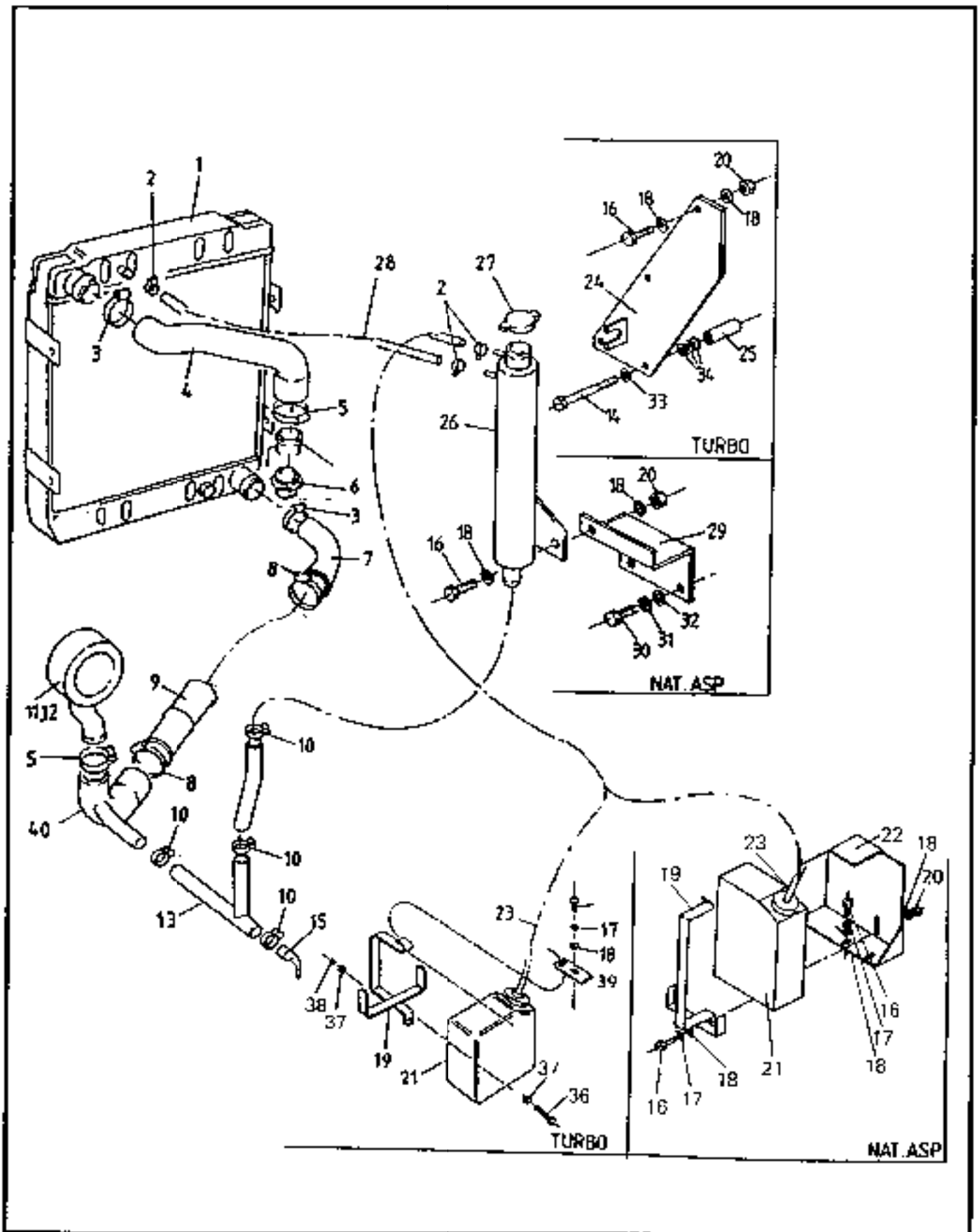


THROTTLE LINKAGE

THROTTLE LINKAGE

ITEM	COMM. NO.	DESCRIPTION	QTY	DIMENSION / NOTES
1	58958281	Throttle Pedal		
2	58958232	Spring		
3	58982026	Screw	2	M8 x 20mm lg.
4	58981846	Flat Washer	4	M8
5	58980491	Throttle Cable Bracket	1	
6	58981390	Self Locking Nut	2	M8
7	58982638	Cotter Pin	1	
8	58982596	Self Locking nut	2	10/31" UNF
9	58980509	Clamp Assembly		
10	58958240	Cable Assembly (Includes Items 13,14, 22, and 23)	1	
11	58980558	Clevis Pin		
12	58958257	Clevis Assembly (Includes Items 7 and 11)	1	
13	58982604	Thin Nut	4	10/32" UNF
14	58980517	Rubber Gaiter	2	
15	58982646	Screw	2	Pan Head 10/32" UNF x 3/4"
16	N.S.S	Throttle Cable Bracket	1	
17	58981838	Flat Washer	5	M6
18	58981705	Lock Washer	2	M6
19	58982687	Throttle Cable Bracket	1	
20	58981713	Lock Washer	2	M8
21	58982018	Screw	2	M8 x 16mm lg.
22	58982612	Thin Nut	2	7/16" UNF
23	58982653	Shakeproof Washer	2	7/16"
24	58982620	Thin Nut	1	1/4" UNF
25	58982661	Shakeproof Washer	1	1/4"
26	58958265	Ball Joint (Includes Items 24 and 25)	1	
27	58980525	Mounting Plate	1	
28	58981978	Screw	2	M6 x 20mm lg.
29	58982679	Shakeproof Washer	3	M6
30	58981960	Screw	3	M6 x 16mm lg.

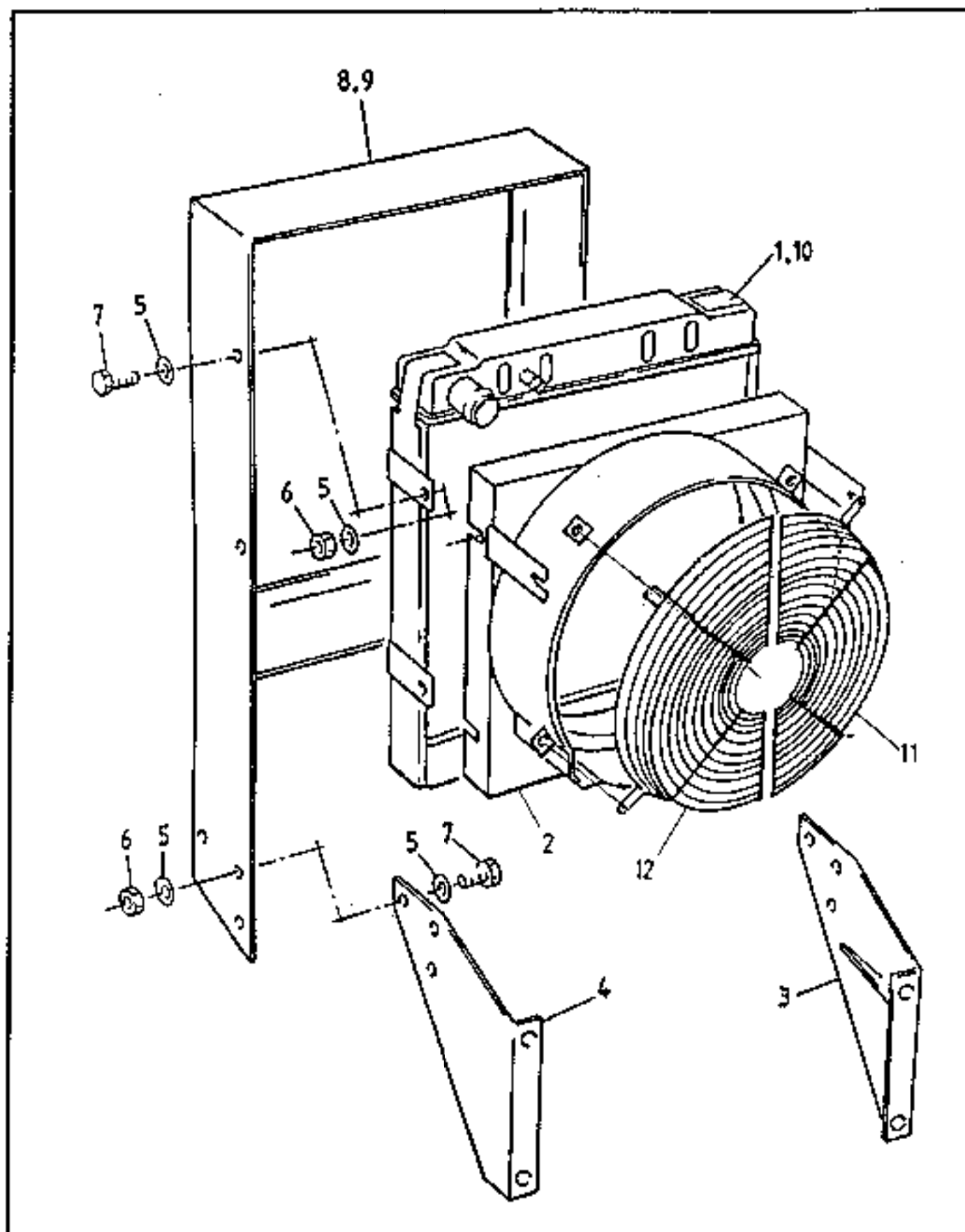
VR-50
PARTS MANUAL



COOLING SYSTEM

COOLING SYSTEM

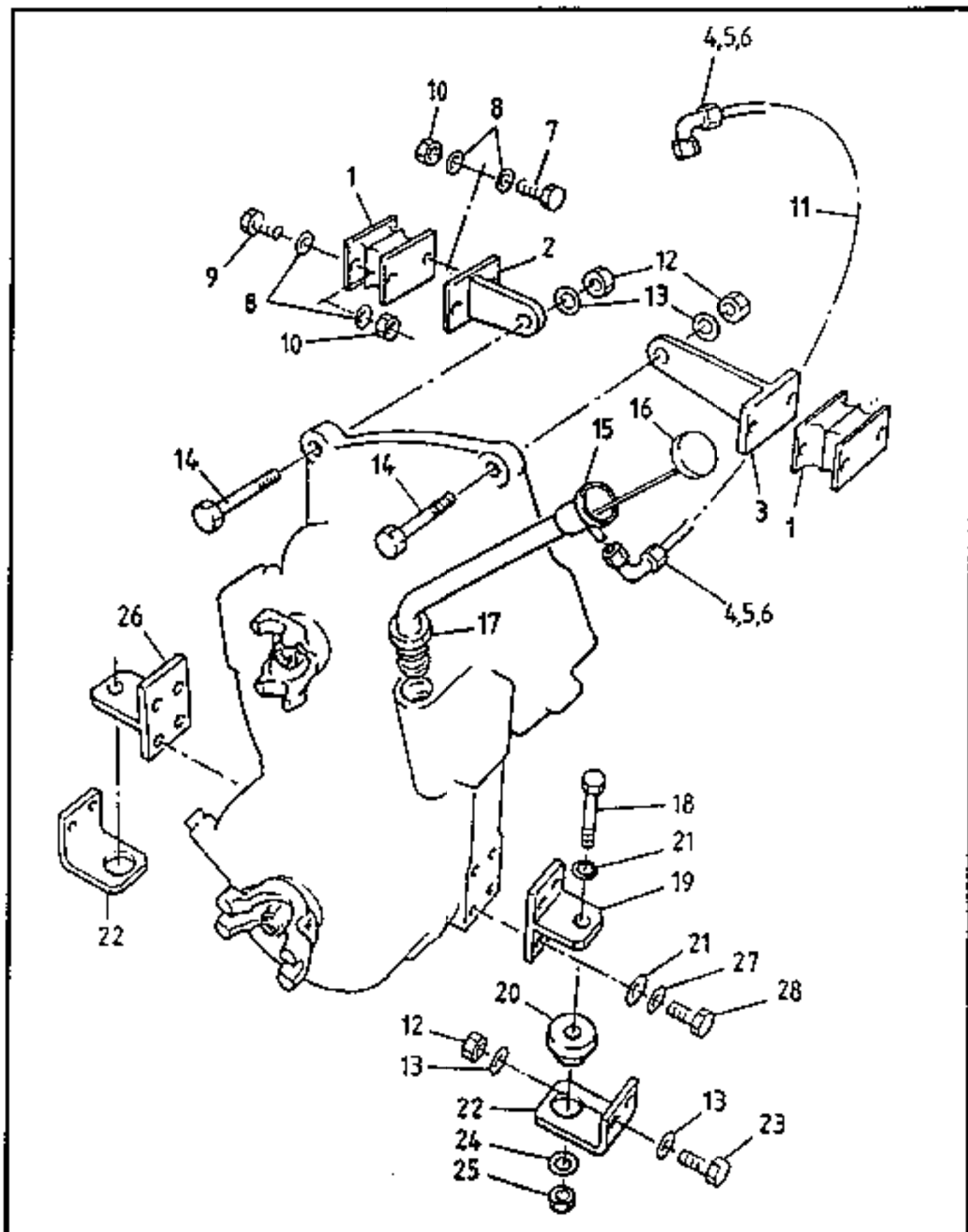
ITEM	COMM. NO.	DESCRIPTION	QTY	DIMENSION / NOTES
		<small>Ref. COOLING</small>		
1	58958216	Radiator Assembly	1	
2	58982539	Hose Clamp	3	
3	58982547	Hose Clamp	2	
4	58958133	Top Radiator Hose	1	
5	58982554	Hose Clamp	2	
6	58958141	Thermostat	1	
7	59004465	Radiator Hose - Inside	1	
8	58980111	Hose Clamp	2	
9	58958299	Oil Cooler	1	
10	58980533	Hose Clamp	2	
11	58982562	Water Pump	1	
12	58958166	Water Pump Repair Kit	1	
13	58958174	Pipe, Heater and Filler	1	
14	58981473	Bolt	3	M6 x 80mm lg.
15	58980335	Heater Hose Elbow	1	
16	58982026	Screw	4	M8 x 20mm lg.
17	58981713	Lock Washer	4	M8
18	58981846	Flat Washer	9	M8
19	58980343	Expansion Bottle Retaining Bracket	1	Turbo
20	58981390	Self Locking Nut	2	M8
21	58958182	Expansion Bottle	1	
22	58980350	Expansion Bottle Mounting Plate	1	Non-Turbo
23	58980368	Overflow Tube	1	
24	58980376	Bottle Filler Bracket	1	Turbo
25	58980384	Spacer Tube	3	
26	58958208	Filler Bottle	1	
27	58958190	Filler Bottle Cap	1	
28	58980392	Hose	1	30' (0.75 m) lg
29	58980400	Filler Bottle Bracket	1	Non-Turbo
30	58982570	Screw	2	3/8" UNC x 3/8" lg.
31	58981788	Lock Washer	2	3/8"
32	58982588	Flat Washer	2	3/8"
33	58981705	Lock Washer	3	M6
34	58981838	Flat Washer	15	M6
35	58982018	Screw	1	M8 x 16mm lg.
36	58982091	Screw	1	M10 x 40mm lg.
37	58981853	Flat Washer	2	M10
38	58981408	Self Locking Nut	1	M10
39	58980418	Bracket	1	
40	59004473	Radiator Hose - Outside	1	



RADIATOR ASSEMBLY

RADIATOR ASSEMBLY

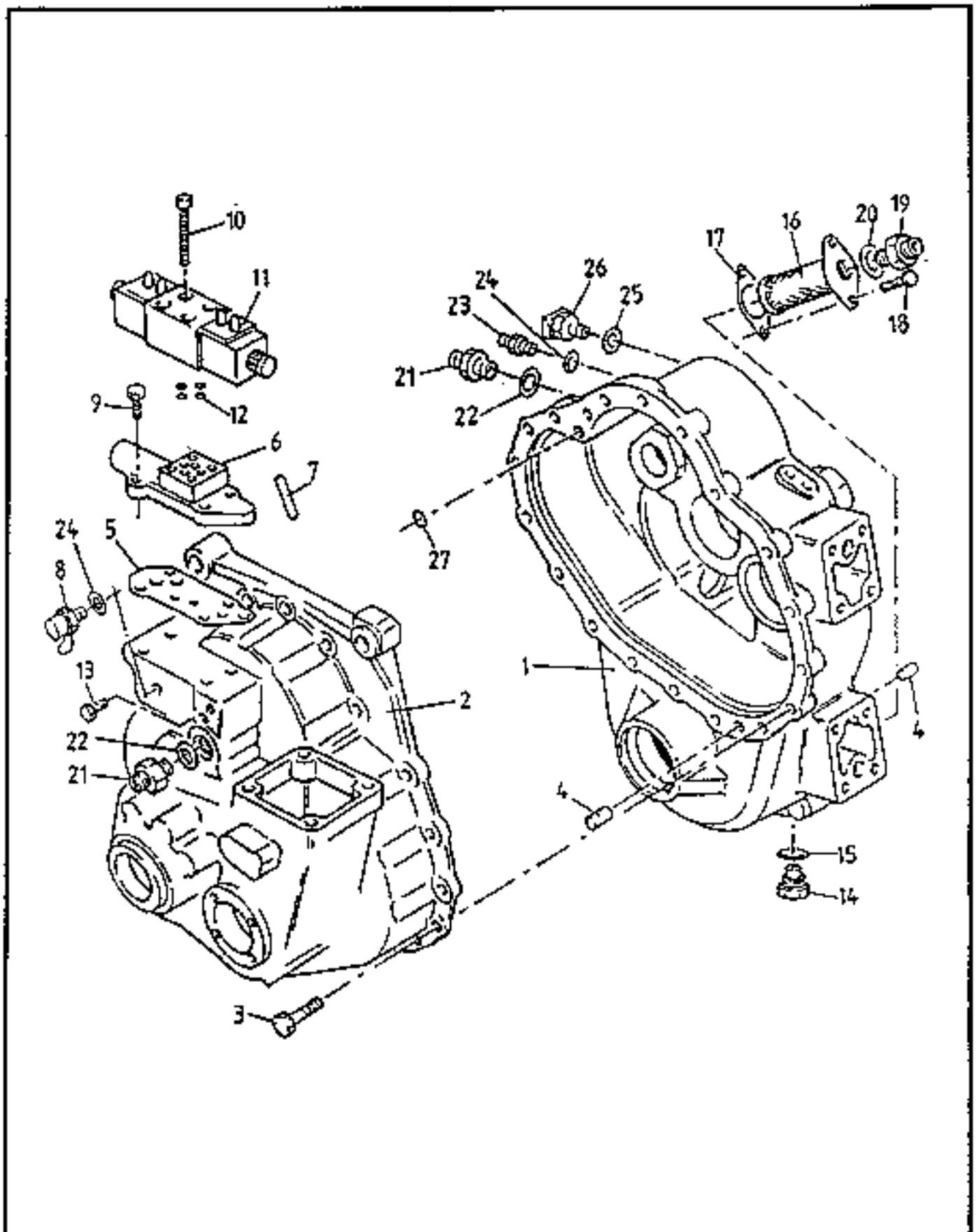
ITEM	COMM. NO.	DESCRIPTION	QTY	DIMENSION / NOTES
1	58958216	Radiator Assembly		
2	59070490	Fan Cowling		
3	58980426	Mounting Bracket	1	Left Wing
4	58980434	Mounting Bracket	1	Right Wing
5	58981853	Flat Washer	20	M10
6	58981408	Self Locking Nut	10	M10
7	58982075	Screw	10	M10 x 30mm lg.
8	58980442	Radiator Mounting Frame	1	
9	58980459	Radiator Sealing Kit	1	
-	58980467	-Sponge Strip	2	
-	58980475	Sponge Strip	2	
10	58980483	-Radiator Drain Tap	1	
11	59070508	Fan Guard, LH	1	
12	59070516	Fan Guard, RH	1	



TRANSMISSION AND MOUNTING

TRANSMISSION AND MOUNTING

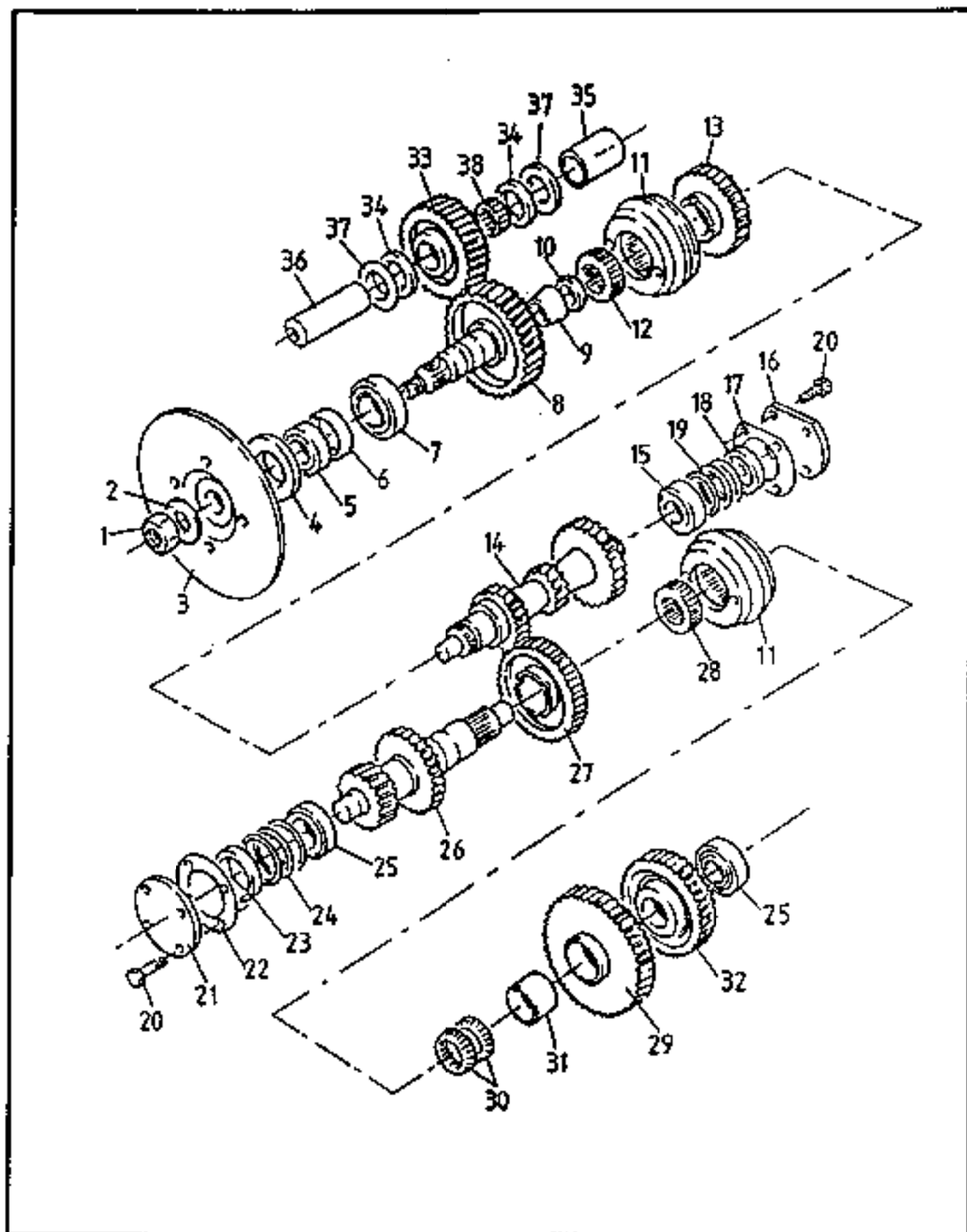
ITEM	COMM. NO.	DESCRIPTION	QTY	DIMENSION / NOTES
**	58980814	Transmission (Remote Assembly)	1	
1	58958547	Sandwich Mounting	2	
2	58980822	Mounting Bracket	1	
3	58980830	Mounting Bracket	1	
4	58982745	Tube Nut	4	
5	58980210	O-Ring	4	
6	58980848	Elbow (Includes Items 4 and 5)	2	
7	58982075	Screw	4	M10 x 30mm lg.
8	58981853	Flat Washer	8	M10
9	58982091	Screw	4	M10 x 40mm lg.
10	58981408	Self Locking Nut	8	M10
11	58980855	Nylon Tube	1	1/4" x 30" (0.75 m)
12	58981424	Self Locking Nut	6	M16
13	58981754	Flat Washer	10	M16
14	58981564	Bolt	2	M16 X 70mm lg.
15	58980863	Dipstick Tube	1	
16	58958554	Dipstick	1	
17	58958562	Adapter and Seal Assembly	1	
18	58981531	Bolt	2	M12 x 75mm lg.
19	58980871	Mounting Bracket	1	
20	58958570	Load Mounting	2	
21	58981861	Flat Washer	10	M12
22	58980889	Mounting Bracket	2	
23	58982752	Bolt	4	M16 x 60mm lg.
24	58982760	Special Washer	2	
25	58981416	Self Locking Nut	2	M12
26	58980897	Mounting Bracket	1	
27	58981739	Lock Washer	8	M12
28	58982133	Screw	8	M12 x 30mm lg.



TRANSMISSION CASING

TRANSMISSION CASING

ITEM	COMM. NO.	DESCRIPTION	QTY	DIMENSION / NOTES
		<small>Ref. TR1590</small>		
1	58980905	Front Casing	1	
2	58980913	Rear Casing	1	
3	58982075	Screw	18	M10 x 30mm lg.
4	58980921	Dowel	4	
5	58980939	Gasket	1	
6	58980947	Block Assembly Adapter	1	
7	58980954	-Breather Tube	1	
8	58980962	Pressure Test Point	1	
9	58981986	Screw	4	M6 x 25mm lg.
10	58982778	Screw	4	M5 x 50mm lg.
11	58958612	Solenoid Valve		
12	58958588	-Seal Kit	1	
13	58980970	Plug	2	
14	58958620	Magnetic Drain Plug	1	
15	58980988	Bonded Seal	1	
16	58958638	Suction Strainer	1	
17	58980996	Gasket	1	
18	58982018	Screw	2	M8 x 16mm lg.
19	58980640	Adapter	1	
20	58980632	Bonded Seal	1	
21	58980616	Adapter	2	
22	58980624	Bonded Seal	2	
23	58981002	Pressure Tube Adapter	1	
24	58981010	Seal	1	
25	58981028	Seal	1	
26	59638478	Oil Pressure Switch	1	
27	58981036	O-Ring	2	

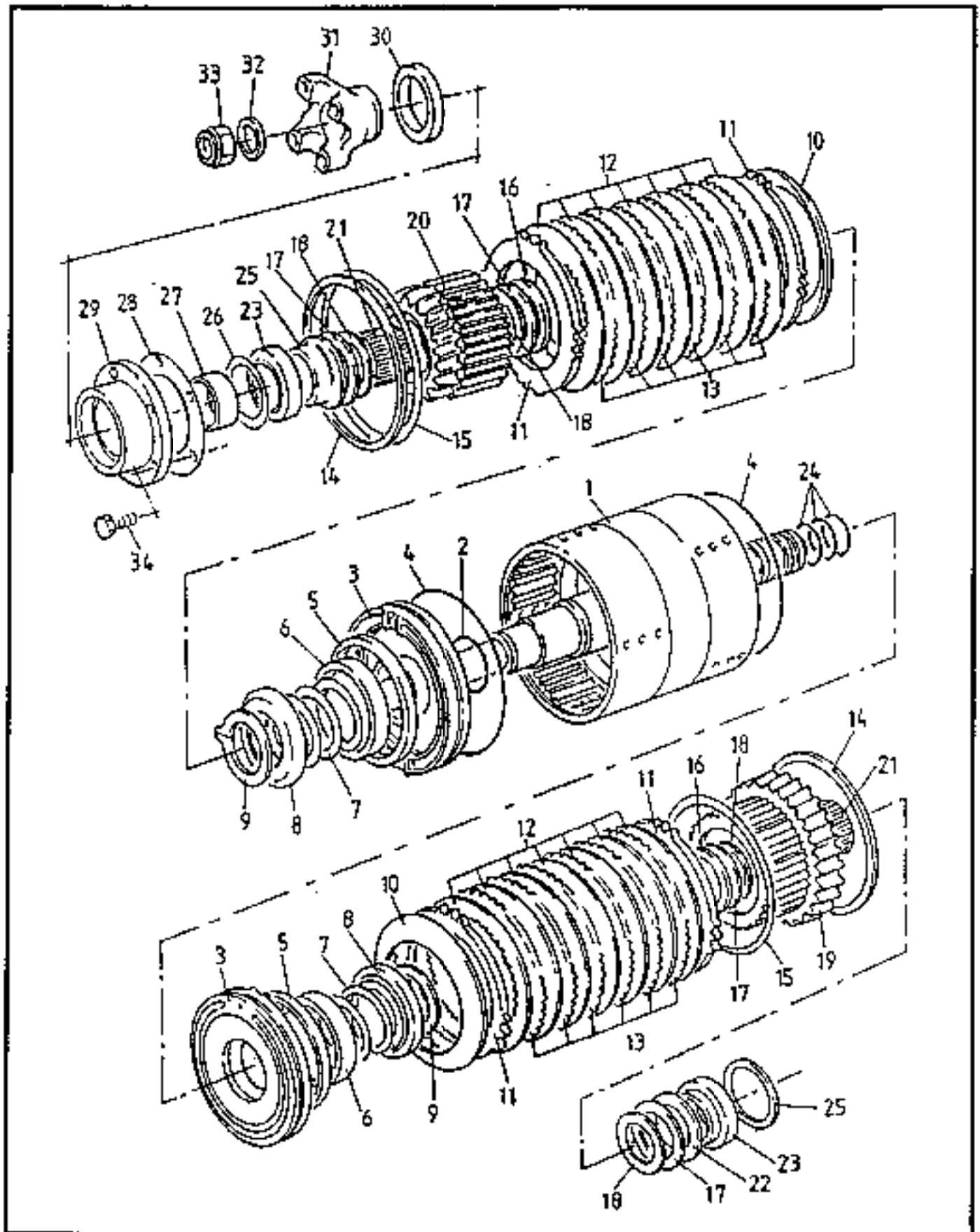


TRANSMISSION - INTERNAL COMPONENTS

TRANSMISSION - INTERNAL COMPONENTS

ITEM	COMM. NO.	DESCRIPTION	QTY	DIMENSION / NOTES
1	58958695	Nut	1	
2	58982836	Washer	1	
3	58982844	Disc Flange	1	
4	58958687	Seal	1	
5	58982851	Bearing	1	
6	58982869	Collapsible Spacer	1	
7	58982877	Bearing	1	
8	58982885	Gear	1	36 Tooth
9	58982893	Bearing	1	
10	58982901	Thrust Washer	1	
11	58982919	Synchronizer Assembly	2	
12	58982927	Sleeve	1	
13	58982935	Gear	1	31 Tooth
14	58982943	Main Shaft	1	
15	58982950	Bearing	1	
16	58982968	Cover	1	
17	58982976	Gasket	1	
18	58982984	Spacer	1	
19	58982992	Shim Kit	1	
20	58982273	Bolt	8	M8 x 16mm lg.
21	58983008	End Cover	1	
22	58983016	Gasket	1	
23	58983024	Spacer	1	
24	58983032	Shim Kit	1	
25	58983040	Bearing	2	
26	58983057	Laysift	1	
27	58983065	Gear	1	40 Tooth
28	58983073	Hub Shaft Sleeve	1	
29	58983081	Gear	1	
30	58983099	Bearing	2	
31	58983107	Bearing	1	
32	58983115	Input Gear	1	
33	58983123	Idler Gear	1	35 Tooth
34	58983131	Bearing	2	
35	58983149	Spacer	1	
36	58983156	Idler Shaft	1	
37	58983164	Spacer	1	
38	58983172	Bearing	1	

VR-50
PARTS MANUAL

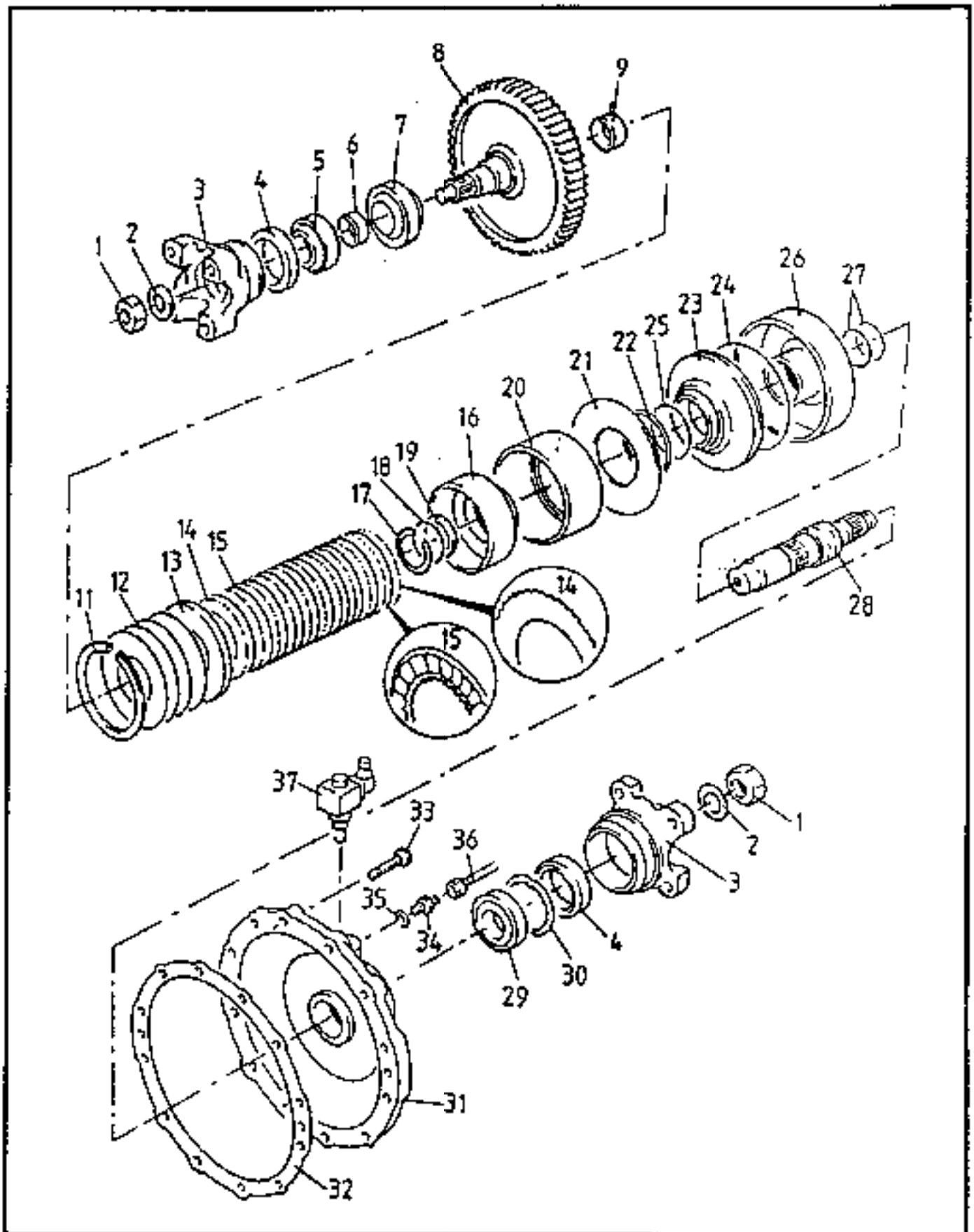


REVERSER UNIT

REVERSER UNIT

ITEM	COMM. NO	DESCRIPTION	QTY	DIMENSION / NOTES
**	58958737	Reverser Unit	1	
1	58983180	-Clutch Housing	1	
2	58983198	-O-Ring	2	
3	58983206	-Piston	2	
4	58983214	-O-Ring	2	
5	58983222	-Piston Liner	2	
6	58983230	-Oil Baffle	2	
7	58983248	-Spring	2	
8	58983255	-Spring Retainer	2	
9	58983263	-Circlip	2	
10	58983271	-Disc Spring Assembly	4	
11	58983289	-Pressure Plate	4	
12	58983297	-Friction Plate	12	
13	58983305	-Counter Plate	10	
14	58983313	-Circlip	2	
15	58983321	-Shim Plate	1	
16	58983339	-Thrust Washer	2	
17	58983347	-Needle Bearing	4	
18	58983354	-Thrust Washer	4	
19	58983362	-Gear and Plate Support	1	
20	58983370	-Gear and Plate Support	1	
21	58983388	-Needle Bearing	2	
22	58983396	-Thrust Washer	1	
23	58983404	-Bearing	2	
24	58983412	-Seal Ring	3	
25	58983420	-Spacer	1	
26	58983438	Shim Kit	1	
27	58983446	Spacer	1	
28	58983453	Gasket	1	
29	58983461	Cover	1	
30	58958703	Seal	1	
31	58958711	Yoke	1	
32	58983479	Washer	1	
33	58958729	Stake Nut	1	
34	58983487	Screw	6	M10 x 20mm lg

VR-50
PARTS MANUAL

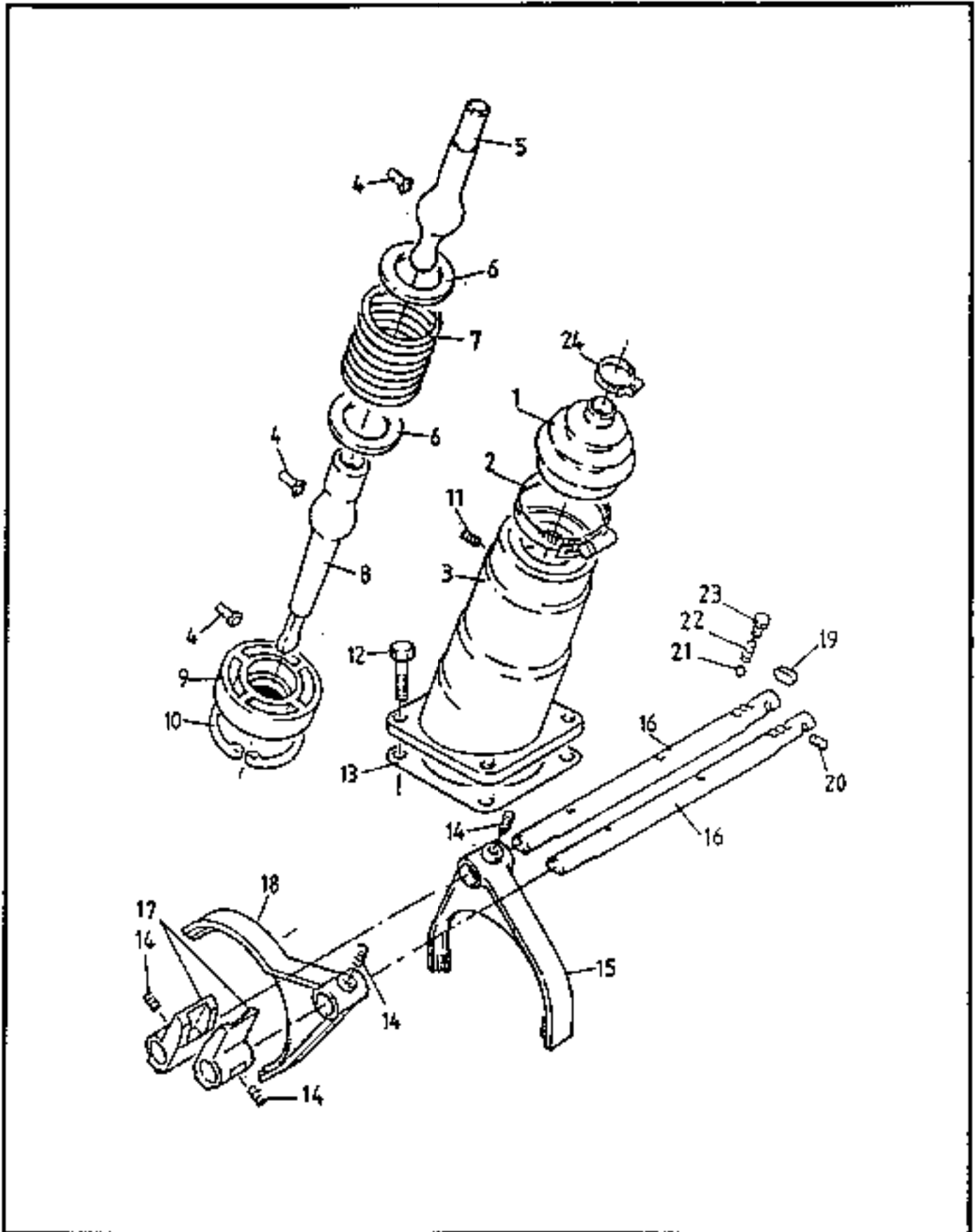


4-WD GEAR BOX

4-WD GEAR BOX

ITEM	COMM. NO.	DESCRIPTION	QTY	DIMENSION / NOTES
**	N.S.V.A	4-WD Gear Box	1	
1	58958661	-Nut	2	
2	58982786	-Washer	2	
3	58958646	-Yoke Flange	2	
4	58958653	-Seal	2	
5	58981044	-Bearing	1	
6	58981051	-Collapsible Spacer	1	
7	58981069	-Bearing	1	
8	58981077	-Output Gear	1	66 Tooth
9	58981085	-Needle Bearing	1	
10	58981093	-Clutch Pack	1	
11	58981101	-Circlip	1	
12	58981119	-Spring Disc	4	
13	58981127	-Pressure Plate	1	
14	58981135	-Counter Plate	11	
15	58981143	-Friction Plate	11	
16	58981150	-Actuating Sleeve	1	
17	58981168	-Circlip	1	External
18	58981176	-Support Washer	1	
19	58981184	-Spacer Kit	1	
20	58981192	-Clutch Drum	1	
21	58981200	-Spring Disc	1	
22	58981218	-Spring Ring	1	
23	58981226	-Piston	1	
24	58981234	-O-Ring	1	
25	58981242	-O-Ring	1	
26	58981259	-Piston Housing	1	
27	58981267	-Seal	2	
28	58981275	-Output Shaft	1	
29	58981283	Ball Bearing	1	
30	58981291	Circlip	1	
31	58981309	4-WD Clutch Cover	1	
32	58982794	Gasket	1	
33	58982075	Screw	12	M10 x 30mm lg.
34	58982802	Adaptor	1	
35	58982810	Seal	1	
36	58982828	Pipe	1	
37	58958679	Solenoid Valve	1	

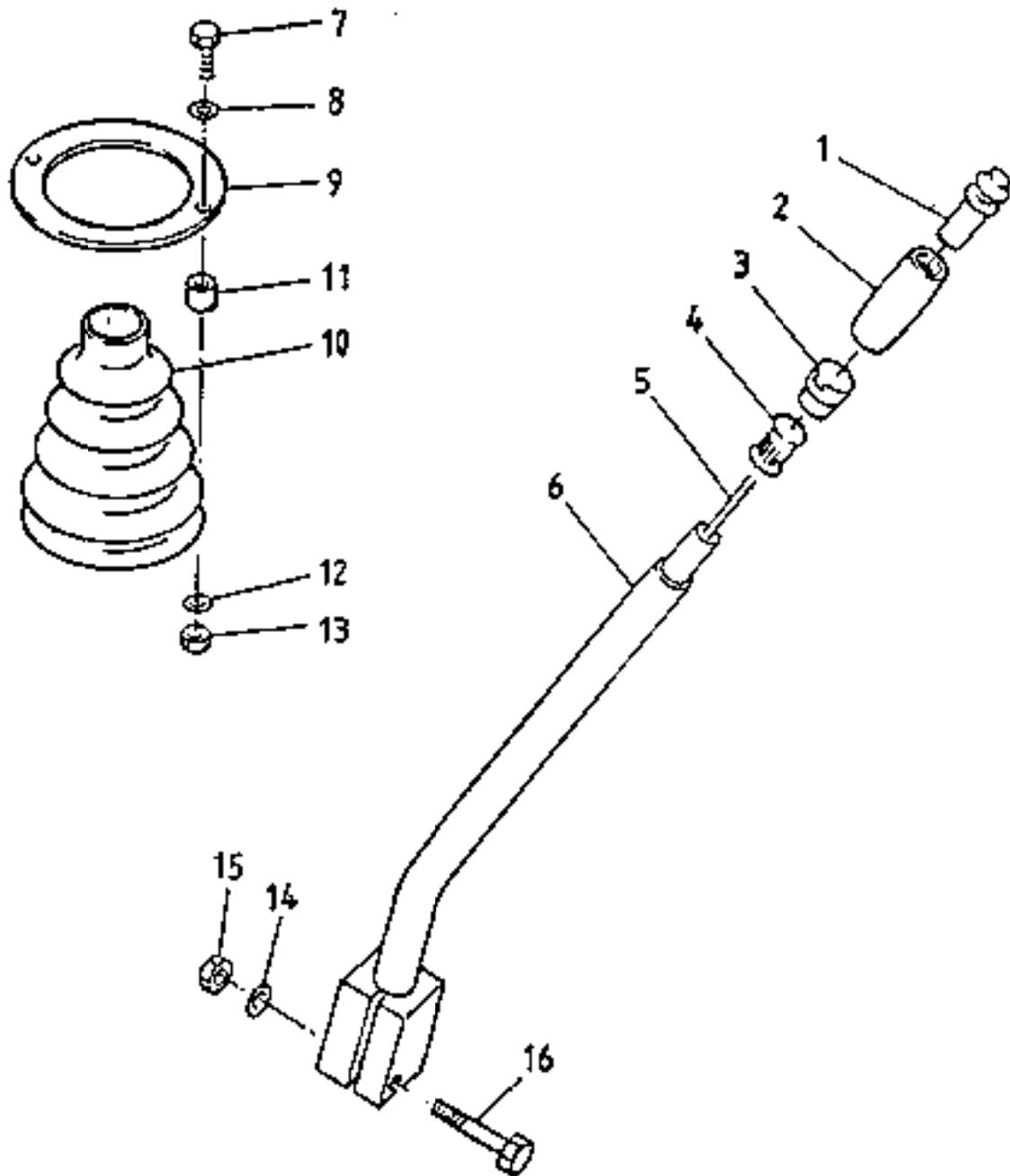
VR-50
PARTS MANUAL



GEAR CHANGE

GEAR CHANGE

ITEM	COMM. NO.	DESCRIPTION	QTY	DIMENSION / NOTES
		<small>REF GEAR CH</small>		
**	58983487	Gear Lever Turret Assembly	1	
1	58958745	-Rubber Gaiter	1	
2	58983503	-Clip	1	
3	58983511	-Housing	1	
4	58983529	-Pin	3	
5	58983537	-Gear Lever	1	
6	58983545	-Washer	2	
7	58958752	-Spring	1	
8	58983552	-Gear Lever	1	
9	58983560	-Seat	1	
10	58983578	-Circlip	1	
11	58983586	-Plug	4	
12	58983487	-Screw	4	M10 x 20mm lg
13	58983594	-Gasket	1	
14	58983602	Screw	4	
15	58983610	Selector Fork	1	
16	58983628	Selector Shaft	2	
17	58983636	Selector Block	2	
18	58983644	Selector Fork Roller	1	
19	58983651	Roller	1	
20	58983669	Plug	1	
21	58983677	Ball	2	
22	58983685	Detent Spring	2	
23	58983693	Detent Plug	2	
24	58983701	Clip	1	

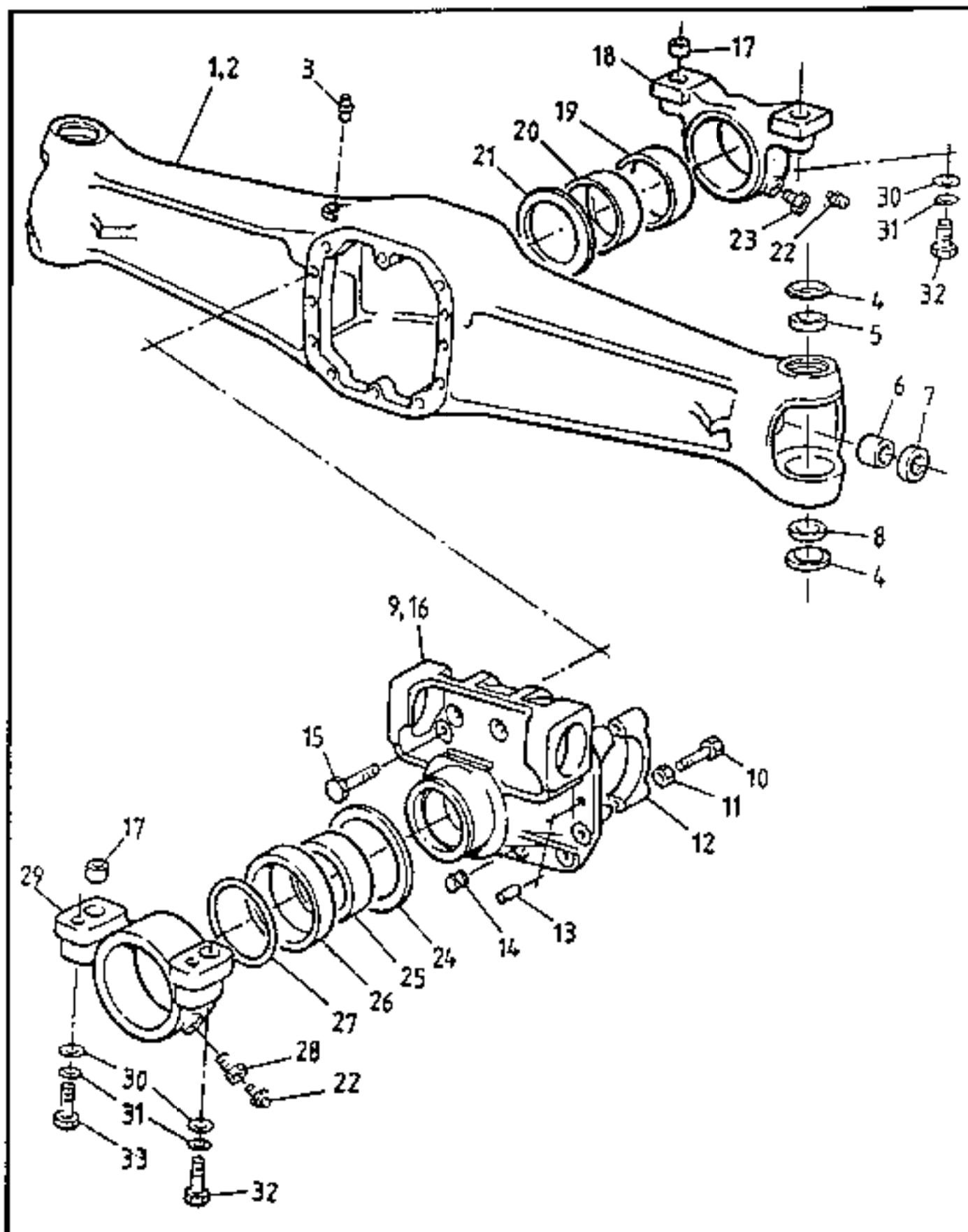


GEAR SHIFT LEVER

GEAR SHIFT LEVER

ITEM	COMM. NO.	DESCRIPTION	QTY	DIMENSION / NOTES
1	58958406	Switch		
2	58958414	Knob		
3	58980723	Socket		
4	58980731	Tolerance Ring		
5	58958422	Wiring Harness		
6	58958448	Gear Shift Lever		
7	58981986	Screw	2	M6 x 25mm lg.
8	58981705	Lock Washer	2	M6
9	58980749	Retainer Plate		
10	58958430	Gear Shift Lever		
11	N.S.S	Spacer		
12	58981838	Flat Washer	4	M6
13	58981382	Self Locking Nut	2	M6
14	58981853	Flat Washer	1	M10
15	58981408	Self Locking Nut	4	M10
16	58982091	Screw	1	M10 x 40mm lg

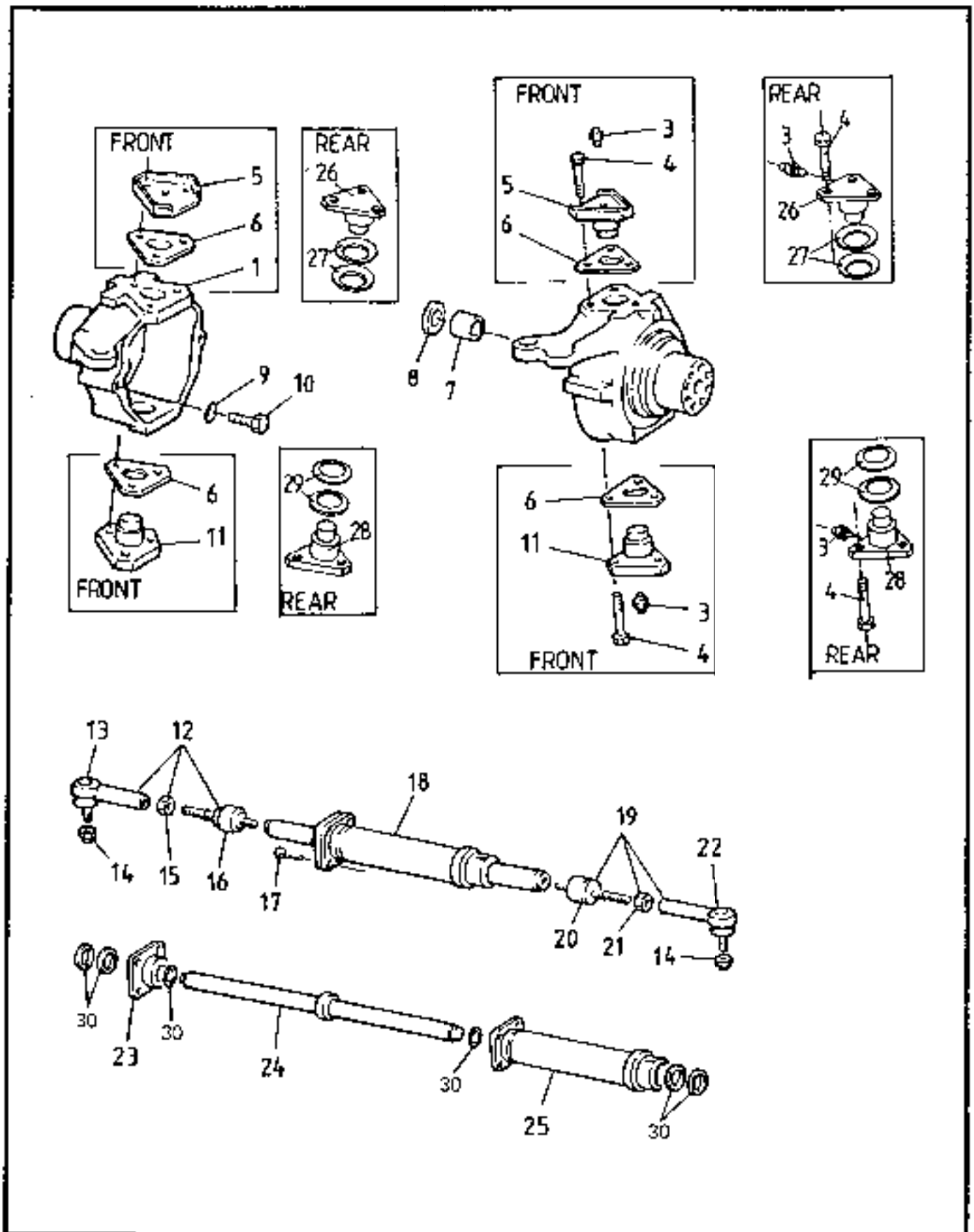
VR-50
PARTS MANUAL



AXLE HOUSING AND PIVOTS

AXLE HOUSING AND PIVOTS

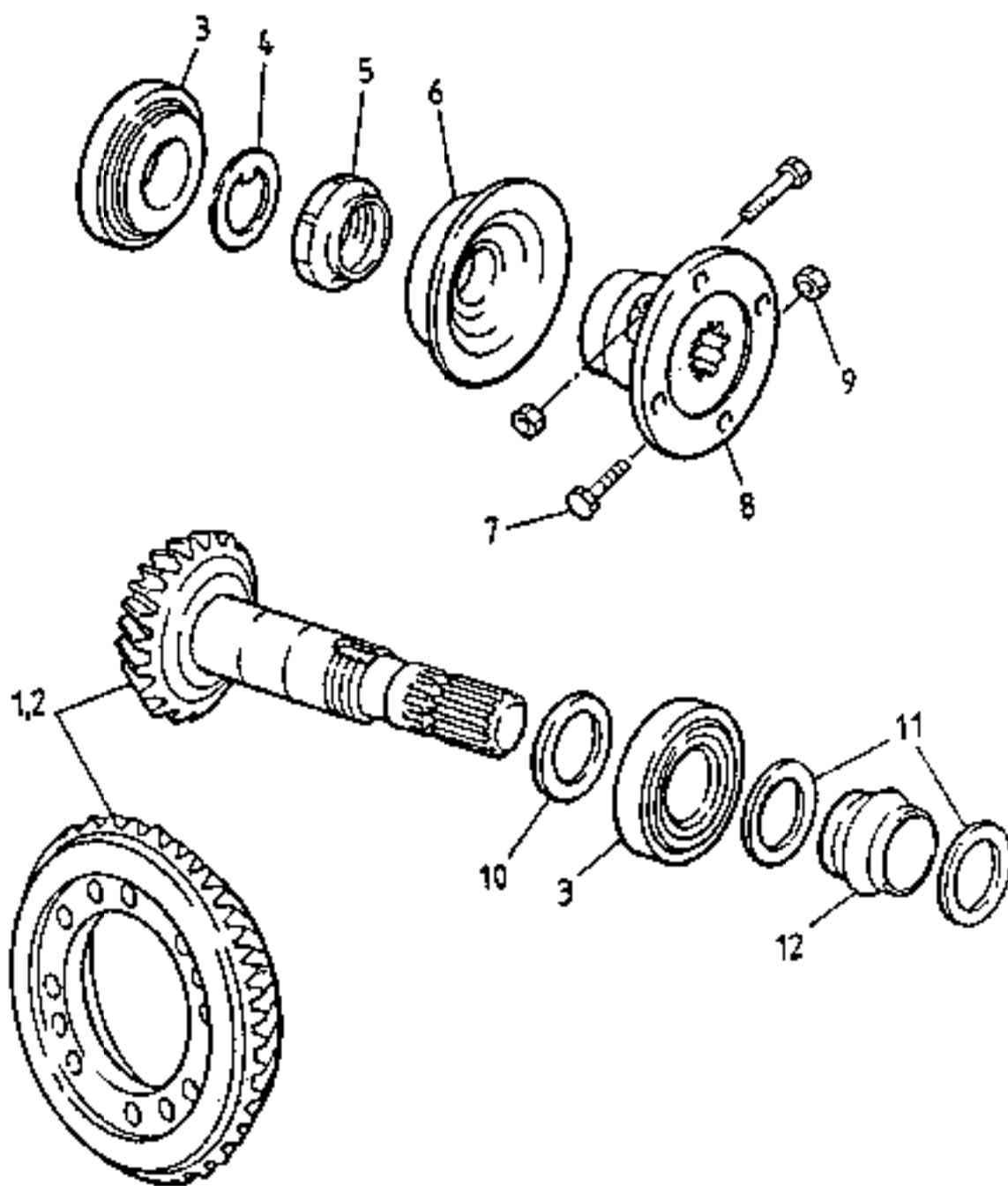
ITEM	COMM. NO.	DESCRIPTION	QTY	DIMENSION / NOTES
**	59070524	Front Axle Assembly	1	
**	59070532	Rear Axle Assembly	1	
1	58984204	Front Axle Housing	1	
2	58984212	Rear Axle Housing	1	
3	58958869	Breather	1	
4	58958877	Oil Seal	4	Front Axle Only
5	58958885	Bushing	2	
6	58984220	Bushing	2	
7	58958893	Oil Seal	2	
8	58958901	Spherical Bearing	2	
9	58984238	Differential Support	1	Front Axle
10	58984246	-Bolt	4	
11	58984253	-Bushing	4	
12	N.S.V.A.	-Cap	2	
13	58984261	Dowel Pin	2	
14	58959412	Plug	2	
15	58984287	Bolt	10	
16	58984295	Differential Support	1	Rear Axle
17	58984246	-Bolt	4	
18	58984253	-Bushing	4	
19	N.S.V.A.	-Cap	2	
20	58984303	Centering Bushing	4	
-	58984311	Rear Support	1	
-	58958935	Outer Bushing	1	
-	58958935	Inner Bushing	1	
21	58958950	Thrust Washer	1	
22	58984329	Grease Nipple	2	
23	58984337	Bolt	1	
24	58984345	Thrust Washer	1	
25	58984352	Inner Bushing	1	
26	58984360	Outer Bushing	1	
27	58958919	O-Ring	1	
28	58984378	Bolt	1	
29	58984386	Front Support	1	
30	58981895	Flat Washer	6	M20
31	58981762	Lock Washer	6	M20
32	58984394	Bolt	4	M20 x 90mm lg.
33	58984402	Bolt	2	M20 x 80mm lg.



STEERING HOUSING AND STEERING CYLINDER

SWIVEL HOUSING AND STEERING CYLINDER

ITEM	COMM. NO.	DESCRIPTION	QTY	DIMENSION / NOTES
1	58959057	Swivel Housing	1	L.H. Front Axle R.H. Rear Axle
2	58959065	Swivel Housing	1	R.H. Front Axle L.H. Rear Axle
3	58984006	Grease Nipple	4	
4	58984410	Bolt	12	
5	58959008	Upper King Pin	2	Front Axle Only
6	58959081	Shim - 0.10mm	A/R	Front Axle Only
-	58959099	Shim - 0.19mm	A/R	Front Axle Only
-	58959107	Shim - 0.35mm	A/R	Front Axle Only
7	58959073	Bushing	2	
8	58958968	Oil Seal	2	
9	58984428	Nut	4	
10	58984436	Bolt	4	
11	58959115	Lower King Pin	2	Front Axle Only
12	58959123	Steering Arm Assembly	1	L.H. Front Axle R.H. Rear Axle
13	58959131	-Steering Arm	1	L.H. Front R.H. Rear
14	58984444	-Nut	2	
15	58984451	-Lock Nut	1	
16	58958976	-Ball Joint	1	L.H. Front, R.H. Rear
17	58984469	Bolt	4	
18	58959040	Steering Cylinder Assembly (Includes Items 23, 24, 25, and 30)	1	
19	58959149	Steering Arm Assembly	1	R.H. Front, L.H. Rear
20	58958992	-Ball Joint	1	R.H. Front, L.H. Rear
21	58984477	-Lock Nut	1	
22	58959156	-Steering Arm	1	R.H. Front, L.H. Rear
23	58984485	Cylinder Cap	1	
24	N.S.V.A.	Piston Rod	1	
25	N.S.V.A.	Cylinder	1	
26	58984501	Upper King Pin	2	Rear Axle Only
27	58984519	Belleville Washer	4	Rear Axle Only
28	58984527	Lower King Pin	2	Rear Axle Only
29	58984535	Belleville Washer	4	Rear Axle Only
30	58984493	Cylinder Seal Kit, Steering	1	

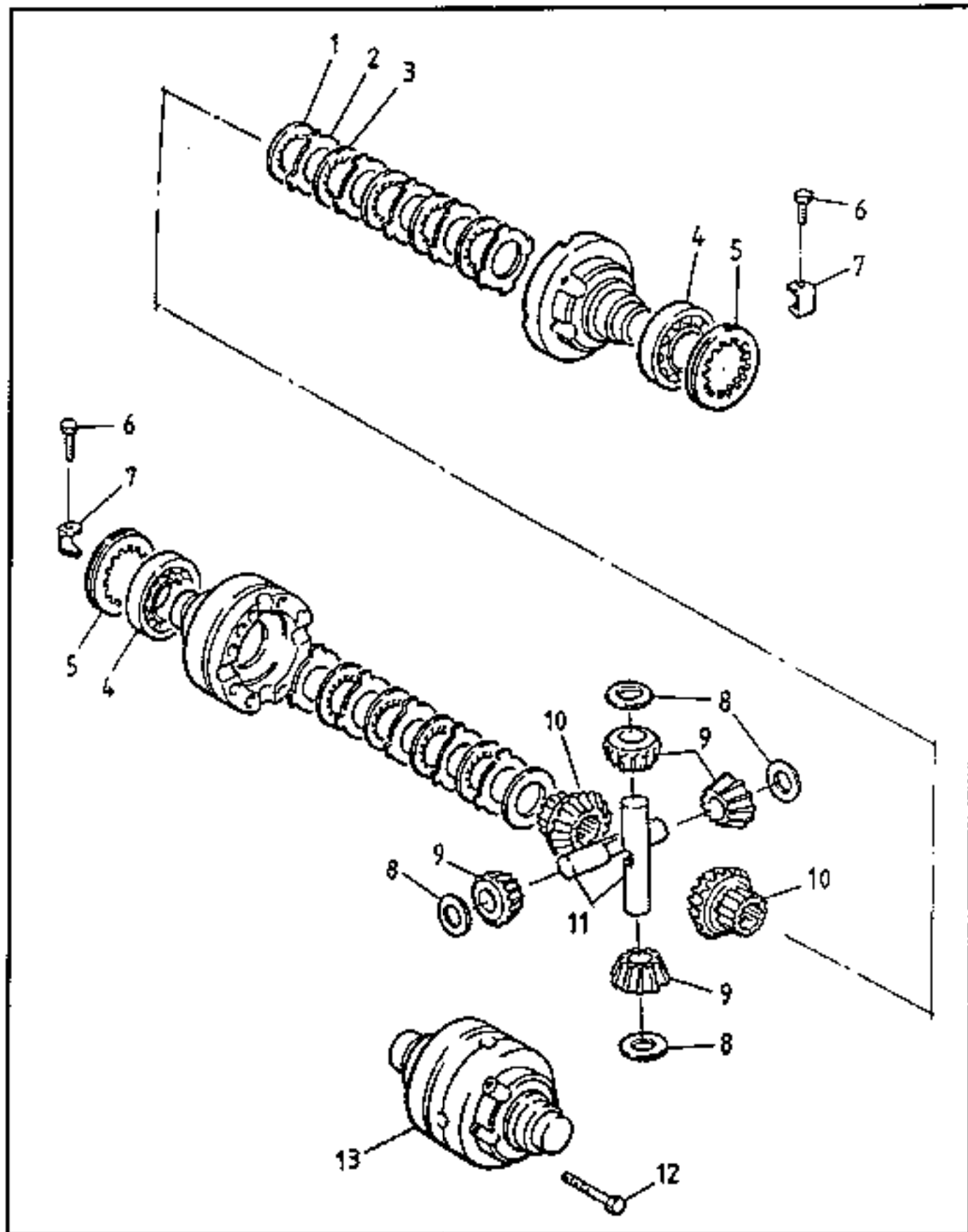


BEVEL GEAR / PINION SET

BEVEL GEAR / PINION SET

ITEM	COMM. NO.	DESCRIPTION	QTY	DIMENSION / NOTES
1	58984543	Bevel Gear/Pinion Set (Includes Items 4, 5, 11, and 12)	1	Front Axle
2	58984550	Bevel Gear/Pinion Set (Includes Items 4, 5, 11, and 12)	1	Rear Axle
3	58959164	Bearing Assembly	2	
4	58959180	Lock Washer	1	
5	58959172	Ring Nut	1	
6	58959198	Oil Seal	1	
7	58984568	Bolt	2	
8	58959172	Ring Nut	1	
8	58959206	Flange	1	
9	58984576	Nut	2	
10		Shim - 2.50mm	A/R	
		Shim - 2.60mm	A/R	
		Shim - 2.70mm	A/R	
		Shim - 2.80mm	A/R	
		Shim - 2.90mm	A/R	
		Shim - 3.00mm	A/R	
		Shim - 3.10mm	A/R	
		Shim - 3.20mm	A/R	
		Shim - 3.30mm	A/R	
		Shim - 3.40mm	A/R	
11	58984584	Spacer	2	
12	58984592	Collapsible Spacer	1	
<i>NOTE: Quantities are per axle.</i>				

VR-50
PARTS MANUAL

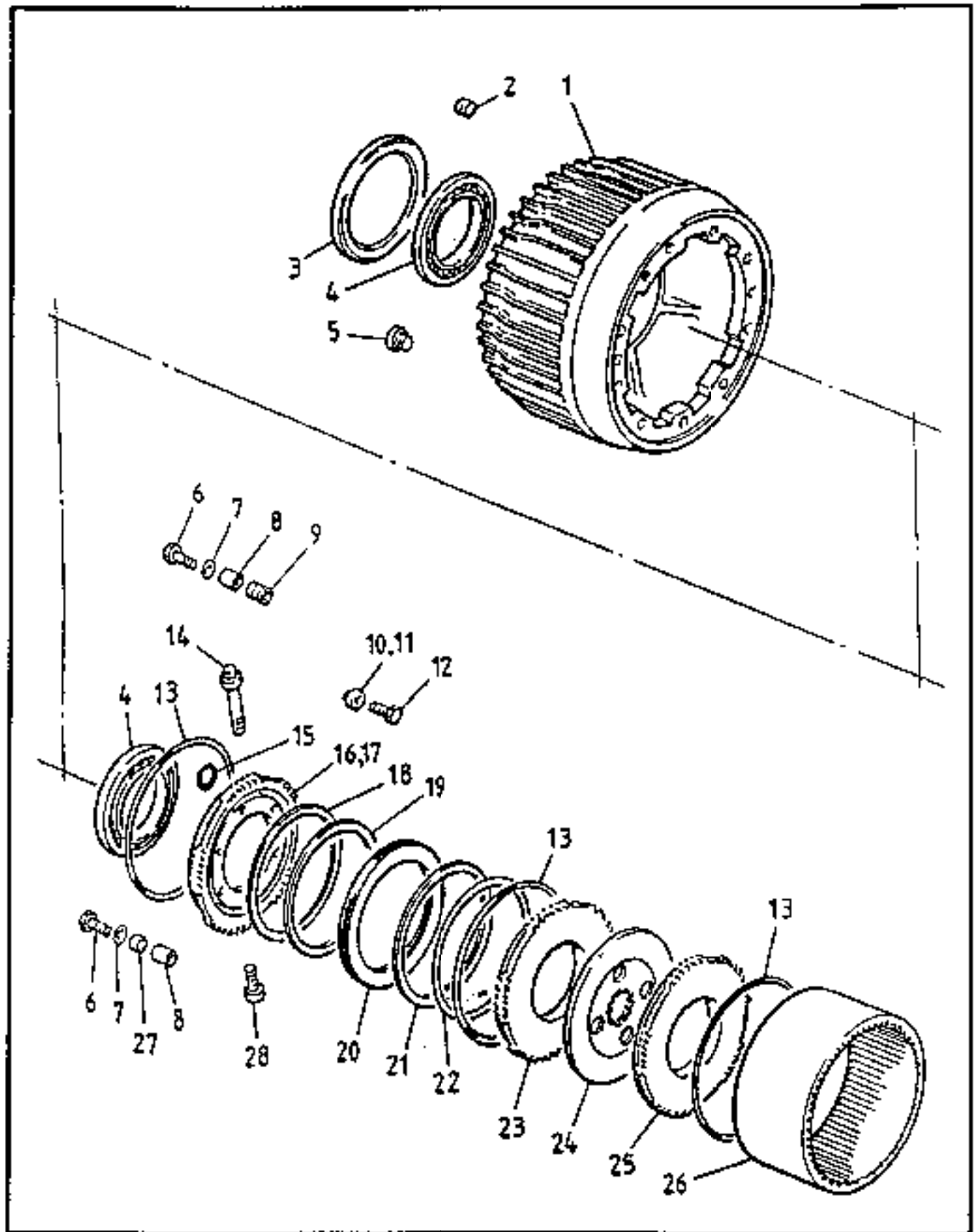


DIFFERENTIAL ASSEMBLY

DIFFERENTIAL ASSEMBLY

ITEM	COMM. NO.	DESCRIPTION	QTY	DIMENSION / NOTES
		<small>REF 509-AY</small>		
1	58984600	Driving Plate	2	
2	58984618	Plate	10	
3	58984626	Driving Plate	8	
4	58984634	Bearing	2	
5	58984642	Ring Nut	2	
6	58984659	Bolt	2	
7	58984667	Locking Plate	2	
8	58984675	Thrust Washer	4	
9	58984683	Pinion Gear	4	
10	58984691	Side Pinion	2	
11	58984709	Shaft	2	
12	58984717	Bolt	12	
13	58984725	Differential Housing	1	

VR-50
PARTS MANUAL

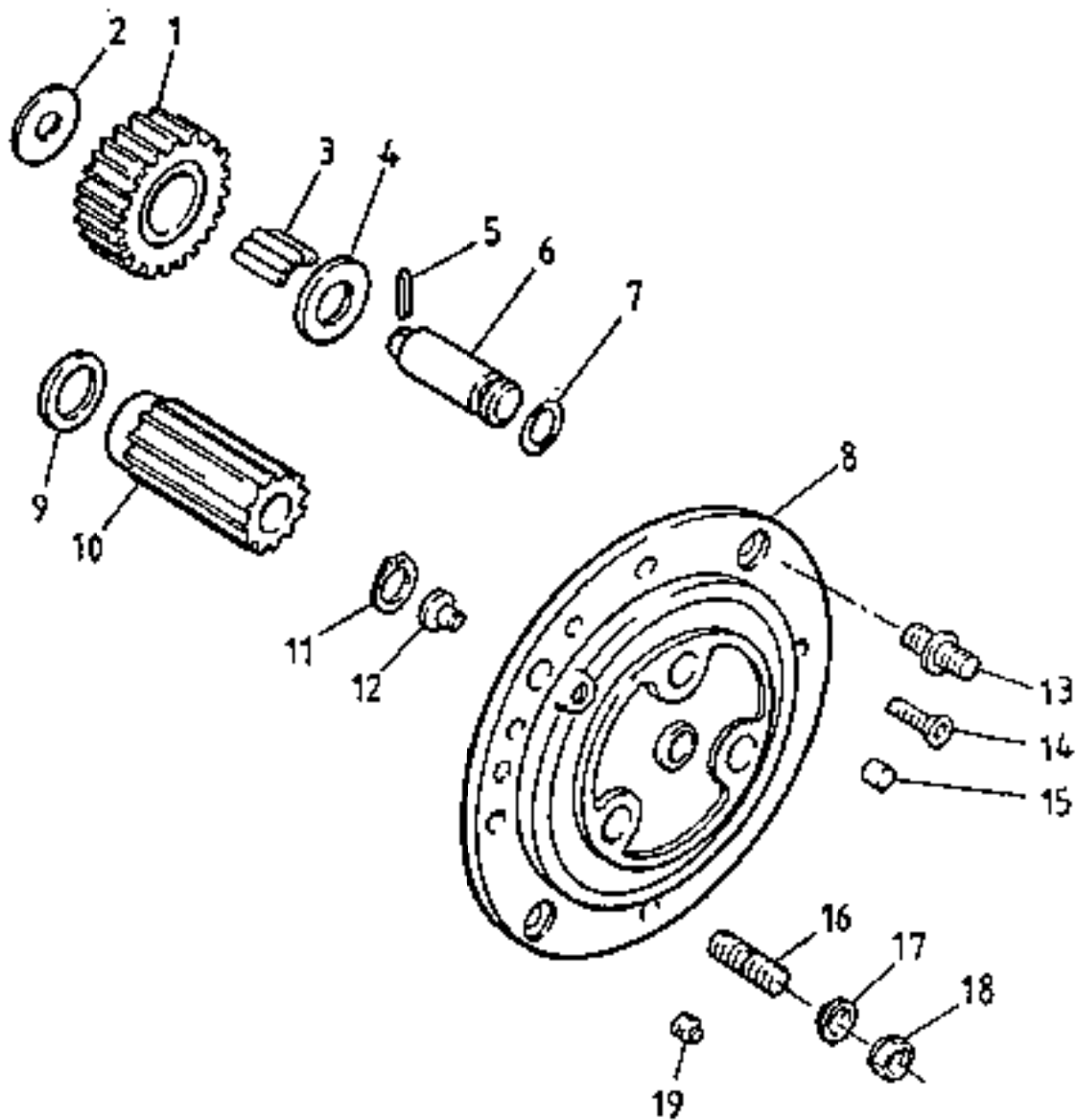


WHEEL HUB

WHEEL HUB

ITEM	COMM. NO.	DESCRIPTION	QTY	DIMENSION / NOTES
1	58984741	Wheel Hub	2	
2	58984758	Plug	2	
3	58959263	Cassette Seal	2	
4	58959271	Bearing	4	
5	58984766	Plug, Oil	2	
6	58984774	Bolt	12	
7	58984782	Washer	12	
8	58984790	Bushing	12	
9	58984808	Spring	6	
10	58984816	Centering Bushing	2	
11	58984824	Centering Bushing	14	
12	58984832	Screw	16	
13	58959313	Ring	6	
14	58984840	Breather Plug	2	
15	58984857	O-Ring	2	
16	58984865	Wheel Carrier	1	L.H. Front Axle R.H. Rear Axle
17	58984873	Wheel Carrier	1	R.H. Front Axle L.H. Rear Axle
18	58959321	Quadrang	2	
19	58959339	Antiextrusion Ring	2	
20	58984881	Brake Piston	2	
21	58959347	Quadrang	2	
22	58959354	Antiextrusion Ring	2	
23	58959289	Reaction Plate	2	
24	58959297	Brake Disc	2	
25	58959305	Reaction Plate	2	
26	58984899	Crown Gear	2	
27	58984907	Pin	6	
28	58984915	Screw	2	
<i>NOTE: Quantities are per Axle</i>				

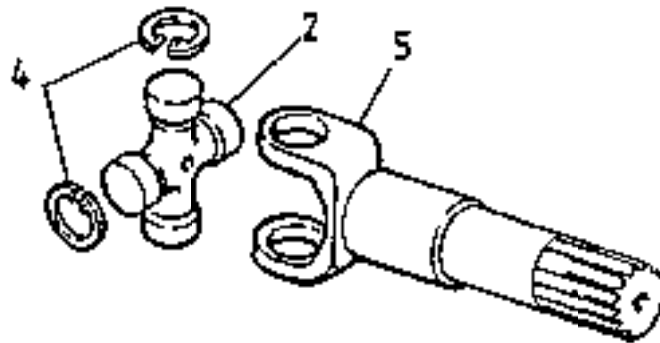
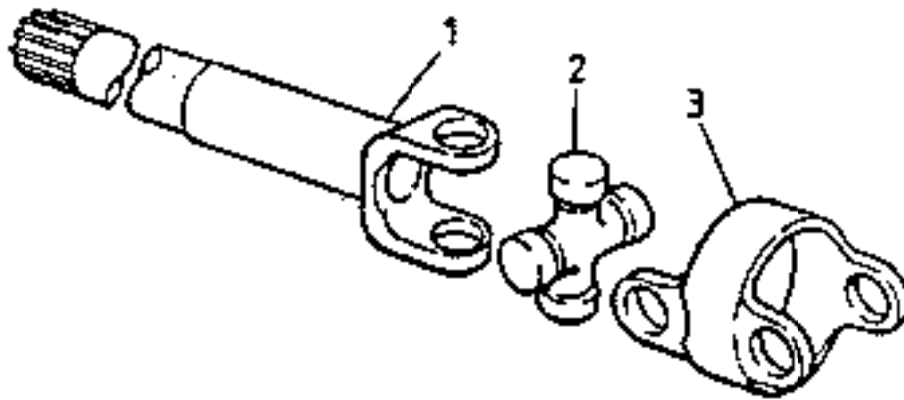
VR-50
PARTS MANUAL



REDUCTION H.L. 0

REDUCTION HUB

ITEM	COMM. NO.	DESCRIPTION	QTY	DIMENSION / NOTES
**	58984923	Planetary Carrier Assembly	2	
1	58984931	-Planetary Gear	6	
2	58984949	-Thrust Washer	6	
3	58984956	-Needle Bearing Set	18	
4	58984964	-Washer	6	
5	58984972	-Pin	6	
6	58984980	-Shaft	6	
7	58959362	-O-Ring	6	
8	58984998	-Planetary Carrier	2	
9	58985003	Washer	2	
10	58985011	Sleeve	2	
11	58985029	Snap Ring	2	
12	58985037	Thrust Pin	2	
13	58959370	Stud	4	
14	58985045	Screw	4	
15	58985052	Plug	4	
16	58959388	Stud	16	
17	58959396	Washer	16	
18	58959404	Nut	16	
19	58959412	Plug	2	
<i>NOTE: Quantities are per Axle</i>				

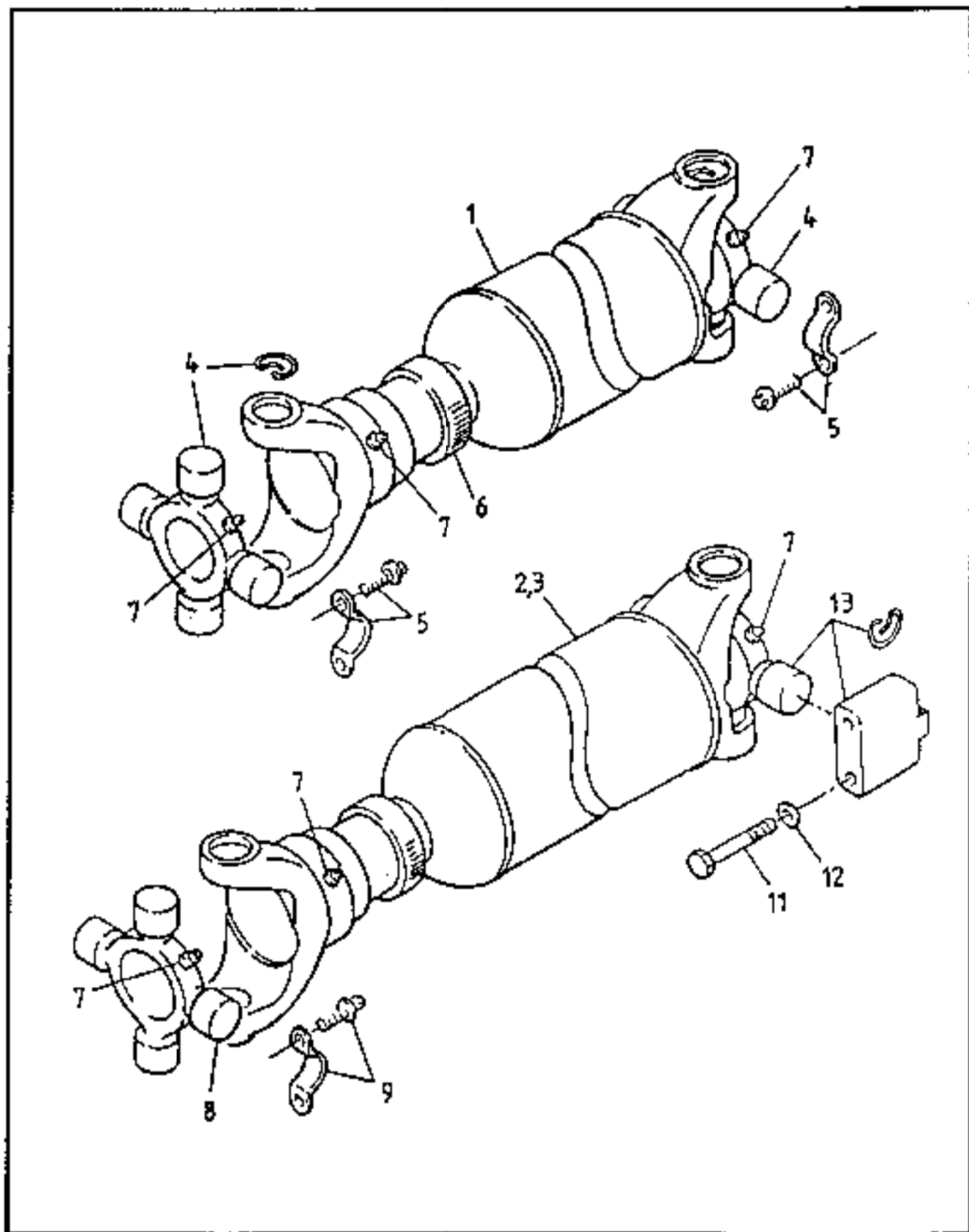


AXLE DRIVE SHAFT

AXLE DRIVE SHAFT

ITEM	COMM NO.	DESCRIPTION	QTY	DIMENSION / NOTES
**	58959255	Drive Shaft Assembly	2	
1	58959214	-Half Shaft	2	Differential Side
2	58959230	-Spider Assembly (Includes Item 4)	4	
3	58984733	-Central Body	2	
4	58959248	-Snap Ring	16	
5	58959222	-Half Shaft	2	Wheel Side
<i>NOTE: Quantities are per Axle</i>				

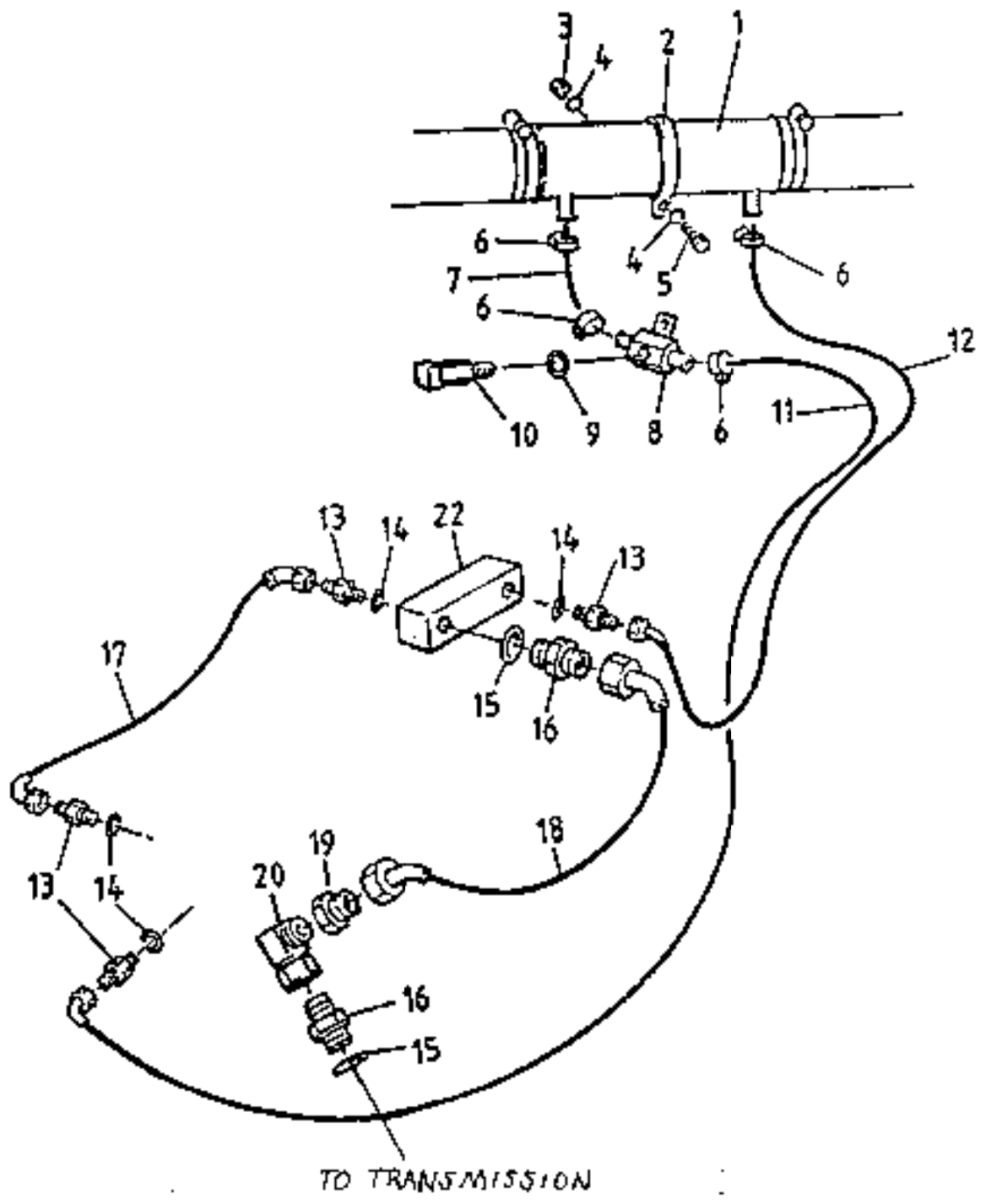
VR-50
PARTS MANUAL



DRIVE SHAFT

DRIVE SHAFT

ITEM	COMM. NO.	DESCRIPTION	QTY	DIMENSION / NOTES
1	58958372	Engine to Gearbox Drive Shaft Assembly (Includes Items 4, 6, and 7)	1	
2	58958380	Gear Box to Front Axle Drive Shaft Assembly (Includes Items 7, 8, 10, and 13)	1	
3	58958398	Gear box to Rear Axle Drive Shaft Assembly (Includes Items 7, 8, 10, and 13)	1	
4	58958315	Repair Kit	2	
5	58958323	Repair Kit	2	
6	58980699	Dust Cap	1	
7	58980707	Grease Nipple	7	
8	58958331	Repair Kit	2	
9	58958349	Repair Kit	2	
10	58980715	Dust Cap	2	
11	58961152	Bolt	8	M10 x 50mm lg
12	58982703	Lock Washer	8	M10
13	58958356	Repair Kit	2	

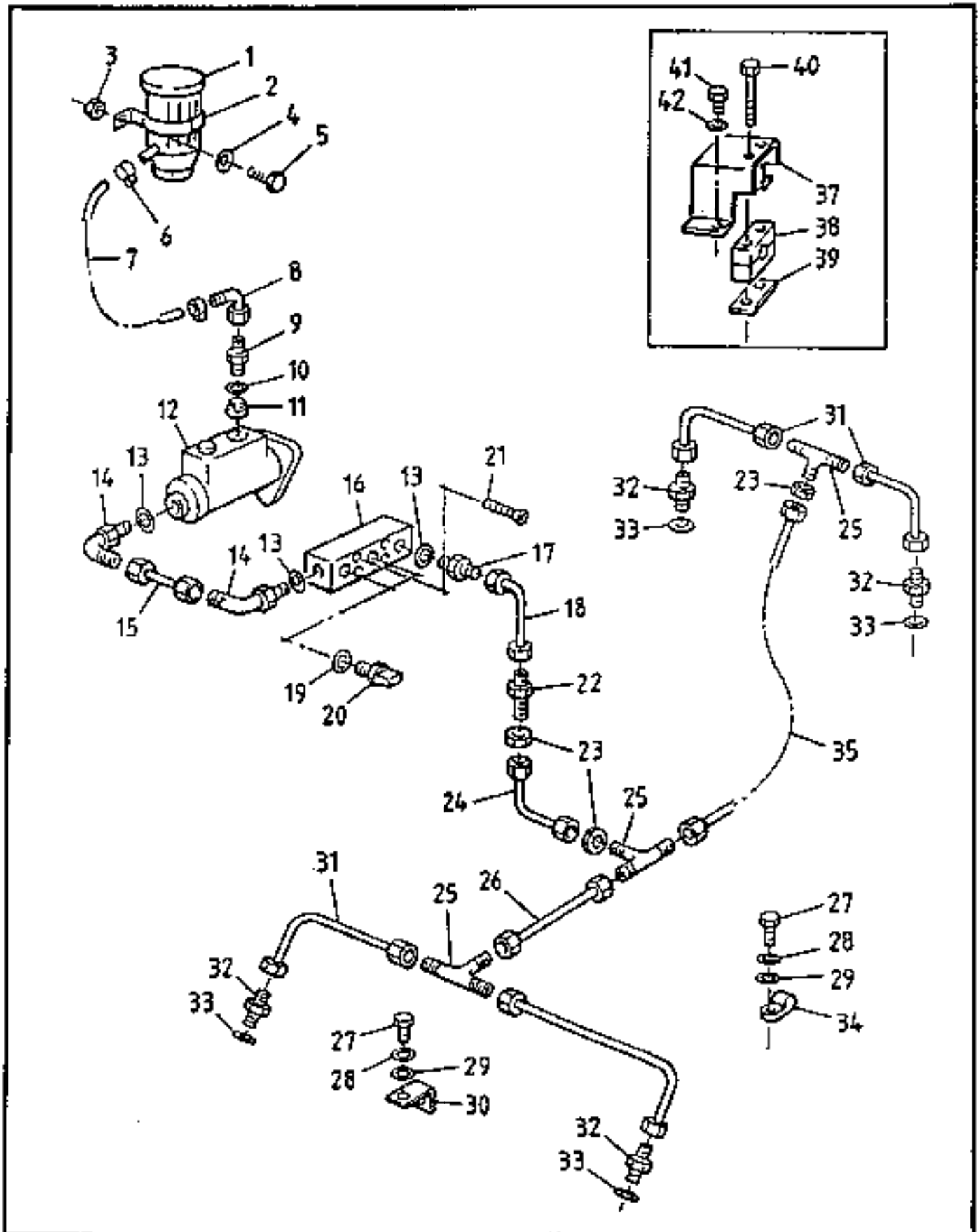


TRANSMISSION COOLING SYSTEM

TRANSMISSION COOLING SYSTEM

ITEM	COMM. NO.	DESCRIPTION	QTY	DIMENSION / NOTES
1	58958299	Oil Cooler	1	
2	58959205	P-Clip	1	
3	58960162	Self Locking Nut	1	M6
4	58981838	Flat Washer	2	M6
5	58981978	Screw	1	M6 x 20mm lg.
6	58980541	Hose Clamp	4	
7	58980566	Oil Cooler to Adapter Hose	1	
8	58980574	Temperature Sender Adapter	1	
9	58980582	Bonded Seal	1	
10	59816322	Temperature Sender Switch	1	
11	58980590	Adapter to Transmission Hose	1	
12	59070540	Cooler to Converter Hose	1	
13	59070557	Adapter	4	
14	58980624	Bonded Seal	4	
15	58980640	Bonded Seal	2	
16	59070565	Adapter	2	
17	58980657	Converter to Transmission Hose	1	
18	58980665	Converter to Transmission hose	1	
19	58980673	Adapter	1	
20	59070573	Elbow	1	
21	59070581	Adapter	1	
22	58983941	Converter Valve Housing	1	

VR-50
PARTS MANUAL



BRAKE CIRCUIT

BRAKE CIRCUIT

ITEM	COMM. NO.	DESCRIPTION	QTY	DIMENSION / NOTES
1	58959420	Reservoir Assembly	1	
2	58985060	Bracket	1	
3	58981382	Self Locking Nut	2	M6
4	58981838	Flat Washer	2	M6
5	58981978	Screw	2	M6 x 20mm lg.
6	58982539	Hose Clamp	2	
7	58985078	P.V.C. Hose	1	47" (1.2 m)
8	58985086	Elbow	1	
9	58985094	Adapter	1	
10	58981697	Copper Washer	1	1/2"
11	58985110	Reducer Adapter	1	
12	58959511	MASTER CYLINDER	1	See Breakdown
13	58985128	O-Ring	2	
14	58985136	Elbow Includes Item 13	2	
15	58985144	Pipe	1	Master Cylinder to Connector
16	58985151	4-Way Connector		
17	58985169	Adapter		
18	58985177	Pipe	1	Connector to Cab Floor
19	58981689	Copper Washer	2	3/8"
20	58959438	Switch	2	Brake Lights/ Trans Disconnect
21	58982257	Socket Head Bolt	4	M6 x 40mm lg
22	58985185	Bulk Head Adapter	1	
23	58985102	-Thin Nut	4	1/2" UNF
24	58959446	Hose	1	Cab Floor to Tee
25	58985204	Tee Adapter (Includes Item 23)	3	
26	58985219	Pipe	1	To Rear Axle
27	58981960	Screw	1	M6 x 16mm lg
28	58981705	Lock Washer	3	M6
29	58981838	Flat Washer	3	M6
30	58985227	Clip	1	
31	59070599	Brake Hose	4	
32	58985235	Adapter	4	
33	58985243	Seal	4	
34	58985250	Clip	2	
35	58985268	Pipe	1	To Front Axle
36	-----	Deleted		
37	59070607	Bracket	4	Brake Pipe to Swivel Housing

CONTINUED

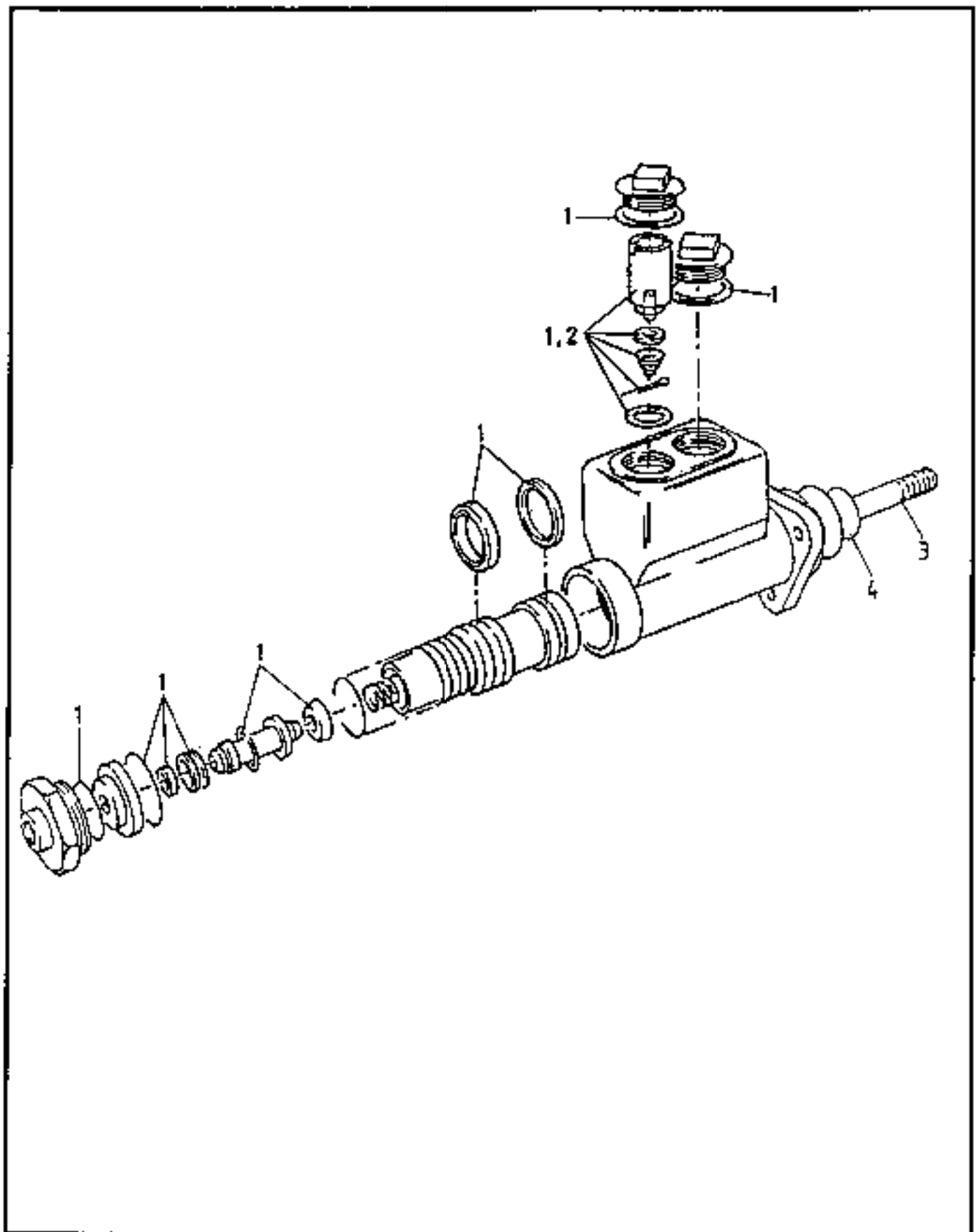
VR-50
PARTS MANUAL

****Always Use Ingersoll-Rand Replacement Parts!****

BRAKE CIRCUIT

ITEM	COMM. NO.	DESCRIPTION	QTY	DIMENSION / NOTES
		Ref BRK CUP		
38	59070615	Clamp Assembly	4	
39	59070623	-Base Plate	4	
40	58981986	-Screw	8	M6 x 30mm lg.
41	58982018	Screw	8	M8 x 16mm lg.
42	58981713	Lock Washer	8	M8

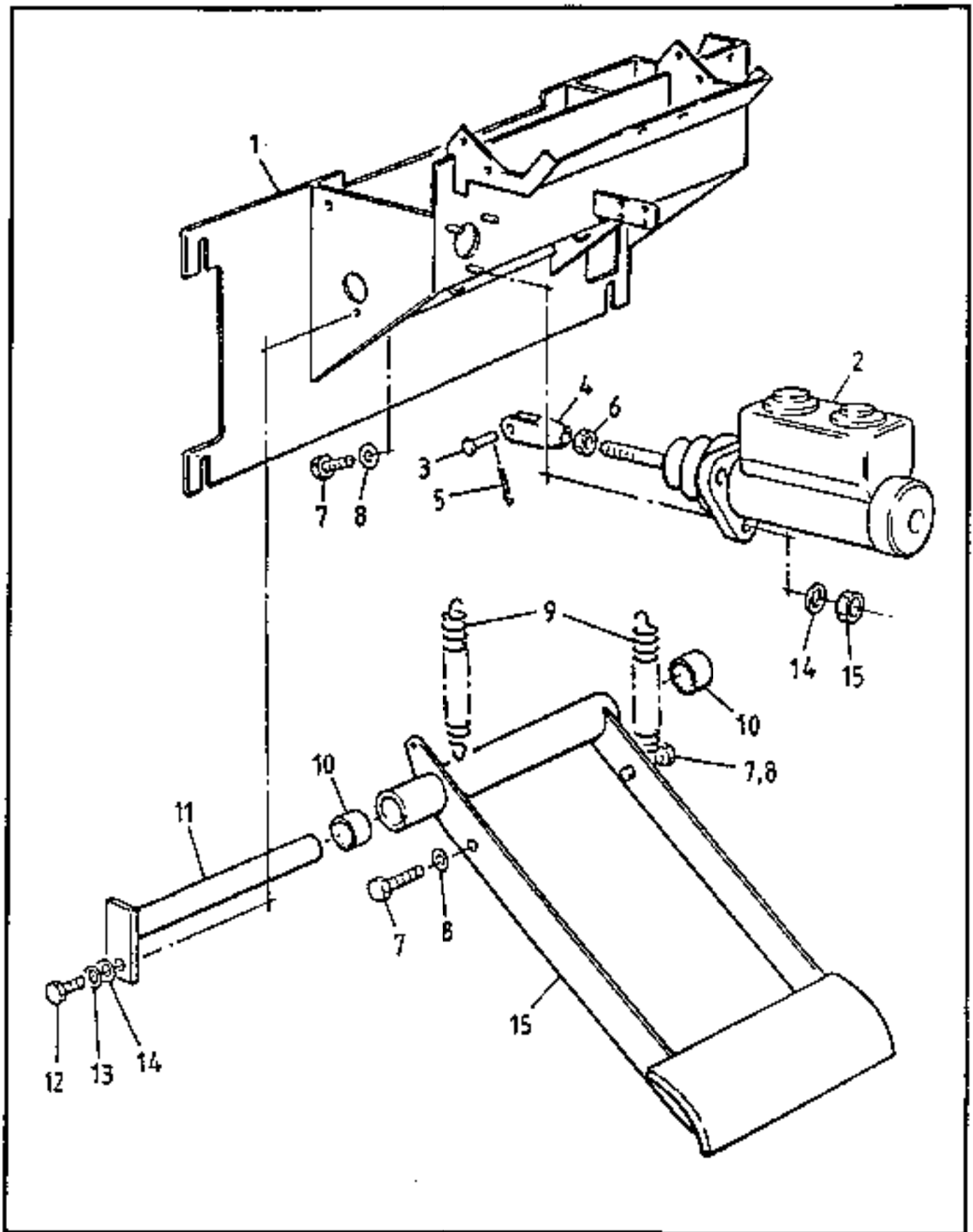
VR-50
PARTS MANUAL



MASTER CYLINDER (58959511) - INTERNAL BREAKDOWN

MASTER CYLINDER (58959511) - INTERNAL BREAKDOWN

ITEM	COMM NO	DESCRIPTION	QTY	DIMENSION / NOTES
**	58959511	Master Cylinder Assembly	1	
1	58959495	Seal Kit and Relief Valve	1	
2	58959529	-Relief Valve	1	
3	58985342	Push Rod	1	
4	58959503	Rubber Boot	1	

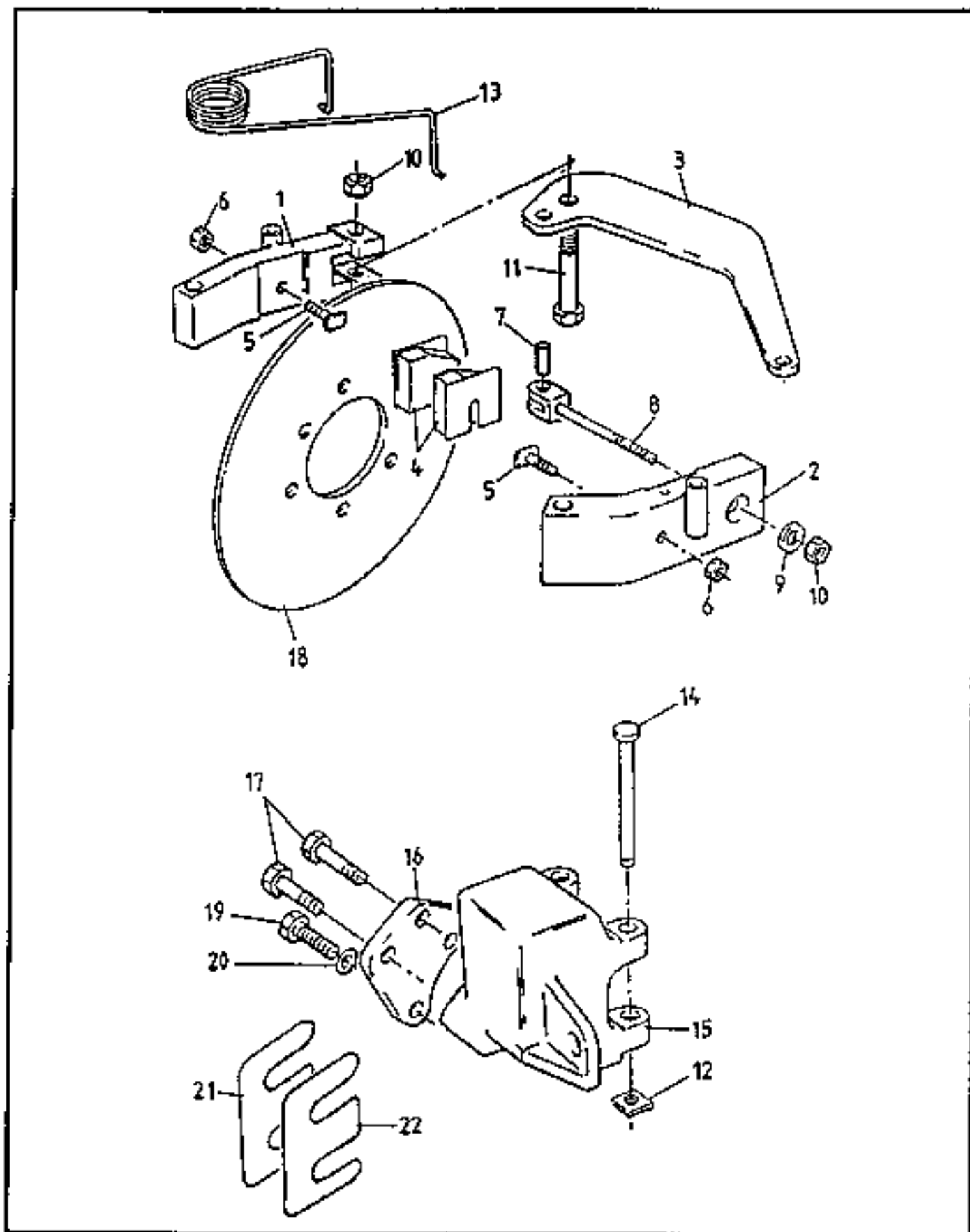


FOOT BRAKE LINKAGE

FOOT BRAKE LINKAGE

ITEM	COMM. NO.	DESCRIPTION	QTY	DIMENSION / NOTES
1	58985300	Mounting Plate	1	
2	58959511	MASTER CYLINDER	1	Sec Breakdown
3	58985318	Clevis Pin	1	
4	58959453	Clevis Assembly (Includes Item 3)	1	
5	58985326	-Cotter Pin	1	
6	58981366	Nut	1	3/8" UNF
7	58982034	Screw	3	M8 x 25mm lg.
8	58981325	Nut	3	M8
9	58959461	Spring	2	
10	58959479	Bushing	2	
11	58959487	Pivot Pin	1	
12	58982000	Screw	1	M8 x 15mm lg.
13	58981713	Lock Washer	1	M8
14	58981846	Flat Washer	4	M8
15	58985334	Brake Pedal	1	

VR-50
PARTS MANUAL.

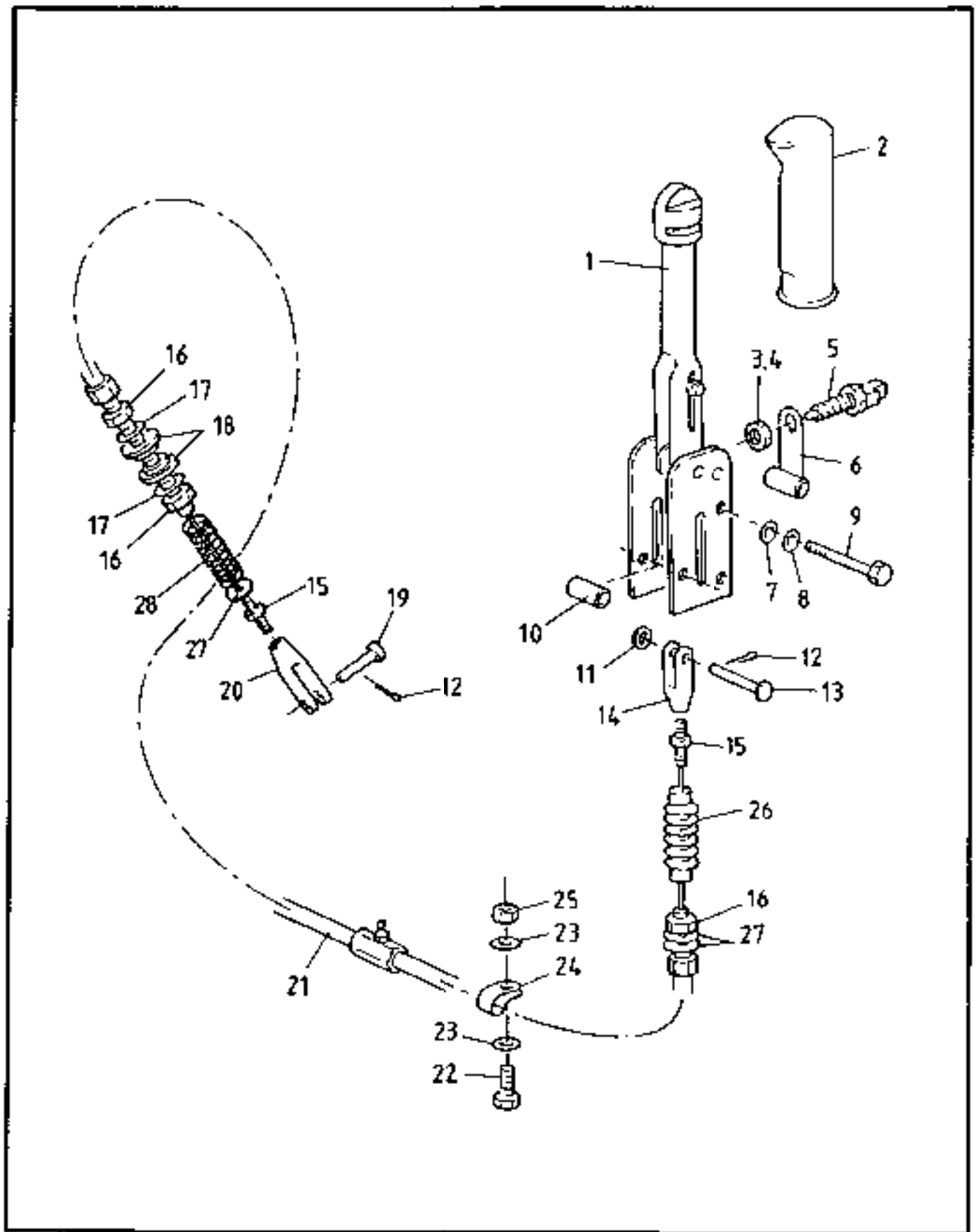


PARKING BRAKE

PARKING BRAKE

ITEM	COMM. NO.	DESCRIPTION	QTY	DIMENSION / NOTES
		<small>Ret PARK_BA</small>		
**	58983719	Brake Assembly	1	
1	58983727	-Adjusting Arm	1	
2	58983735	-Seat Pivot	1	
3	58983743	-Lever	1	
4	58958760	-Brake Pad Kit	1	
5	58983750	-Flathead Bolt	2	
6	58983768	-Nut	2	
7	58983776	-Pivot Pin	1	
8	58958786	-Adjusting Pull Rod	1	
9	58983784	-Spherical Washer	1	
10	58983792	-Nut	2	
11	58983800	-Bolt	1	
12	58983818	-Safety Clip	2	
13	58958778	-Torsion Spring	1	
14	58983826	-Bolt	2	
15	58983834	-Body	1	
16	58983842	Mounting Bracket	1	
17	58983859	Dowel Bolt	2	
18	58983867	Disc Flange	1	
19	58983875	Bolt	3	
20	58981846	Flat Washer	3	M8
21	58983883	Shim	2	0.5mm
22	58983891	Shim	1	1.5mm

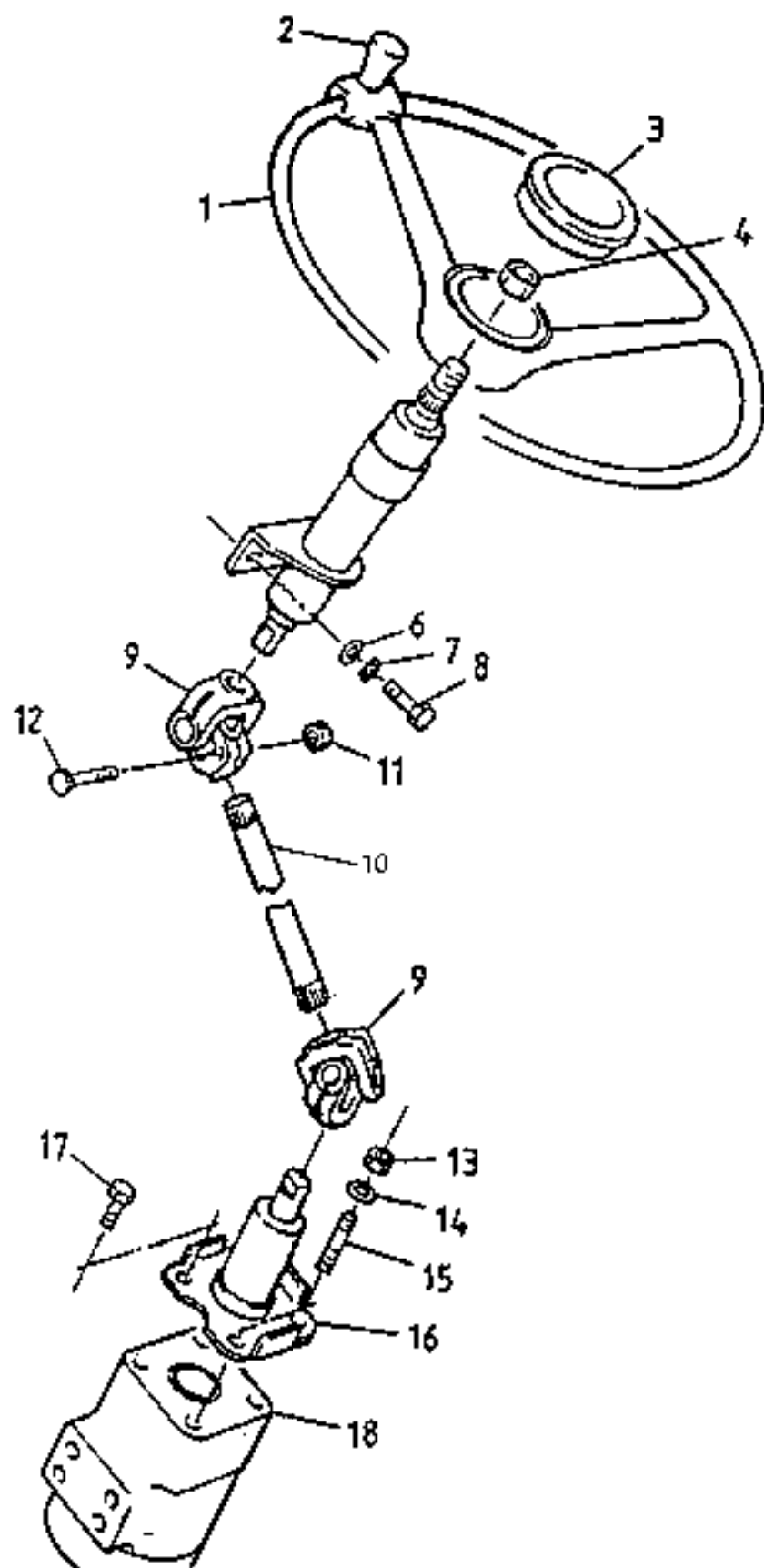
VR-50
PARTS MANUAL



PARKING BRAKE LEVER

PARKING BRAKE LEVER

ITEM	COMM. NO.	DESCRIPTION	QTY	DIMENSION / NOTES
		<small>Part No. Desc</small>		
1	58958455	Handbrake Assembly	1	
2	58958463	-Hand Grip	1	
3	58982737	Shakeproof Washer	1	
4	58981457	Thin Nut	1	3/8" UNC
5	58958471	Brake Warning Switch	1	
6	58980756	Switch Bracket	1	
7	58981853	Flat Washer	3	M10
8	58981721	Lock Washer	3	M10
9	58982109	Screw	3	M10 x 50mm lg.
10	58980764	Spacer	2	
11	58982711	Flat Washer	1	5/16"
12	58980772	Cotter Pin	2	
13	58958489	Clevis Pin	1	
14	58958497	Clevis Assembly (Includes Items 12 and 13)	1	
15	58981440	Thin Nut	2	5/16"
16	58982612	Thin Nut	3	7/16"
17	58982653	Shakeproof Washer	2	7/16"
18	58980780	Abutment	1	
19	58980798	Clevis Pin	1	
20	58958505	Clevis Assembly (Includes Items 12, and 13)	1	
21	58958513	Cable Assembly (Includes Items 15, 16, and 17)	1	
22	58982026	Screw	1	M8 x 20mm lg
23	58981713	Flat Washer	2	M8
24	58980806	P-Clip	1	
25	58981390	Self Locking Nut	1	M8
26	58958521	Bellows	1	
27	58982729	Flat Washer	3	7/16"
28	58958539	Return Spring	1	

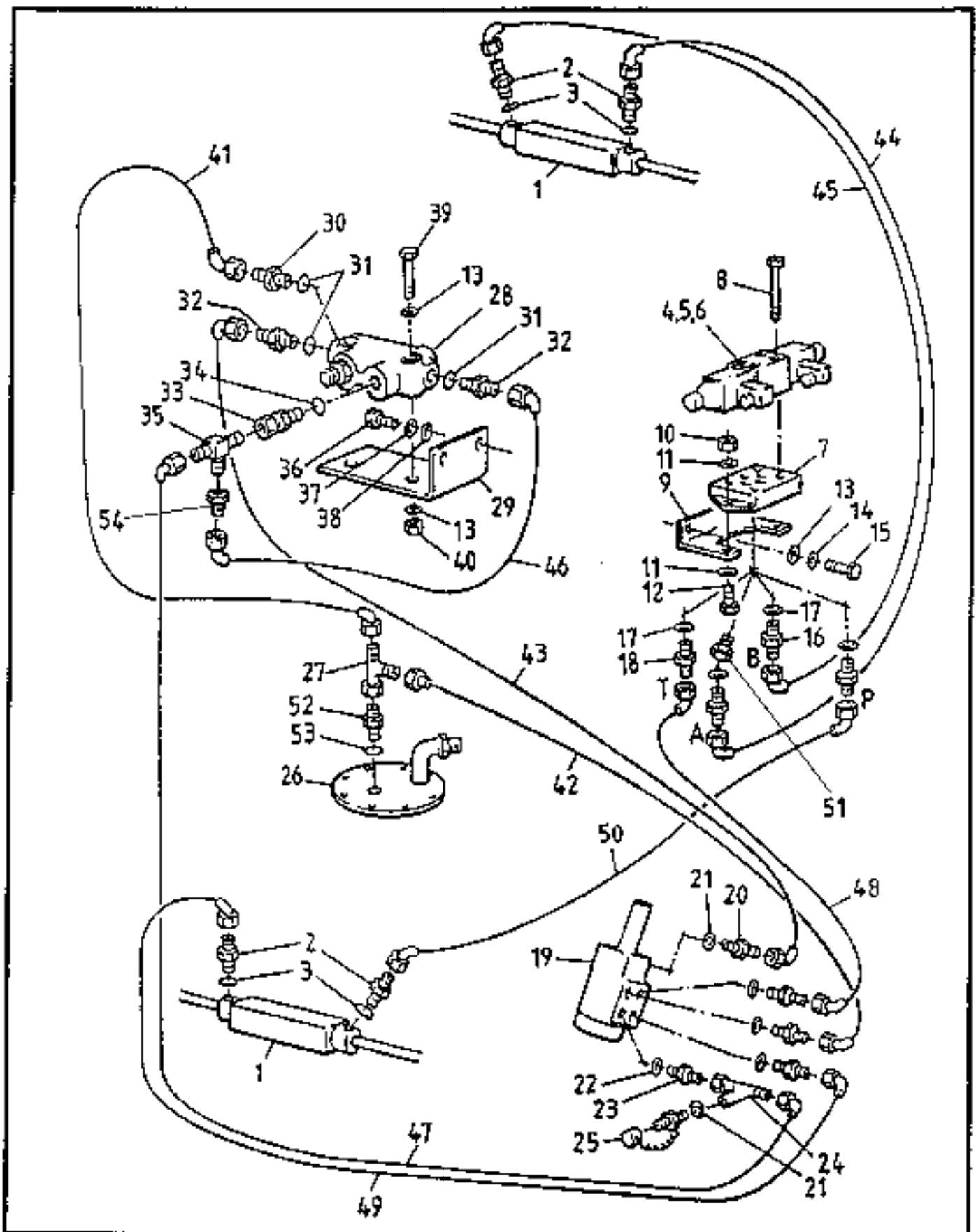


STEERING CONTROL.

STEERING CONTROL

ITEM	COMM. NO.	DESCRIPTION	QTY	DIMENSION / NOTES
**	58985805	Steering Wheel Assembly	1	
1	58985813	-Steering Wheel	1	
2	58959586	-Knob	1	
3	58985821	-Cap	1	
4	58985839	Nut	1	
5	58985847	Upper Steering Column	1	
6	58981838	Flat Washer	2	M6
7	58981705	Lock Washer	2	M6
8	58981978	Screw	2	M6 x 20mm lg.
9	58959578	Universal Joint	2	
10	58985854	Intermediate Steering Column	1	
11	58981390	Self Locking Nut	2	M8
12	58985367	Screw	2	M8 x 35mm lg.
13	58981408	Self Locking Nut	2	M10
14	58981853	Flat Washer	2	M10
15	58985862	Stud	2	
16	58985870	Lower Steering Column	1	
17	58982067	Screw	2	M10 x 15mm lg.
18	58959602	STEERING HAND PUMP	1	See Breakdown

VR-50
PARTS MANUAL



STEERING HYDRAULIC CIRCUIT

STEERING HYDRAULIC CIRCUIT (Sheet 1 of 2)

ITEM	COMM. NO.	DESCRIPTION	QTY	DIMENSION / NOTES
1	58959040	Steering Cylinder	2	
2	59070631	Adapter	5	
3	58959552	-O-Ring	5	
4	58959560	Changeover Valve (Includes Items 5 and 6)	1	
5	58959537	Solenoid	2	Not Shown
6	58985524	Seal Kit	1	
7	58985532	Sub-Plate	1	
8	58982216	Screw	4	M5 x 50mm lg.
9	58985524	Mounting Bracket	1	
10	58981382	Self Locking Nut	2	M6
11	58981838	Flat Washer	4	M6
12	589819896	Screw	2	M6 x 25mm lg.
13	58981846	Flat Washer	6	M8
14	58981713	Lock Washer	2	M8
15	58982026	Screw	2	M8 x 20mm lg.
16	58985540	Adapter	1	
17	58985557	Bonded Seal	4	
18	59070649	Adapter	3	
19	58959602	STEERING HAND PUMP	1	See Breakdown
20	58985573	Adapter	1	
21	58981028	Bonded Seal	2	
22	58980624	Bonded Seal	4	
23	58985607	Adapter	4	
24	58985615	Test Point Adapter Assembly (Includes Items 21 and 25)	1	
25	58985623	Test Point	1	
26	58985631	Cover Plate	1	
27	59070656	Tee Adapter	1	
28	58959628	PRIORITY VALVE	1	See Breakdown
29	58985656	Mounting Bracket	1	
30	59070664	Adapter	1	
31	58985359	-O-Ring	3	
32	59070672	Adapter (Includes Item 31)	2	
33	59070631	Adapter	1	
34	58981853	-O-Ring		
35	58985698	Tee Adapter		
36	58982364	Screw	2	M10 x 25mm lg.
37	58981721	Lock Washer	2	M10
38	58981853	Flat Washer	2	M10
39	58981507	Bolt	2	M8 x 90mm lg.
40	58981390	Self Locking Nut	2	M8

CONTINUED

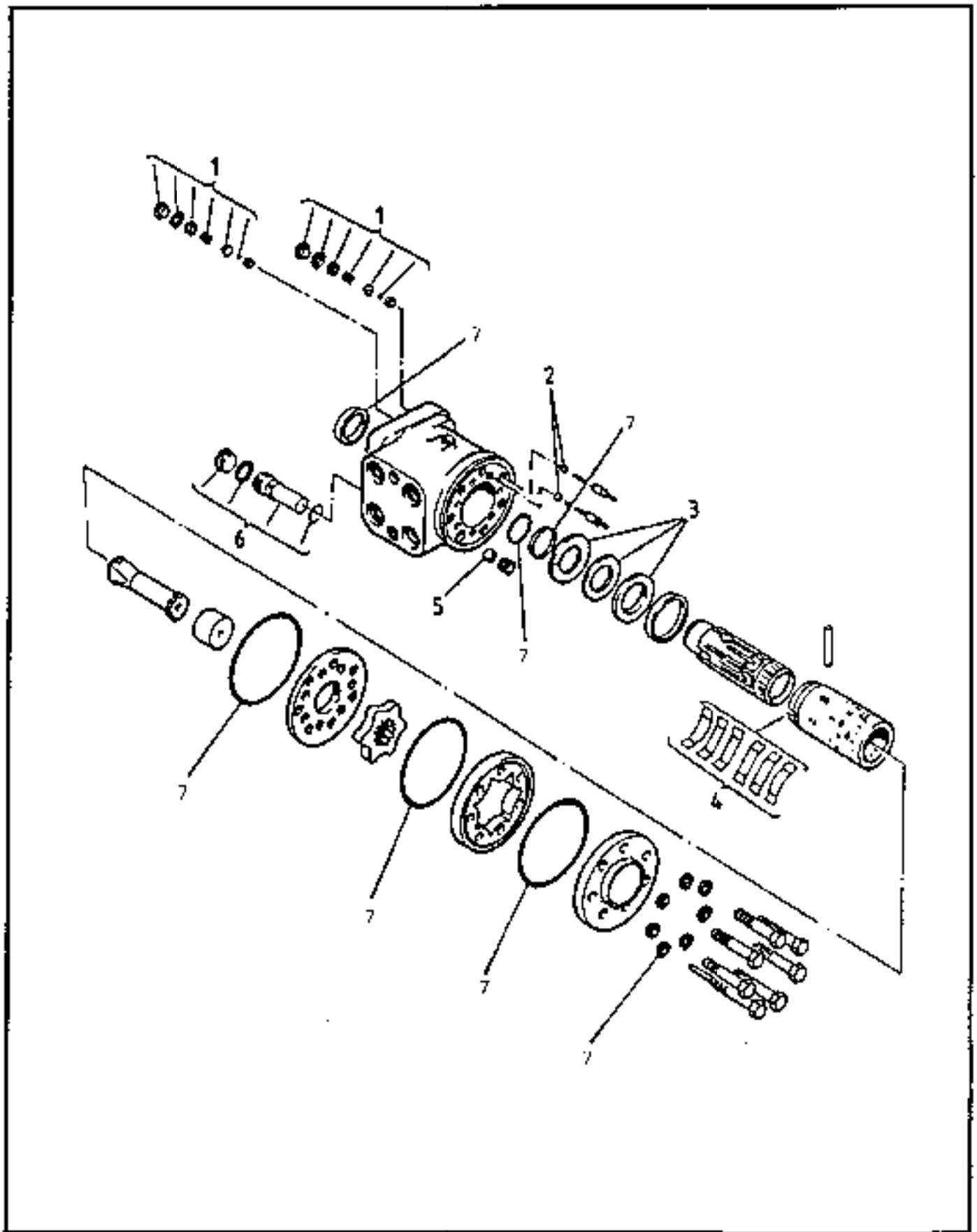
VR-50
PARTS MANUAL

****Always Use Ingersoll-Rand Replacement Parts!****

STEERING HYDRAULIC CIRCUIT (Sheet 2 of 2)

ITEM	COMM. NO.	DESCRIPTION	QTY	DIMENSION / NOTES
41	59070680	Hose	1	Demand Valve to Tank
42	59070698	Hose	1	Hand Pump to Tank
43	59070706	Hose	1	Hand Pump to Demand Valve
44	59070714	Hose	1	Change Over Valve to Rear Steering
45	59070722	Hose	1	Change Over Valve to Rear Steering
46	59070730	Hose	1	Tee to Demand Valve
47	59070748	Hose	1	Tee to Hand Pump
48	59070755	Hose	1	Hand Pump to Change Over Valve
49	59070763	Hose	1	Hand Pump to Front Steering
50	59070771	Hose	1	Change Over Valve
51	59071472	Adapter	1	
52	59070789	Adapter	1	
53	58981028	Dowty Seal	1	
54	59070797	Adapter	1	

VR-50
PARTS MANUAL

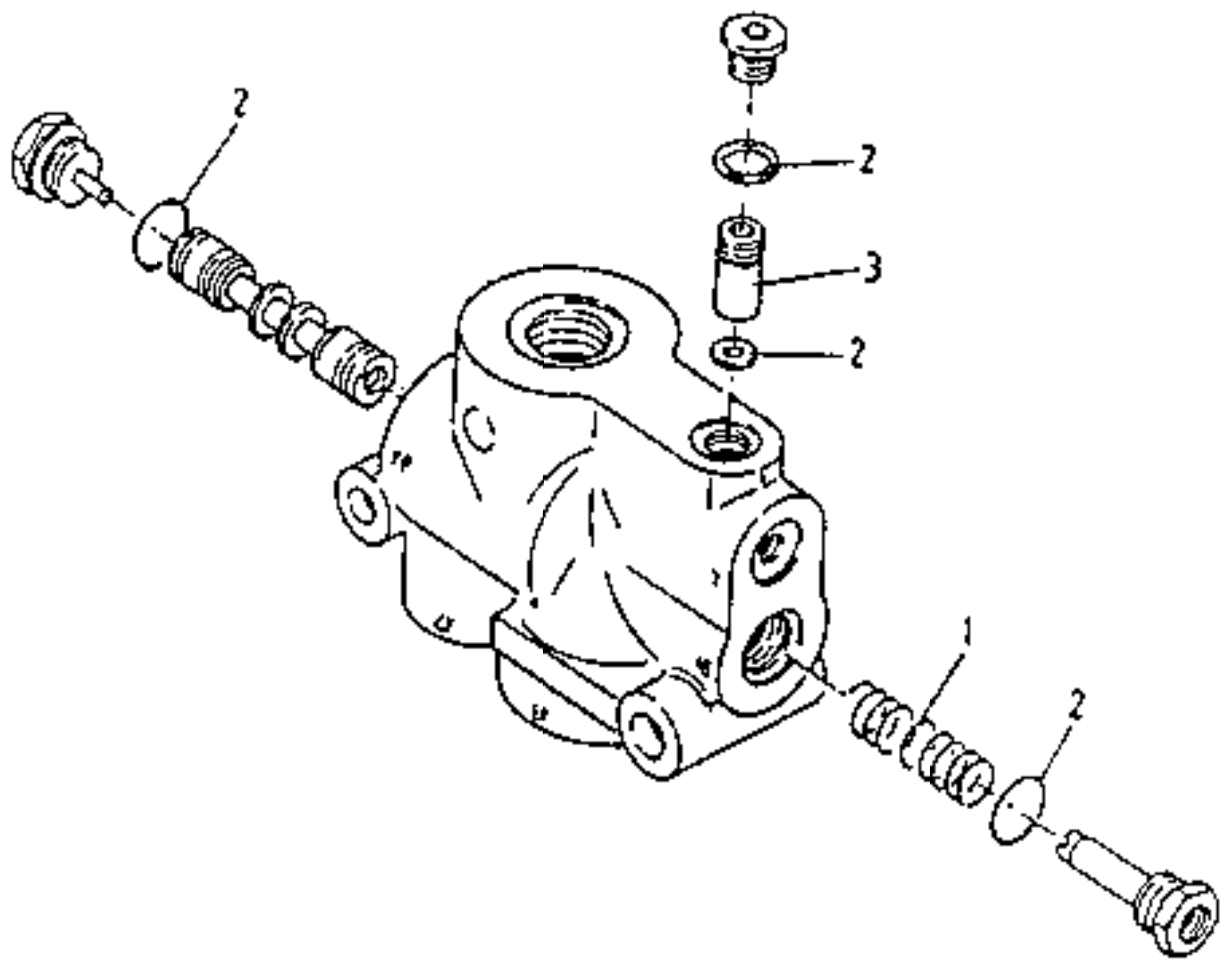


STEERING HAND PUMP (58959602) - INTERNAL BREAKDOWN

STEERING HAND PUMP (58959602) - INTERNAL BREAKDOWN

ITEM	COMM. NO.	DESCRIPTION	QTY	DIMENSION / NOTES
		<small>Ref: 58959602</small>		
**	58959602	Steering Hand Pump Assembly	1	
1	58985888	-Shock Valve	2	Without Seat
2	58985896	-Ball	2	
3	58985904	-Bearing Assembly	1	
4	58985912	-Springs	1	Set
5	58985920	-Ball	1	
6	58985938	-Relief Valve	1	
7	58959594	-Seal Kit	1	

VR-80
PARTS MANUAL

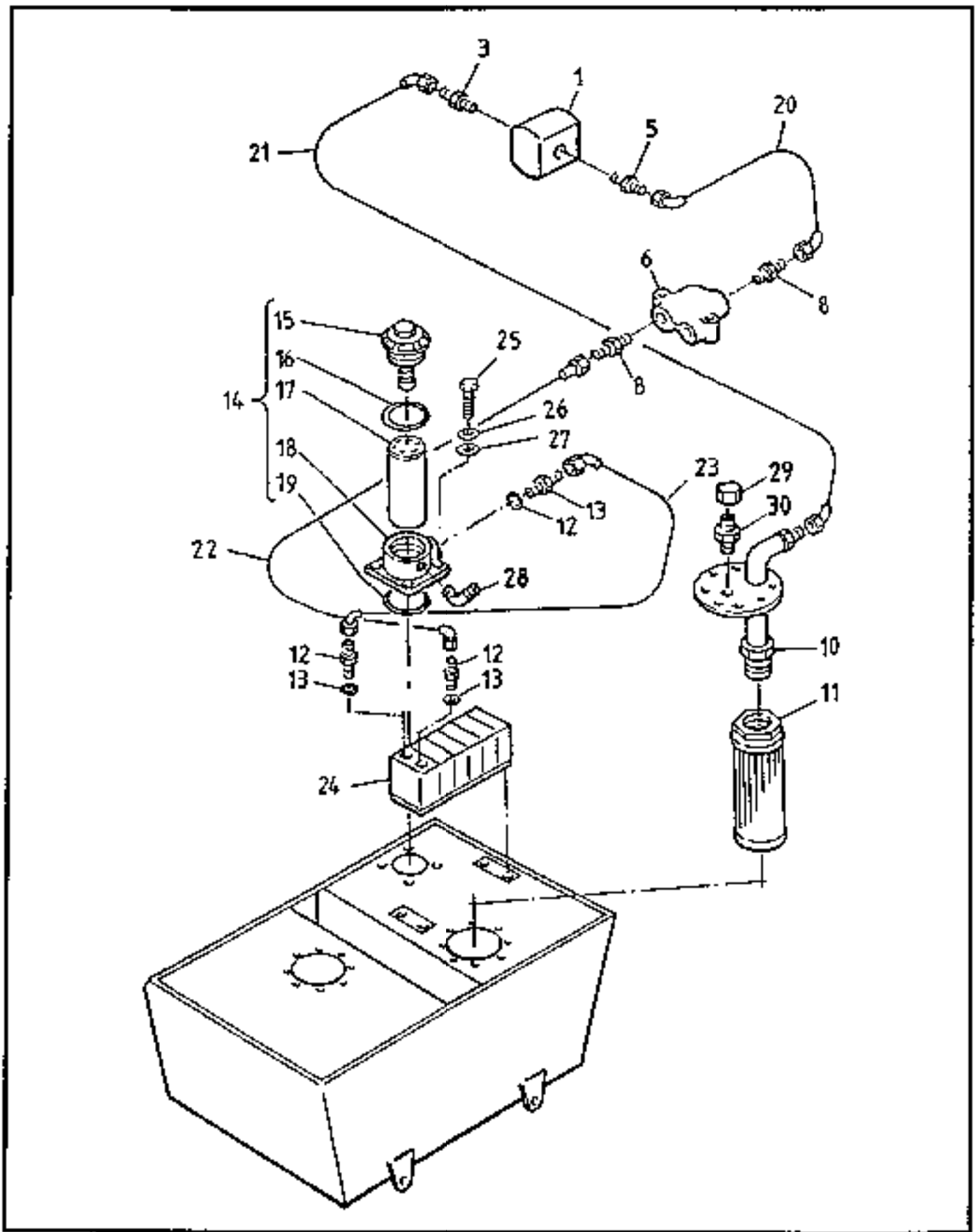


PRIORITY VALVE (5895629) - INTERNAL BREAKDOWN

PRIORITY VALVE (58959628) - INTERNAL BREAKDOWN

ITEM	COMM NO.	DESCRIPTION	QTY	DIMENSION / NOTES
**	58959628	Priority Valve	1	
1	58985946	-Spring	1	
2	58959610	-Seal Kit	1	
3	58985953	-Relief Valve	1	

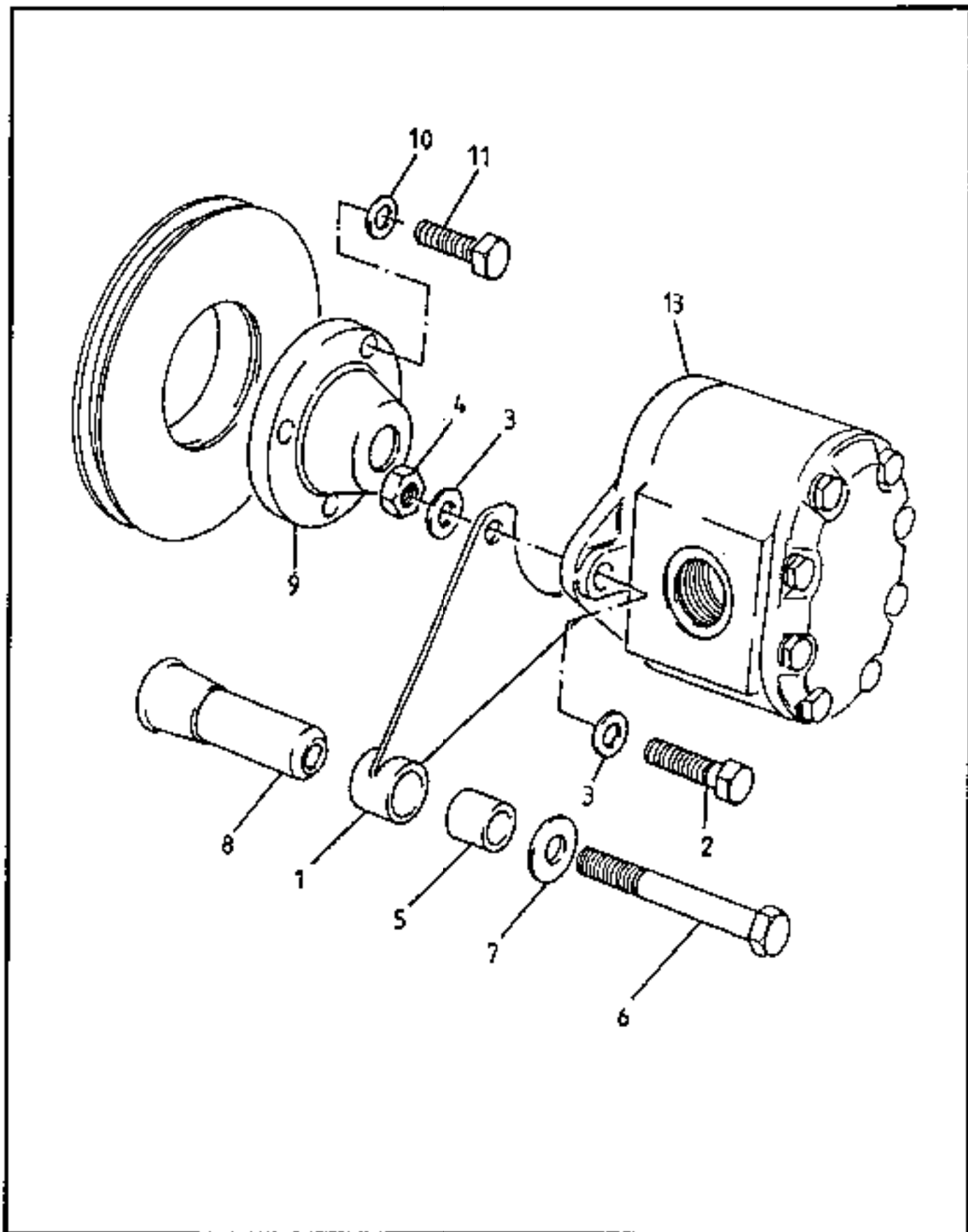
VR-50
PARTS MANUAL



MAIN HYDRAULIC CIRCUIT

MAIN HYDRAULIC CIRCUIT

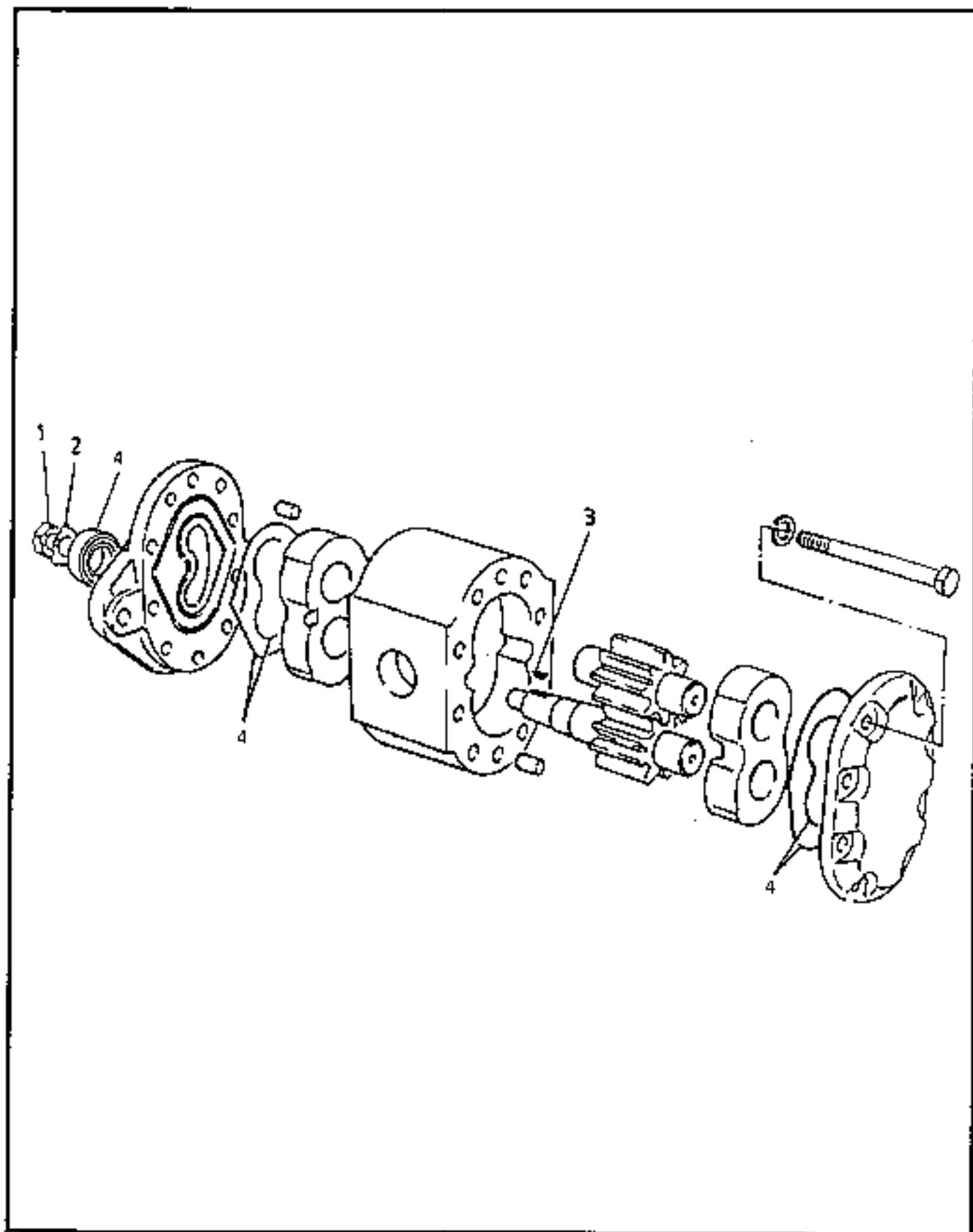
ITEM	COMM. NO.	DESCRIPTION	QTY	DIMENSION / NOTES
		Ref: HYD_CKT		
1	N.S.V.A.	PUMP DRIVE AND MOUNTING	1	See Breakdown
2	---	Deleted		
3	59070805	Adaptor	1	
4	---	Deleted		
5	59070813	Adaptor	1	
6	58959628	PRIORITY VALVE	1	See Breakdown
7	---	Deleted		
8	59070821	Adaptor	1	
9	58987306	Adaptor	1	
10	58985631	Suction Cover	1	
11	58960188	Suction Filter	1	
12	59070839	Adaptor	3	
13	58987364	Banded Seal	3	
14	58986183	Filter Assembly	1	
15	58960220	-Filter Cap	1	
16	58960196	-Seal Ring	1	
17	59070847	-Filter Element	1	
18	N.S.V.A.	-Filter Housing	1	
19	58960204	-Seal Ring	1	
20	59022277	Hose	1	Pump to Priority Valve
21	59070854	Hose	1	Tank to Pump
22	59022269	Hose	1	Priority Valve to Control Valve
23	59070862	Hose	1	Control Valve to Filter
24	58987363	CONTROL VALVE	1	See Breakdown
25	58981986	Screw	4	M6 x 25mm lg.
26	58981705	Lock Washer	4	M6
27	58981838	Flat Washer	4	M6
28	59070870	Elbow		
29	59070888	Cap		
30	59070896	Adapter		



PUMP DRIVE AND MOUNTING

PUMP DRIVE AND MOUNTING

ITEM	COMM NO.	DESCRIPTION	QTY	DIMENSION / NOTES
1	58960428	Bracket	1	
2	58987835	Bolt	2	
3	58987843	Washer	4	
4	58987850	Nut	2	
5	58960410	Resilient Bushing	1	
6	58987868	Bolt	1	
7	58987876	Washer	1	
8	58987884	Mounting Bracket	1	
9	58960402	Drive Flange	1	
10	58987892	Lock Washer	4	
11	58987900	Bolt	4	
12	58987918	Nut	1	Used with Item 6
13	58960352	HYDRAULIC PUMP ASSEMBLY	1	See Breakdown

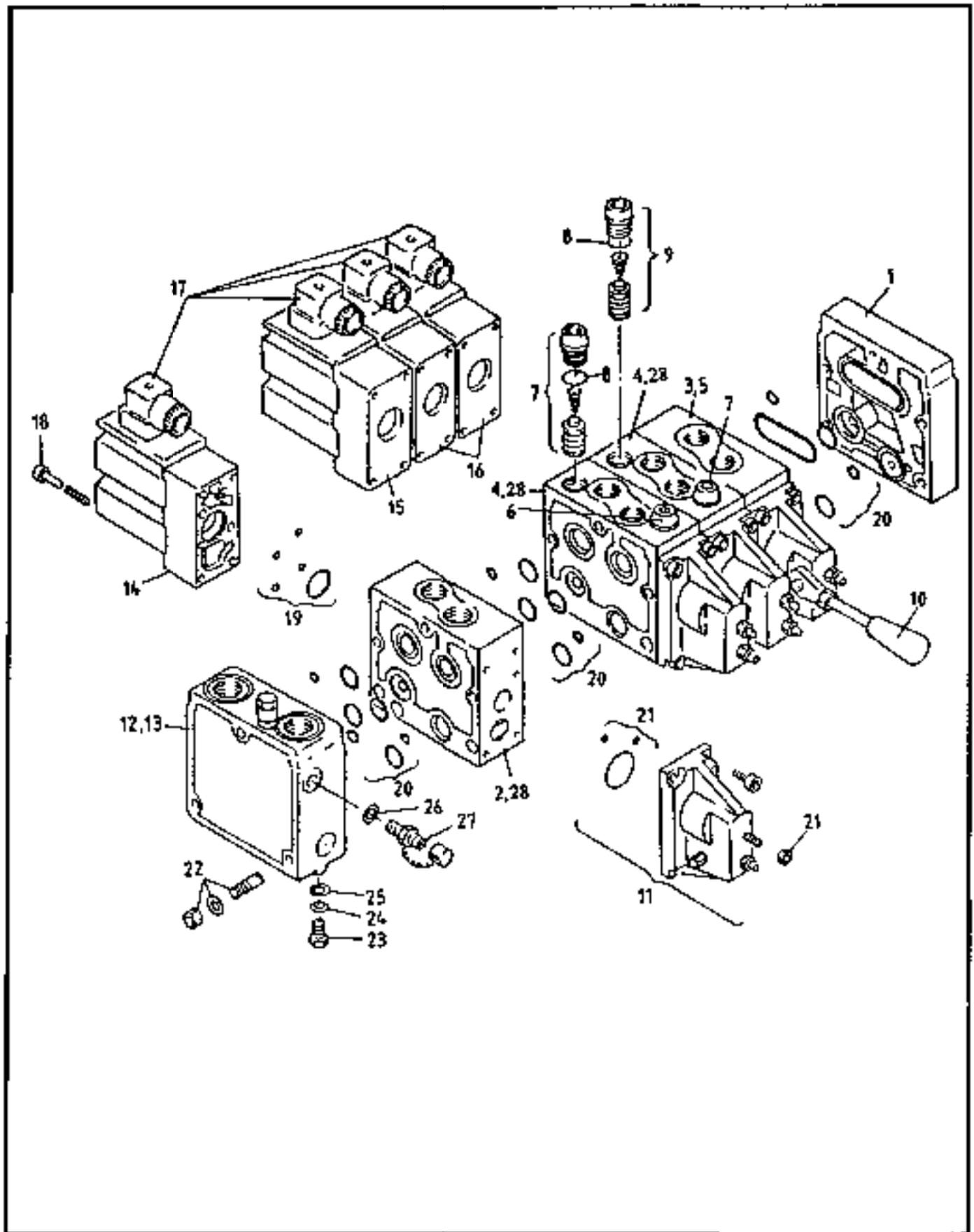


HYDRAULIC PUMP ASSEMBLY (58960352) - INTERNAL BREAKDOWN

HYDRAULIC PUMP ASSEMBLY (58960352)- INTERNAL BREAKDOWN

ITEM	COMM. NO.	DESCRIPTION	QTY	DIMENSION / NOTES
-	58960352	Hydraulic Pump Assembly	1	
1	58960360	-Nut	1	
2	58960378	-Tah Washer	1	
3	58960386	-Key	1	
4	58960394	-Seal Kit	1	

VR-50
PARTS MANUAL

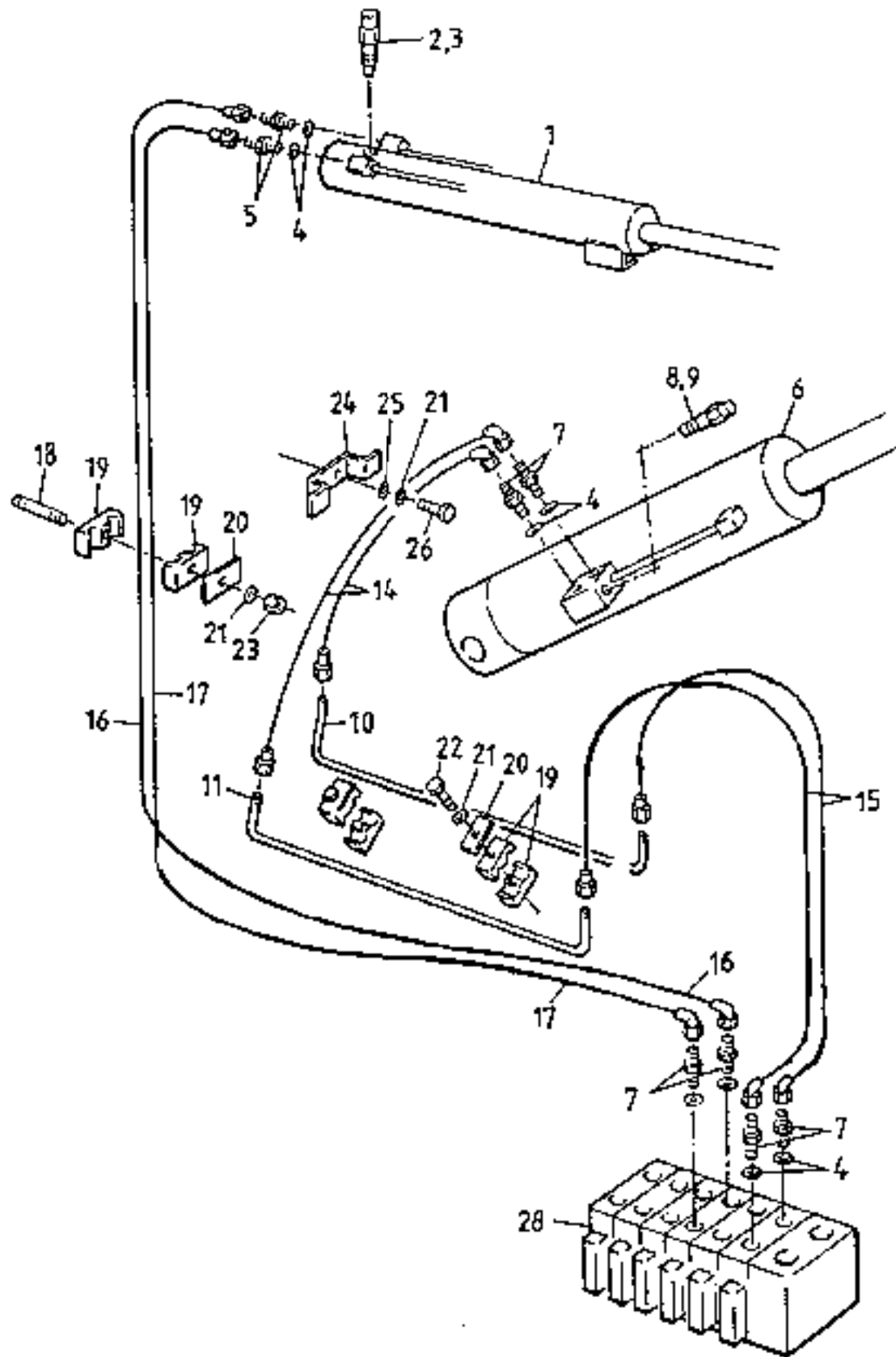


CONTROL VALVE ASSEMBLY (58987363) - INTERNAL BREAKDOWN

CONTROL VALVE ASSEMBLY (58987363) - INTERNAL BREAKDOWN

ITEM	COMM. NO.	DESCRIPTION	QTY	DIMENSION / NOTES
-	59070904	Control Valve Assembly	1	
1	58987926	-End Plate	1	
2	59070912	-Lift Circuit Module	1	
3	58987942	-Spool	1	Not Shown
4	59070920	-Tilt and Extension Circuit Module	2	
5	59070938	-Auxiliary Circuit Module	1	
6	58960477	-Check Valve	1	3335 psi (230 Bars)
7	58960469	-Check Valve	2	1800 psi (125 Bars)
8	58960451	-O-Ring	4	
9	58960444	-Anti-cavitation Valve (Includes Item 8)	1	
10	58987975	-Lever Assembly	1	
11	58987983	-Mechanical Module	4	
12	58987991	-Pump Side Module	1	
13	58960493	-Seal Kit	1	For Pump Side Module
14	58960543	-Electrical Lift Circuit Module Assembly (Includes Items 17, 18, and 19)	1	
15	58960485	-Electrical Tilt Circuit Module Assembly (Includes Items 17, 18, and 19)	1	
16	58960550	-Electrical Extension and Auxiliary -Circuit Module Assembly	2	
17	58960501	-Electrical Plug	4	
18	58988007	-Screw	16	M6 x 45 mm lg.
19	58960519	-Seal Kit	4	
20	58960527	-Seal Kit	5	
21	58960535	-Seal Kit	4	
22	58988015	-Tie Bolts and Seal Kit (Includes Item 20)	1	
23	58982034	Screw	3	M8 x 25mm lg.
24	58981713	Lock Washer	3	M8
25	58981846	Flat Washer	3	M8
26	59070946	Adaptee	1	
27	58960436	Circuit Pressure Test Point	1	
28	58988023	Spool	3	Not Shown

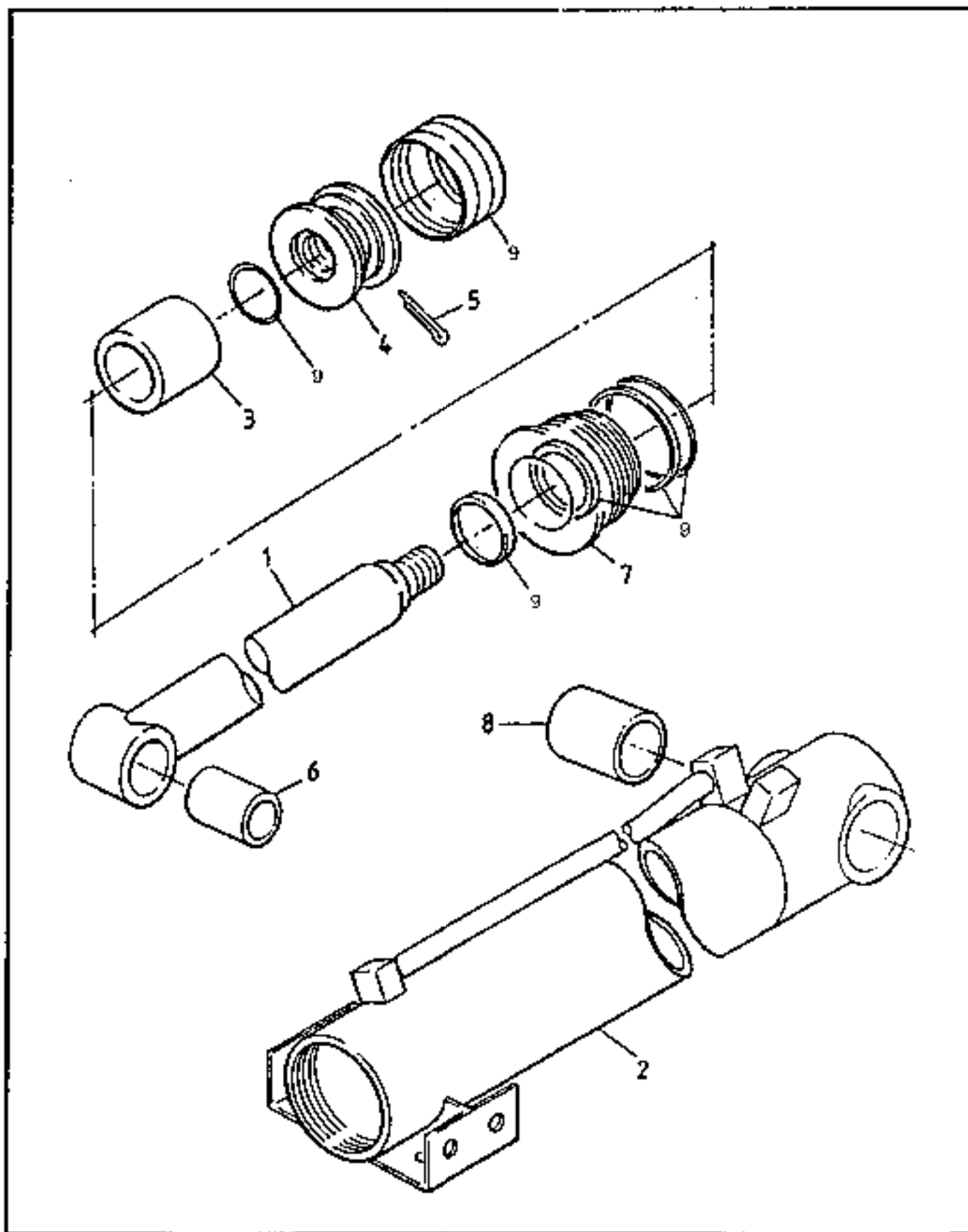
VR-50
PARTS MANUAL



EXTENSION AND LIFT HYDRAULIC CIRCUIT

EXTENSION AND LIFT HYDRAULIC CIRCUIT

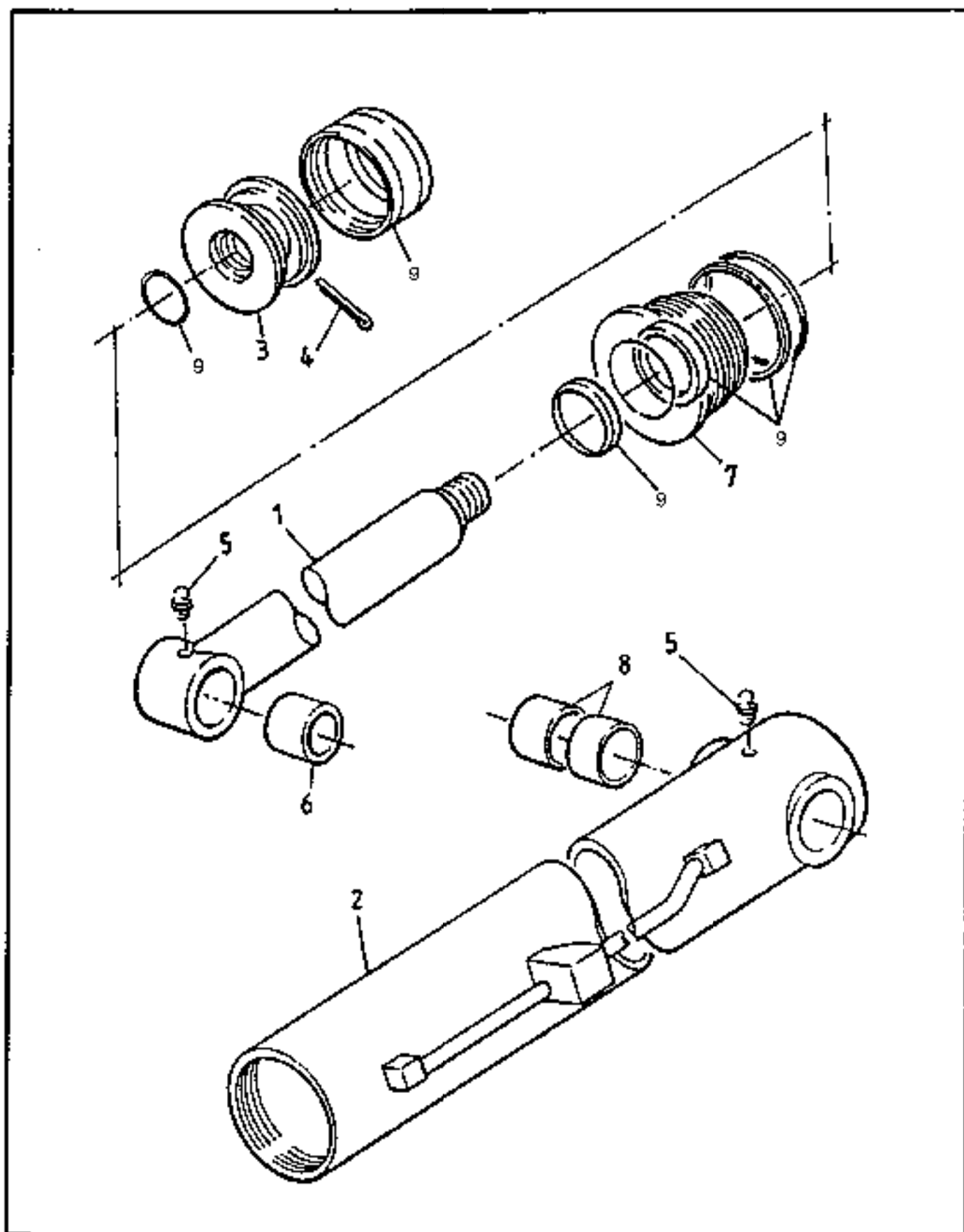
ITEM	COMM. NO.	DESCRIPTION	QTY	DIMENSION / NOTES
		<small>REF. EXT. HYD.</small>		
1	58960634	EXTENSION CYLINDER	1	See Breakdown
2	58960253	Load Holding Valve	1	
3	58960238	Valve Seal Kit	1	
4	58980624	Bonded Seal	4	
5	***	Deleted	4	
6	58960576	LIFT CYLINDER	1	See Breakdown
	59013508	Bonded Seal	4	
7	58987090	Adaptor	4	
8	58960261	Load Holding Valve	1	
9	58960246	- Valve Seal Kit	1	
10	59070961	Pipe Assembly	1	
11	59070979	Pipe Assembly	1	
12	58987405	Armored Guard	A/R	Specify Length
13	---	Deleted	2	
14	59023036	Hose	2	Pipe to lift Cylinder
15	59070987	Hose	2	Control Valve to Pipe
16	58987447	Hose	1	Control Valve to Extension Cylinder
17	58987454	Hose	1	Control Valve to Extension Cylinder
18	58987462	Stud	1	
19	58987470	Clamp Assembly	2	Supplied in Pairs
20	58987488	-Cover Plate	3	
21	58981713	Lock Washer	5	M8
22	58987066	Bolt	2	M8 x 95 mm lg
23	58981390	Self Locking Nut	1	M8
24	58987496	Retaining Clamp	1	
25	58981846	Flat Washer	2	M8
26	58982026	Screw	2	M8 x 20 mm lg.
27	58987504	Clamp Assembly (Includes Item 20)	1	Supplied in Pairs
28	58987363	CONTROL VALVE	1	See Breakdown



EXTENSION CYLINDER (53960634) - INTERNAL BREAKDOWN

EXTENSION CYLINDER (58960634) - INTERNAL BREAKDOWN

ITEM	COMM. NO.	DESCRIPTION	QTY	DIMENSION / NOTES
		Ref: EXT_CYL		
**	58960634	Extension Cylinder Assembly	1	
1	N.S.S	-Piston Rod	1	
2	N.S.S	-Cylinder	1	
3	N.S.S	-Spacer	1	
4	N.S.S.	-Piston	1	
5	N.S.S	-Center Pin	1	3/16" x 2 1/3" lg
6	N.S.S	-Bushing	1	
7	N.S.S	-Gland	1	
8	N.S.S	-Bushing	1	
9	58960642	Seal Kit	1	

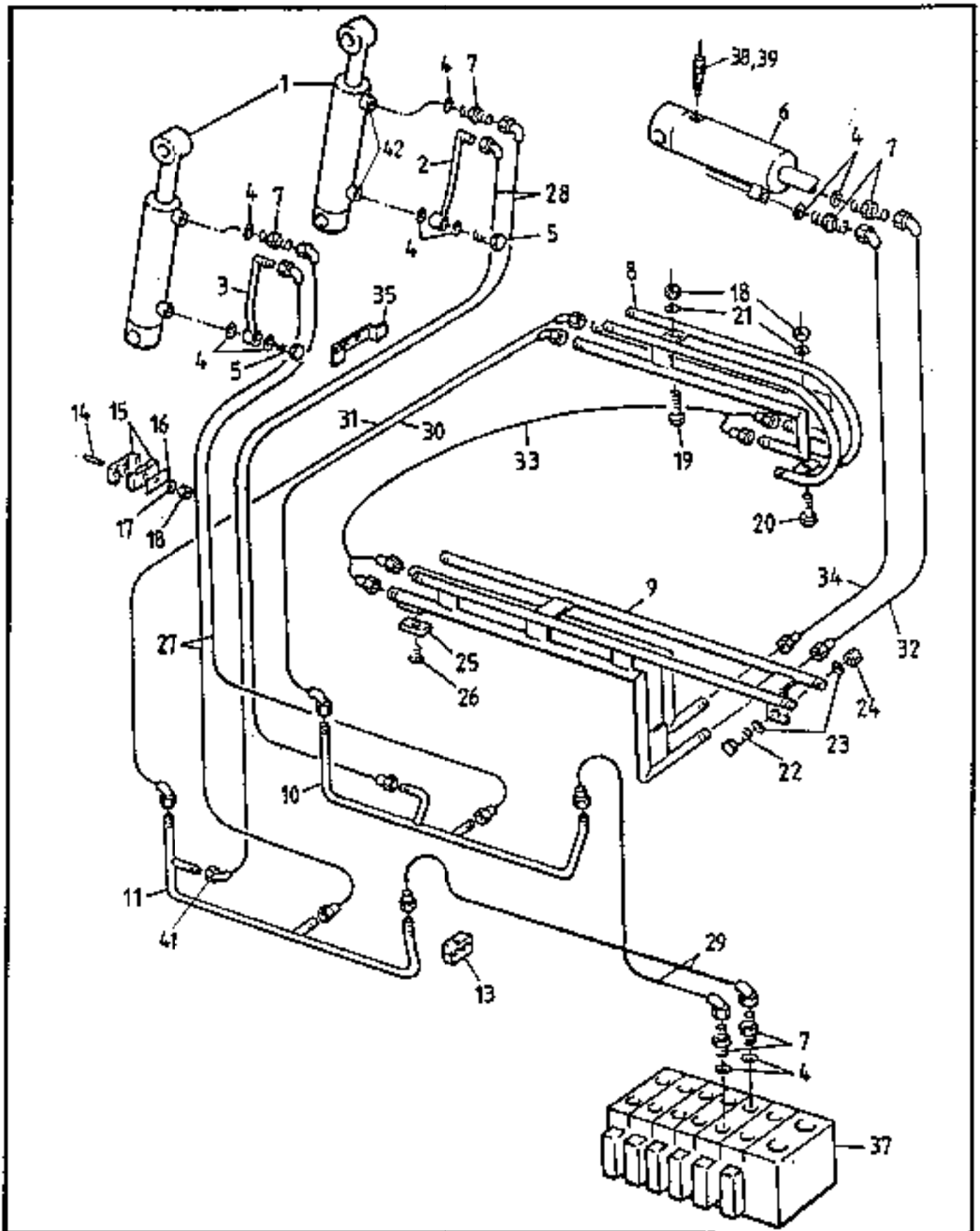


LIFT CYLINDER (58960576) - INTERNAL BREAKDOWN

LIFT CYLINDER (58960576) - INTERNAL BREAKDOWN

ITEM	COMM. NO.	DESCRIPTION	QTY	DIMENSION / NOTES
**	58960576	Lift Cylinder Assembly	1	
1	N.S.S.	-Piston Rod	1	
2	N.S.S.	-Cylinder	1	
3	N.S.S.	-Piston	1	
4	N.S.S.	-Cotter Pin	1	3/16" x 3 1/2" lg.
5	N.S.S.	-Grease Fitting	1	
6	N.S.S.	-Bushing	2	
7	N.S.S.	-Gland	1	
8	N.S.S.	-Bushing	1	
9	58960584	Seal Kit	2	

VR-50
PARTS MANUAL



TILT AND COMPENSATING RAM CIRCUIT

TILT AND COMPENSATING RAM HYDRAULIC CIRCUITS (Sheet 1 of 2)

ITEM	COMM. NO.	DESCRIPTION	QTY	DIMENSION / NOTES
1	58960691	COMPENSATING CYLINDER	2	See Breakdown
2	59070995	L.H. Pipe	1	
3	59023051	R.H. Pipe	1	
4	58985599	Bonded Seal	4	
5	59023044	Banjo Bolt	2	
6	58960758	TILT CYLINDER	1	See Breakdown
7	59070953	Adaptor	3	
8	58987546	Upper Pipe - Manifold Assembly	1	
9	59071019	Lower Pipe - Manifold Assembly	1	
10	59071027	Pipe Assembly - Manifold	1	
11	59071035	Pipe Assembly - Manifold	1	
12	-----	Deleted		
13	58987587	Clamp Assembly	2	Supplied in Pairs
14	58987595	Stud	2	
15	58987504	Clamp Assembly	2	Supplied in Pairs
16	58987587	Cover Plate	2	
17	58981713	Lock Washer	2	M8
18	58981390	Self Locking Nut	4	M8
19	58987074	Bolt	1	M8 x 65 mm lg
20	58987082	Bolt	1	M8 x 70 mm lg
21	58981846	Flat Washer	4	
22	58982075	Screw	1	M10 x 30 mm lg.
23	58981853	Flat Washer	2	M10
24	58981333	Nut	1	M10
25	58960279	Wear Pad	2	
26	58960287	Countersunk Screw	2	M8
27	59045534	Hose Assembly	2	Manifold Pipe to R.H. Compensating Cyl
28	59045542	Hose Assembly	2	Manifold Pipe to L/H. Compensating Cyl
29	59045559	Hose Assembly	2	Control Valve to Manifold Pipe
30	59045567	Hose Assembly	1	Manifold Pipe to Boom Manifold
31	59045575	Hose Assembly	1	Manifold Pipe to Boom Manifold
32	59022590	Hose Assembly	2	Sliding Manifold to Tilt Cylinder
33	59022673	Hose Assembly	1	Twin Manifold to Manifold
34	59022012	Hose Assembly	1	Sliding Manifold to Tilt Cylinder

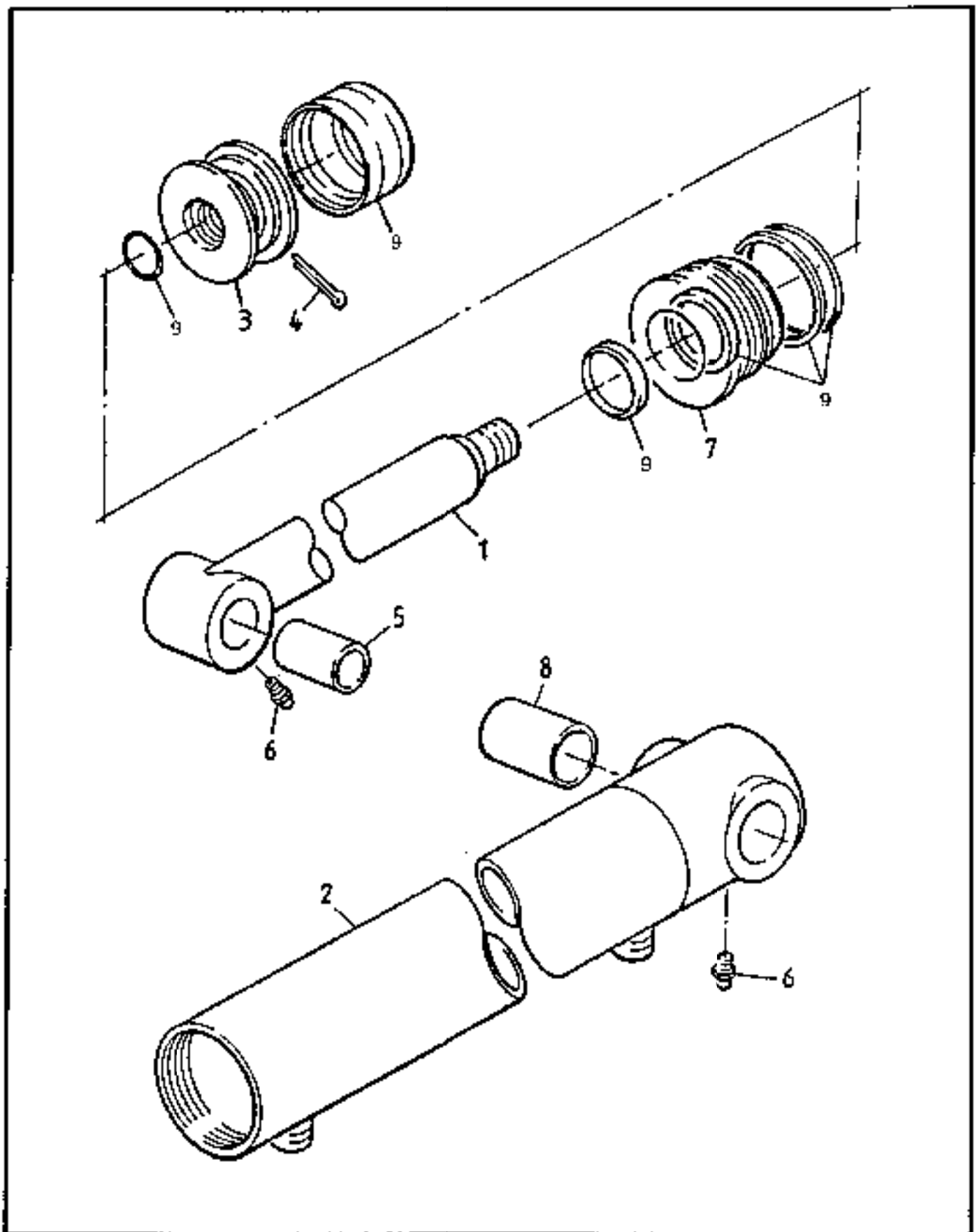
CONTINUED

VR-50
PARTS MANUAL

****Always Use Ingersoll-Rand Replacement Parts!****

TILT AND COMPENSATING RAM HYDRAULIC CIRCUITS

ITEM	COMM. NO.	DESCRIPTION	QTY	DIMENSION / NOTES
35	58987496	Retaining Bracket	1	
36	-----	Deleted		
37	58987363	CONTROL VALVE	1	See Breakdown
38	58960311	Load Holding Valve	1	
39	58987678	-Seal Kit	1	
40	58987405	Armored Guard	A/R	Specify Length
41	59021758	Adapter	1	
42	59021766	Adapter	2	

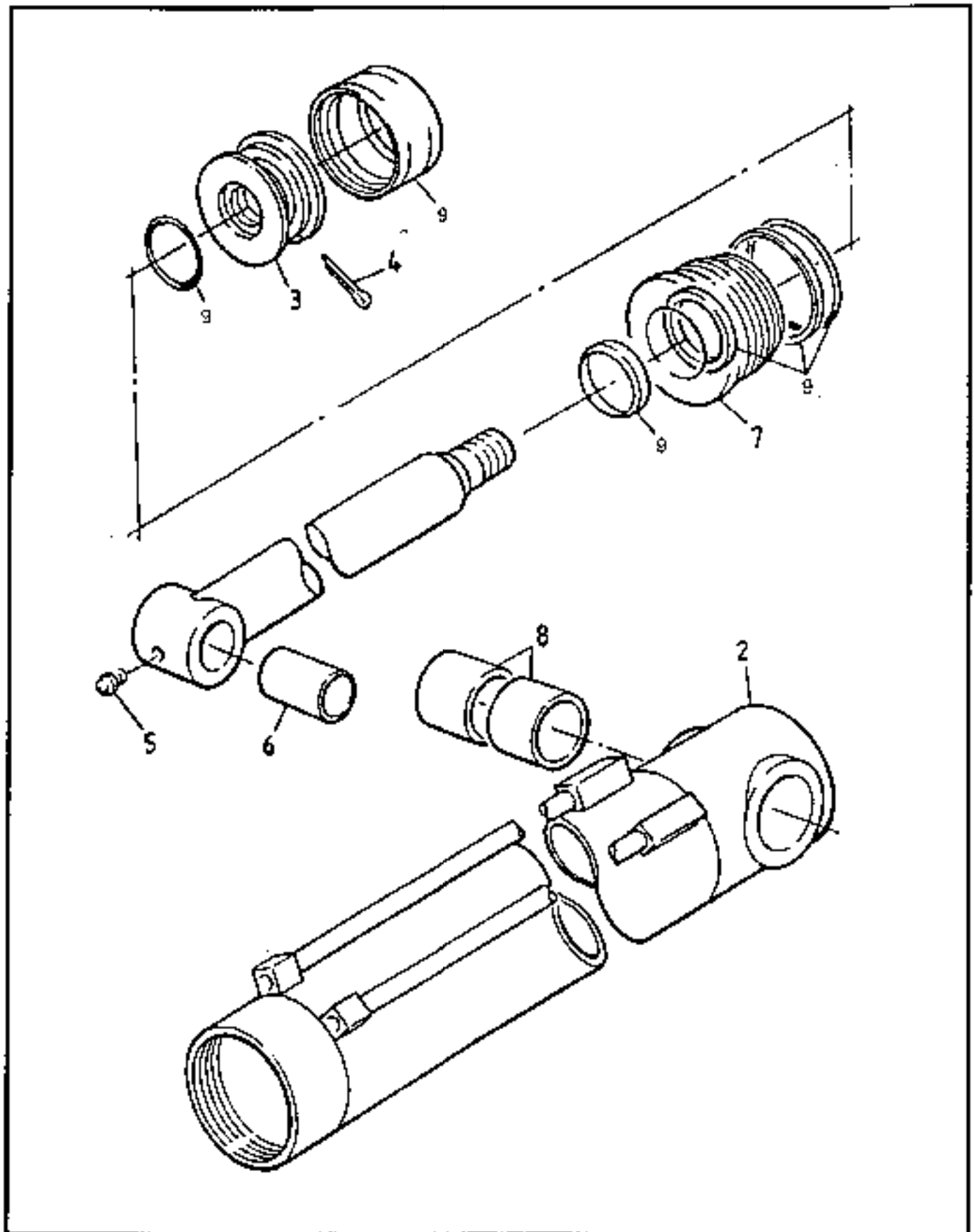


COMPENSATING CYLINDER (S896691) INTERNAL BREAKDOWN

COMPENSATING CYLINDER (58960691) - INTERNAL BREAKDOWN

ITEM	COMM. NO.	DESCRIPTION	QTY	DIMENSION / NOTES
**	58960691	Compensating Cylinder	2	
1	N.S.S.	-Piston Rod	1	
2	N.S.S.	-Cylinder	1	
3	N.S.S.	-Piston	1	
4	N.S.S.	-Cotter Pin	1	3/16" x 2 3/4" lg.
5	N.S.S.	-Bushing	1	
6	N.S.S.	-Grease Fitting	2	
7	N.S.S.	-Gland	1	
8	N.S.S.	-Bushing	1	
9	58960709	Seal Kit	1	

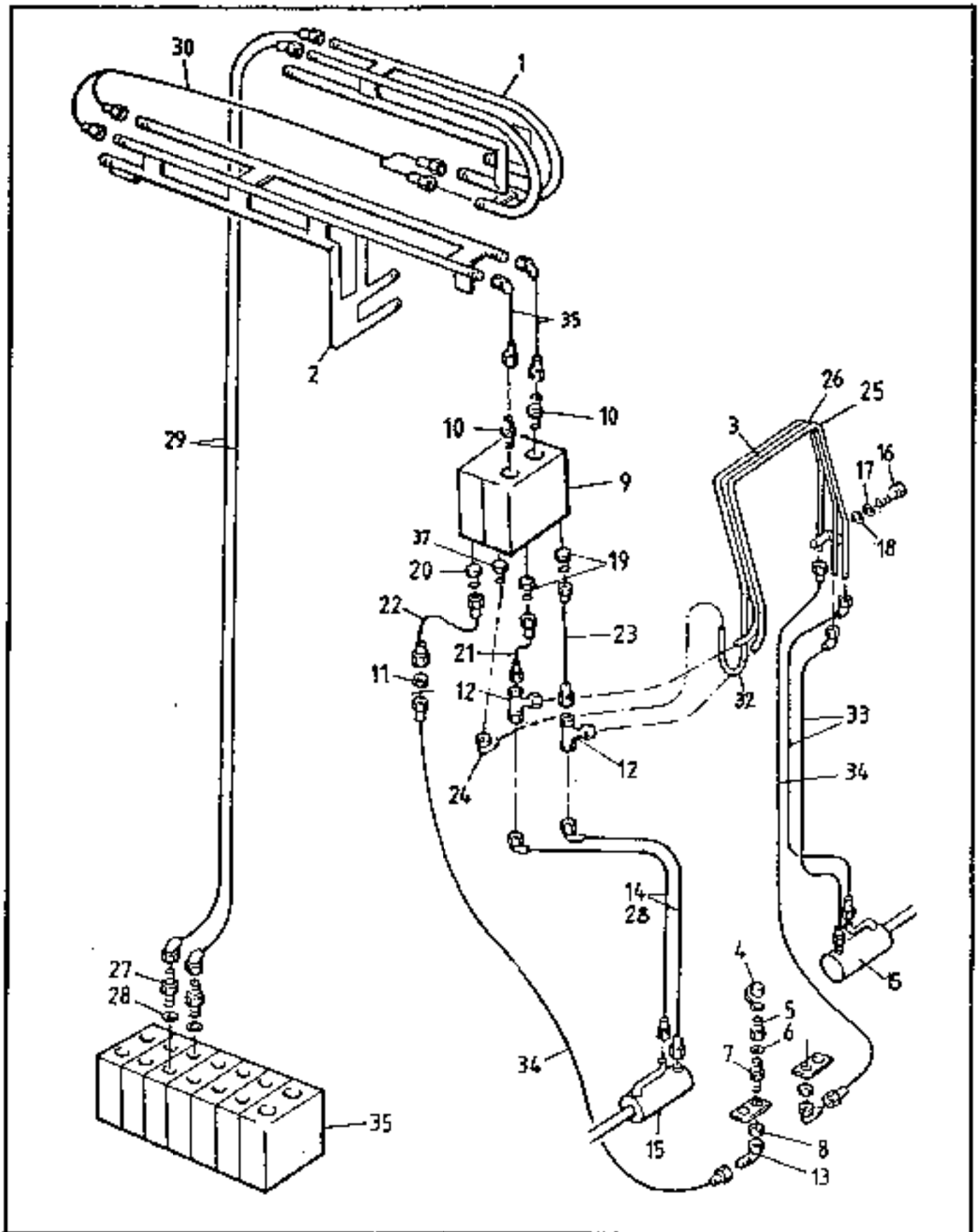
VR-50
PARTS MANUAL



TILT CYLINDER (48960755) - INTERNAL BREAKDOWN

TILT CYLINDER (58960758) - INTERNAL BREAKDOWN

ITEM	COMM. NO.	DESCRIPTION	QTY	DIMENSION / NOTES
**	58960758	Tilt Cylinder	1	
1	N.S.S.	-Piston Rod	1	
2	N.S.S.	-Cylinder	1	
3	N.S.S.	-Piston	1	
4	N.S.S.	-Roll Pion	1	1/4" x 3" lg.
5	N.S.S.	-Grease Fiting	1	1/8" BSP
6	N.S.S.	-Bushing	1	
7	N.S.S.	-Gland	1	
8	N.S.S.	-Bushing	1	
**	58960766	Seal Kit	1	

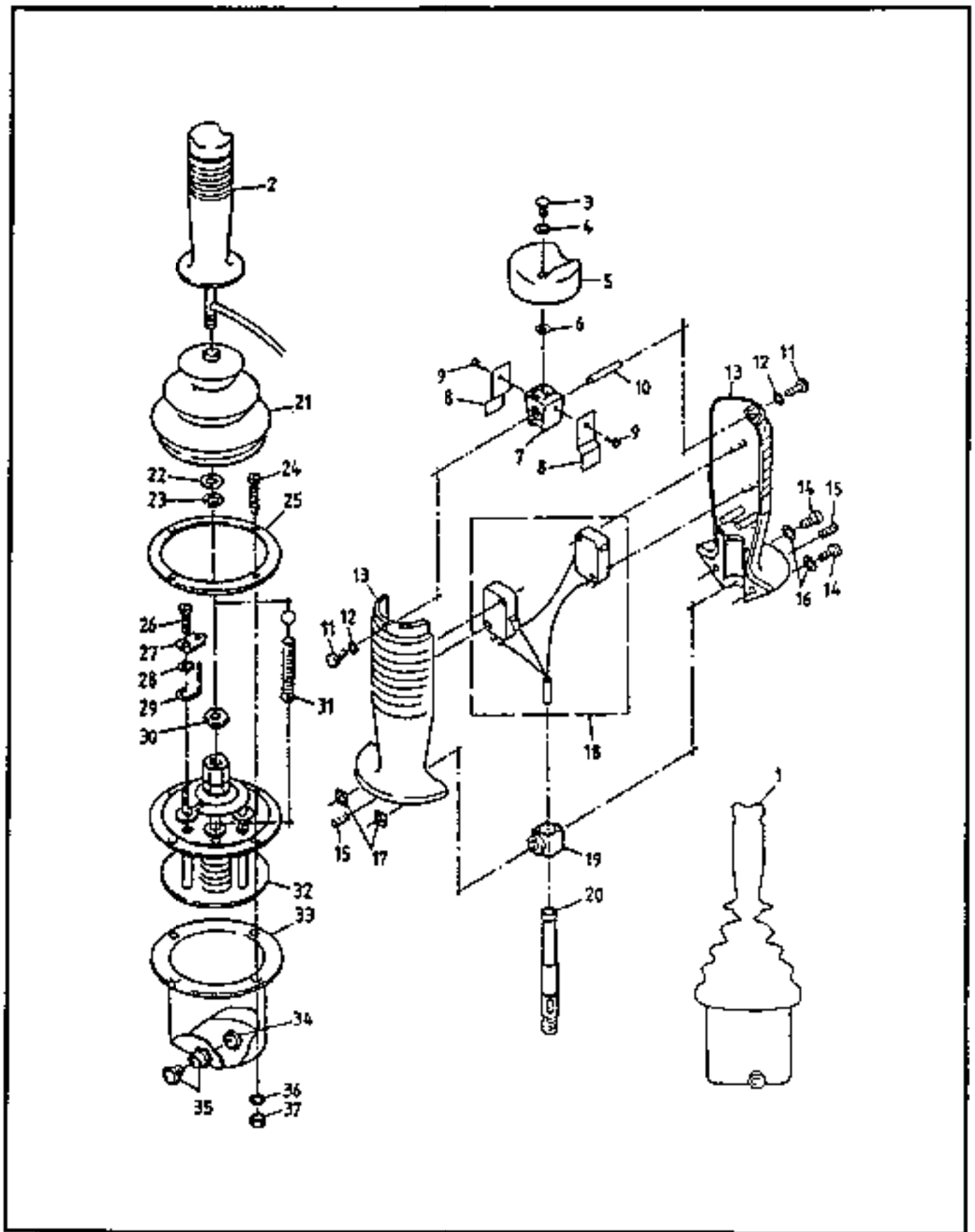


PLUNGER RAM AND AUXILIARY HYDRAULIC CIRCUITS

PLUNGER RAM AND AUXILIARY HYDRAULIC CIRCUITS

ITEM	COMM. NO.	DESCRIPTION	QTY	DIMENSION / NOTES
		<i>See Breakdown</i>		
1	58987546	Upper Pipe - Manifold Assembly		
2	58987553	Lower Pipe - Manifold Assembly		
3	59071043	Boom Head Manifold		
4	58960329	Dust Cover		
5	58960337	Self Seal Coupling		
6	58985557	Bonded Seal		
7	58985540	Adaptor		
8	58987694	-Lock Nut		
9	59071076	Valve Diverter, Manual	1	
10	59070649	Adapter, ORFS	2	3/8" BSP - 11/16"-16
11	58987702	Adapter, 3/8"		
12	59045864	Tee, 1/4"		
13	58987744	Elbow Adaptor		
14	59071043	Pipe Assembly	1	
15	58960816	Plunger Ram Assembly		
	58960824	-Seal Kit		
16	58981507	Bolt	1	M8 x 90 mm lg.
17	58981713	Lock Washer		M8
18	58981846	Flat Washer		M8
19	59045872	Adapter	2	3/8" M - 1/4 F
20	59045880	Adapter	1	BSP F/M
21	59071092	Pipe - C/O Valve	1	
22	59025294	Pipe - C/O Valve	1	
23	59071001	Pipe - C/O Valve	1	
24	58987744	Elbow, 90 degree F/M	1	3/8"
25	58987819	Pipe to Extend Plunger	2	
26	58987819	Pipe to Retract Plunger	2	
27	59071050	Adaptor		
28	58987782	Auxiliary Feed Pipe - Near Side	1	
29	59071068	Hose	2	Control Valve to Fixed Manifold
30	59022681	Twin Hose Assembly	1	Manifold to Manifold
31	59022699	Hose	2	Sliding Manifold to Self Seal
32	58987808	Auxiliary Feed Pipe - Off Side		
33	58987819	Hose	4	Boom Head Manifold to Locking Cylinder
34	58987827	Hose	2	Carriage Auxiliary
35	59022691	Feed Pipes	2	
36	58987363	CONTROL VALVE ASSEMBLY	1	See Breakdown
37	58985565	Adapter	1	3/8" BSP

VR-50
PARTS MANUAL

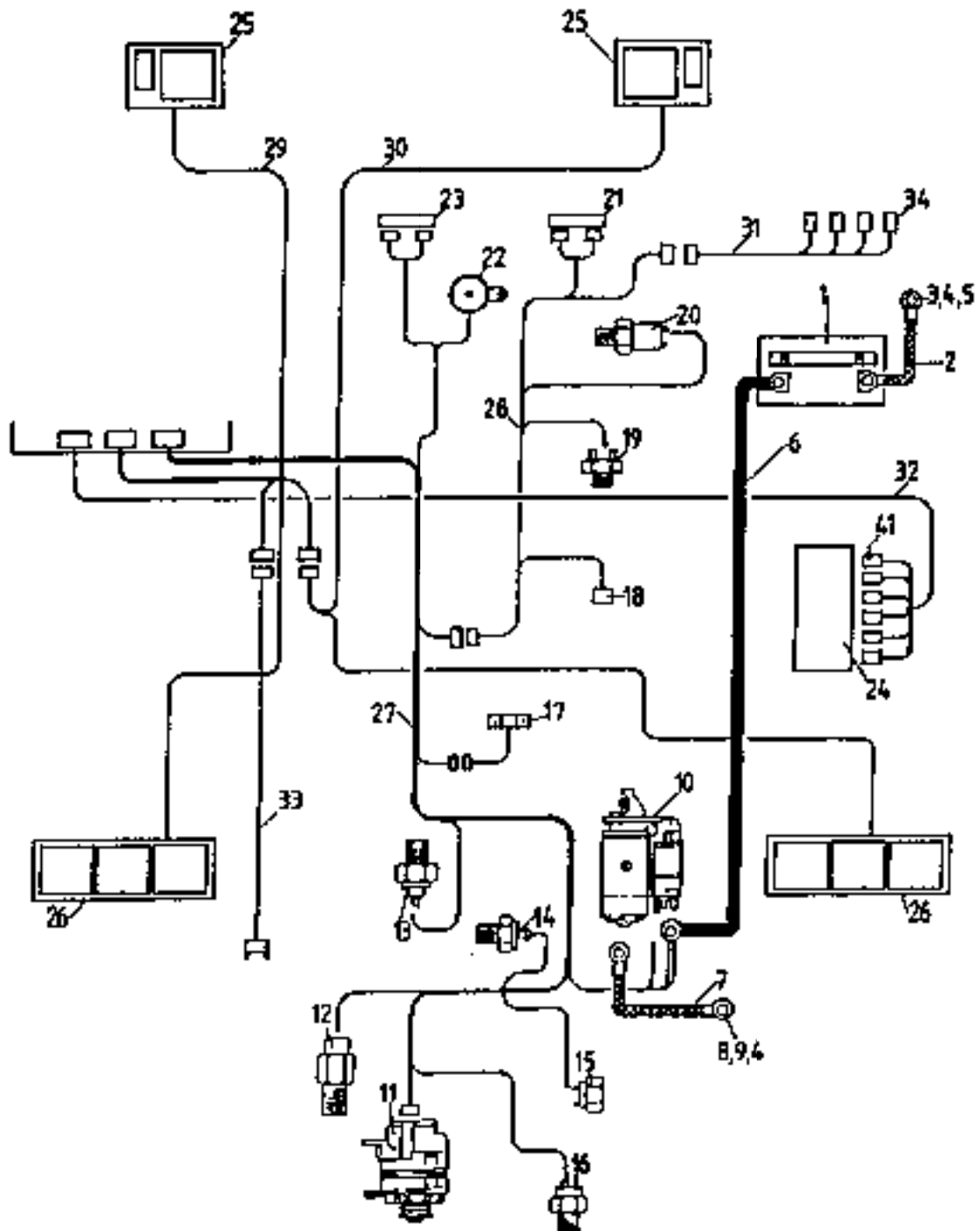


CONTROL LEVER (58988031) - INTERNAL BREAKDOWN

CONTROL LEVER (58988031) - INTERNAL BREAKDOWN

ITEM	COMM. NO.	DESCRIPTION	QTY	DIMENSION / NOTES
1	58988031	Control Lever	1	
2	58988049	-Lever Assembly	1	
3	58988056	-Screw	1	
4	58988064	-Toothed Disc	1	
5	58988072	-Knob	1	
6	58988080	-Seal	1	
7	58988098	-Activation Block	1	
8	58988106	-Spring	2	
9	58988114	-Screw	2	
10	58988122	-Shaft	1	
11	58988130	-Screw	2	
12	58988148	-Toothed Disc	2	
13	58988155	-Cover	2	
14	58988163	-Screw	2	
15	58988171	-Screw	2	
16	58988189	-Lock Washer	2	
17	58988197	-Lock Nut	2	
18	N.S.S.	-Switch and Wiring Loom	1	
19	58988205	-Fixture	1	
20	58988213	-Shaft	1	
21	58960568	-Rubber Bellows	1	
22	58988221	-Nylon Disc	1	
23	58988239	-Lock Ring	1	
24	58988247	-Screw	4	
25	58988254	-Ring	1	
26	58988262	-Screw	1	
27	58988270	-Lock Fitting	1	
28	58988288	-Washer	1	
29	58988296	-Guide Pin	1	
30	58988304	-Lock Nut	1	
31	58988312	-Sleeve	1	
32	N.S.S.	Control Unit	1	
33	58988320	-Cover	1	
34	58988338	-Lock Nut	1	
35	58988346	-Connector	1	
36	58988353	-Toothed Disc	4	
37	58988361	-Nut	4	

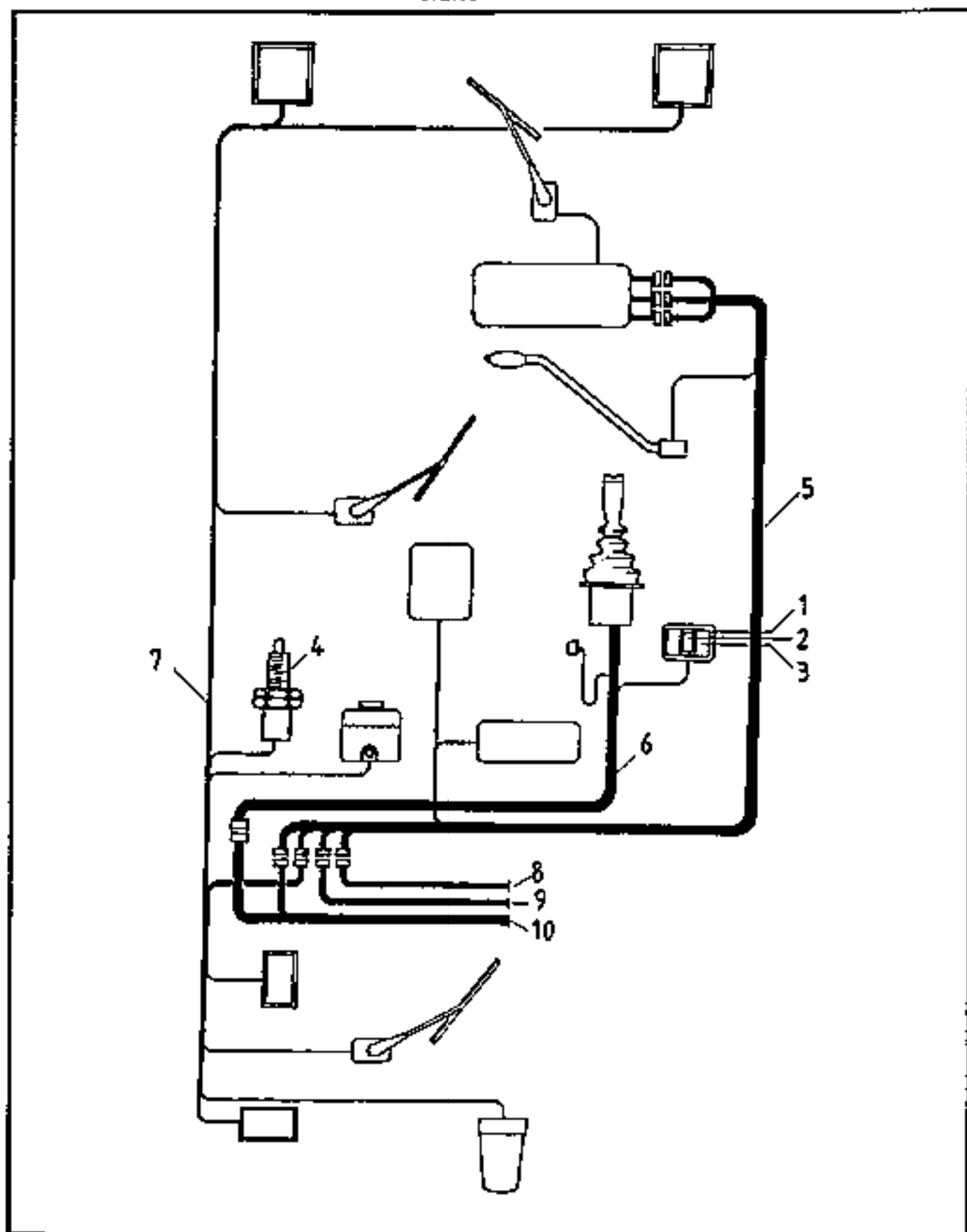
VR-50
PARTS MANUAL



CHASSIS WIRING AND ELECTRICAL

CLASSIS LOOMS AND ELECTRICAL

ITEM	COMM. NO.	DESCRIPTION	QTY	DIMENSION / NOTES
1	58988957	Battery	1	
	59071142	Battery Clamp	1	Not Shown
2	58988965	Battery Cable	1	Negative
3	58982034	Screw	1	M8 x 25mm lg.
4	58981846	Washer	3	M8
5	58981390	Self Locking Nut	1	M8
6	58988973	Battery Cable	1	Positive
7	58988981	Ground Strap	1	
8	58982026	Screw	1	M8 x 20mm lg.
9	58981713	Lock Washer	1	M8
10	58988999	Starter	1	
11	58989005	Alternator	1	
12	59816322	Transmission Oil Temperature Sender	1	
13	58989013	Glow Plug	1	
14	59638478	Engine Oil Pressure Switch	1	
15	58989021	Engine Stop Solenoid	1	
16	59071100	Engine Water Temperature Sender	1	S/N 6000 thru 6029
	59071118	Engine Water Temperature Sender	1	Effective S/N 6030
16A	59071126	Switch - Engine Temperature (Order this item with 59071118)	1	S/N 6000 thru 6029
17	-----	Deleted	1	
18	58960873	2WD Solenoid	1	
19	58960881	Top Gear 2WD Mode Switch	1	
20	58960899	Transmission Oil Pressure Switch	1	
21	58960907	Forward/Reverse Solenoid	1	
22	58989039	Horn	1	
23	58989047	Steering Mode Valve	1	
24	59070904	Hydraulic Control Valve Assembly	1	See Breakdown
25	58989104	Head Light Assembly	1	Right Hand
-	58989112	Head Light Assembly	1	Left Hand
26	58961079	Tail Light Assembly	1	Right Hand
-	58961061	Tail Light Assembly	1	Left Hand
27	58989054	Engine Loom	1	
28	58989062	Transmission Loom	1	
29	58989070	L.H. Light Loom	1	
30	58989088	R.H. Light Loom	1	
31	58989096	Fuel Tank Loom	1	
32	58989120	Control Valve Loom	1	
33	-----	Deleted		
34	59472209	Fuel Level Transmitter	4	

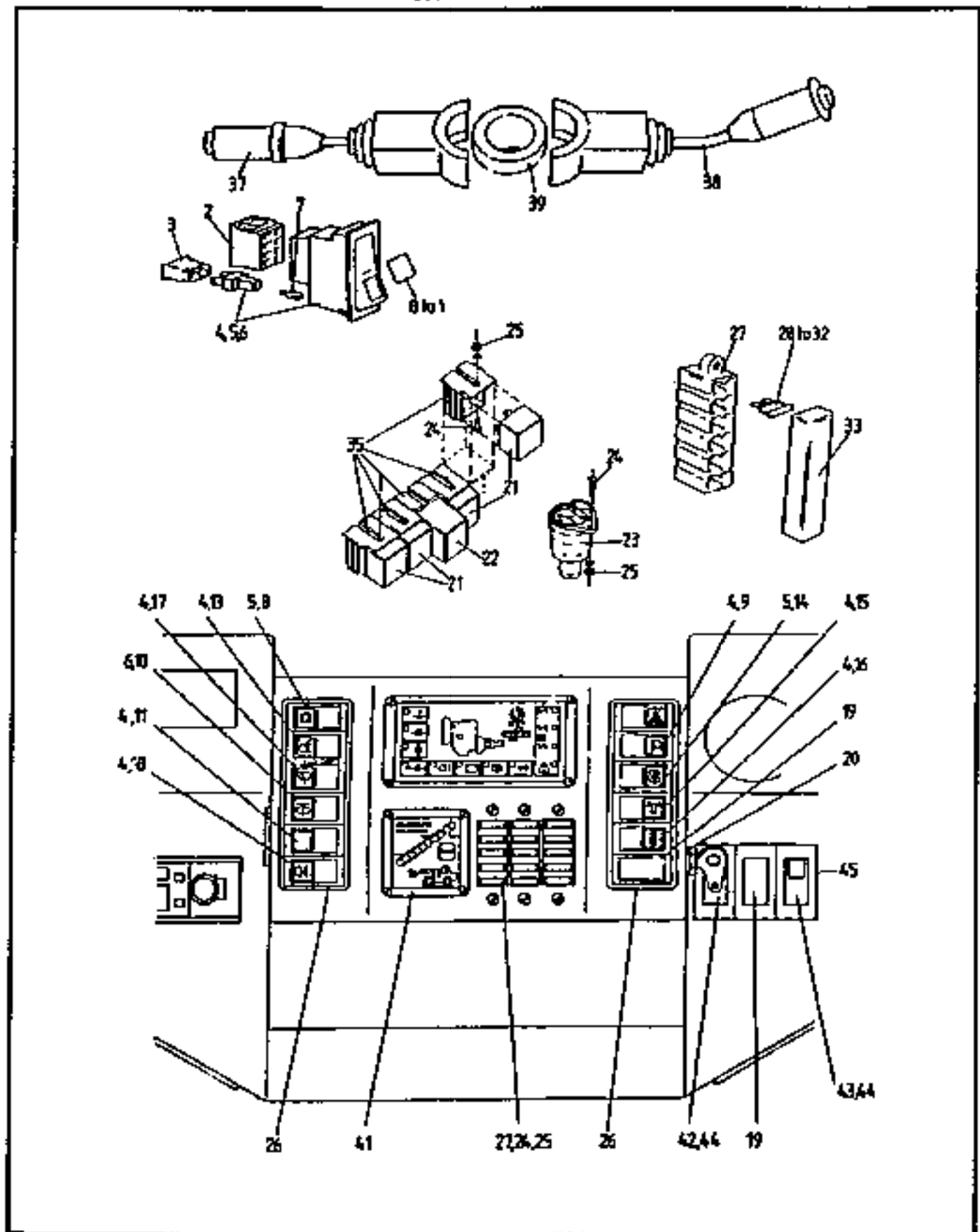


CHASSIS LOOMS AND ELECTRICAL

CAB WIRING AND ELECTRICAL

ITEM	COMM. NO.	DESCRIPTION	QTY	DIMENSION / NOTES
		<small>Ref: 26, 620</small>		
1	58989138	Bezel	1	
2	58960915	Switch - 3 Way	1	
3	58989146	Lens - Blank	2	
4	58958471	Switch - Haulbrake	1	
5	59071480	Loom - Cab	1	
6	59046706	Loom - Electric/Hydraulic Control	1	
7	59071498	Loom - Cab	1	
8	59076722	Loom - Engine	1	
9	59046698	Loom - LH Lights	1	
10	59046748	Loom - Control Valve	1	
11	59045211	Back-Up Alarm	1	Not Shown

VR-50
PARTS MANUAL



INSTRUMENT PANEL

INSTRUMENT PANEL

ITEM	COMM NO.	DESCRIPTION	QTY	DIMENSION / NOTES
1	N.S.S.	Panel Assembly - Consists of Items 1 to 36	1	
2	59071159	Connector	13	
3	59071167	Connector	11	
4	58961020	Switch - 2 Position	7	
5	58960931	Switch - 3 Position	2	
6	58960949	Switch - Spring Return	1	
7	59071175	Bulb	11	
8	59071183	Lens - Side & Head Lights	1	
9	59071191	Lens - Front Working Lights	1	
10	59071209	Lens - Washer	1	
11	59071217	Lens - Transmission Disconnect	1	
13	59071225	Lens - Rear Working Lights	1	
14	59071233	Lens - Heater Fan	1	
17	59071241	Lens - Roof Wiper Motor	1	
19	59071258	Plate - Blanking	2	
20	59021592	Switch - Ignition	1	
	59021600	Key - Only	1	
21	58960956	Relay	5	
22	58961038	Flasher Unit	1	
23	58960964	Buzzer - Warning	1	
24	59071266	Screw - Cheese Head	9	2BA x 1/2
25	59071274	Nut - Plain	9	2BA x 1/2
26	59071282	Bezel - Switch Mounting	2	
27	59022020	Fuse Box	3	
28	59071290	Fuse - 3 Amp - Violet	1	
29	58960972	Fuse - 5 Amp - Tan	1	
30	58960980	Fuse - 7.5 Amp - Brown	3	
31	58960998	Fuse - 10 Amp - Red	5	
32	58961004	Fuse - 15 Amp - Blue	5	
33	59022020	Cover - Fuse Box	3	
35	59071308	Connector	6	
37	58961016	Switch - Forward and Reverse	1	
38	58961053	Switch - Multi-function	1	
39	59071316	Spacer	1	
42	58961012	Switch - Steer Modes	1	
43	58961020	Switch - 2/4 Wheel Drive	1	
44	58989146	Lens - Plain Black	1	
45	58989138	Bezel	1	
46	59455495	Engine Water Temp Dash Light	1	Not Shown
47	59989558	Hourmeter Dash Light		Not Shown
48	59455303	Engine Oil Temp Dash Light		Not Shown
49	59455469	Engine Oil Pressure Gauge Dash Light		Not Shown

CONTINUED

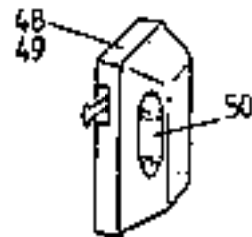
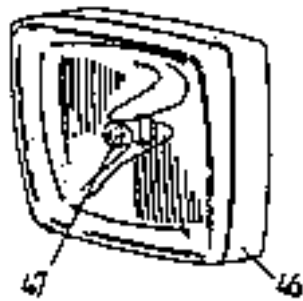
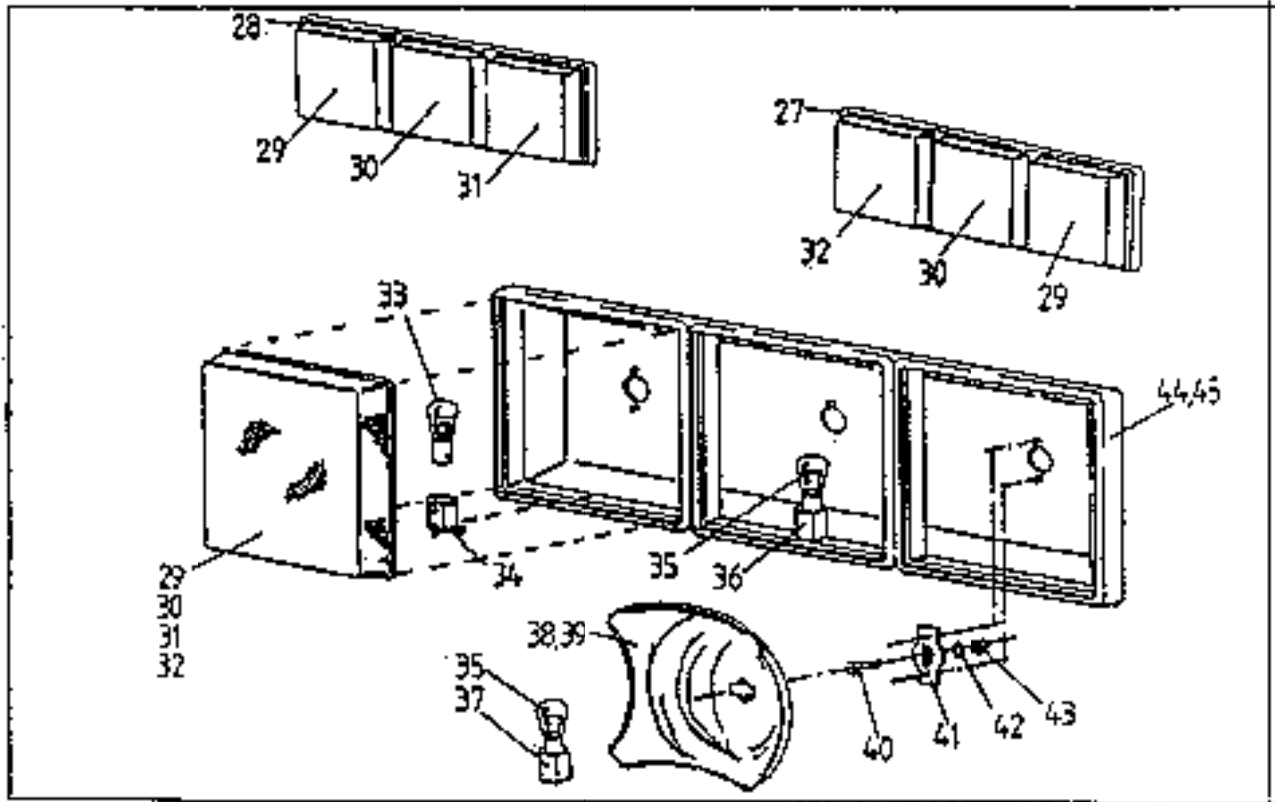
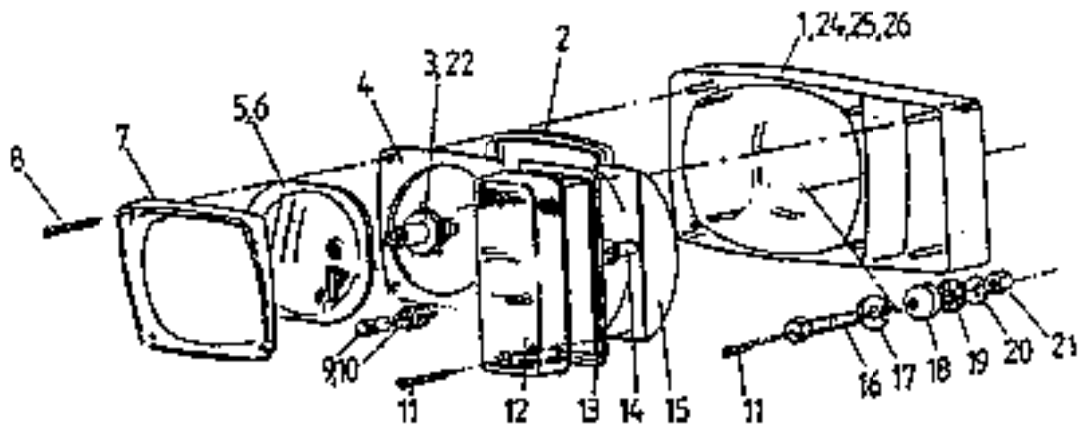
VR-50
PARTS MANUAL

****Always Use Ingersoll-Rand Replacement Parts!****

INSTRUMENT PANEL (Sheet 2 of 2)

ITEM	COMM NO.	DESCRIPTION	QTY	DIMENSION / NOTES
50	59816736	Voltmeter	1	Not Shown
51	59731281	Fuel Gauge	1	Not Shown
52	59071407	Warning Light, Park Brake - Red	1	Not Shown
53	59071415	Warning Light, Blanking Plug	1	Not Shown
54	59071423	Warning Light, Transmission Oil Pressure	1	Not Shown
55	59071431	Warning Light, Hyd Filter Restrictor	1	Not Shown

VR-50
PARTS MANUAL



LIGHTS

LIGHTS (Sheet 1 of 2)

ITEM	COMM. NO.	DESCRIPTION	QTY	DIMENSION / NOTES
**	58989104	R.H. Headlight Assembly (Includes Items 1 to 4 and 7 to 25)	1	
**	58989112	L.H. Headlight Assembly (Includes Items 1 to 4, 6 to 24, and 26)	1	
1	58989229	Housing Assembly (Includes Items 16 to 21)	1	
2	58989237	Support	1	
3	58989245	Headlight Bulb	1	
4	58989252	Gasket	1	
5	58961087	R.H. Light Unit	1	
6	58961095	L.H. Light Unit	1	
7	58989260	Bezel	1	
8	58989278	Screw	4	
9	58989286	Side Lights Bulb	1	
10	58989294	Bulb Holder	1	
11	58989302	Screw	3	
12	58989310	Indicator Light Lens	1	
13	58989328	Spacer	1	
14	58989336	Indicator Bulb	1	
15	58989344	Reflector	1	
16	58981564	Bolt	1	M10 x 70mm lg.
17	58989351	Tab Washer	1	
18	58989369	Spherical Washer	1	
19	58989401	Spherical Washer	1	
20	58989377	Spherical Washer	1	
21	58981408	Self Locking Nut	1	M10
22	58989385	Bulb Retaining Spring Clip	1	Not Shown
23	58989393	Headlight Bulb Connector	1	Not Shown
24	58989419	Housing Assembly Grommet	1	Not Shown
25	58989427	R.H. Headlight Wiring Harness	1	Not Shown
26	58989435	L.H. Headlight Wiring Harness	1	Not Shown
27	58961079	R.H. Rear Lamp Assembly (Includes Items 29, 30, 32 to 37, 39 and 45)	1	
28	58961061	L.H. Rear Lamp Assembly (Includes Items 29 to 31, 33 to 38, 40, and 45)	1	
29	59071324	Stop/Tail Light Lens	1	
30	59071332	Indicator Light Lens	1	
31	59071340	Back up Light Lens	1	
32	58989534	Fog Light Lens	1	
33	58989468	Stop/Tail Light Bulb	1	
34	58989476	Bulb Holder	1	
35	58989484	Indicator/Fog/Indicator Light Bulb	2	
36	58989492	Bulb Holder	1	

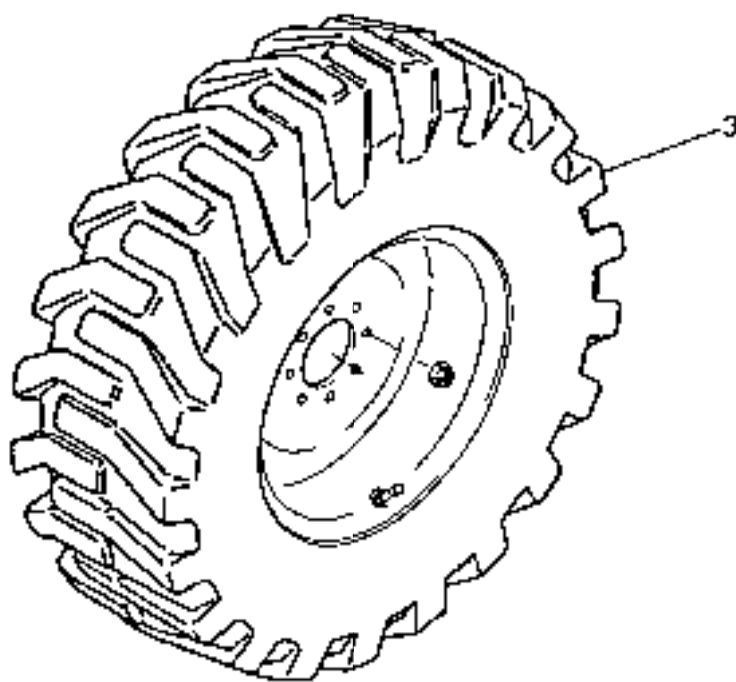
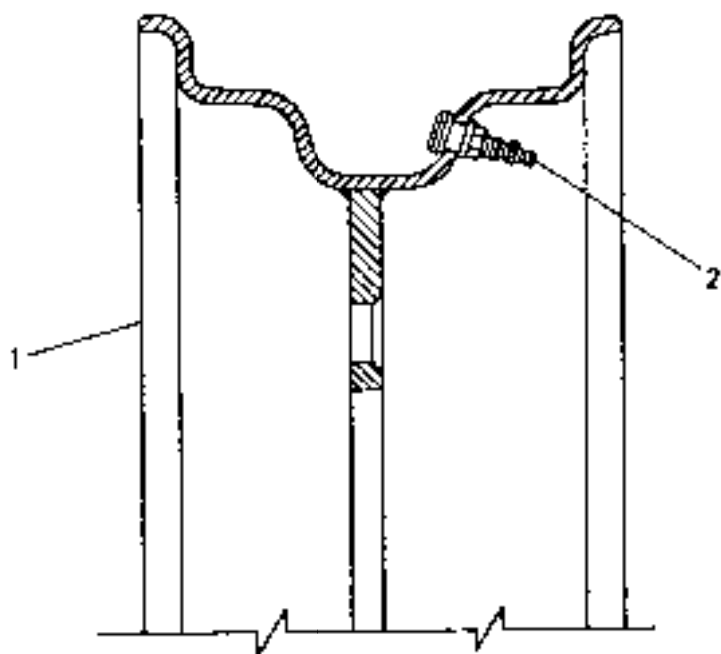
CONTINUED

VR-50
PARTS MANUAL

****Always Use Ingersoll-Rand Replacement Parts!****

LIGHTS (Sheet 2 of 2)

ITEM	COMM. NO.	DESCRIPTION	QTY	DIMENSION / NOTES
		<small>Kit LIGHTS</small>	1	
37	58989500	Bulb Holder	1	
38	58989542	Back-up Light Reflector	1	
39	58989559	Fog Light Reflector	1	
40	58989567	Screw	3	M6 x 15mm lg.
41	N.S.S.	Plastic Plate	3	
42	58982679	Shakeproof Washer	3	M6
43	58981317	Plain Nut	3	M6
44	N.S.S.	Base	1	
45	58989518	Wiring Kit	1	Not Shown
46	58989179	Working Light	3	
47	58989575	Working Light Bulb	1	
48	58989153	Interior Light (Includes Item 50)	1	
49	58989583	Self Tapping Screw	2	
50	58989591	Interior Light Bulb	1	
51	58989161	Roof Beacon	1	Optional
52	58989609	Beacon Bracket	1	Optional
53	59046680	Loom, RH Taillight	1	
54	59046698	Loom, LH Taillight	1	



WHEEL AND TIRE ASSEMBLY

WHEEL AND TIRE ASSEMBLY

ITEM	COMM. NO.	DESCRIPTION	QTY	DIMENSION / NOTES
1	58953654	Tires and Rims - Set of 4	1	
1	59022798	-Tire/Wheel Only	4	9.00 GR x 24
2	58989633	-Valve	4	
3	59022780	-Tire	4	13.00 - 24 80PR SGG

* NOT AVAILABLE AT TIME OF PUBLICATIONS *

DECALS

DECALS

ITEM	COMM NO.	DESCRIPTION	QTY	DIMENSION / NOTES
		<small>BY DECALS</small>		
	58782392	Decal - Notice: Operator's manual located . . .	1	
	59680421	Decal - Break On	1	
	58827155	Decal - Boom Angle	1	
	58812173	Boom Pointer	1	
	58817990	Boom Pointer Bearing	1	
	59878710	Decal - Ingersoll-Rand, Boom	1	
	59306340	Decal - Notice: No Riders	2	
	59969980	Decal - Warning: Falling or lowering load or forks can cause severe injury or death . . .	1	
	59969972	Decal - Warning: Falling from raised forks can cause severe injury or death. Stay off forks	1	
	59491464	Decal - Warning: Rotating fan and belts will . . .	1	
	59455238	Decal - Notice: Use of unmetered ether starting aids may result in engine damage and void . . .	1	
	59326728	Decal - Caution: Hot and pressurized, . . .	1	
	59766501	Decal - Warning: Pinch point. Keep out.	1	
	58899014	Decal - 8" Black Stripe, 7 ft	1	
	58782327	Decal - Red and Black Bulk Stripe	1	
	59344192	Decal - Danger: Crush area. Can cause . . .	4	
	59472365	Decal - Danger: Hazardous voltage. Will . . .	1	
	59455865	Decal - Danger: Rollover of this machine can cause severe injury or death. Do not operate . . .	1	
	59455147	Decal - The USA Occupational Safety Health Act of 1970 and other national safety codes . . .	1	
	58778796	Decal - Warning: Improper operation of this . . .	1	
	58924226	Decal - Ingersoll-Rand	1	
	58877812	Decal - Ingersoll-Rand	1	
	58940883	Decal - Ingersoll-Rand	2	
	58878133	Decal - IR Monogram	1	
	59045203	Decal - VR50	1	
	58986985	Decal - 2WD/4WD	1	

VR-50
PARTS MANUAL

Always use Ingersoll-Rand Replacement parts!

VR-50
PARTS MANUAL

COMM NO.	PGE	COMM. NO.	PGE	COMM NO.	PGE	COMM. NO.	PGE
5898200	93	58958240	F	58958638	57	58959057	71
58877812	147		49	58958646	63	58959065	71
58778796	147	58958257	49	58958653	63	58959073	71
58782327	147	58958265	F	58958661	63	58959081	71
58782392	147		49	58958679	63	58959099	71
58812173	147	58958281	49	58958687	59	58959107	71
58817990	147	58958299	51	58958695	59	58959115	71
58827155	147		85	58958703	61	58959123	71
58846452	31	58958315	83	58958711	61	58959131	71
58846460	31	58958323	83	58958729	61	58959149	71
58877812	147	58958331	83	58958737	61	58959156	71
58878133	147			58958745	65	58959164	73
58899014	147	58958349	83	58958752	65	58959172	73
58924226	147	58958356	83	58958760	95		73
58940883	147	58958372	83	58958760	F	58959180	73
58953175	31	58958380	83	58958778	95	58959198	73
58953597	31	58958398	83	58958786	95	58959206	73
58953621	31	58958406	67	58958794	37	58959214	81
58953639	31	58958414	67	58958802	37	58959222	81
58953664	145	58958422	67	58958810	F	58959230	81
58958018	41	58958430	F		37	58959248	81
58958026	41		67	58958828	37	58959255	81
58958034	41	58958448	67	58958836	37	58959263	77
58958059	45	58958455	97	58958844	39	58959271	77
58958067	35	58958463	97	58958851	39	58959289	77
58958091	47	58958471	97	58958869	69	58959297	77
58958117	47		137	58958877	69	58959305	77
58958125	47	58958489	97	58958885	69		85
58958133	F	58958497	97	58958893	69	58959313	77
	51	58958505	97	58958901	69	58959321	77
58958141	51	58958513	97	58958919	69	58959339	77
58958166	51	58958521	97	58958935	69	58959347	77
58958182	51	58958539	97		69	58959354	77
58958190	51	58958547	55	58958950	69	58959362	79
58958208	51	58958554	55	58958968	71	58959370	79
58958216	51	58958562	55	58958976	71	58959388	79
	53	58958570	55	58958992	71	58959396	79
58958224	63	58958588	57	58959008	71	58959404	79
58958232	F	58958612	57	58959040	71	58959412	79
	49	58958620	57		101		69

VR-50
PARTS MANUAL.

COMM. NO.	PGE	COMM. NO.	PGE	COMM. NO.	PGE	COMM. NO.	PGE
58959420	87	58959776	21		29	58960568	133
58959438	G		47		85	58960576	117
	87	58959784	21	58960170	31		121
58959446	87	58959792	21	58960188	F	58960584	F
58959453	93	58959800	21		109		121
58959461	93	58959818	21	58960196	109	58960634	117
58959479	93	58959842	27	58960204	109		119
58959487	93	58959859	27	58960220	109	58960642	F
58959495	G	58959875	27	58960238	117		119
	91	58959883	27	58960246	117	58960691	29
58959503	91	58959891	27	58960253	117		123
58959511	87	58959909	27	58960261	117		127
	91		29	58960279	123	58960709	F
	93	58959917	27	58960287	123		127
58959529	91	58959925	27	58960311	125	58960758	123
58959537	101		29	58960329	131		129
58959552	101	58959933	27	58960337	131	58960766	F
58959560	101	58959941	27	58960345	131		129
58959578	99	58959958	29	58960352	111	58960816	31
58959586	99	58959966	29		113		33
58959594	105	58959974	29	58960360	113		131
58959602	99	58959982	29	58960378	113	58960824	F
	101	58959990	29	58960386	113		33
	105	58960006	29	58960394	113		131
58959610	107	58960014	29	58960402	111	58960832	33
58959628	101	58960022	29	58960410	111	58960840	33
	107	58960030	29	58960428	111	58960857	33
	109	58960048	29	58960436	115	58960873	135
58959644	3	58960056	29	58960444	115	58960881	135
58959651	3	58960063	29	58960451	115	58960899	135
58959669	3	58960071	29	58960469	115	58960907	135
58959685	3	58960089	29	58960477	115	58960915	137
58959693	3	58960097	29	58960485	115	58960931	139
58959701	7	58960105	29	58960493	115	58960949	139
58959719	7	58960113	29	58960501	115	58960956	139
58959727	7	58960121	29	58960519	115	58960964	139
58959735	7	58960139	29	58960527	115	58960972	139
58959743	7	58960147	29	58960535	115	58960980	139
58959750	7	58960154	29	58960543	115	58960998	139
58959768	3	58960162	9	58960550	115	58961004	139

**VR-50
PARTS MANUAL**

COMM NO.	PGE	COMM. NO.	PGE	COMM NO.	PGE	COMM. NO.	PGE
58961012	139	58980202	47	58980590	85	58980947	57
58961020	139	58980210	47	58980616	37	58980954	57
58961046	139		55		57	58980962	57
58961053	139	58980228	47	58980624	37	58980970	57
58961020	139	58980236	47		57	58980988	57
58961038	139	58980244	47		86	58980996	57
58961061	135	58980251	47		101	58981002	57
	141	58980269	47		117	58981010	57
58961079	135	58980277	47	58980632	37	58981024	101
	141	58980285	47		57	58981028	57
58961087	141	58980293	47	58980640	37		103
58961095	141	58980301	47		57	58981036	57
58961103	41	58980319	47		85	58981044	63
58961111	41	58980327	47	58980657	85	58981051	63
58961152	83	58980335	51	58980665	85	58981059	63
58961160	29	58980343	51	58980699	83	58981077	63
58980004	41	58980350	51	58980707	83	58981085	63
58980012	41	58980368	51	58980715	83	58981093	63
58980020	41	58980376	51	58980723	67	58981101	63
	47	58980384	51	58980731	67	58981119	63
58980038	41	58980392	51	58980749	67	58981127	63
	47	58980400	51	58980756	97	58981135	63
58980046	41	58980418	51	58980764	97	58981143	63
	47	58980426	53	58980772	97	58981150	63
58980053	41	58980434	53	58980780	97	58981168	63
58980061	41	58980442	53	58980798	97	58981176	63
58980079	41	58980459	53	58980806	97	58981184	63
58980087	41	58980467	53	58980814	55	58981192	63
58980095	41	58980475	53	58980822	55	58981200	63
58980103	41	58980483	53	58980830	55	58981218	63
58980111	41	58980491	49	58980848	55	58981226	63
	51	58980509	49	58980855	55	58981234	63
58980129	43	58980517	49	58980863	55	58981242	63
58980137	43	58980525	49	58980871	55	58981259	63
58980145	43	58980533	51	58980889	55	58981267	63
58980152	43	58980541	85	58980897	55	58981275	63
58980160	35	58980558	49	58980905	57	58981283	63
58980178	35	58980566	85	58980913	57	58981291	37
58980186	35	58980574	85	58980921	57	58981291	63
58980194	35	58980582	85	58980939	57	58981309	63

**VR-50
PARTS MANUAL**

COMM NO.	PGE	COMM. NO.	PGE	COMM NO.	PGE	COMM. NO.	PGE
58981317	143		21		51		67
58981325	19		55		89		85
	93	58981424	35		93		87
58981333	13		55		97		87
	123	58981432	3		101		99
58981341	9	58981440	97		115		101
58981366	93	58981457	97		117		109
58981374	7	58981473	51		123	58981846	7
58981374	21	58981507	101		131		9
58981382	7		131		135		19
	21	58981515	27	58981721	21		41
	23	58981531	55		27		49
	41	58981554	55		43		51
	67		141		45		93
	87	58981572	35		47		95
	101	58981598	31		97		101
58981390	9	58981614	3		101		115
	9	58981630	3	58981739	3		117
	49	58981663	3		5		123
	51	58981671	21		13		131
	93	58981689	87		21		135
	97	58981697	87		27	58981853	3
	99	58981705	3		55		7
	101		5	58981754	35		21
	117		13		55		27
	123		19	58981762	69		41
	135		21	58981788	43		43
58981408	3		25		51		45
	7		49	58981804	35		47
	21		51	58981820	7		51
	27		67		9		53
	47		87		21		55
	51		99	58981838	5		67
	53		109		7		97
	55	58981713	3		13		99
	67		7		19		101
	99		19		21		101
	141		29		41		123
58981416	5		41		49	58981861	3
	13		49		51		

VR-50
PARTS MANUAL

COMM. NO.	PGE	COMM. NO.	PGE	COMM. NO.	PGE	COMM. NO.	PGE
	9		21	58982273	41	58982646	49
	13		49	58982273	59	58982653	49
	21		51	58982281	41	58982653	97
	27		97	58982299	41	58982661	49
	31		101	58982307	41	58982679	49
	55		117	58982323	F		143
58981887	3		131		41	58982687	49
	31		135	58982331	41	58982703	83
	35	58982034	7	58982349	41	58982711	97
58981895	3		29	58982364	21	58982729	97
	69		93		43	58982737	97
58981911	35		115		45	58982745	55
58981937	9		135		47	58982752	55
	21	58982067	99		101	58982760	55
58981952	7	58982075	7	58982380	35	58982778	57
	21		21	58982398	35	58982786	63
58981960	5		43	58982406	35	58982794	63
	19		47		47	58982802	63
	49		53	58982414	35	58982810	63
	67		55	58982430	35	58982828	63
58981978	3		57	58982446	35	58982836	59
	41		63	58982455	35	58982844	59
	49		123	58982463	35	58982851	59
	85	58982083	7	58982471	35	58982869	59
	87	58982091	27	58982505	21	58982877	59
	99		51		47	58982885	59
58981986	21		55	58982513	47	58982893	59
	57		67	58982539	51	58982901	59
	67	58982109	97		87	58982919	59
	89	58982117	3	58982547	51	58982927	59
	109		27	58982554	51	58982935	59
58981994	89	58982125	F	58982562	51	58982943	59
58982018	29		13	58982570	51	58982950	59
	41		21	58982588	51	58982968	59
	49	58982133	31	58982596	49	58982976	59
	51		56	58982604	49	58982984	59
	57	58982166	35	58982612	49	58982992	59
	89	58982174	35		97	58983008	59
58982026	3	58982216	101	58982620	49	58983016	59
	9	58982257	87	58982638	49	58983024	59

**VR-50
PARTS MANUAL**

COMM NO	PGE	COMM. NO.	PGE	COMM NO.	PGE	COMM. NO.	PGE
58983032	59	58983438	61	58983826	95	58984204	69
58983040	59	58983446	61	58983834	95	58984212	69
58983057	59	58983453	61	58983842	95	58984220	69
58983065	59	58983461	61	58983859	95	58984238	69
58983073	59	58983479	61	58983867	95	58984246	69
58983081	59	58983487	27	58983875	95		69
58983099	59		61	58983883	95	58984253	69
58983107	59		65	58983891	95		69
58983115	59		65	58983909	37	58984261	69
58983123	59	58983503	65		39	58984287	69
58983131	59	58983511	65	58983917	37	58984295	69
58983149	59	58983529	65	58983925	37	58984303	69
58983156	59	58983537	65	58983933	37	58984311	69
58983164	59	58983545	65	58983941	37	58984329	69
58983172	59	58983552	65		85	58984337	69
58983180	61	58983560	65	58983958	37	58984345	69
58983198	61	58983578	65	58983966	37	58984352	69
58983206	61	58983586	65	58983974	37	58984360	69
58983214	61	58983594	65	58983982	37	58984378	69
58983222	61	58983602	65	58983990	37	58984386	69
58983230	61	58983610	65	58984006	71	58984394	69
58983248	61	58983628	65	58984014	37	58984402	69
58983255	61	58983636	65	58984022	37	58984410	71
58983263	61	58983644	65	58984030	37	58984428	71
58983271	61	58983651	65	58984048	37	58984436	71
58983289	61	58983669	65	58984055	37	58984444	71
58983297	61	58983677	65	58984063	37	58984451	71
58983305	61	58983685	65	58984071	37	58984469	71
58983313	61	58983693	65	58984089	37	58984477	71
58983321	61	58983701	65	58984097	37	58984485	71
58983339	61	58983719	95	58984105	37	58984493	71
58983347	61	58983735	95	58984113	37	58984501	71
58983354	61	58983743	95	58984121	37	58984519	71
58983362	61	58983750	95	58984139	37	58984527	71
58983370	61	58983768	95	58984147	37	58984535	71
58983388	61	58983776	95	58984154	37	58984543	73
58983396	61	58983784	95	58984162	37	58984550	73
58983404	61	58983792	95	58984170	37	58984568	73
58983412	61	58983800	95	58984188	39	58984576	73
58983420	61	58983818	95	58984196	39	58984600	75

VR-50
PARTS MANUAL.

COMM. NO.	PGE	COMM. NO.	PGE	COMM. NO.	PGE	COMM. NO.	PGE
58984618	75	58985011	79	58985383	7	58985896	105
58984626	75	58985029	79	58985391	7	58985904	105
58984634	75	58985037	79	58985409	7	58985912	105
58984642	75	58985045	79		9	58985920	105
58984659	75	58985052	79	58985417	21	58985938	105
58984667	75	58985060	87	58985425	21	58985946	107
58984675	75	58985078	87	58985433	5	58985953	107
58984683	75	58985086	87	58985441	9	58985961	3
58984691	75	58985094	87		13	58985979	3
58984709	75	58985102	87	58985458	9	58985987	3
58984717	75	58985110	87	58985466	9	58985995	3
58984725	75	58985128	87	58985474	9	58986001	3
58984733	81	58985136	87	58985482	9	58986019	3
58984741	77	58985144	87	58985490	9	58986027	3
58984758	77	58985151	87	58985524	101	58986035	3
58984766	77	58985169	87		101	58986043	3
58984774	77	58985177	87	58985532	101	58986050	3
58984782	77	58985185	87	58985540	101	58986068	3
58984790	77	58985193	87		131	58986076	7
58984808	77	58985201	87	58985557	101	58986084	7
58984816	77	58985219	87	58985565	131	58986092	7
58984824	77	58985227	87	58985573	101	58986100	7
58984832	77	58985235	87	58985599	123	58986118	7
58984840	77	58985243	87	58985607	101	58986126	7
58984857	77	58985250	87	58985615	101		21B
58984865	77	58985268	87	58985623	101	58986134	7
58984873	77	58985276	87	58985631	21	58986142	7
58984881	77	58985284	89		101	58986159	21
58984899	77	58985292	89		109	58986167	21
58984907	77	58985300	5	58985656	101	58986175	21
58984915	77		03	58985699	101	58986183	21
58984923	79	58985318	93	58985805	99		109
58984931	79	58985326	93	58985813	99	58986191	21
58984949	79	58985334	93	58985821	99	58986209	21
58984956	79	58985342	91	58985839	99	58986217	21
58984964	79	58985359	101	58985847	99	58986225	21
58984972	79	58985367	7	58985854	99	58986233	21
58984980	79		99	58985862	99	58986241	21
58984998	79	58985375	7	58985870	99	58986258	21
58985003	79		13	58985888	105	58986266	21

VR-50
PARTS MANUAL

COMM. NO.	PGE	COMM. NO.	PGE	COMM. NO.	PGE	COMM. NO.	PGE
58986274	9	58986746	13	58987181	29	58987827	131
	21	58986779	13	58987207	31	58987836	111
58986282	5	58986787	13	58987215	31	58987843	111
58986290	5	58986795	15	58987223	31	58987850	111
58986308	5	58986803	15	58987231	31	58987868	111
58986316	5	58986811	15	58987256	109	58987876	111
58986324	5	58986829	15	58987272	109	58987884	111
58986357	9	58986837	15	58987306	109	58987892	111
58986365	9	58986845	15	58987322	109	58987900	111
58986373	9	58986852	15	58987330	109	58987918	111
58986381	9	58986860	15	58987348	109	58987926	115
58986399	9	58986878	17	58987355	109	58987942	115
58986407	9	58986886	17	58987363	109	58987975	115
58986415	9	58986894	17		117	58987983	115
58986423	9	58986902	17		125	58987991	115
58986431	9	58986910	17		131	58988007	115
58986449	9	58986928	17	58987405	117	58988015	115
58986464	9	58986936	17		125	58988023	115
58986472	9	58986944	17	58987447	117	58988031	133
58986480	9	58986951	17	58987454	117	58988049	133
58986498	9	58986969	17	58987462	117	58988056	133
58986506	9	58986977	17	58987470	117	58988064	133
58986514	9	58986985	17	58987488	117	58988072	133
58986522	9		147	58987496	117	58988080	133
58986530	9	58986993	17		125	58988098	133
58986548	9	58987009	27	58987504	117	58988106	133
58986555	9	58987017	27		123	58988114	133
58986563	9	58987025	27	58987546	123	58988122	133
58986571	11		27		131	58988130	133
58986589	11	58987058	29	58987553	131	58988148	133
58986597	11	58987066	117	58987587	123	58988156	133
58986605	11	58987074	123		123	58988163	133
58986613	11	58987082	123	58987595	123	58988171	133
58986647	13	58987108	29	58987678	125	58988189	133
58986654	13	58987116	29	58987686	131	58988197	133
58986662	13	58987124	29	58987694	131	58988205	133
58986670	13	58987140	29	58987744	131	58988213	133
58986688	13	58987157	29	58987793	131	58988221	133
58986720	13	58987165	29	58987801	131	58988239	133
58986738	13	58987173	29	58987819	131	58988247	133

**VR-50
PARTS MANUAL**

COMM NO.	PGE	COMM. NO.	PGE	COMM NO.	PGE	COMM. NO.	PGE
58988254	133	58988759	25	58969120	135	58989575	143
58988262	133	58988767	25	58989138	137	58989583	143
58988270	133	58988775	25		139	58989591	143
58988288	133	58988783	25	58989146	137	58989609	143
58988296	133	58988791	23		139	58989617	145
58988304	133	58988809	23	58989153	143	58989625	145
58988312	133	58988817	23	58989161	143	58989633	145
58988320	133	58988825	23	58989179	143	59004200	31
58988338	133	58988833	23	58989229	141	59004432	31
58988346	133	58988841	23	58989237	141	59004465	F
58988353	133	58988858	23	58989245	141		51
58988361	133	58988866	23	58989252	141	59004473	F
58988446	119	58988874	23	58989260	141		51
58988502	129	58988882	23	58989278	141	59004481	51
58988510	33	58988890	23	58989286	141	59013508	117
58988528	25	58988908	23	58989294	141	59013532	21
58988536	25	58988916	23	58989302	141	59021592	139
58988544	25	58988916	23	58989310	141	59021600	139
58988551	25	58988924	23	58989328	141	59021758	125
58988569	25	58988932	25	58989336	141	59021766	125
58988577	25	58988940	25	58989344	141	59021964	31
58988585	25	58988957	135	58989351	141	59021972	31
	25	58988965	135	58989369	141	59021998	9
	25	58988973	135	58989377	141	59022012	123
58988593	23	58988981	135	58989385	141	59022020	139
58988601	25	58988999	135	58989393	141	59022269	109
58988619	25	58989005	135	58989401	141	59022277	109
58988627	25	58989013	135	58989419	141	59022590	123
58988635	25	58989021	135	58989427	141	59022673	123
58988643	25	58989039	135	58989435	141	59022681	131
58988650	25	58989047	135	58989468	141	59022699	131
58988668	25	58989054	135	58989476	141	59022780	145
58988676	25	58989062	135	58989484	141	59022798	145
58988684	25	58989070	135	58989492	141	59023036	117
58988692	25	58989088	135	58989500	143	59023044	123
58988700	25	58989096	135	58989518	143	59023051	123
58988718	25	58989104	135	58989534	141	59023333	31
58988726	25		141	58989542	143	59025315	21B
58988734	25	58989112	135	58989559	143	59045203	147
58988742	25		141	58989567	143	59045211	137

**VR-50
PARTS MANUAL**

COMM NO.	PGE	COMM NO.	PGE	COMM NO.	PGE	COMM. NO.	PGE
59045534	123	59070672	101	59071050	131	59344192	147
59045542	123	59070680	103	59071068	131	59438820	F
59045559	123	59070698	103	59071100	135		35
59045567	123	59070706	103	59071118	135	59455238	147
59045575	123	59070714	103	59071126	135	59455063	145
59045948	19	59070722	103	59071159	139	59455147	147
59045963	19	59070730	103	59071167	139	59455303	139
59045971	19	59070748	103	59071175	139	59455469	139
59045997	13	59070755	103	59071183	139	59455493	139
59046580	141	59070763	103	59071191	139	59455865	147
59046698	137	59070771	103	59071209	139	59458745	31
	141	59070789	103	59071217	139	59472365	147
59046706	137	59070797	103	59071225	139	59491464	147
59046748	137	59070805	109	59071233	139	59538478	57
59070409	5	59070813	109	59071241	139		135
59070417	3	59070821	109	59071258	139	59680421	147
59070425	9	59070839	109	59071266	139	59731281	139B
59070433	9	59070847	F	59071274	139	59766501	147
59070458	27		109	59071282	139	59816322	85
59070466	27	59070854	109	59071290	139		135
59070474	43	59070862	109	59071308	139	59816736	139B
59070482	45	59070870	109	59071316	139	59878710	147
59070490	53	59070888	109	59071324	141	59891390	7
59070508	53	59070896	109	59071332	141	59969972	147
59070516	53	59070904	115	59071340	141	59989980	147
59070524	69		135	59071357	19	59989557	131
59070532	69	59070912	115	59071365	19	59989558	139
59070540	85	59070920	115	59071373	19		
59070557	85	59070938	115	59071381	19		
59070565	85	59070946	115	59071399	19		
59070573	85	59070953	117	59071407	139B		
59070581	85		123	59071415	139B		
59070599	87	59070961	117	59071423	139B		
59070607	87	59070979	117	59071431	139B		
59070615	89	59070987	117	59071472	103		
59070623	89	59070995	123	59071480	137		
59070631	101	59071019	123	59071498	137		
59070649	101	59071027	123	59076722	137		
59070656	101	59071035	123	59306340	149		
59070664	101	59071043	131	59326728	147		

WORD INDEX

4-WD Gear Box	63	Cylinder, Lift	117
4-WD Gear Box Solenoid Valve	63	Cylinder, Master	87,93
Air Cleaner	41	Cylinder, Steering	101
Air Cleaner Main Filter Element	41	Cylinder, Steering	71
Air Cleaner Safety Filter Element	41	Cylinder, Tilt	123
Air Restrictor Indicator	41	Decal Installation	147
Arm, Steering	71	Differential Assembly	75
Arm, Wiper	23	Dipstick, Engine Oil	41
Axle Drive Shaft	81	Dipstick, Transmission	55
Axle, Front	Ⓔ	Disc, Brake	77
Axle, Rear	Ⓔ	Drive Shaft	83
Ball Joint	71	Element, Air Cleaner Main Filter	41
Bancon, Roof	143	Element, Air Cleaner Safety Filter	41
Bevel Gear/Pinion Set	73	Element, Engine Oil Filter	35
Blade, Wiper	23	Element, Fuel Filter	47
Bottle, Coolant Expansion	51	Element, Hydraulic Filter	109
Bottle, Coolant Filler	51	Engine	35
Bottle, Washer	23	Engine Oil Dipstick	35
Bottom Radiator Hose	51	Engine Oil Filler Cap	35
Bowl, Fuel Water Trap Glass	47	Engine Oil Filter Element	35
Box, 4-WD Gear	63	Extension Cylinder	117
Brake Disc	77	Extension Cylinder	29
Brake Reservoir	87	Exterior Mirror	13
Brake Warning Switch	97	Fan Belt	35
Brake, Parking	95	Fan Cowling	53
Bulb, Headlight	141	Filter Element, Air Cleaner Main	41
Bulb, Indicator Light	141	Filter Element, Air Cleaner Safety	41
Bulb, Indicator/Fog/Indicator	141	Filter, Hydraulic	109
Bulb, Interior Light	143	Filter, Hydraulic	21
Bulb, Side Light	141	Filter, Hydraulic Suction	109
Bulb, Stop/Tail Light	141	Forks	31
Bulb, Working Light	143	Front Axle	Ⓔ
Cab	9	Fuel and Hydraulic Tank	21
Cab Console	5	Fuel and Hydraulic Tank Cover Gas Strut	21
Cable, Throttle	49	Fuel Filter Element	47
Cap, Coolant Filler Bottle	51	Fuel Gauge	139
Cap, Engine Oil Filler	35	Fuel Lift Pump	47
Cap, Fuel Tank Filler	21	Fuel Shut-off Valve	47
Cap, Hydraulic Filter	109	Fuel Tank Filler Cap	21
Carrier	31	Fuel Water Trap	47
Changeover Valve	101	Fuel Water Trap Glass Bowl	47
Chassis	3	Gauge, Fuel	139
Compensating Cylinder	123	Gauge, Hydraulic Oil Level	21
Console, Cab	5	Gear Lever	65
Control Lever	133	Gear Shift Lever	67
Converter	39	Gear Shift Lever Knob	67
Converter Housing	37	Gear Shift Lever Switch	67
Coolant Expansion Bottle	51	Grip, Parking Brake Hand	97
Coolant Filler Bottle	51	Headlight	141
Coolant Filler Bottle Cap	51	Headlight Bulb	141
Cooler, Transmission Oil	85	Heater	25
Cowling, Fan	53	Heater Valve	25
Cylinder, Compensating	123	Hod Gas Strut	7
Cylinder, Extension	117	Hood	7
Cylinder, Extension	29	Hose, Bottom Radiator	51

WORD INDEX

Nose, Top Radiator	51	Seal Kit	See Component
Hub, Reduction	79	Seat	19
Hub, Wheel	77	Ser. Bevel Gear/Pinion	73
Hydraulic Control Valve	109,117,125	Shaft, Axle Drive	81
Hydraulic Filter	109	Shaft, Drive	83
Hydraulic Filter	21	Side Light	141
Hydraulic Filter Cap	109	Side Light Bulb	141
Hydraulic Filter Element	109	Steering Arm	71
Hydraulic Hosing	See Contents	Steering Cylinder	101
Hydraulic Oil Level Gauge	21	Steering Cylinder	71
Hydraulic Pump	111	Steering Hand Pump	99
Hydraulic Suction Filter	109	Stop/Tail Light Bulb	141
Indicator Light	141	Strut, Fuel and Hydraulic Tank Cover Gas	21
Indicator Light Bulb	141	Strut, Rod Gas	7
Indicator, Air Restrictor	41	Switch, Brake Warning	97
Indicator/Fog/Indicator Bulb	141	Switch, Gear Shift Lever	67
Interior Light	143	Switch, Transmission Temperature Sender	85
Interior Light Bulb	143	Tank, Fuel and Hydraulic	21
Interior Mirror	9	Telescopic Arm - Inner	29
Joint, Ball	71	Telescopic Arm - Outer	27
Knob, Gear Shift Lever	67	Throttle Cable	49
Lamp, Rear	141	Tilt Cylinder	123
Lever, Control	133	Tire	145
Lever, Gear	65	Tire Valve	145
Lever, Gear Shift	67	Top Radiator Hose	51
Lift Cylinder	117	Transmission	55
Light, Indicator	141	Transmission Dipstick	55
Light, Interior	143	Transmission Magnetic Drain Plug	57
Light, Side	141	Transmission Oil Cooler	85
Light, Working	143	Transmission Solenoid Valve	57
Load Holding Valve	117	Transmission Temperature Sender Switch	85
Main Filter Element, Air Cleaner	41	Trap, Fuel Water	47
Master Cylinder	87,93	Valve, 4-WD Gear Box Solenoid	63
Mirror, Exterior	13	Valve, Changeover	101
Mirror, Interior	9	Valve, Fuel Shut-off	47
Motor, Wiper	23	Valve, Heater	25
Muffler	43,45	Valve, Hydraulic Control	109,117,125
Oil Cooler	51	Valve, Load Holding	117
Parking Brake	95	Valve, Priority	101
Parking Brake Hand Grip	97	Valve, Tire	145
Plug, Transmission Magnetic Drain	57	Valve, Transmission Solenoid	57
Plunger Ram	31,131	Voltmeter	139
Priority Valve	101	Warning Lights	139
Pump, Fuel Lift	47	Washer Bottle	23
Pump, Hydraulic	111	Washer Pump	23
Pump, Steering Hand	99	Water Pump	51
Pump, Washer	23	Wheel	145
Pump, Water	51	Wheel Hub	77
Radiator	51,53	Wiper Arm	23
Rear Axle	69	Wiper Blade	23
Rear Lamp	141	Wiper Motor	23
Reduction Hub	79	Working Light	143
Reservoir, Brake	87	Working Light Bulb	143
Roof Beacon	143		
Safety Filter Element, Air Cleaner	41		

PARTS WARRANTY

Ingersoll-Rand Company ("Company") through its distributor warrants that parts manufactured by it will be as specified and will be free from defects in material and workmanship. The Company's liability under this warranty shall be limited to the repair or replacement of any part which was defective at the time of shipment provided Purchaser notifies the Company of any such defect promptly upon discovery, but in no event later than three (3) months from the date of shipment of such part by the Company.

Repairs and replacements shall be made by the Company F.O.B. point of shipment. The Company shall not be responsible for costs of transportation, removal, or installation.

Warranties applicable to material and equipment supplied by the Company but wholly manufactured by others, shall be limited to the warranties extended to the Company by the manufacturer which are able to be conveyed to the Purchaser.

This warranty does not apply to failures occurring as a result of abuse, misuse, negligent repairs, corrosion, erosion, and normal wear and tear, alterations, or modifications made to the part without express written consent of Ingersoll-Rand.

THIS WARRANTY IS IN LIEU OF ALL OTHER WARRANTIES (EXCEPT OF TITLE), EXPRESSED OR IMPLIED, AND THERE ARE NO WARRANTIES OF MERCHANTABILITY OR OF FITNESS FOR A PARTICULAR PURPOSE

LIMITATION OF LIABILITY

The remedies of the user set forth under the provisions of warranty outlined above are exclusive and the total liability of Ingersoll-Rand; or its distributor with respect to this sale; or the equipment and service furnished hereunder, in connection with the performance or breach thereof, or from the sale, delivery, installation, repair or technical direction covered by or furnished under this sale, whether based on contract warranty, negligence, indemnity, strict liability or otherwise shall not exceed the purchase price of the unit of equipment upon which such liability is based.

Ingersoll-Rand and its distributor shall in no event be liable to the user, any successors in interest, or any beneficiary or assignee relating to this sale for any consequential, incidental, indirect, special, or punitive damages arising out of this sale; or any breach upon lost goodwill, lost profits or revenue, interest, work stoppage, impairment of other goods, loss by reason of shutdown or non-operation, increased expenses of operation of the equipment, loss of use of power system, cost of purchase of replacement power; or claims of user or customer of the user for service interruption whether or not such loss or damage is based on contract, warranty, negligence, indemnity, strict liability or otherwise.



Road Development

Ingersoll-Rand Company
312 Ingersoll Drive
Shippensburg, PA 17257

©2000 Ingersoll-Rand Company
Printed in U.S.A.