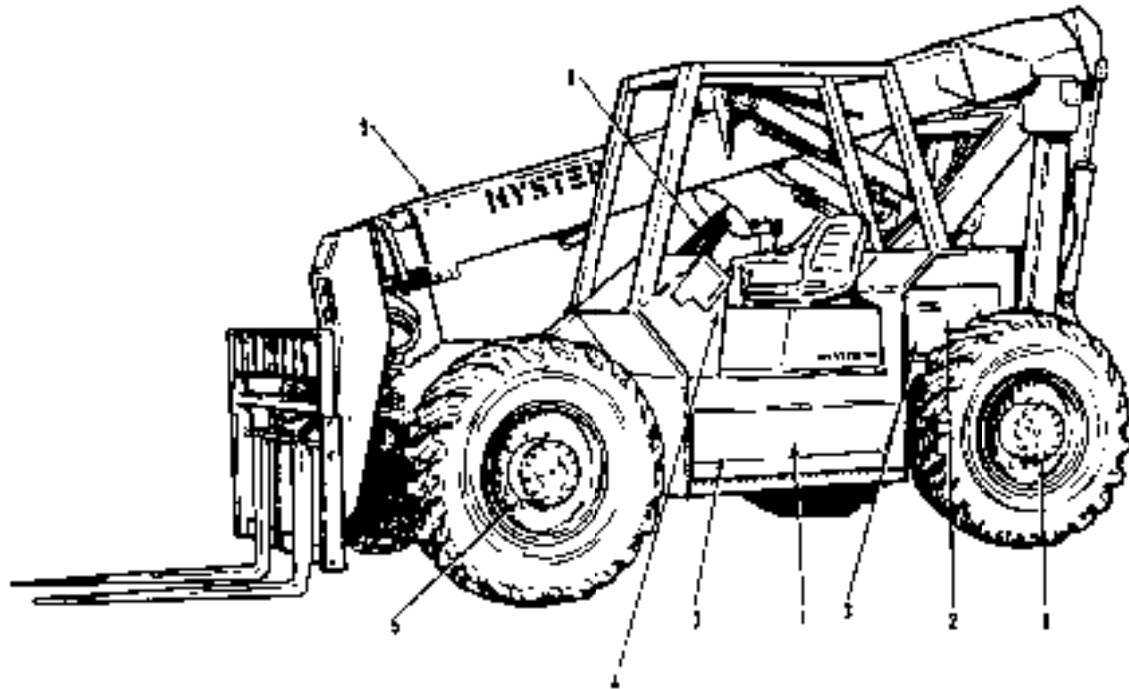


**PARTS MANUAL
for
Z90A**

INDEX-ILLUSTRATED



REF	ITEM	PAGE
1	FRAME.....	1404
2	ENGINE.....	1802
3	FUEL.....	1002
4	ELECTRICAL.....	1602
5	BRAKES/LINKAGE.....	3F02
6	TRANSMISSION.....	2404
7	HYDRAULIC.....	2002
8	STEERING/LINKAGE.....	2002
9	BOOM.....	2E02
10	INDEX-NUMERICAL.....	F02

USE HYSTER APPROVED PARTS... *it pays*

IDENTIFICATION-UNIT

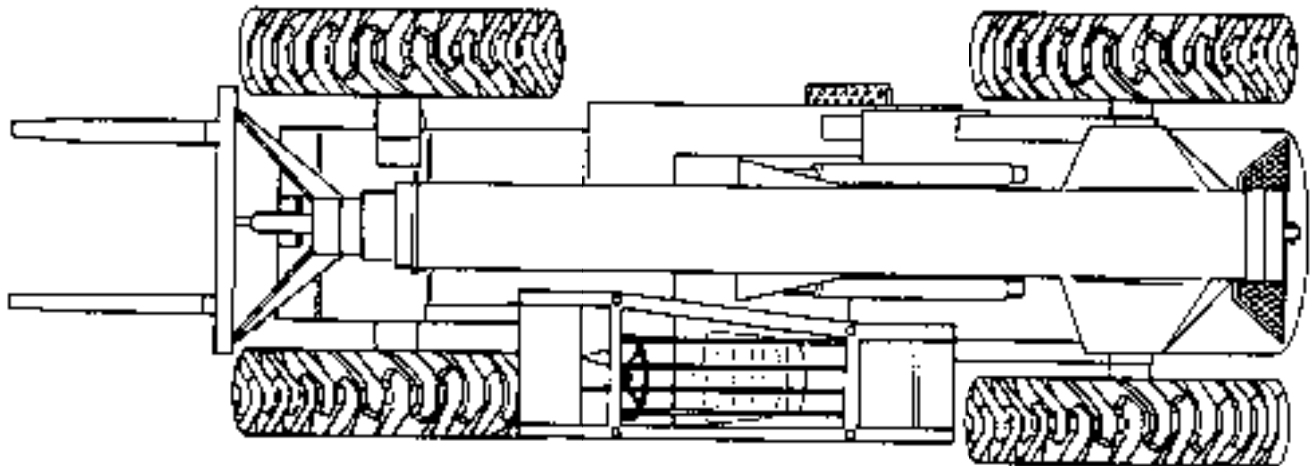
UNIT SERIAL NO.

X	O	X	0000	X
(1)	(2)	(3)	(4)	(5)

- (1) & (2) The first letter and number denote the design series and model of the unit.
 (3) The second letter denotes the plant at which the unit was manufactured.
 (4) The number series denotes the serial number of the unit.
 (5) The final letter denotes the year of manufacture starting with "A" in 1980. The letters "I", "O", and "Q" will not be used.

**Parts Referred To In This Book As Right Or Left Hand Parts
 Are In Accordance With The Sketch Below**

R. H. Side



L. H. Side

CAUTION!

**Never Attempt To Clean, Oil Or Adjust A Machine
 While It Is In Motion**

HOW TO USE THE ILLUSTRATED PARTS MANUAL

This parts manual describes and illustrates assemblies, subassemblies and detail parts needed for service replacement.

It also includes all parts peculiar to trucks built in overseas plants. These parts are indicated by keys, symbols and footnotes.

The diagram illustrates the layout of the Illustrated Parts Manual with the following sections and callouts:

- 1**: INDEX-ALPHABETICAL
- 2**: INDEX-NUMERICAL
- 3**: LEVER-CONTROL (with a diagram of a lever control mechanism)
- 4**: INDEX-ILLUSTRATED (with a diagram of a Hyster forklift truck)
- 5**: A vertical column of arrows on the right side of the manual, pointing to various parts.
- 6**: A diagram showing a tree structure of parts, with callouts 7 and 8 pointing to specific sub-assemblies.
- 7**: A diagram showing a tree structure of parts, with callout 6 pointing to a specific sub-assembly.
- 8**: A diagram showing a tree structure of parts, with callout 6 pointing to a specific sub-assembly.

At the bottom of the manual, the text reads: **USE HYSTER *SAVES* PARTS... it pays**

HYSTER COMPANY
 PARTS OPERATIONS
 Danville, Illinois 61832

When The Part Number And The Next Higher Assembly Is Not Known.

1. Use the illustrated index page immediately behind the front cover, and select the most appropriate area.
2. Line up the black arrow containing the appropriate reference number with the black tab on the division index page with the same reference number. Use the division index to determine the assembly which would normally contain the part required. Proceed then to locate the part on the assembly breakdown page.

When The Part Number Is Not Known And The Next Higher Assembly Is Known.

3. Determine the assembly the required part is used on. Turn to the alphabetical index immediately following the illustrated index.
4. Locate the assembly the required part is used on and turn to the page indicated for that assembly. Proceed then to locate the part on the assembly breakdown page.

When The Part Number Is Known:

5. Use the numerical index to find the part number. Turn to the page listed and locate the part as indicated by the reference number.

GENERAL: The assembly breakdowns include part numbers, description, quantities required, keys and notes to help in selecting the correct parts.

5. Keys are used to show effective serial number, lot, or other similar assemblies, RM and LM assemblies, etc. Select the appropriate key, "A", "B", "C", etc., and the corresponding quantity column to find the required part.
7. Indent numbers are used to indicate assemblies and sub-parts of assemblies. Number 0 is the major assembly. Part descriptions which are indented under 0, 1, or 1 are sub-parts of that major assembly shown above.
5. Quantities shown are for one assembly. Note that two assemblies are shown, but the quantities of the sub-parts are indicated as three and three. This means three per assembly.

ORDERING PARTS: When ordering replacement parts, give the unit serial number, part number, name of part and quantity required.

For any further information on parts, service, or ordering, consult your local Hyster dealer.

HYSTER COMPANY

PARTS OPERATIONS
 Danville, Illinois 61832

FIRE PRECAUTION

To avoid fires, operators should be instructed to refuel compactors in well lighted areas outside of buildings. Repairs and adjustments should be made on only those compactors which have been taken to a garage or maintenance shop.

STORAGE OF COMPACTOR

Lubricate the compactor according to lubrication recommendations if it is to be left standing for any length of time. This will protect against rusting.

The engine should be run once a week until it is thoroughly warm. This will circulate the oil and prevent rusting from condensation, in addition to keeping the battery charged.

If freezing weather is expected before the engine will be started again, see that the cooling system is adequately protected against freezing. Drain all water ballast from drums, or use calcium chloride solution.

If the engine is to be stored or left standing longer than a normal day, fill the fuel tank with clean fuel to keep out moisture laden air. This will prevent condensation and rust from forming inside the tank.

OPERATION AND MAINTENANCE TIPS

The following tips will help increase compactor life and contribute to the reduction of expensive downtime.

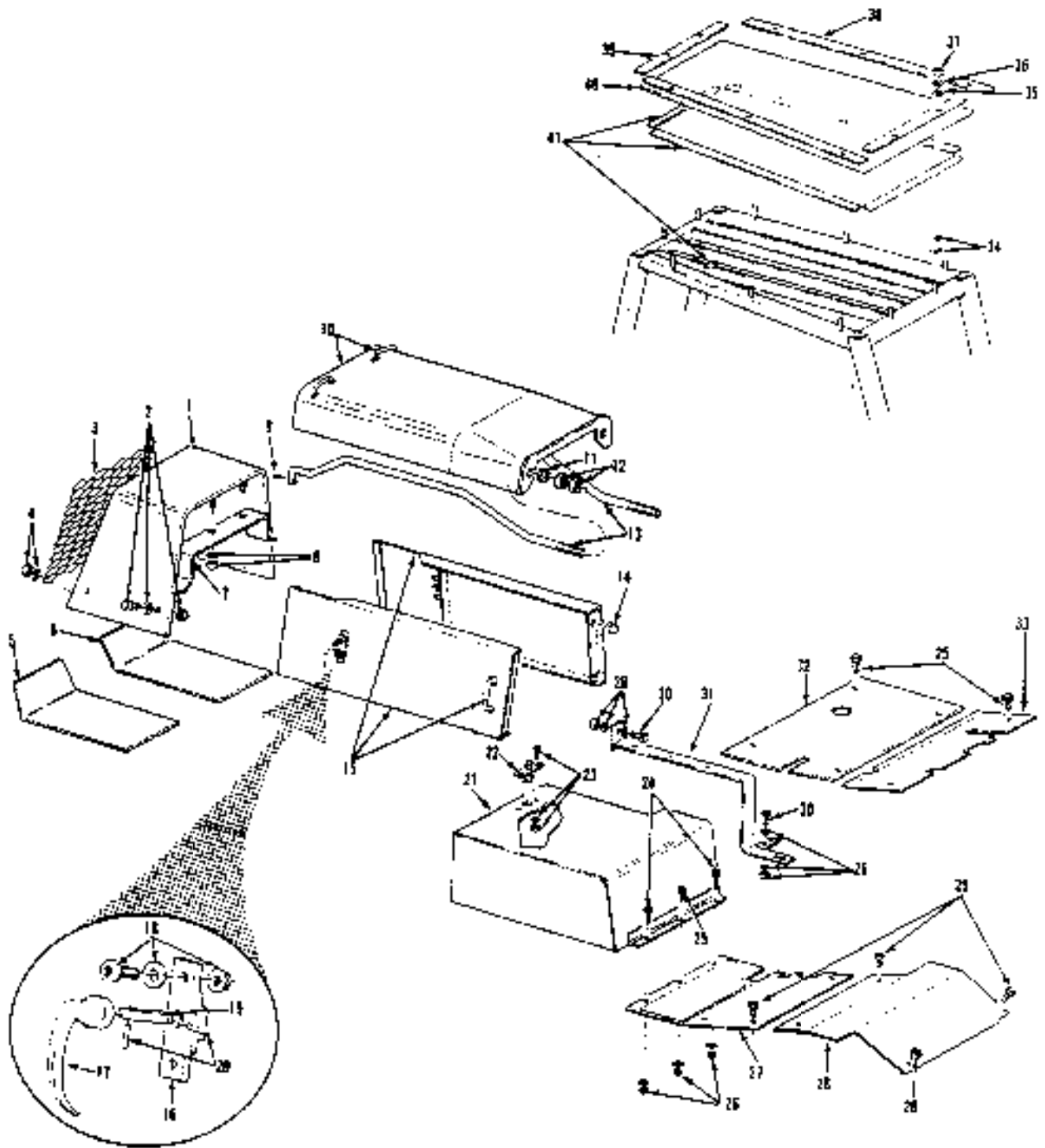
1. Check lubricating and hydraulic oils and engine coolant at the beginning of each work shift. Use only recommended oils.
2. Don't work compactor until engine and hydraulic oils are warm.
3. Don't let engine idle for extended periods.
4. Don't operate compactor with faulty engine governor or with excessive hydraulic pressure. Have qualified personnel make these checks.
5. Make sure the air cleaner and oil filters are serviced correctly. All connectors must be tight with no leaks in the system.
6. Do not add coolant to an overheated engine.
7. After working compactor let engine idle a few minutes before stopping.
8. Fill fuel tank at the end of the shift, when compactor is warm.
9. Repair minor defects immediately.
10. Adhere to lubrication and maintenance recommendations.



FRAME

DECALS/PATNT.....1407-1408
PLATES-FLOOR/HOOD.....1405-1406
SEAT.....1409

PLATES-FLOOR/HOOD



PLATES-FLOOR/HOOD

QTY	HYSTER PART NO	NAME OF PART 1 2 3 4	QTY	REF NO	HYSTER PART NO	NAME OF PART 1 2 3 4	QTY
1	121498	COVER-STAR	1	22	307014	SPRING	1
4	18622	CAPSCREW	4	23	18706	CAPSCREW	4
2	15152	LOCKWASHER	2R	23	15911	LOCKWASHER-STAR	2
4	19119	NUT-JAM	4	23	15002	NUT	4
1	271849	WASHER	1	24	197853	SCREW	1
4	147041	LOCKNUT	4	25	134803	SCREW	4
4	16637	WASHER-FLAT	4	26	15176	WASHER-FLAT	4
1	272786	PLATE-RH	1	26	145641	LOCKNUT	1
1	328787	PLATE-LH	1	27	311894	PLATE	1
1	272875	SUPPORT	1	28	311868	PLATE-FLOOR	1
1	192877	LOCKNUT	1	29	218299	SCREW	1
3	15178	WASHER-FLAT	3	30	16815	CAPSCREW	3
1	14223	PIN-CUTTER	1	31	311735	BRACKET	1
10	311612	ROD	1	31	327126	BRACKET	1
10	26494	HANDLE	2	32	311781	PLATE	1
11	279028	BUSHING	2	32	323273	PLATE	1
12	15062	NUT	2	33	311782	PLATE	1
13	311623	ROD	2	33	327125	PLATE	1
14	170144	BUSHING	4	34	15135	WASHER-FLAT	4
15	111507	PANEL-RH	1	35	15174	WASHER	10
15	111504	PANEL-LH	1	36	15156	LOCKWASHER	10
15	26494	HANDLE	1	37	15056	NUT	10
16	272825	LOCK	2	38	320847	STRIP-SIDE	2
17	186498	HANDLE	2	39	320846	STRIP-END	2
18	191534	LOCKNUT	4	40	320835	SHIELD	1
18	18728	CAPSCREW	4	41	321223	TAPE-FOAM	2R
18	15134	WASHER	4				
18	272828	WASHER	2				
27	232798	PIN-GROOVE	4				
21	317372	GYVER-BATTERY	1				

* FIRST USED ON S/N A179P-1519 GASOLINE
A179P-1535 DIESEL

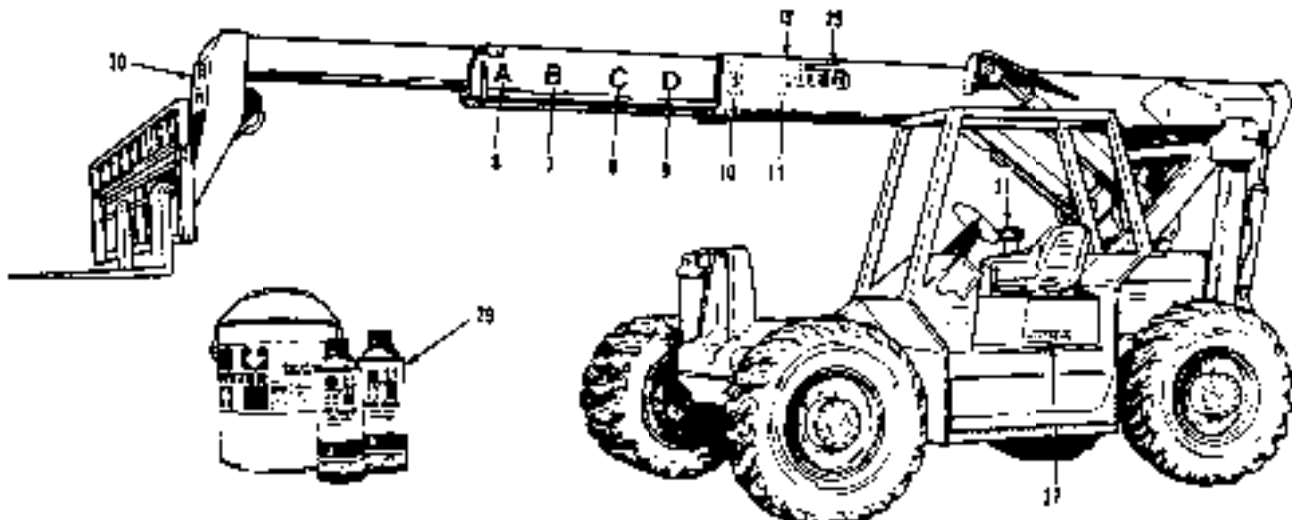
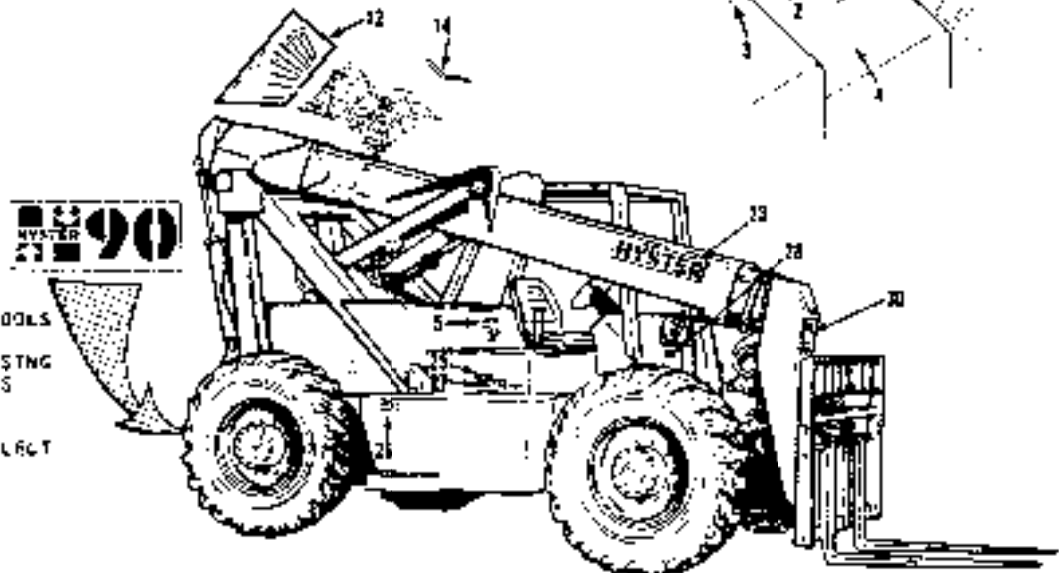
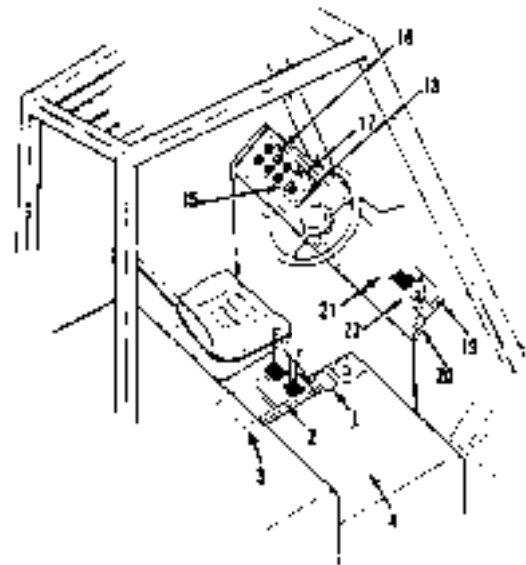
DECALS/PAINI

THE TRUCK IS TO BE PAINTED YELLOW
WITH THE EXCEPTION OF:

ALISS BLACK
JOHN TIP
TILT CYLINDER
CARRIAGE
STEERING PAD
HYDRAULIC LEVER
PARKING BRAKE
INSTRUMENT PANEL
COUNTERWEIGHT RECESS BEHIND GRILLE
COUNTERWEIGHT GRILLE AND MOUNTING PLATES

ALISS RED
FORKS
FUEL CAP
CROWD INDICATOR
ANGLE INDICATOR

NOT PAINTED
PEDAL PADS
LEVER KNOBS
INSTRUMENTS
LIGHTS
STEERING WHEEL
IGNITION SWITCH
SEAT
BOOM CHAINS
CYLINDER RODS
CONTROL VALVE SPOOLS
TRANSMISSION
DIFFERENTIAL HOUSING
PRE-CLEANER GLASS
LEVEL VIAL
RADIATOR CORE
STEERING MODE SELECT
HYDRAULIC HOSES

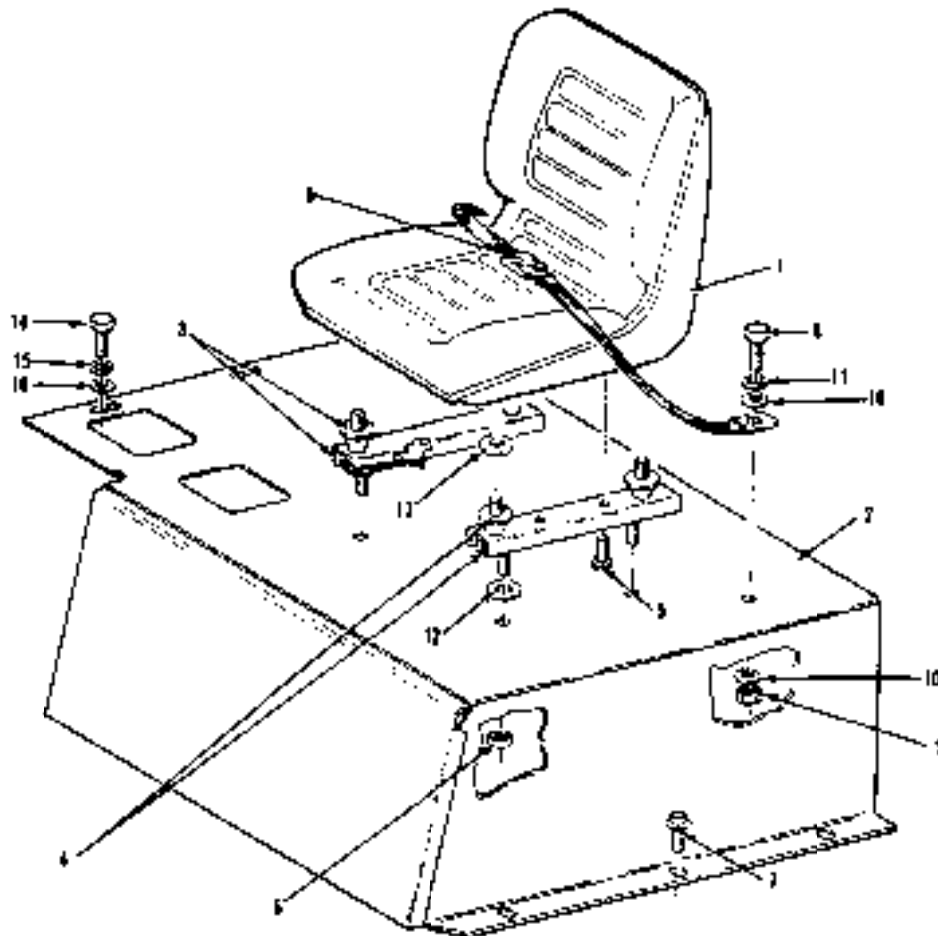


DECALS/PAINT

REF NO	HYSTER PART NO	NAME OF PART 1 2 3 4	QTY	REF NO	HYSTER PART NO	NAME OF PART 1 2 3 4	QTY
1	322251	DECAL-WARNING	1	20	322294	DECAL-BRAKE ON	1
2	321671	DECAL-CONTROLS	1	21	322297	DECAL-HR WD	1
3	321670	DECAL-CAP CRANT	1	22	322296	DECAL-HI/LOW	1
4	322279	DECAL-SERVICE	1	23	322803	DECAL	1
5	195636	DECAL-STEER	1	24	322299	DECAL-LOGG	1
6	322286	DECAL-A	1	25	103704	DECAL-DIESEL	1
7	322297	DECAL-B	1	26	264166	DECAL-WARNING	1
8	322288	DECAL-C	1	27	322284	DECAL-HYSTER 90	1
9	322289	DECAL-D	1	28	375131	DECAL-WARNING	1
10	322290	DECAL-E	1	29	+ 317226	PAINT-YEL 1 GAL	6R
11	322291	DECAL-F	1	29	+ 317225	PAINT-YEL SPRAY	6R
12	322281	DECAL-BDDM	1	29	67661	PAINT-BLK 1 GAL	17
13	322278	DECAL-CROWD	1	29	160611	PAINT-BLK SPRAY	14
14	321673	MOD-INDICATOR	1	29	+ 316644	PAINT-RED SPRAY	6R
15	321669	DECAL-SHIFT	1	30	327927	DECAL-WARNING	1
16	322298	LEVEL	1	31	194172	DECAL-CAUTION	1
17	264170	DECAL-WARNING	1				
18	321668	DECAL-FWD/REV	1				
19	322293	DECAL-BRAKE OFF	1				

+ UNLEADED

SEAT



REF NO	HYSTER PART NO	NAME OF PART				QTY	REF NO	HYSTER PART NO	NAME OF PART				QTY
		1	2	3	4				1	2	3	4	
1	275874	SEAT				1	8	16375	CAPSCREW				2
2	318426	PLATE-SEAT				1	9	15087	NUT				2
3	203131	ADJUSTER-SEAT				1	10	15129	WASHER-FLAT				4
3	204114	SPACER				2	11	15157	LOCKWASHER				2
4	216286	ADJUSTER-SEAT				1	12	15135	WASHER-FLAT				4
4	204114	SPACER				2	13	221733	WASHER-FLAT				4
5	262929	CAPSCREW				4	14	16805	CAPSCREW				3
6	169509	LOCKNUT				4	15	15156	LOCKWASHER				3
7	134803	SCREW				3	16	15176	WASHER-FLAT				3
8	192505	KIT-SEAT BELT				1							

ENGINE

DIESEL

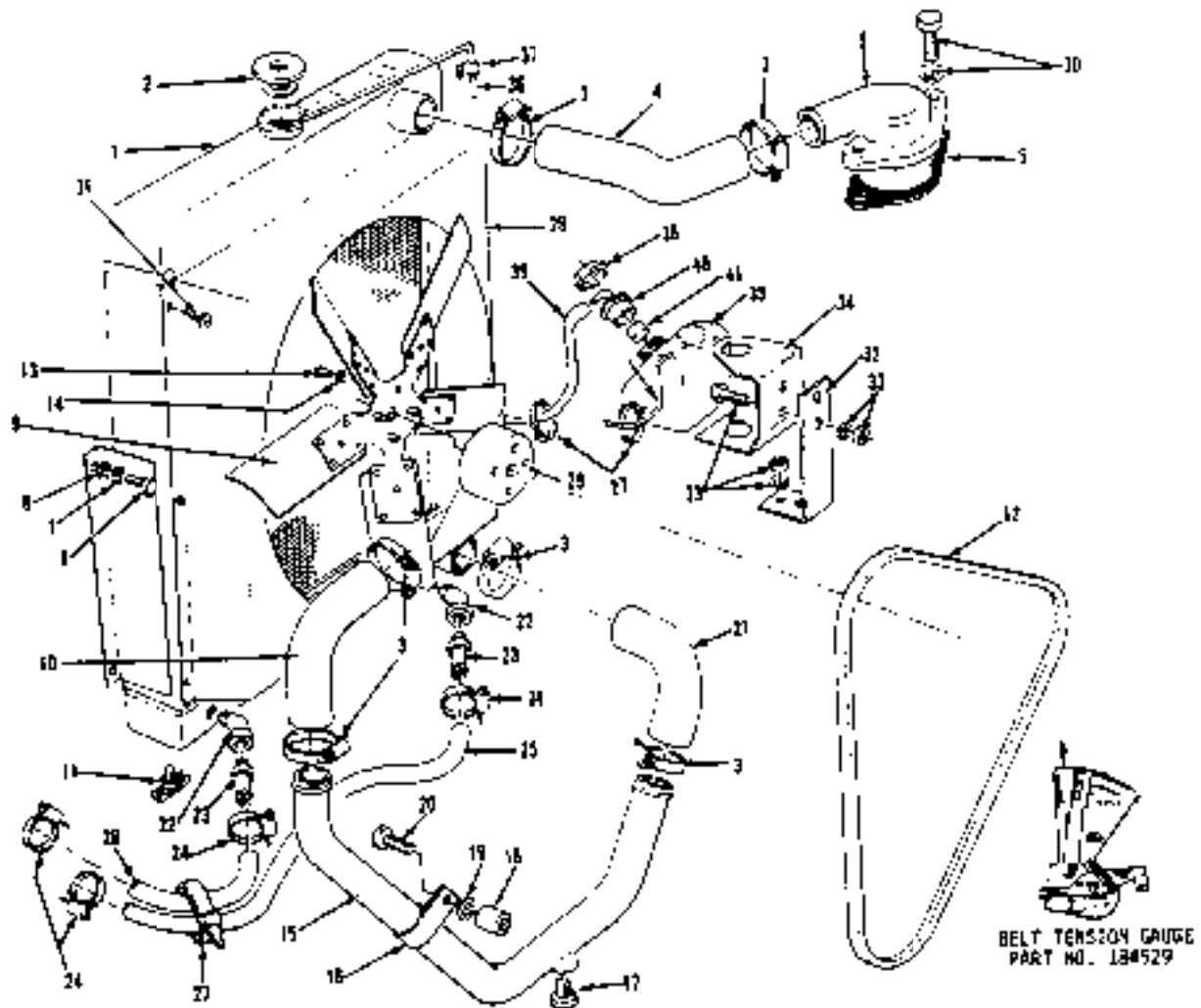
ADAPTER-ENGINE/PLYWHEEL.....	1806
BLOCK-CYLINDER.....	1813
COOLING.....	1803
COVER-CYLINDER HEAD/SHAFT-ROCKER.....	1812
EXHAUST.....	1805
GEARS-TIMING.....	1804
HEAD-CYLINDER/VALVES/MANIFOLD-EXHAUST.....	1802
MANIFOLD-INLET.....	1803
MOUNTS-ENGINE.....	1811
PAN-OIL.....	1801
PISTONS/CRANKSHAFT.....	1814
PUMP-WATER.....	1805

GASOLINE

ADAPTER-ENGINE.....	1806
BLOCK-CYLINDER.....	1807-1808
COOLING.....	1804
EXHAUST.....	1805
HEAD-CYLINDER.....	1809-1810
MOUNTS-ENGINE.....	1811
PUMP-OIL.....	1811

COOLING

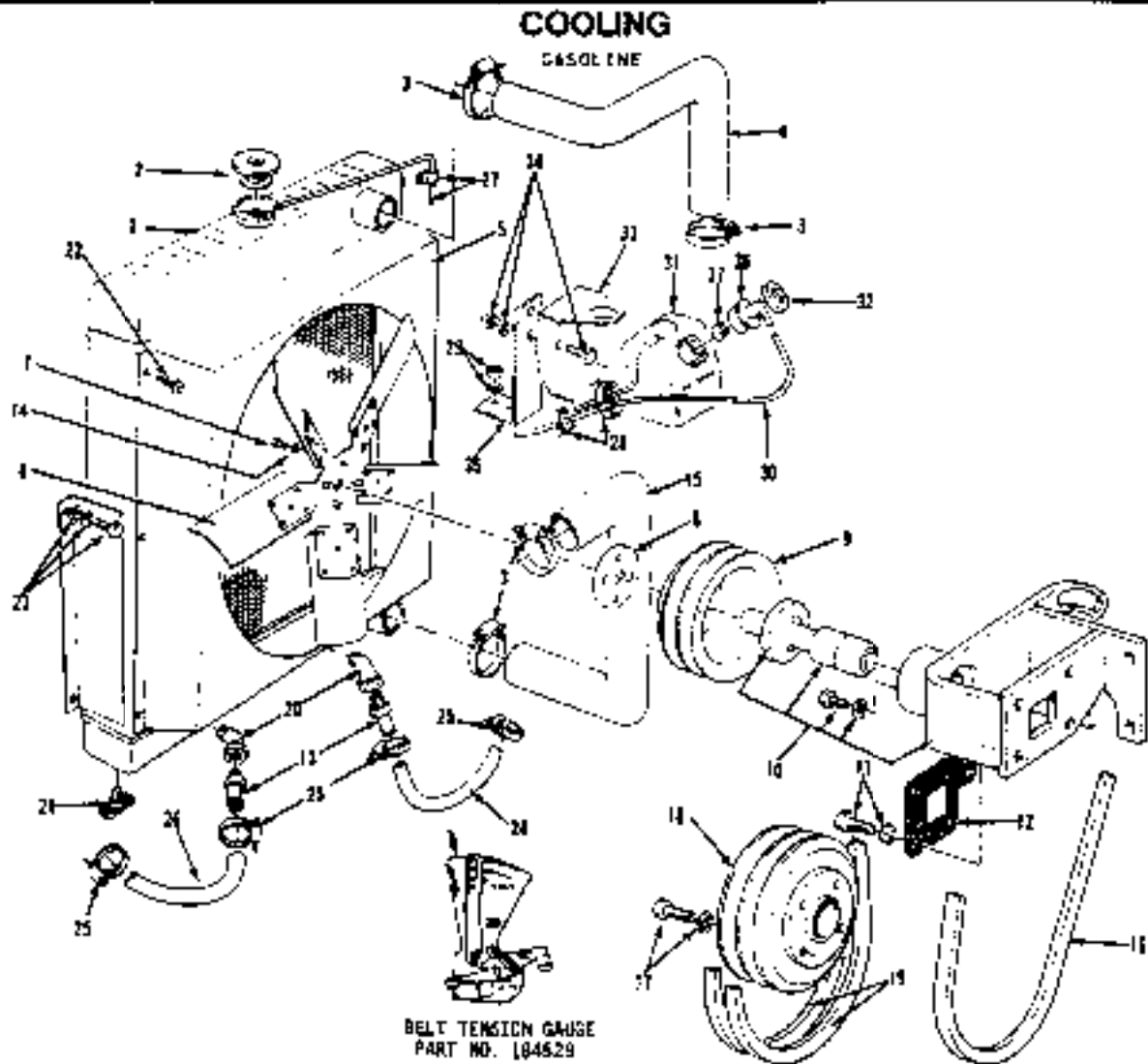
DIESEL



BELT TENSION GAUGE
PART NO. 184529

REF NO	HYSTER PART NO	NAME OF PART				QTY	REF NO	HYSTER PART NO	NAME OF PART				QTY
		1	2	3	4				1	2	3	4	
1	272965					1	24	130845					4
2	273050					1	25	272877					1
3	119234					6	26	393829					1
4	299765					1	27	129563					2
5	184647					1	28	294126					1
5	328059					1	29	141527					1
6	16597					4	30	16814					2
7	15156					4	30	15156					2
8	15134					4	31	134102					6
9	186155					1	32	275577					1
10	184914					1	33	15056					4
11	12815					1	33	15156					4
12	104728					1	33	16597					2
13	18499					4	34	187130					1
14	15155					4	35	252701					1
15	298138					1	36	89881					1
16	258590					1	37	13972					2
17	14385					1	38	343454					1
18	306949					1	39	339736					1
19	15175					1	40	345453					1
20	16512					1	41	336590					1
21	298139					1							
22	15345					2							
23	14524					2							

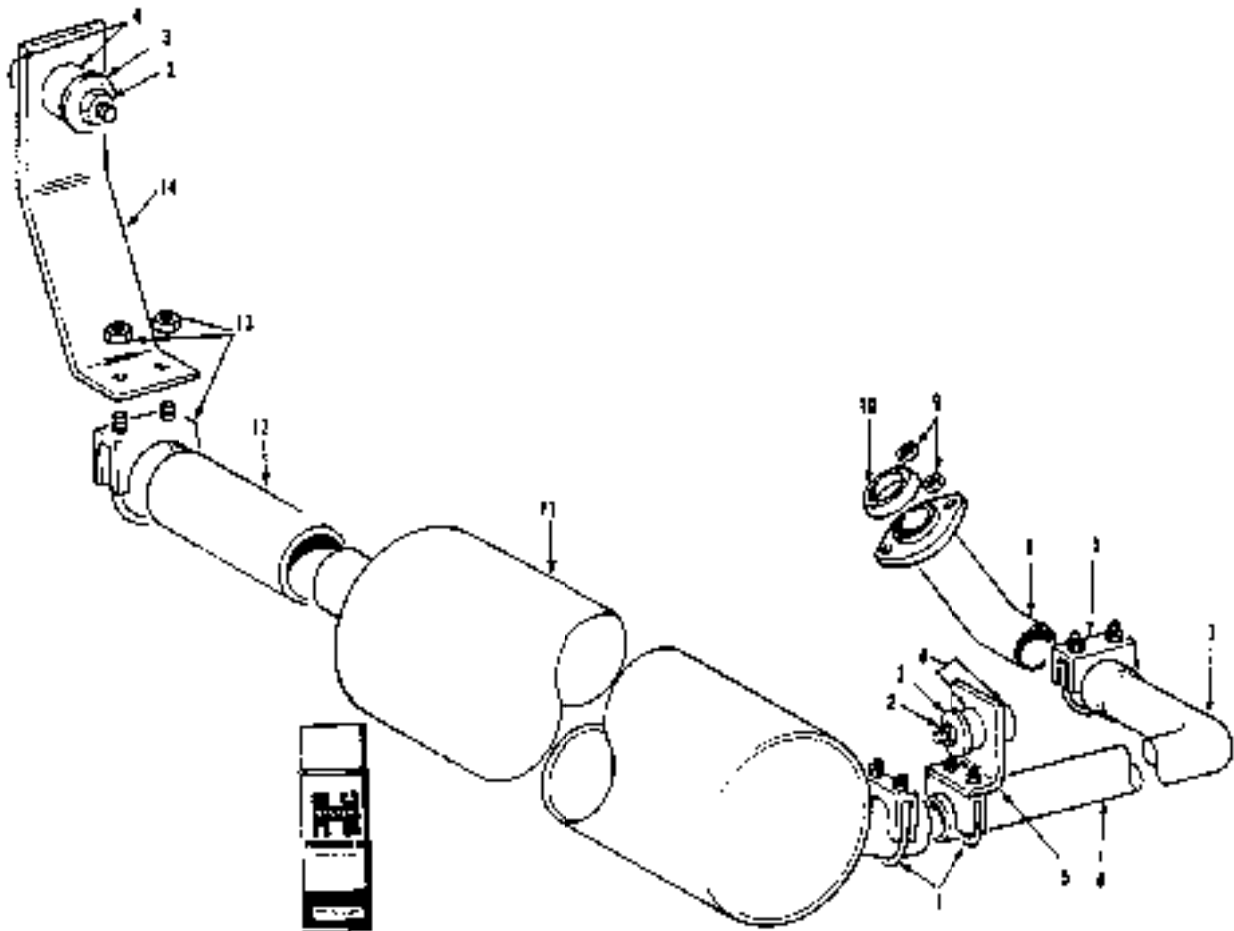
* SEE BULK HOSE CHART 2634



REF NO	HYSTER PART NO	NAME OF PART	QTY	REF NO	HYSTER PART NO	NAME OF PART	QTY
1	272963	RADIATOR	1	21	12015	VALVE-DRAIN	1
2	273059	CAP-RADIATOR	1	22	139102	SCREW	6
3	119236	CLAMP	4	23	16597	CAPSCREW	4
4	172891	HOSE	1	23	15156	LOCKWASHER	4
5	272966	SHROUD	1	23	15134	WASHER	4
6	140091	FAN	1	24	193829	HOSE	1
7	10449	CAPSCREW	4	25	130045	CLAMP	4
8	104184	SPACER	1	26	272877	HOSE	1
9	179919	PULLEY	1	27	15972	CLAMP	2
10	250123	BRACKET-FAN	1	27	69861	HOSE	1
10	250119	BEARING	1	28	129563	CLAMP	2
10	250121	BRACKET	1	28	15056	NUT	2
10	16394	CAPSCREW	2	29	15156	LOCKWASHER	2
10	250120	WASHER-SPRING	2	30	339736	HOSE	1
11	16015	CAPSCREW	2	31	252701	RESERVOIR	1
11	15156	LOCKWASHER	2	32	345454	CAP	1
12	127204	GASKET	2	33	187130	BRACKET	1
13	14534	FITTING	2	34	15056	NUT	2
14	15156	LOCKWASHER	6	34	16597	CAPSCREW	2
15	172882	HOSE	1	34	15156	LOCKWASHER	2
16	172895	V-BELT	1	35	215572	BRACKET	1
17	18760	CAPSCREW	3	36	345455	OUTLET	1
17	177947	LOCKWASHER	3	37	336550	GUSHING	1
18	103010	SHEAVE	1				
19	172863	SET-V-BELT	1				
20	15469	ELBOW-FITTING	2				

* SEE BULK HOSE CHART 2E14

EXHAUST



PENETRATING OIL
PART NO. L71352

KEY
A-GASOLINE
B-DIESEL

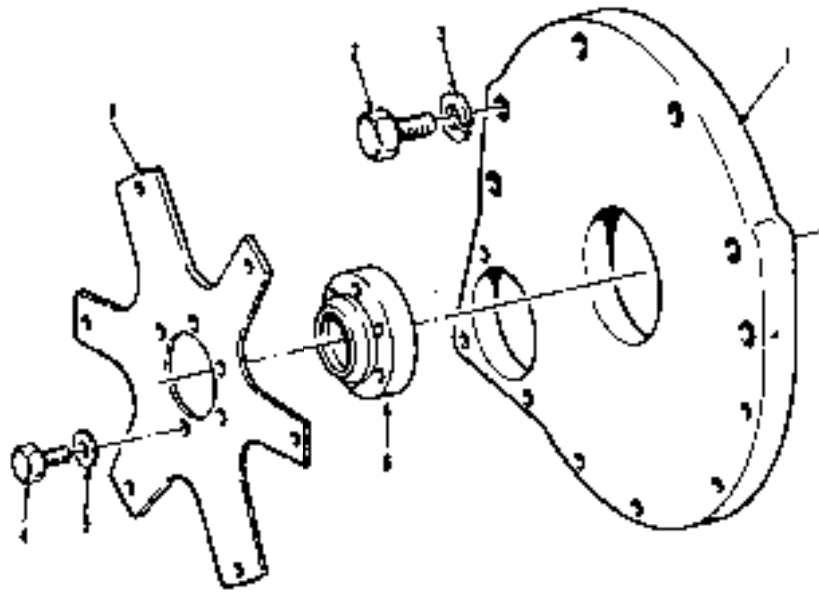
REF NO	HYSTER PART NO	NAME OF PART	QTY	
			A	B
1	30370	CLAMP	3	4
2	221394	LOCKNUT	2	2
3	15170	WASHER-FLAT	2	2
4	71360	MOUNT	4	4
5	272806	BRACKET	1	1
6	303396	BRACKET	1	1
7	306933	PIPE-EXHAUST	1	1
8	302731	PIPE-EXHAUST	1	1
9	302732	ELBOW	1	1
10	306931	PIPE-EXHAUST	1	1
11	302729	PIPE-EXHAUST	1	1

REF NO	HYSTER PART NO	NAME OF PART	QTY	
			A	B
9	18526	NUT	4	4
10	17407	NUT	4	4
10	251118	GASKET-ASS'YS/DS	1	1
11	299750	MUFFLER	1	1
11	310467	MUFFLER	1	1
12	306946	PIPE-TAIL	1	1
13	30312	CLAMP	1	1
14	306907	BRACKET	1	1

* INCLUDED IN GASKET KIT 200901

ADAPTER-ENGINE

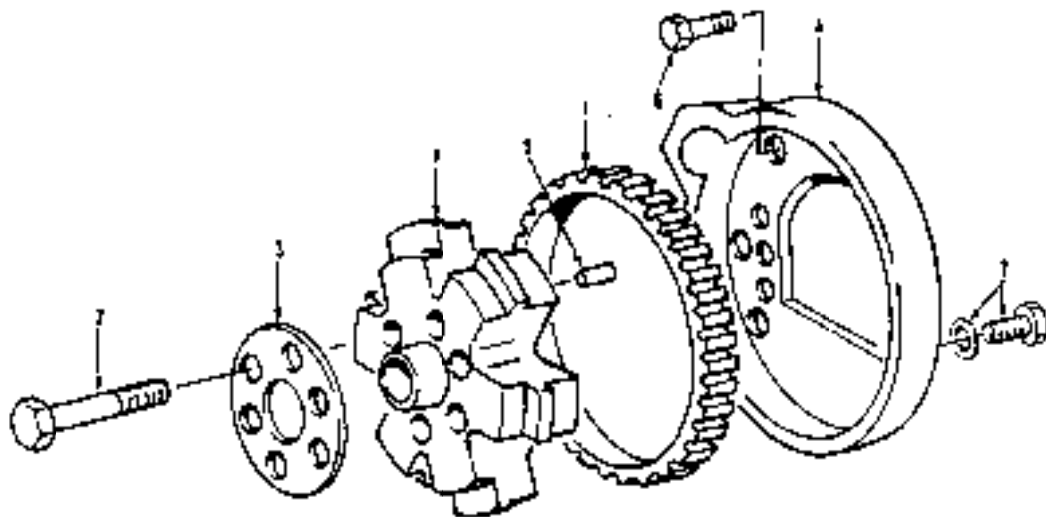
GASOLINE



REF NO	HYSTER PART NO	NAME OF PART	QTY	REF NO	HYSTER PART NO	NAME OF PART	QTY
		1 2 3 4				1 2 3 4	
1	272867	PLATE-ADAPTER	1	5	221769	WASHER-FLAT	4
2	16805	CAPSCREW	6	6	263079	HUB	1
3	15356	LICKNASHER	6	7	206133	PLATE-MOUNT	1
4	52164	BOLT	6				

ADAPTER-ENGINE/FLYWHEEL

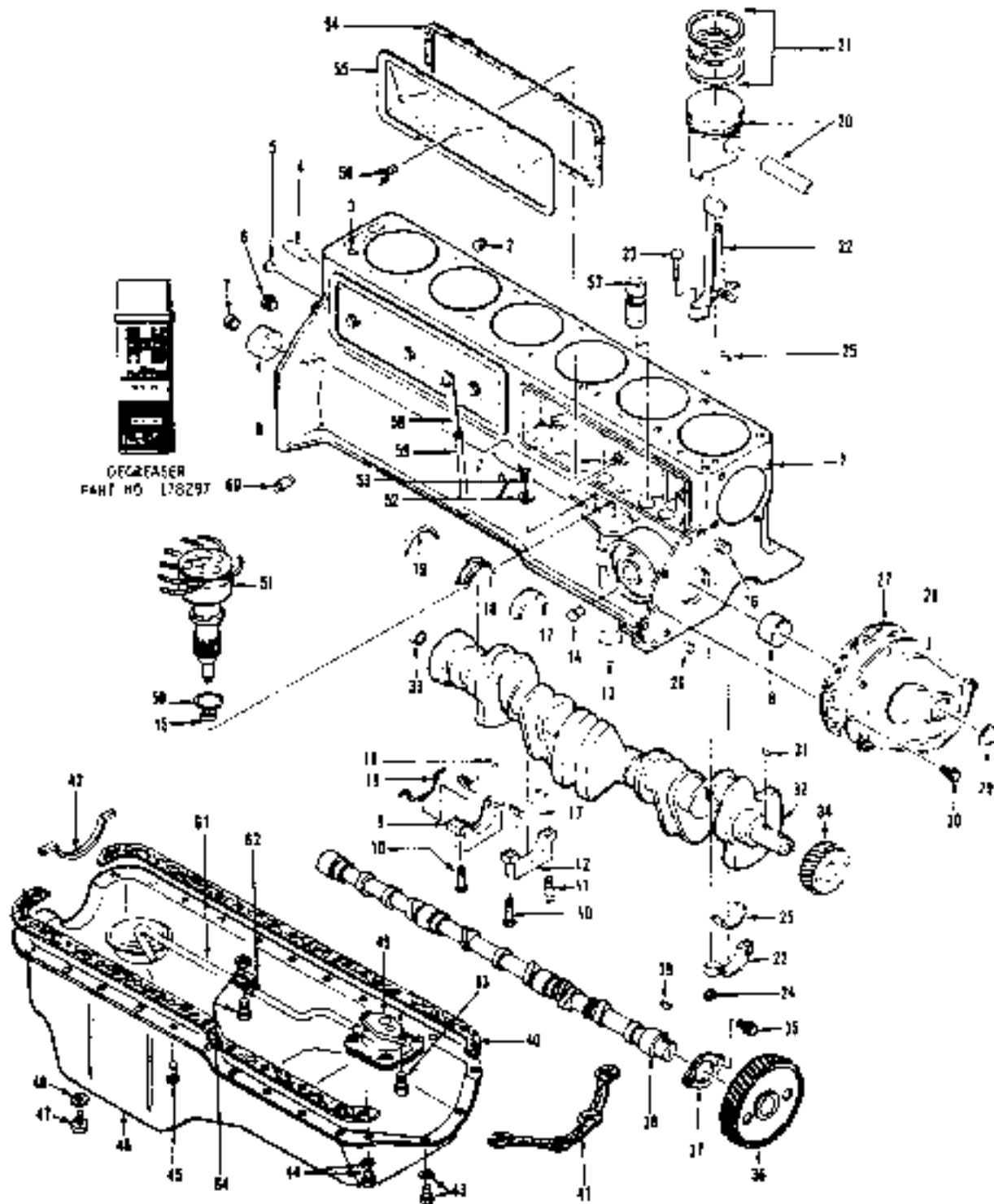
DIESEL



REF NO	HYSTER PART NO	NAME OF PART	QTY	REF NO	HYSTER PART NO	NAME OF PART	QTY
		1 2 3 4				1 2 3 4	
1	263091	FLYWHEEL	1	5	186420	PIN-DOWEL	2
1	195856	GEAR-RING	1	6	15946	BOLT	6
2	184955	BOLT	6	7	133469	CAPSCREW	3
3	206131	PLATE-MOUNT	1	7	15127	WASHER-FLAT	3
4	209867	PLATE-ADAPTER	1				

BLOCK-CYLINDER

GASOLINE



BLOCK-CYLINDER

GASOLINE

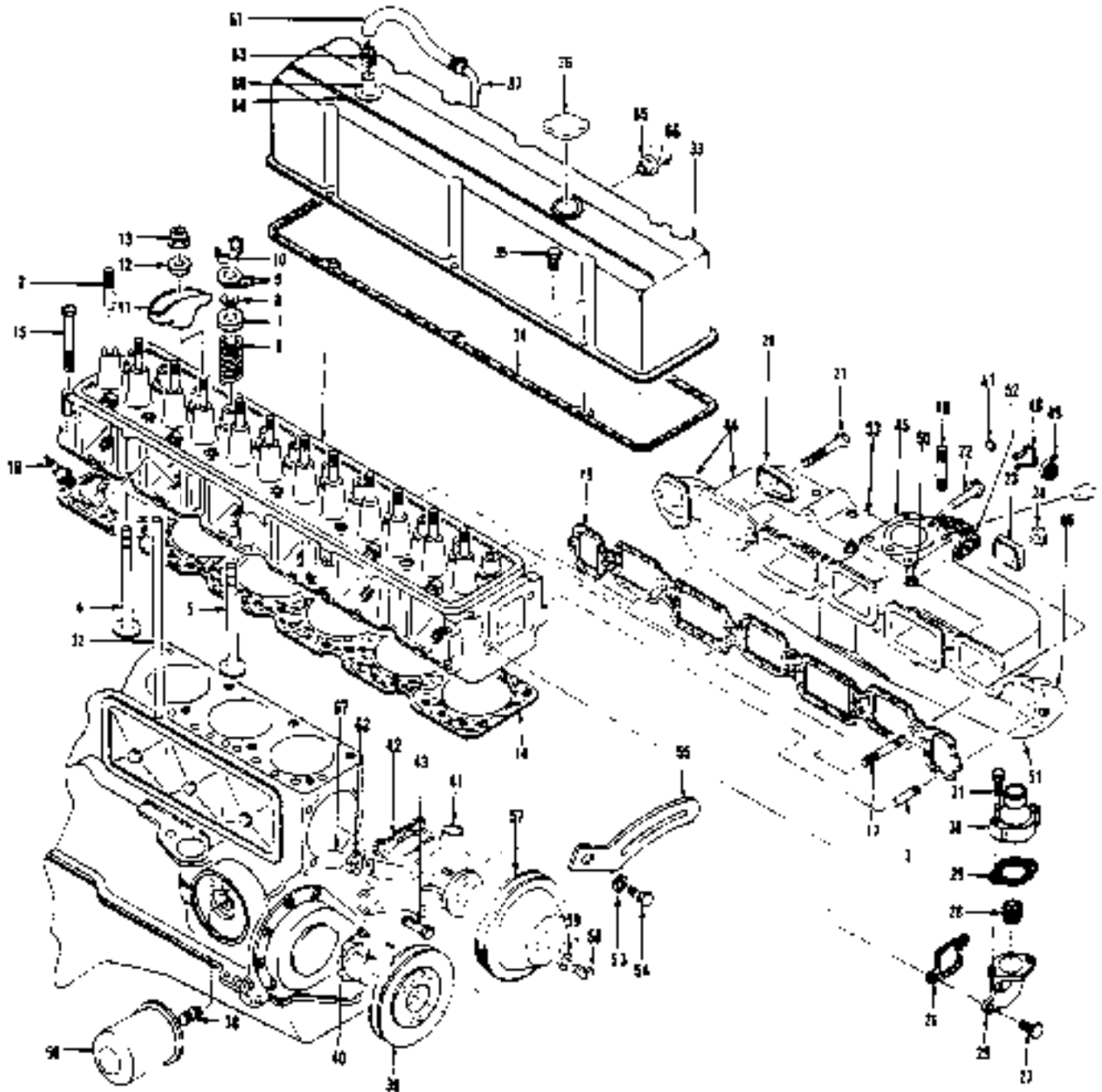
REF NO	HYSTER PART NO	NAME OF PART 1 2 3 4	QTY	REF NO	HYSTER PART NO	NAME OF PART 1 2 3 4	QTY
	309301	ENGINE	1	30	167768	SCREW/LKMSHR	2
1	314986	BLOCK-CYLINDER	1	31	7892	KEY-WOODRUFF	1
2	169716	PLUG-SEAL	1	32	279689	CRANKSHAFT	1
3	159977	PIN	2	33	148826	BEARING-PISTON	1
4	159976	PIN	2	34	265509	GEAR-CRANKSHAFT	1
5	15314	PLUG	1	35	167768	SCREW/LKMSHR	2
6	159972	PLUG-REAR	1	36	149898	GEAR-CAMSHAFT	1
7	164017	PLUG	1	37	199842	BEARING-THRUST	1
8	149819	BEARING-CAM	4	38	169941	CAMSHAFT	1
9	164021	CAP-MAIN BRG	1	39	7882	KEY-WOODRUFF	1
10	159973	BOLT	13	40	164031	GASKET-OIL PAN	1
11	154023	STUD	1	41	164746	GASKET	1
12	244923	CAP-BEARING	6	42	164747	SEAL-OIL REAR	1
13	149817	BEARING	1	43	16374	CAPSCREW	2
14	127645	VALVE-INT-PASS	1	43	177946	LOCKWASHER	2
15	159974	WASHER	1	44	16374	CAPSCREW	4
16	164022	PLUG	1	44	177946	LOCKWASHER	4
17	149806	BRG-MAIN STD	6	45	167768	SCREW/LKMSHR	16
17	149812	BRG-MAIN #001	6	46	189335	PAN-OTL	1
17	149813	BRG-MAIN #002	6	47	164029	SCREW	1
17	149814	BRG-MAIN #010	6	48	164030	GASKET	1
17	149815	BRG-MAIN #020	6	49	*****	PUMP-OIL	1
17	149816	BRG-MAIN #030	6			SEE 1911	
17	149807	BRG-MAIN STD	1	50	149892	GASKET	1
14	149807	BRG-MAIN #001	1	51	*****	DISTRIBUTOR	1
14	149808	BRG-MAIN #002	1			SEE 1509	
18	149809	BRG-MAIN #010	1	52	274247	CLAMP	1
18	149810	BRG-MAIN #020	1	53	161195	CAPSCREW	1
18	149811	BRG-MAIN #030	1	54	165087	GASKET	2
19	177561	SEAL-OIL REAR	2	55	160252	COVER-PUSH ROD	2
20	253988	PISTON/PIN STD	6	56	149976	BOLT/SEAL	6
20	253990	PISTON/PIN #030	6	57	213696	LIFTER-VALVE	12
21	244906	SET-RING STD	6	58	244902	DIAPHRAGM-OIL	1
21	244907	SET-RING #030	6	59	275051	TUBE	1
22	159992	ROD-CONNECTOR	6	60	14185	PLUG	1
23	162766	BOLT	12	61	253991	PIPE/SCREEN	1
24	177567	NUT	12	62	164027	CLAMP	1
25	265522	BRG-ROD STD	12	63	221473	CAPSCREW	1
25	265523	BRG-ROD #001	12	64	145641	LOCKNUT	1
25	244915	BRG-ROD #002	12	64	312942	BOLT	1
25	244917	BRG-ROD #010	12				
25	244916	BRG-ROD #020	12				
26	15314	PLUG	1				
27	164034	GASKET	1				
28	189609	COVER	1				
29	147076	SEAL-OIL	1				

* INCLUDED IN GASKET SET 301967
 + INCLUDED IN GASKET SET 266509

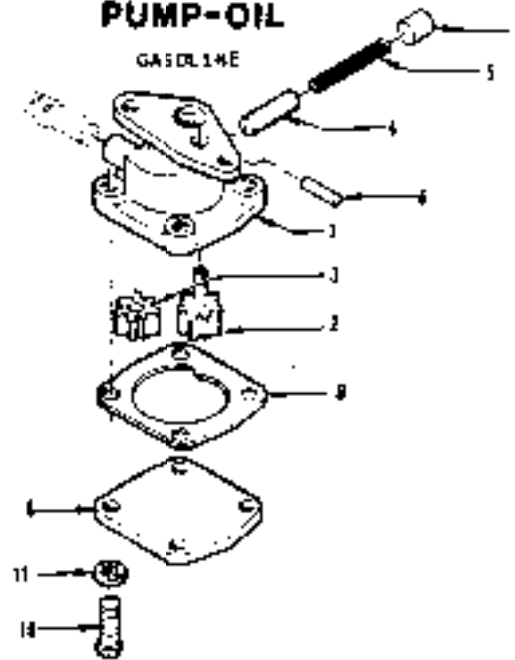
NOTE: CYLINDER BLOCK COMES WITH STANDARD
 SIZE BEARING PISTONS AND RING SETS

HEAD-CYLINDER

GASOLINE



PUMP-OIL



REF NO	HYSTER PART NO	NAME OF PART	QTY	REF NO	HYSTER PART NO	NAME OF PART	QTY
	309301	ENGINE	1	7	177543	PLUG	1
	149844	PUMP-OIL	1	8	149848	COVER	1
1	*****	BODY	1	9	149847	GASKET	1
2	*****	GEAR-DRIVE	1	10	16709	SCREW	4
3	*****	GEAR-DRIVEN	1	11	15154	LOCKWASHER	4
4	143176	VALVE	1				
5	145177	SPRING	1				
6	149843	PIN-RETAINER	1				

* INCLUDED IN GASKET SET 301967

MOUNTS-ENGINE



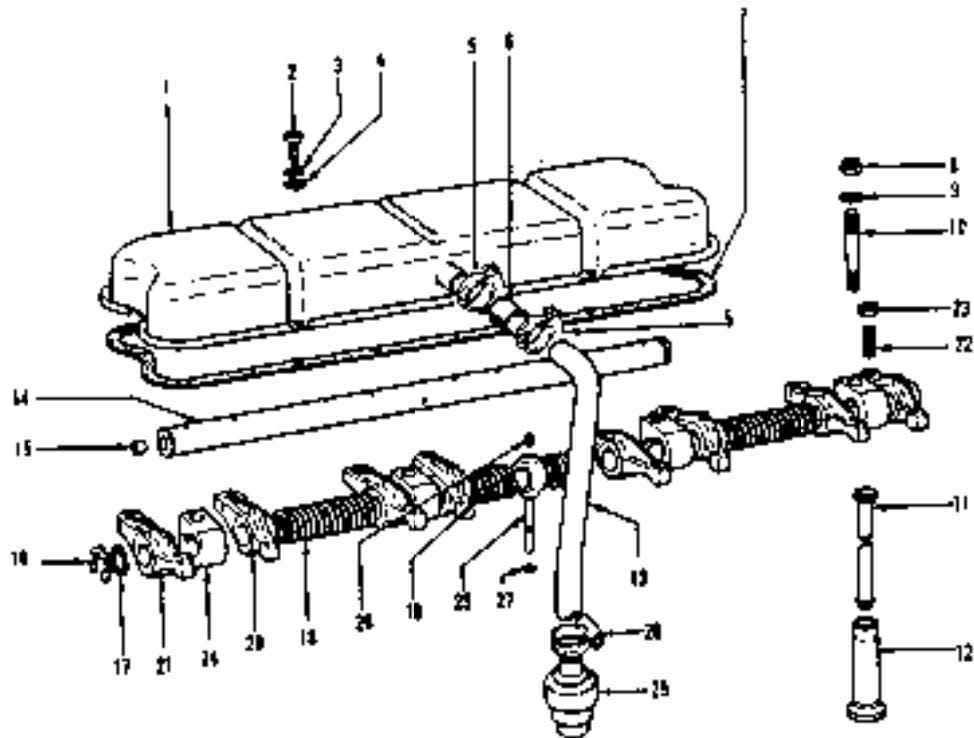
KEY
1-GASOLINE
2-DIESEL

REF NO	HYSTER PART NO	NAME OF PART	QTY	REF NO	HYSTER PART NO	NAME OF PART	QTY
1	223723	MOUNT-ENGINE	4 4	11	197853	SCREW	4 **
2	231858	WASHER	4 4	12	248091	SPACER	1 **
3	191115	NUT	4 4	12	197852	SPACER	1 **
4	16637	WASHER-FLAT	8 8	13	197849	PLATE	2 **
5	18596	CAPSCREW	2 2	14	147853	SCREW	1 **
6	223754	LOCKNUT	4 4	14	147850	SCREW	1 **
6	15158	LOCKWASHER	4 4	15	248090	WASHER	4 4
7	272859	BRACKET-LH	1 1	16	18593	CAPSCREW	2 2
8	272863	BRACKET-RH	1 1	17	296818	BRACKET-RH	** 1
8	200454	CAPSCREW	8 8	17	296817	BRACKET-LH	** 1
8	15154	LOCKWASHER	8 8	18	241114	STUD	** 8
9	15135	WASHER-FLAT	4 4				
10	272858	BRACKET-RH	1 **				
10	272857	BRACKET-LH	1 **				

* RIGHT HAND
* LEFT HAND

COVER-CYLINDER HEAD/SHAFT-ROCKER

DIESEL



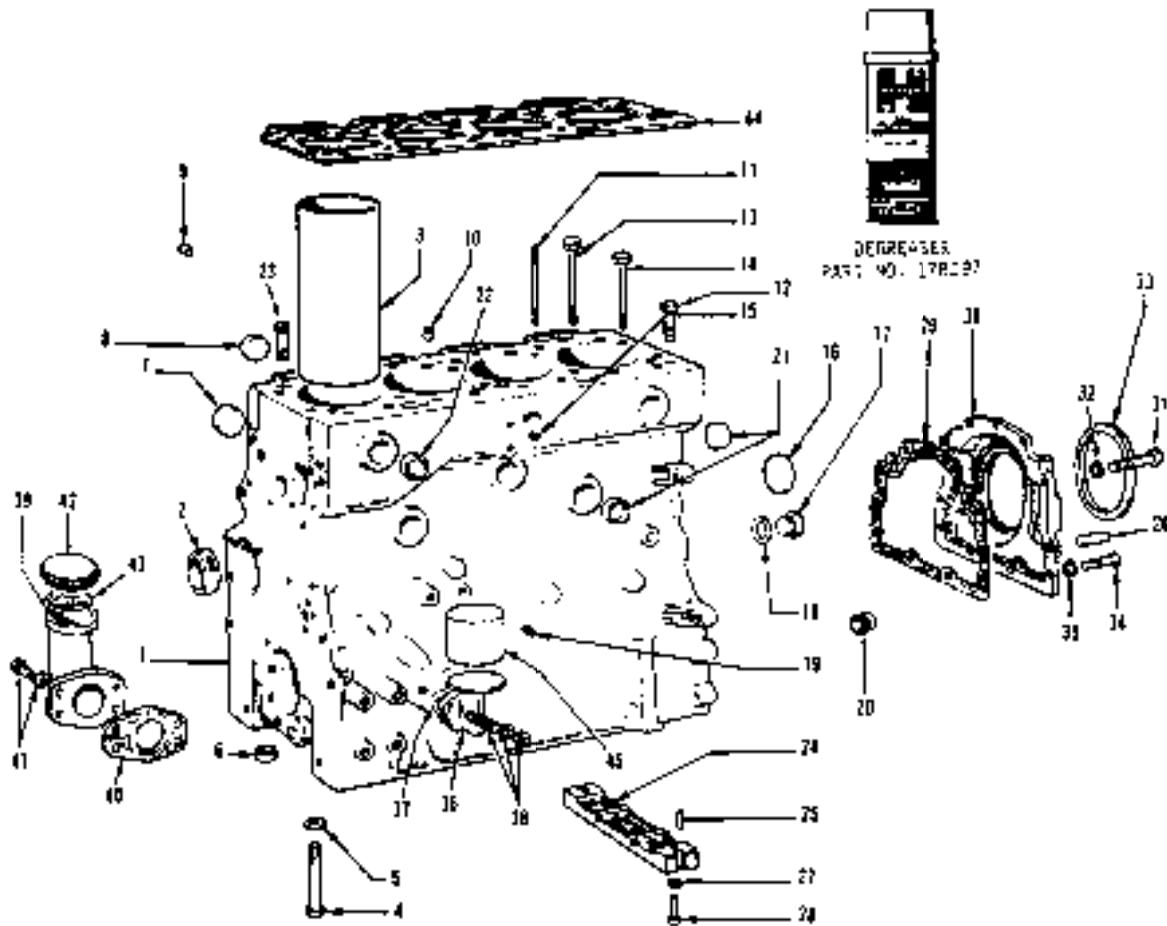
REF NO	HYSTER PART NO	NAME OF PART	QTY
	101384	ENGINE	1
1	250704	COVER-VALVE	1
2	220354	SCREW	4
3	15154	LOCKWASHER	4
4	992628	WASHER	4
5	328018	CLIP	2
6	229877	PIPE-BREATHER	1
7	158085	GASKET	1
8	15007	NUT	4
9	992622	WASHER	4
10	161456	STUD	4
11	99728	ROD-PUSH	8
12	224248	TAPPET	8
13	229878	PIPE-BREATHER	1
14	257600	SHAFT-ROCKER	1
14	161451	SHAFT-ROCKER	1
15	990429	PLUG	2
16	99725	RING-SEAL	2

REF NO	HYSTER PART NO	NAME OF PART	QTY
17	99724	WASHER	2
18	99722	SPRING-LONG	2
19	99723	SPRING-SHORT	2
20	161453	LEVER-RH	4
20	161454	BUSHING	4
21	161455	LEVER-LH	4
21	161454	BUSHING	4
22	99727	SCREW	8
23	15026	NUT-JAM	8
24	161452	BRACKET	4
25	173910	PIPE	1
26	220493	SCREW	1
27	158107	SLEEVE	1
28	328018	CLIP	1
29	169661	BREATHER	1

* INCLUDED IN TOP GASKET SET 328058

BLOCK-CYLINDER

DIESEL

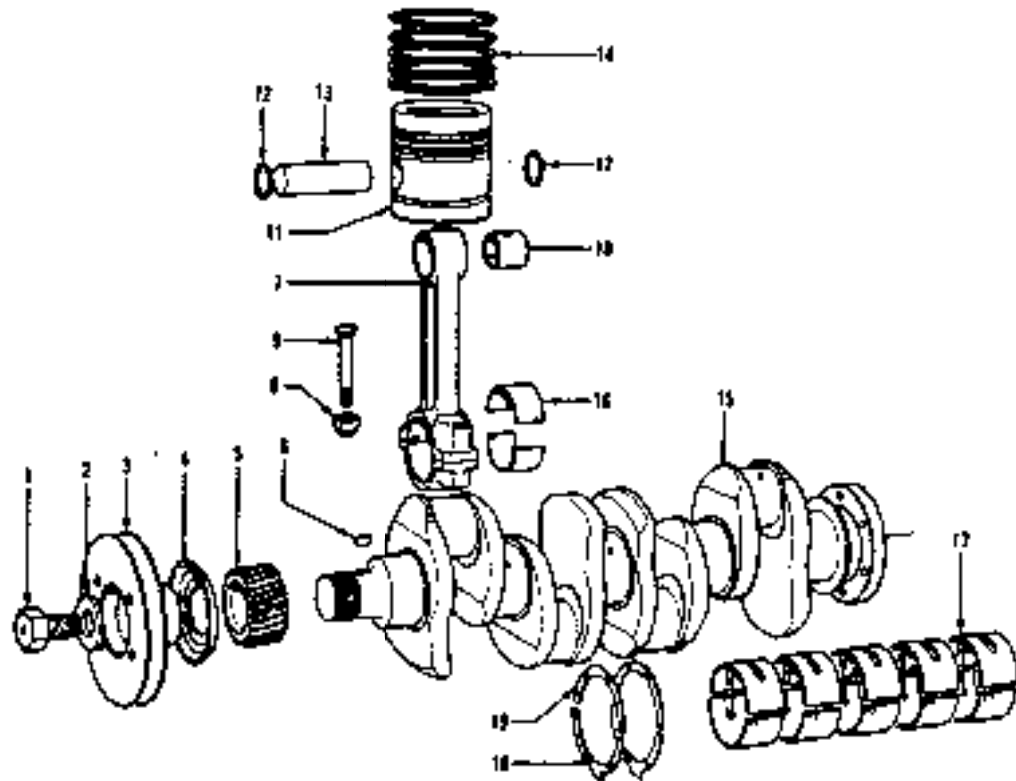


REF NO	HYSTER PART NO	NAME OF PART	QTY	REF NO	HYSTER PART NO	NAME OF PART	QTY
	301384	ENGINE	1	28	99600	SCREW	2
1	336583	BLOCK-SHORT	1	29	266472	GASKET	1
2	257603	BUSHING	1	30	271298	HOUSING	1
3	138590	LINER	10	31	14466	CAPSCREW	2
4	56194	CAPSCREW	10	32	328043	WASHER	2
5	000430	SHIM	10	33	264214	SEAL	1
6	99576	THIMBLE	10	34	16325	CAPSCREW	10
7	161363	PLUG	4	35	992629	WASHER	10
8	229802	PLUG	4	36	250716	ADAPTER	1
9	127918	PLUG	1	38	169989	PLUG	1
10	992103	PLUG	1	37	249466	GASKET	1
11	138982	STUD	2	38	* 161495	STUD	1
12	195342	CAPSCREW	6	38	* 169665	STUD	1
13	195343	CAPSCREW	12	38	19007	NUT	2
14	195344	CAPSCREW	2	38	15151	LOCKWASHER	2
15	156440	PLUG	1	39	250702	TUBE-FILLER	1
16	99585	PLUG	1	40	750701	GASKET	1
17	161385	PLUG	1	41	16618	CAPSCREW	2
18	086632	WASHER	1	41	15155	LOCKWASHER	2
19	99586	PLUG	8	42	983249	CAP	1
20	245800	PLUG	2	43	985218	GASKET	1
21	990334	PLUG	8	44	* 195341	GASKET	1
22	991423	PLUG	1	45	195852	FILTER-OIL	1
23	138981	STUD	1				
24	99599	GASKET	1				
25	* 99601	GASKET	1				
26	170819	PIN-DMEL	2				
27	144813	WASHER	2				

* INCLUDED IN TOP GASKET KIT 328058
 * INCLUDED IN BOTTOM GASKET KIT 166931
 * SHORT
 † LONG

PISTONS/CRANKSHAFT

DIESEL



REF NO	HYSTER PART NO	NAME OF PART 1 2 3 4	QTY
	301364	ENGINE	1
1	99646	SCREW	1
2	99647	WASHER	1
3	168701	PULLEY	1
4	168700	FLANGE	1
5	168697	GEAR	1
6	99610	KEY-WOODRUFF	1
7	161460	ROD-CONNECTOR	4
8	99663	NUT	2
9	161648	BOLT	2
10	99668	BUSHING	1
11	280458	PISTON-STD	4
11	280459	PISTON-+.030	4
12	992003	RING-SNAP	2
13	+++++	PIN	1
14	125509	SET-RING STD	4
14	297026	SET-RING +.030	4
15	271299	CRANKSHAFT/BRG	1

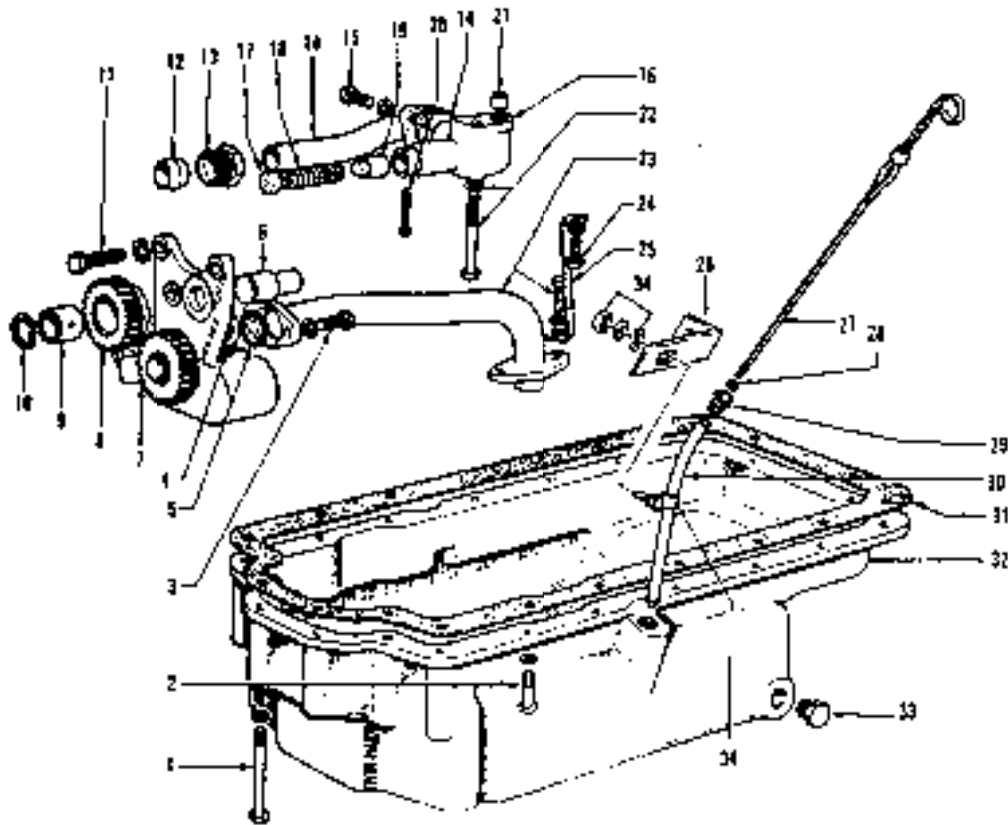
REF NO	HYSTER PART NO	NAME OF PART 1 2 3 4	QTY
16	161426	BRG-ROD STD	4
16	161432	BRG-ROD +.020	4
16	161433	BRG-ROD +.020	4
16	161434	BRG-ROD +.030	4
17	161425	BRG-MAIN STD	1
17	161429	BRG-MAIN +.010	1
17	161430	BRG-MAIN +.020	1
17	161431	BRG-MAIN +.030	1
18	161292	WASHER-STD	2
18	161297	WASHER+.007	2
19	161291	WASHER-STD	2
19	161296	WASHER+.007	2

* INCLUDES STANDARD SIZE BEARINGS AND THRUST WASHERS

+ INCLUDED WITH SHORT BLOCK 336583

PAN-OIL

DIESEL



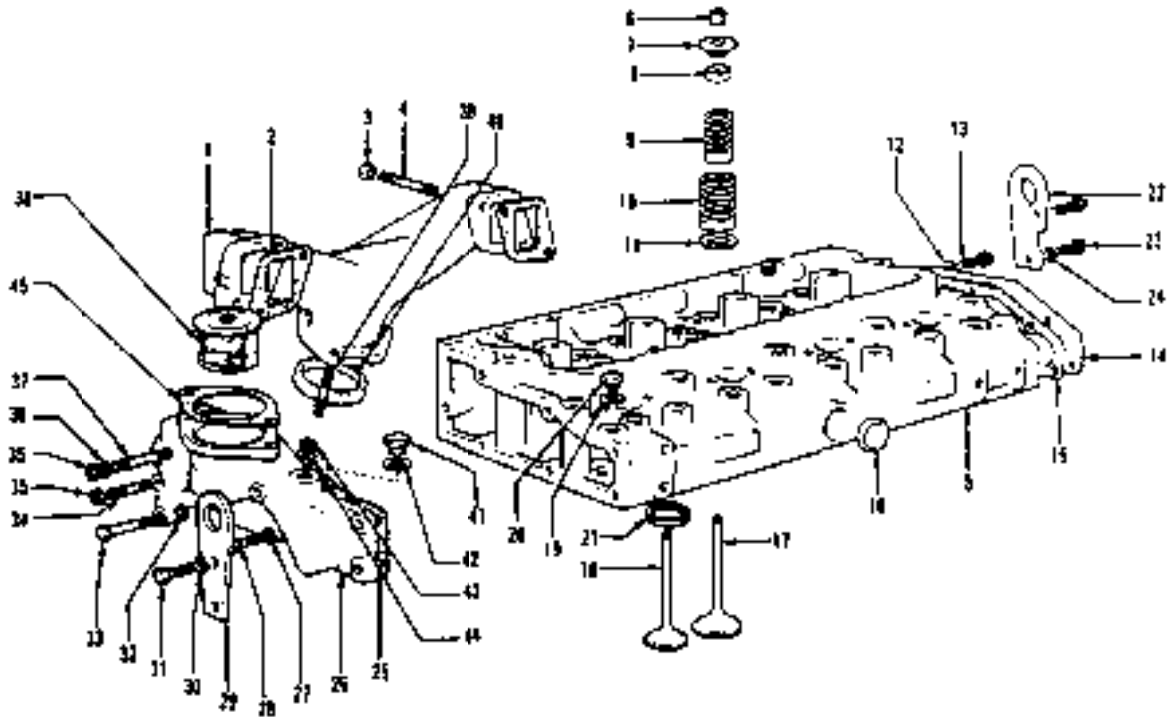
DEGREASER
PART NO 178297

REF NO	HYSTER PART NO	NAME OF PART	QTY	REF NO	HYSTER PART NO	NAME OF PART	QTY
	301304	ENGINE	1	20	15274	PIN	1
1	101493	CAPSCREW	6	21	990332	THIMBLE	1
1	15155	LOCKWASHER	6	22	16779	CAPSCREW	1
2	16691	CAPSCREW	11	22	15156	LOCKWASHER	3
2	16825	CAPSCREW	1	23	291546	PIPE/STRAINER	1
2	15155	LOCKWASHER	12	23	18463	CAPSCREW	2
3	16816	CAPSCREW	2	23	992628	WASHER	2
3	992629	WASHER	1	23	15155	LOCKWASHER	1
4	291549	BUSHING	1	24	16816	CAPSCREW	1
5	177574	GASKET	1	24	992628	WASHER	1
6	101504	SHAFT	1	24	15155	LOCKWASHER	3
7	161500	GEAR-DRIVE	1	25	291548	CLIP	1
8	161495	GEAR	1	26	291547	BRACKET	1
9	161502	BUSHING	1	21	161495	CLIPSTICK	1
10	328047	RING-SNAP	1	28	125519	WASHER	1
11	16691	CAPSCREW	3	29	222136	FITTING	1
11	15155	LOCKWASHER	3	30	161494	TUBE	1
12	982302	SLEEVE	1	31	161492	GASKET	1
13	984314	NUT	1	32	161491	PAN-OIL	1
14	151496	PIPE	1	33	15303	PLUG	1
14	161506	GASKET-HEEL	1	34	261689	BRACKET-SUPPORT	1
15	18459	CAPSCREW	2	34	16459	CAPSCREW	2
15	15155	LOCKWASHER	2	34	992628	WASHER	2
16	169949	FITTING	1	34	15154	LOCKWASHER	1
16	167497	HOUSING	1	34	15009	NUT	1
17	181509	CAP-RELIEF	1				
18	167046	SPRING	1				
19	167055	PLUNGER	1				

* INCLUDED IN BOTTOM GASKET SET 168921

HEAD-CYLINDER/VALVES/MANIFOLD-EXHAUST

DIESEL



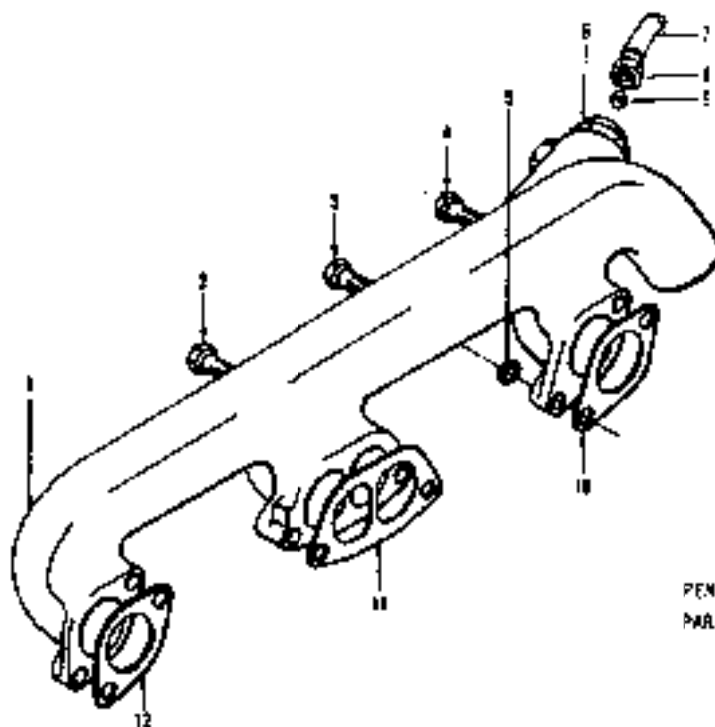
REF NO	HYSTER PART NO	NAME OF PART	QTY	REF NO	HYSTER PART NO	NAME OF PART	QTY
	301394	ENGINE	1	22	161416	PLATE	1
1	169859	MANIFOLD-EXH	1	23	16896	CAPSCREW	2
2	161419	GASKET	2	24	15154	LOCKWASHER	2
3	257077	NUT	4	25	* 161409	GASKET	1
4	161420	STUD	4	26	164359	BODY-OUTLET	1
5	* 176535	HEAD-CYLINDER	1	27	15155	LOCKWASHER	2
6	99571	KEEPER-VALVE	10	28	16691	CAPSCREW	2
7	99570	CAP	6	29	161410	PLATE	1
8	99574	DEFLECTOR-OIL	4	30	15154	LOCKWASHER	2
9	161430	SPRING-VL INNER	4	31	16779	CAPSCREW	2
10	161407	SPRING-VL OUTER	4	32	15150	LOCKWASHER	5
11	168697	WASHER	2	33	16814	CAPSCREW	2
12	15155	LOCKWASHER	2	33	18512	CAPSCREW	1
13	16816	CAPSCREW	4	34	983301	STUD	1
14	328027	PLATE	1	35	15006	NUT	2
15	* 161398	GASKET-COVER	1	36	15154	LOCKWASHER	2
16	990314	PLUG	1	37	983301	STUD	1
17	* 229869	VALVE-INL STD	4	38	161412	THERMOSTAT-L80	1
17	161400	VALVE-INL #003	4	39	985388	STUD	3
17	161401	VALVE-INC #315	4	40	* 161422	GASKET	1
17	161402	VALVE-INC #030	4	41	992025	PLUG	1
18	* 99573	VALVE-EXH STD	4	42	986475	WASHER	1
18	161403	VALVE-EXH #003	4	43	992631	WASHER	3
18	161404	VALVE-EXH #015	4	44	15006	NUT	3
18	161405	VALVE-EXH #030	4	45	* 328059	GASKET	1
19	986475	WASHER	1				
20	992025	PLUG	1				
21	173897	INSERT	4				

* INCLUDED IN TOP GASKET SET 328058

+ CYLINDER HEAD INCLUDES STANDARD VALVES

MANIFOLD-INLET

DIESEL



PENETRATING OIL
PART NO. 171352

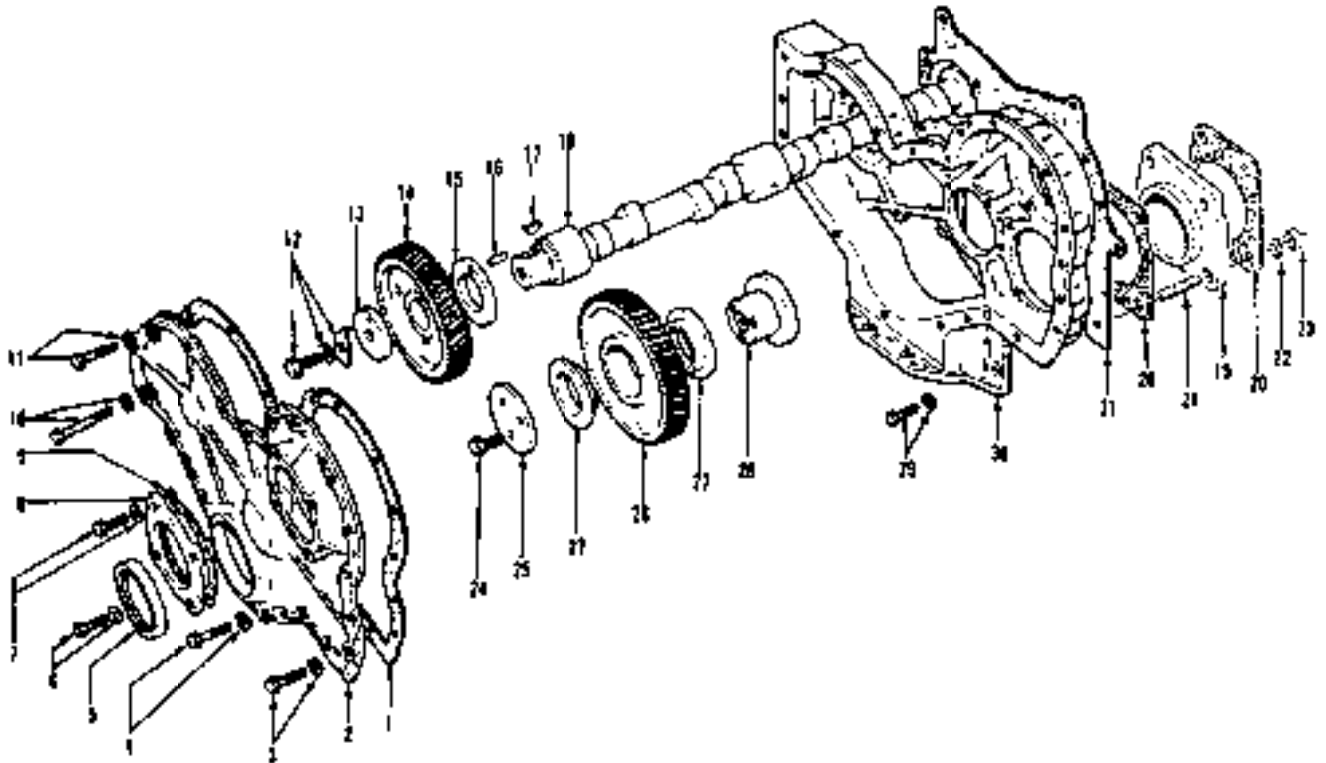
REF NO	HYSTER PART NO	NAME OF PART 1 2 3 4	QTY
	301704	ENGINE	1
1	187487	MANIFOLD-INLET	1
2	12231	CAPSCREW	1
3	18202	CAPSCREW	4
4	302723	BOLT	1
5	15150	LOCKWASHER	4
6	484104	HEATER	1
7	314982	PIPE	1

REF NO	HYSTER PART NO	NAME OF PART 1 2 3 4	QTY
8	152609	WASHER	1
9	152608	SLEEVE	1
10	101461	GASKET	1
11	101460	GASKET	1
12	268990	GASKET	1

* INCLUDED IN TOP GASKET SET 328058

GEARS-TIMING

DIESEL

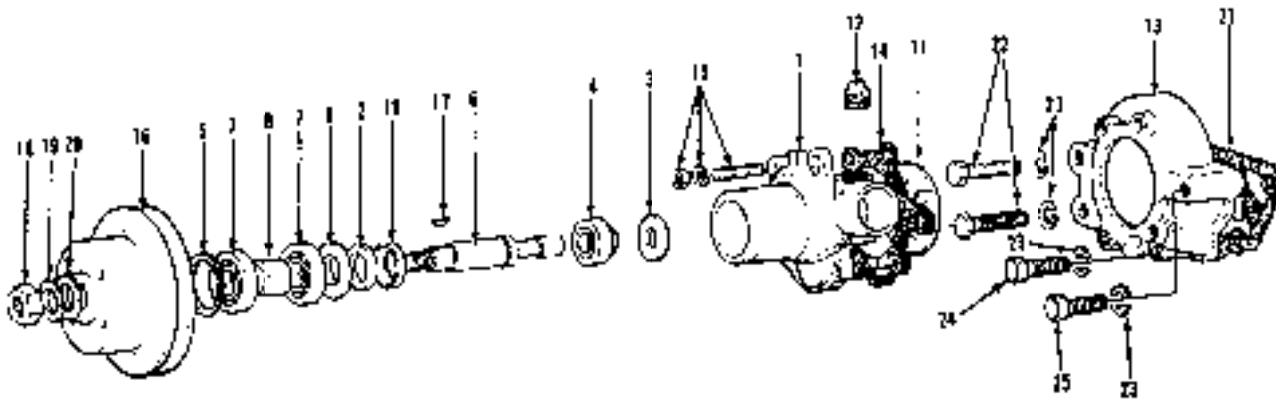


REF NO	HYSTER PART NO	NAME OF PART	QTY	REF NO	HYSTER PART NO	NAME OF PART	QTY
	301364	ENGINE	1	15	99614	WASHER	1
1	* 168892	GASKET	1	16	290096	DOMEL	1
2	168891	COVER-GEAR	1	17	99610	KEY-WOODRUFF	1
3	16691	CAPSCREW	4	18	161463	CAMSHAFT	1
3	985299	WASHER	4	19	* 313042	PLATE	1
4	10691	CAPSCREW	2	20	148509	GASKET	1
4	15155	LOCKWASHER	2	20	313041	GASKET	1
5	226115	SEAL	1	21	313043	STUD	4
6	167492	PIW	1	22	15155	LOCKWASHER	4
6	133573	WASHER	1	23	15005	NUT	4
7	187742	CAPSCREW	4	24	17154	CAPSCREW	3
7	985299	WASHER	4	25	982226	PLATE	1
8	99637	CLVER	1	26	168704	GEAR-IDLER	1
9	* 99636	GASKET	1	27	983484	BUSHING	2
10	18514	CAPSCREW	4	28	229675	WOB-IDLER GEAR	1
10	15155	LOCKWASHER	4	29	10691	CAPSCREW	9
11	16634	CAPSCREW	1	29	15155	LOCKWASHER	9
11	15156	LOCKWASHER	1	30	281970	HOUSING	1
12	99611	CAPSCREW	1	31	* 161472	GASKET	1
12	140598	WASHER	1				
12	99613	WASHER-FLD	1				
13	99612	WASHER	1				
14	99609	GEAR-CAMSHAFT	1				

* INCLUDED IN BOTTOM GASKET SET 168901
 * SEE 1806 FOR EXHAUSTER AND EXHAUSTER GEAR

PUMP-WATER

DIESEL



REF NO	HYSTER PART NO	NAME OF PART				QTY
		1	2	3	4	
	278849	PUMP-WATER				1
1	*****	BODY-FRONT				1
2	986182	SEAL-FRONT				1
3	224373	SEAL-REAR				1
4	197549	SEAL-CHAMTC				1
5	128053	WING-SNAP				1
6	*****	SHAFT				1
7	*****	BEARING				2
8	*****	SPACER				1
9	*****	FLANGE				1
10	*****	RETAINER				1
11	*****	IMPELLER				1
12	15967	PLUG-FITTING				1
13	277996	BODY-REAR				1
14	161522	GASKET				1

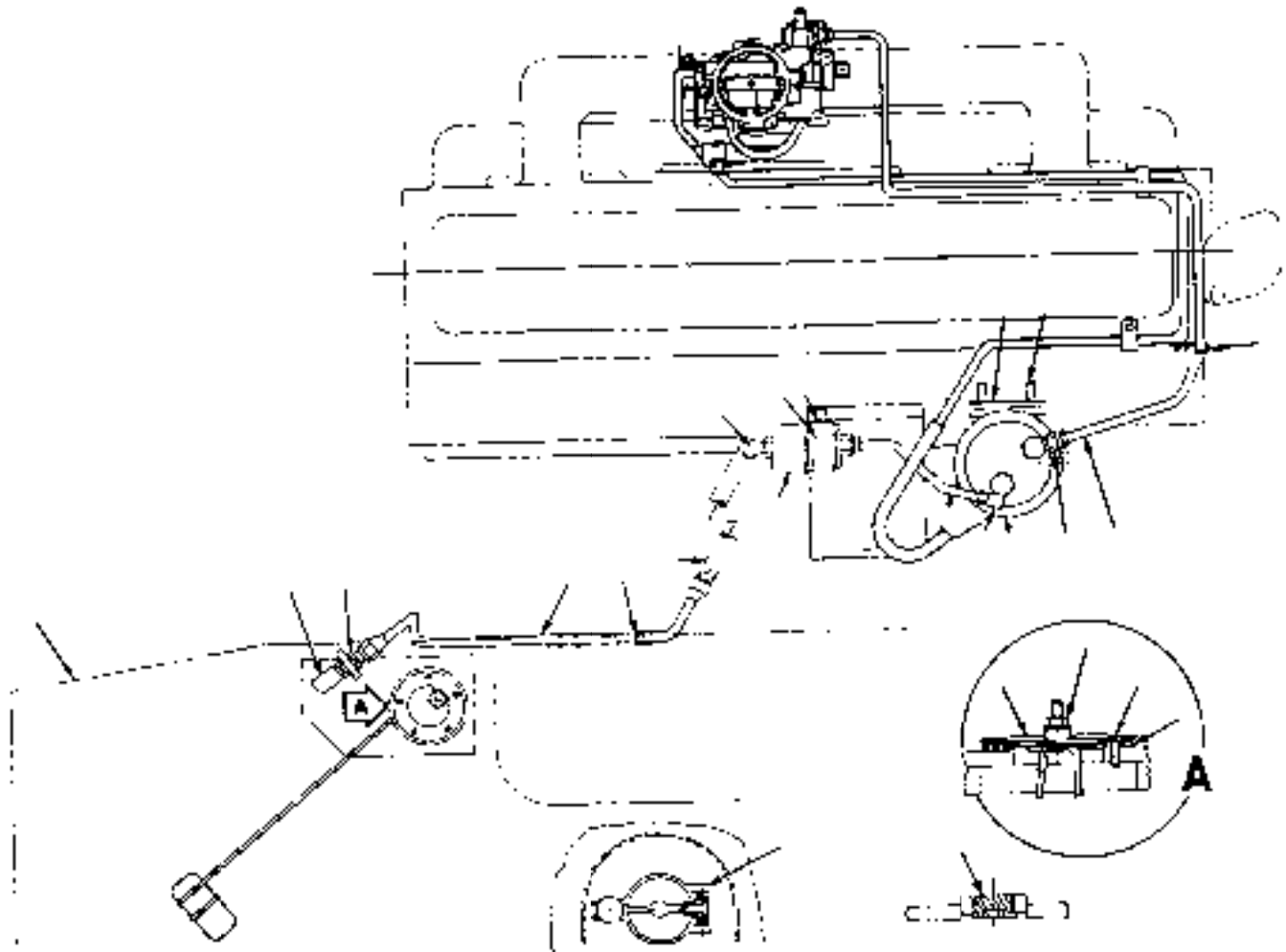
REF NO	HYSTER PART NO	NAME OF PART				QTY
		1	2	3	4	
15	99686	STUD				4
15	15005	NUT				4
15	15155	LOCKWASHER				4
16	161519	VALLEY				1
17	9033	KEY-WOODRUFF				1
18	15010	NUT				1
19	197551	WASHER				1
20	161520	SPACER				1
21	161525	GASKET				1
22	17154	CAPSCREW				2
23	15156	LOCKWASHER				4
24	18231	CAPSCREW				1
25	18539	CAPSCREW				1

*INCLUDED IN REPAIR KIT 202204

FUEL

CARBURETOR GASOLINE.....1007-1008
 FILTER-AIR DIESEL.....1005
 FILTER-AIR GASOLINE.....1006
 FUEL DIESEL.....1004
 FUEL GASOLINE.....1003
 INJECTION-FUEL DIESEL.....1009
 LINKAGE-THROTTLE.....1011
 PUMP-LEFT DIESEL.....1010

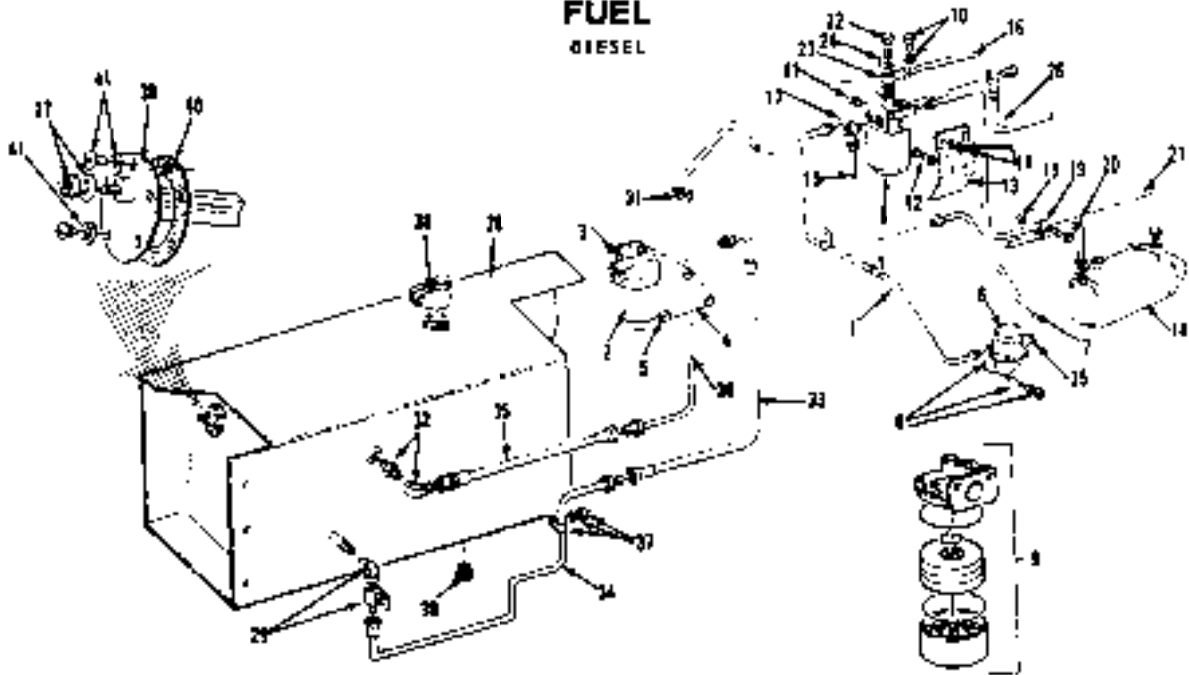
FUEL
GASOLINE



REF NO	HYSTER PART NO	NAME OF PART	QTY	REF NO	HYSTER PART NO	NAME OF PART	QTY
1	*****	CARBURETOR SEE 1001-1004	1	13	149914	GASKET	1
2	291951	TANK-FUEL	1	14	191820	CAPSCREW	2
2	14593	CAPSCREW	3	15	16138	FITTING	1
2	19058	NUT	6	16	271345	TUBE	1
2	15158	LOCKWASHER	6	17	69392	ELBOW-FITTING	1
3	198675	CLAMP	2	18	16147	VALVE-SPRUT-OFF	1
3	15054	NUT	2	19	15315	PLUG-FITTING	1
3	15156	LOCKWASHER	2	20	118748	CLAMP	1
4	301915	TUBE	1	21	291958	SENDER-FUEL	1
5	313971	NOSE	1	22	15916	LOCKWASHER	1
6	14368	ELBOW-FITTING	1	22	15002	NUT	1
7	172921	FILIER	1	23	220493	SCREW	5
8	195366	CLAMP	1	23	222092	WASHER-FLAT	1
9	18535	CAPSCREW	1	23	190887	SEAL	5
9	15154	LOCKWASHER	1	24	111561	GASKET	1
10	223940	TUBE	1	25	63899	CAP-SCREW	1
11	16185	FITTING	1				
12	153995	PUMP-FUEL	1				

* INCLUDED IN GASKET KIT 301967

FUEL DIESEL

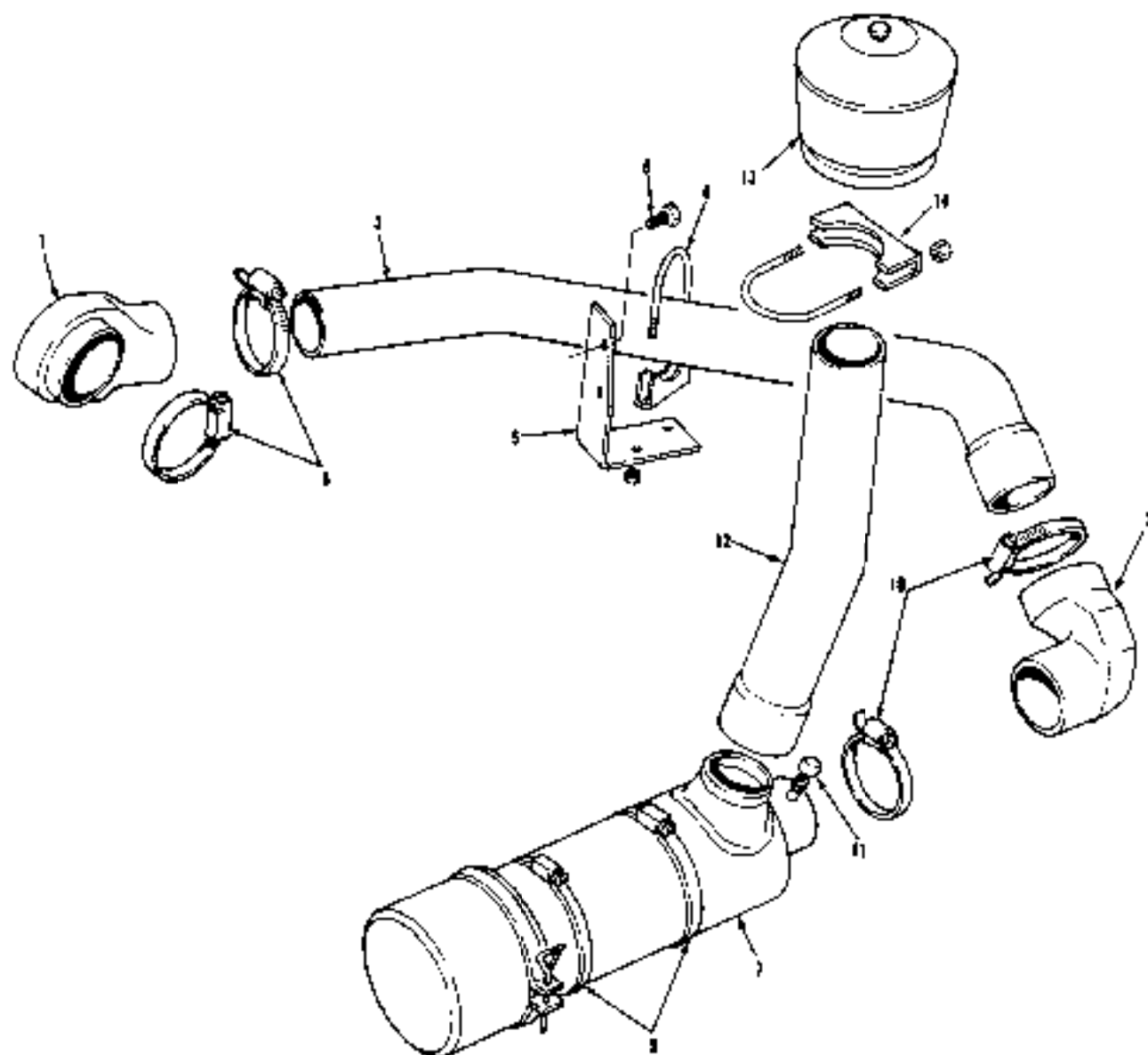


REF NO	HYSTER PART NO	NAME OF PART	QTY	REF NO	HYSTER PART NO	NAME OF PART	QTY
		1 2 3 4				1 2 3 4	
	301384	ENGINE	1	19	161537	CLIP	2
1	271319	WIPE	1	20	16723	SCREEN	1
1	271320	CLIP	2	21	250713	PIPE	1
1	18536	CAPSCREW	2	22	983346	BOLT	1
1	15156	LOCKWASHER	2	23	982234	CONNECTOR	1
2	250708	FILTER	1	24	981348	WASHER	2
2	173941	PLUG	2	25	985222	NUT	1
2	981260	WASHER	2	27	16114	FITTING	1
3	173934	CAPSCREW	2	26	314982	PIPE	1
3	15006	NUT	2	26	261651	CLAMP	1
3	15156	LOCKWASHER	2	26	245884	VALVE	1
4	252783	BRACKET	1	26	981652	WASHER	1
5	16634	CAPSCREW	2	26	245784	CONNECTOR	1
5	15156	LOCKWASHER	3	26	982951	BOLT	1
5	152605	SPACER	3	26	981652	WASHER	2
5	16634	CAPSCREW	1	26	152609	NUT	2
5	992630	WASHER	1	26	152608	SLEEVE	2
6	*****	PUMP-LEFT	1	27	15916	LOCKWASHER	1
		SEE ID10		27	15002	NUT	1
6	226932	GASKET	1	28	291951	TANK-FUEL	1
6	983347	STUD	4	28	18590	CAPSCREW	3
6	984383	NUT	4	28	15058	NUT	6
6	273324	PLATE	2	29	64392	ELBOW-FITTING	1
7	250710	PIPE	1	29	16147	VALVE-SHUT-OFF	1
8	173944	FILTER-FUEL	1	30	15315	PLUG-FITTING	1
9	124217	KIT-ELEMENT	1	31	114312	CLAMP-STRAP	2
7	* 292761	RING-SEAL	1	32	14367	FITTING	1
9	* 292762	RING-SEAL	1	32	16271	FITTING-HIPPLE	1
10	250219	BOLT	1	33	302726	HOSE	1
10	984645	WASHER	1	34	101915	TUBE	1
11	234964	BOLT	2	35	302727	HOSE	1
11	15006	NUT	2	36	101917	TUBE	1
11	15156	LOCKWASHER	2	37	124297	CLAMP	2
17	16696	CAPSCREW	2	37	19055	NUT	2
17	15156	LOCKWASHER	2	37	151550	SCREW	2
13	280456	SHACRET	1	38	63699	CAP-SAFETY	1
14	250709	PUMP-FUEL INJ	1	39	291958	SENDER-FUEL	1
15	271321	PIPE	1	40	111561	GASKET	1
16	271322	PIPE	1	41	220493	SCREW	5
17	167507	NUT	1	41	190887	SEAL	4
17	167508	SLEEVE	1	41	222082	WASHER-FLAT	1
17	133590	FITTING	1				
17	983346	BOLT	1				
19	132431	LOCKNUT	1				
18	981260	WASHER	1				

1 TOP
2 BOTTOM

FILTER-AIR

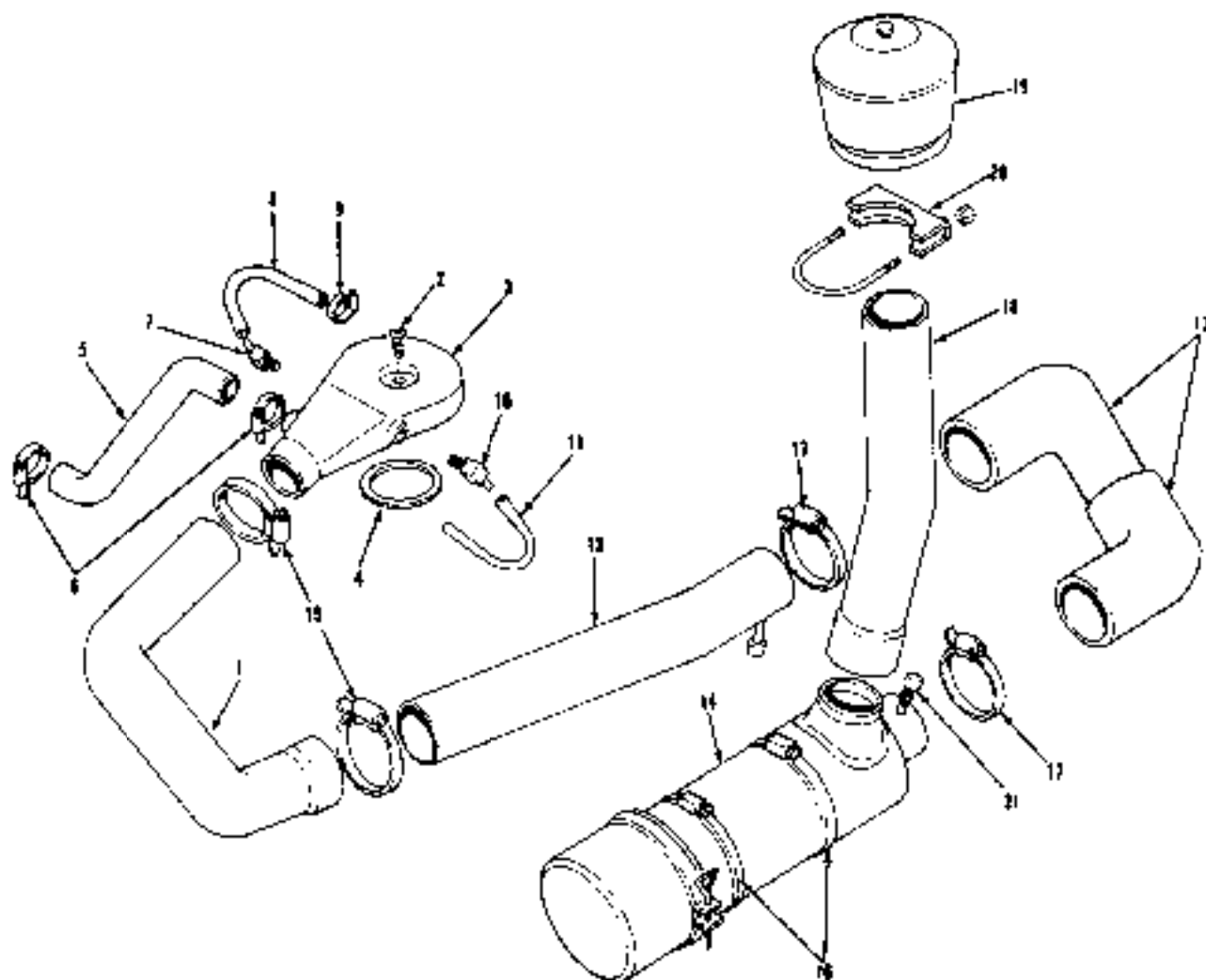
DIESEL



REF NO	HYSTER PART NO	NAME OF PART	QTY	REF NO	HYSTER PART NO	NAME OF PART	QTY
1	111105	DUCT-AIR INLET	1	7	290734	CLAMP	1
2	317367	ELBOW-INLET	1	7	290735	Baffle	1
3	317365	TUBE	1	8	112989	CLAMP	2
4	30372	CLAMP	1	9	162562	CLAMP	2
5	317366	BRACKET	1	10	115696	CLAMP	7
6	18202	CAPSCREW	2	11	17829	PLUG-FITTING	1
7	301571	FILTER-AIR	1	12	313916	TUBE	1
7	290732	ELEMENT	1	13	291974	FILTER-PRE	1
7	125847	NUT/GASKET	1	14	30375	CLAMP	1
7	321986	CUP	1				

FILTER-AIR

GASOLINE



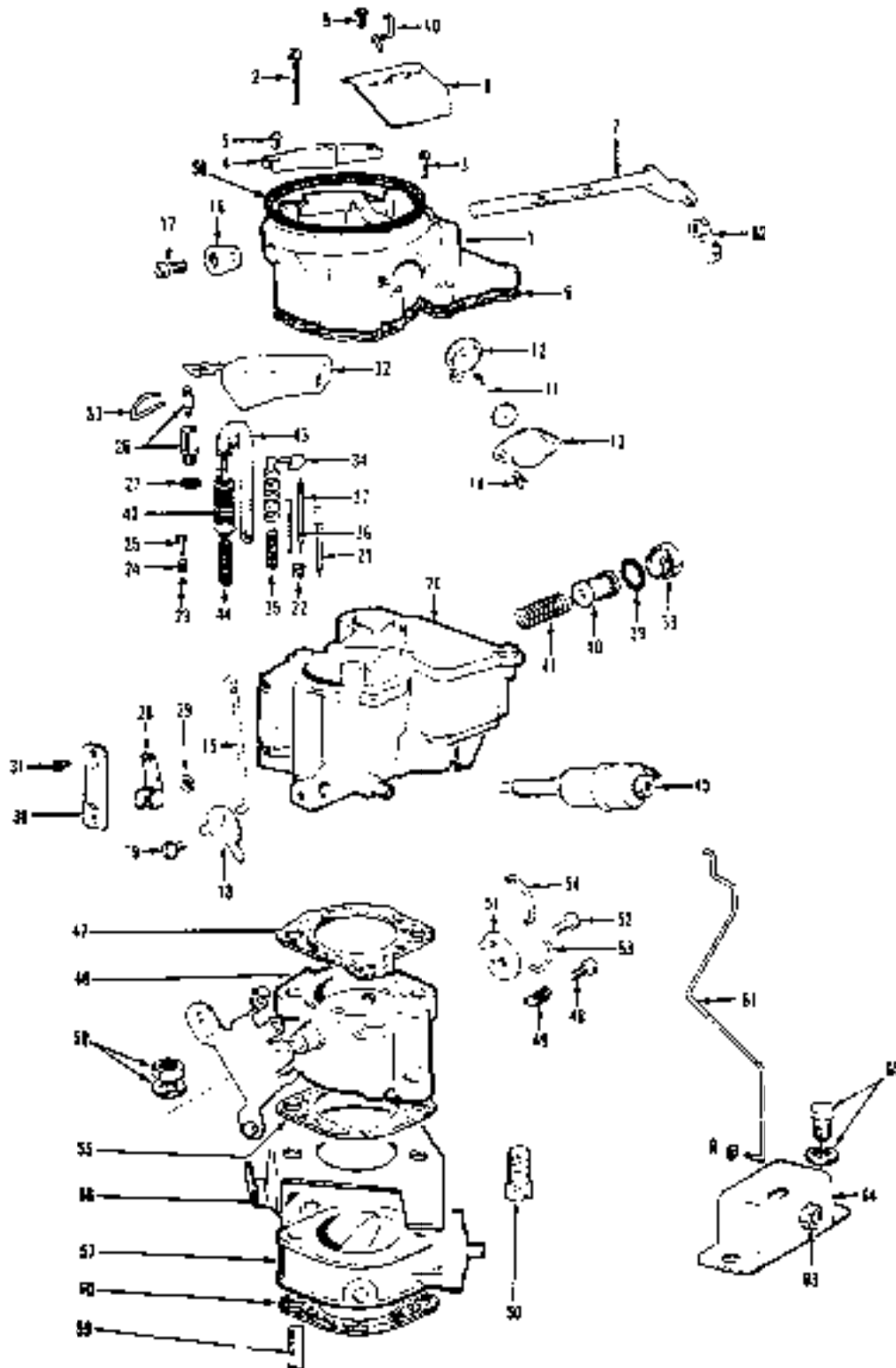
REF NO	HYSTER PART NO	NAME OF PART 1 2 3 4	QTY
1	296604	HOSE	1
2	271871	SCREW	1
3	271334	DUCT-AIR	1
4	275740	GASKET-CARD	1
5	271339	HOSE	1
6	127045	CLAMP	2
7	174374	FITTING	1
8	296605	HOSE	1
9	168718	CLAMP	1
10	222580	FITTING	1
11	193653	HOSE	1
12	117359	ELBOW-INLET	1
13	287004	TUBE	1
14	301571	FILTER-AIR	1

REF NO	HYSTER PART NO	NAME OF PART 1 2 3 4	QTY
14	290732	ELEMENT	1
14	125847	NUT/GASKET	1
14	321916	CUP	1
14	290734	CLAMP	1
14	290735	BAFFLE	1
15	112989	CLAMP	2
16	162582	CLAMP	2
17	115696	CLAMP	2
18	313916	TUBE	1
19	291974	FILTER-PRE	1
20	30375	CLAMP	1
21	17829	PLUG-FITTING	1

* SEE BULK HOSE CHART 2E14

CARBURETOR

GASOLINE



CARBURETOR

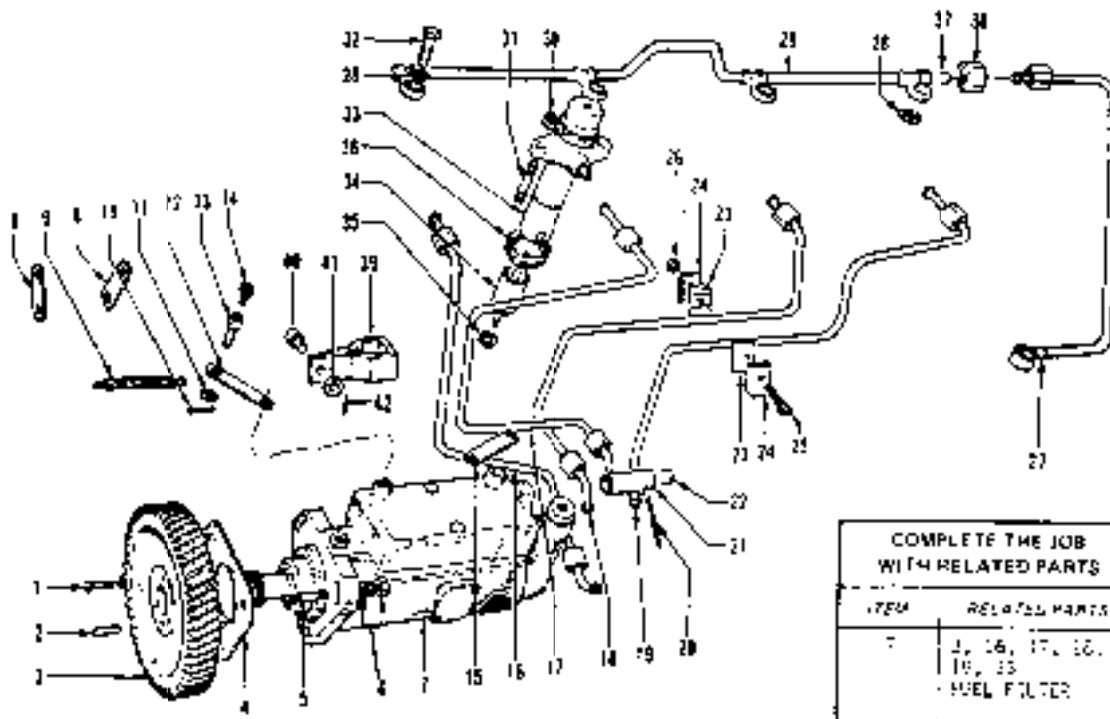
GASOLINE

REF NO	HYSTER PART NO	NAME OF PART 1 2 3 4	QTY	REF NO	HYSTER PART NO	NAME OF PART 1 2 3 4	QTY
	271862	CARBURETOR	1	38	*****	NUT	1
1	*****	HORN-AIR	1	39	** 265921	GASKET	1
2	*****	SCREW	1	40	275219	FILTER-FUEL	1
3	*****	SCREW	1	41	*****	SPRING	1
4	*****	BRACKET	1	42	* *****	PUMP	1
5	*****	SCREW	2	43	*****	LEVER	1
6	** *****	GASKET	1	44	* *****	SPRING	1
7	275260	SHAFT/LEVER	1	45	275240	SOLENOID	1
8	*****	VALVE-CHOKE	1	46	*****	BODY	1
9	*****	SCREW	2	47	** *****	GASKET	1
10	*****	LEVER	1	48	* 275187	NEEDLE-IDLE	1
11	275259	LINK/HEAD	1	49	*****	SPRING	1
12	* *****	DIAPHRAGM	1	50	*****	SCREW	2
13	*****	COVER	1	51	* *****	LEVER	1
14	*****	SCREW	2	52	*****	SCREW	1
15	172122	ROD-CHOKE	1	53	* *****	LINK	1
16	*****	LEVER	1	54	275240	LINK-PUMP LEVER	1
17	*****	SCREW	1	55	** 271858	GASKET	1
18	275263	CAM-FAST IDLE	1	56	275740	GASKET-CARB	1
19	172116	SCREW	1	57	321732	GOVERNOR	1
20	*****	BOWL-FLOAT	1	57	181764	LOCKWASHER	1
21	*****	TUBE	1	57	181765	PLUG	1
22	* *****	JET	1	58	15026	NUT-JAM	2
23	* *****	BALL	2	58	15920	LOCKWASHER	2
24	* *****	SPRING	1	59	175323	STUD	2
25	* *****	GUIDE	1	60	271861	GASKET	1
26	* *****	NEEDLE/SEAT	1	61	272150	ROD-AUTO CHOKE	1
27	** *****	GASKET	1	62	272128	CLIP	1
28	*****	COMPENSATOR	1	63	272181	THERMOSTAT	1
29	** *****	GASKET	1	64	272135	COVER	1
30	*****	COVER	1	65	16770	SCREW	1
31	*****	SCREW	2	65	15152	LOCKWASHER	1
32	*****	FLOAT	1	66	175118	BRACKET	1
33	*****	PIN	1				
34	*****	PISTON	1				
35	*****	SPRING	1				
36	* *****	R/D	1				
37	* *****	ROD/SPRINGS	1				

@ INCLUDED IN POWER LINKAGE KIT 275271
 * INCLUDED IN GASKET KIT 275188
 + INCLUDED IN OVERHAUL KIT 275274

INJECTION-FUEL

DIESEL



COMPLETE THE JOB WITH RELATED PARTS	
ITEM	RELATED PARTS
7	1, 16, 17, 18, 19, 25 FUEL FILTER

REF NO	HYSTER PART NO	NAME OF PART	QTY	REF NO	HYSTER PART NO	NAME OF PART	QTY
	301384	ENGINE	1	24	99780	PLATE	4
1	18818	CAPSCREW	3	25	16701	SCREW	2
1	15155	LOCKWASHER	3	26	132431	LOCKNUT	2
2	159105	BOWEL	1	27	271322	PIPE	1
3	161539	GEAR	1	27	152609	NUT	1
4	+ 982352	GASKET	1	27	152608	SLEEVE	1
5	161399	STUD	3	28	985567	WASHER	3
6	15005	NUT	3	29	229883	PIPE	1
6	992629	WASHER	3	30	15005	NUT	9
6	15155	LOCKWASHER	3	31	161592	STUD	8
7	250709	PUMP-FUEL (N)	1	32	983343	CAPSCREW	4
8	161540	BRACKET	2	33	167519	INJECTOR-FUEL	4
9	79852	SPRING	1	34	*****	HOLDER	4
9	168847	SPRING	1	34	167521	NOZZLE	4
10	15200	PIN-COTTER	1	35	99756	WASHER	4
11	15132	WASHER-FLAT	1	36	161541	SHIELD	4
12	134948	LEVER	1	37	55280	BALL	1
13	99786	PIN-STOP	1	38	16143	NUT	1
14	94631	SCREW	1	39	161541	FORK	1
15	158193	LEVER-THPUTTLE	1	40	161542	PIN	1
16	161543	PIPE-21	1	41	992628	WASHER	1
17	161544	PIPE-22	1	42	15200	PIN-COTTER	1
18	161545	PIPE-23	1				
19	161546	PIPE-24	1				
20	151316	WIRE-LOCK	1				
21	134958	SLEEVE	1				
22	151315	SEAL	1				
23	99779	DAMPER	4				

± INCLUDED IN TOP GASKET SET 328058

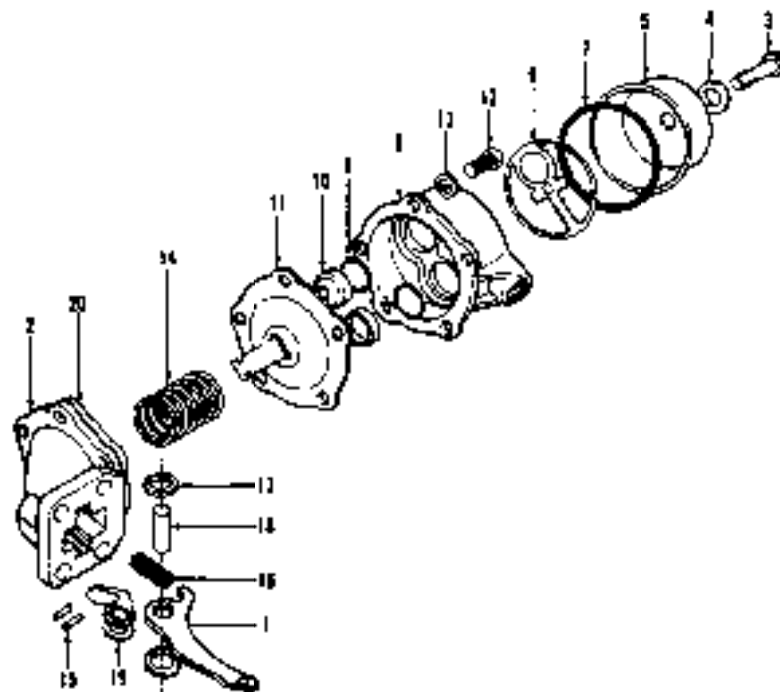
+ INCLUDED IN BOTTOM GASKET SET 168473

§ LONG

¶ SHORT

PUMP-LIFT

DIESEL

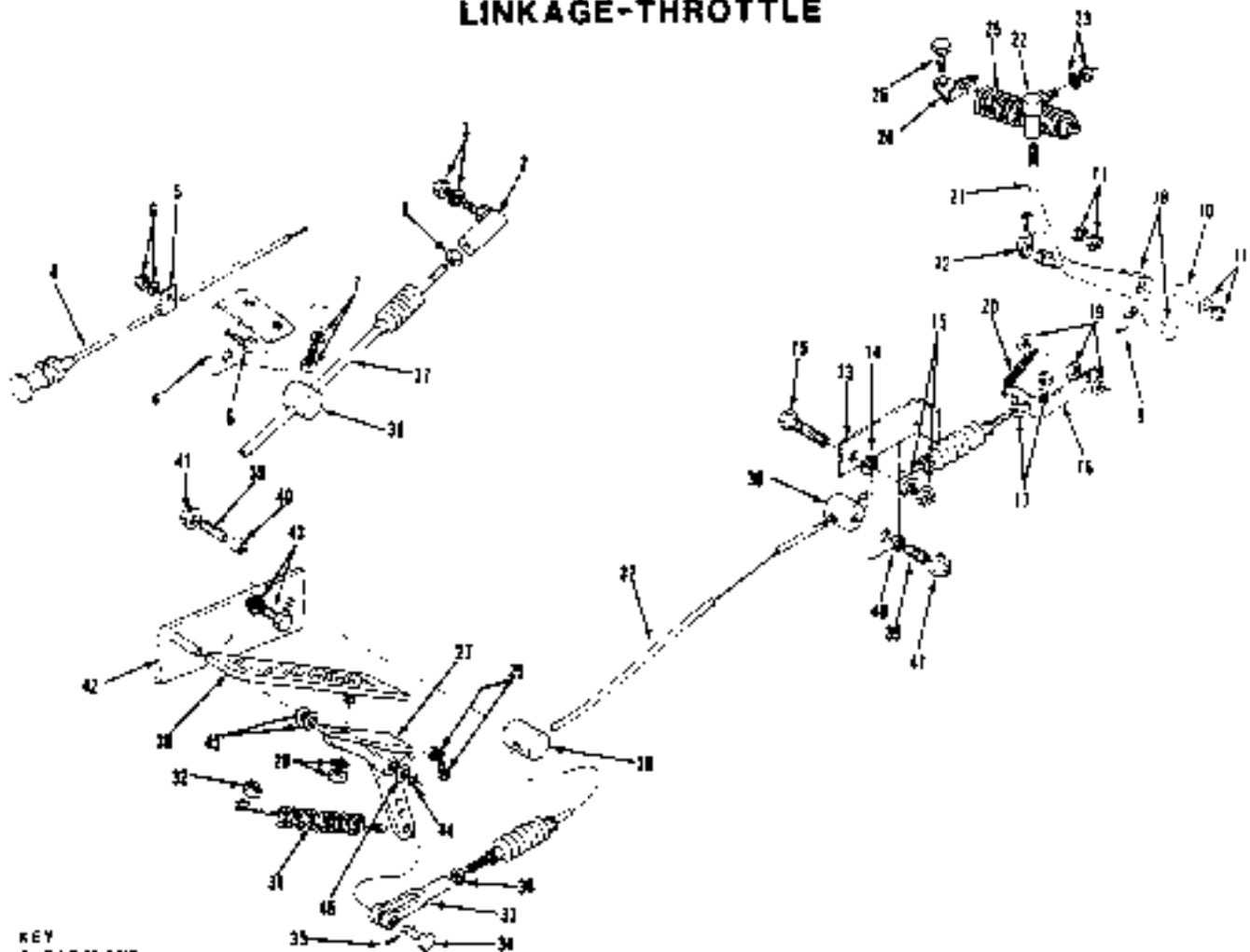


REF NO	HYSTER PART NO	NAME OF PART	QTY
	301384	ENGINE	1
	220879	PUMP-LIFT	1
1	*	ARM-ROCKER	1
2	*****	BODY	1
3	*****	SCREEN-HEAD	1
4	*****	WASHER	1
5	*****	COVER	1
6	*****	FILTER	1
7	*****	GASKET	1
8	*****	COVER/VALVES	1
9	*****	COVER	1
10	*	GASKET	2
		VALVE	1

REF NO	HYSTER PART NO	NAME OF PART	QTY
11	*	DIAPHRAGM	1
12	*****	SCREEN-COVER	5
13	*****	WASHER	5
14	*****	SPRING	1
15	*	PIN	2
16	*****	SPRING	1
17	*****	WASHER	2
18	*	PIN-ROCKER ARM	1
19	*****	LINK	1
20	*****	GASKET	1

* INCLUDED IN REPAIR KIT 986072 A

LINKAGE-THROTTLE



KEY
A-GASOLINE
B-DIESEL

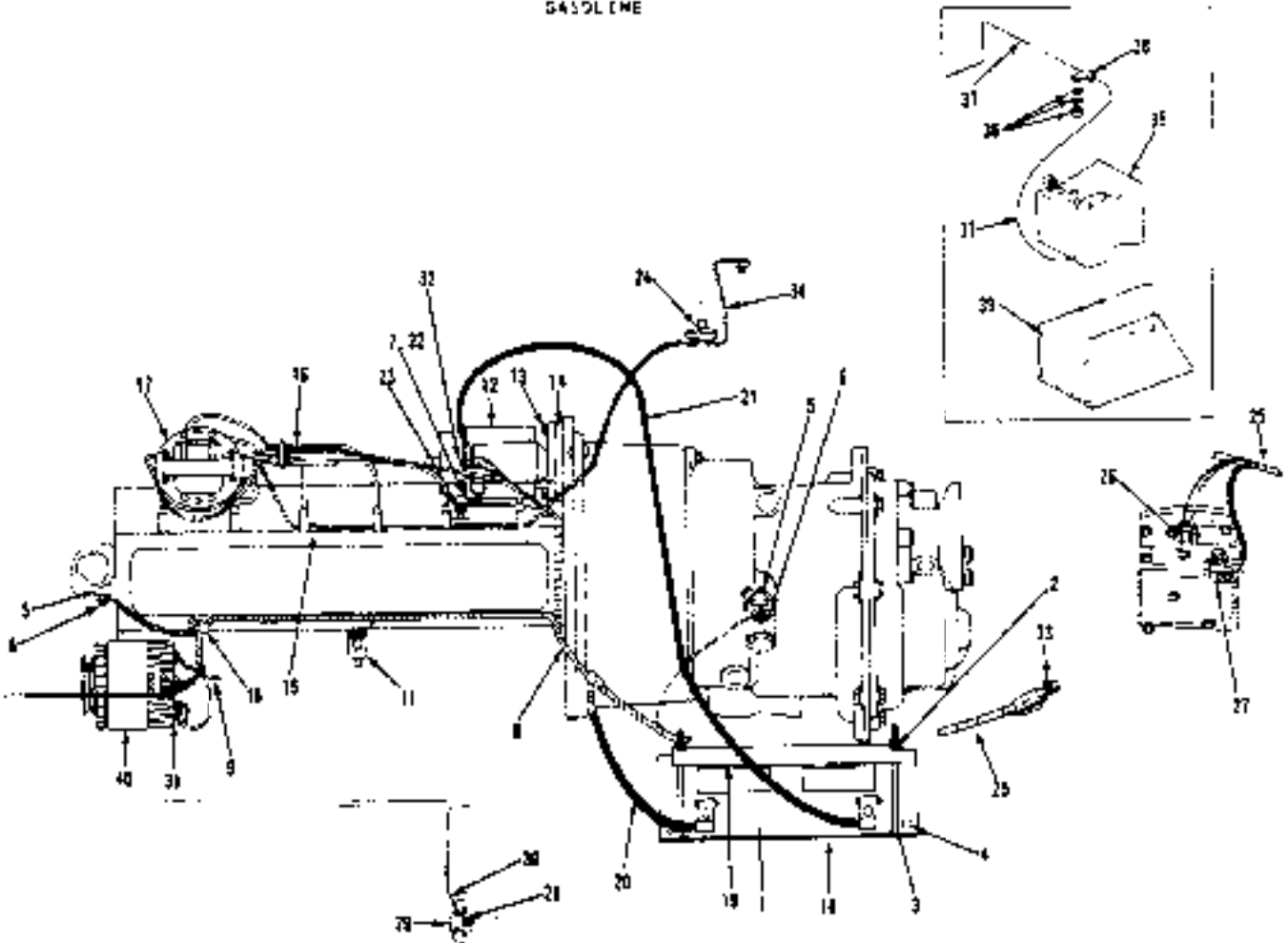
REF NO	HYSTER PART NO	NAME OF PART 1 2 3 4	QTY		REF NO	HYSTER PART NO	NAME OF PART 1 2 3 4	QTY	
			A	B				A	B
1	15024	NUT-JAM	1	1	22	303010	TUBE	1	1
2	139012	JOINT-BALL	1	1	23	15002	NUT	1	1
3	15004	NUT	1	1	23	15152	LOCKWASHER	1	1
4	19782T	BRACKET	1	1	24	284087	BRACKET	1	1
5	101569	CLAMP	1	1	25	276956	SPRING	1	1
6	18460	CAPSCREW	1	1	26	391263	CAPSCREW	1	1
7	15054	NUT	1	1	27	108812	LEVER-PEVAL	1	1
8	15134	LOCKWASHER	1	1	28	15154	LOCKWASHER	1	1
9	221452	CAPSCREW	2	2	28	15004	NUT	1	1
10	15134	LOCKWASHER	2	2	29	133469	CAPSCREW	1	1
11	129068	CONTROL-STOP	1	1	29	15134	LOCKWASHER	1	1
12	15200	PIN-COTTER	1	1	30	66978	PEVAL-THROTTLE	1	1
13	173711	PIN	1	1	31	144062	SPRING	1	1
14	58951	RING-SHAP	2	2	32	145641	NUT-LOCK	1	1
15	173712	WASHER	2	2	33	125	END-HOJ	1	1
16	171707	CLIP-CLEVELS	1	1	34	126	PIN	1	1
17	203976	BRACKET	1	1	35	15200	PIN-COTTER	1	1
18	13913	LOCKWASHER-STAR	1	1	36	15024	NUT-JAM	1	1
19	18513	CAPSCREW	1	1	37	278189	CABLE-PUSH-PULL	1	1
20	15155	LOCKWASHER	1	1	38	318504	CLAMP-PIVOT	2	2
21	15055	NUT	1	1	39	53169	SCREW	2	2
22	167220	PLATE	1	1	40	191748	SPACER	2	2
23	15024	NUT-JAM	2	2	41	191745	NUT	2	2
24	183587	LEVER	1	1	42	311819	BRACKET	1	1
25	167218	PIN	1	1	43	16836	CAPSCREW	2	2
26	15127	WASHER-FLAT	1	1	43	15156	LOCKWASHER	2	2
27	184364	SPRING	1	1	44	12897	RING-SHAP	1	1
28	275191	ADJ-CARBURETOR	1	1	45	15176	WASHER-FLAT	1	1

ELECTRICAL

ALTERNATOR.....1E08
DISTRIBUTOR.....1E09
ELECTRICAL DIESEL.....1E04
ELECTRICAL GASOLINE.....1E03
PANEL-INSTRUMENT.....1E05
STARTER DIESEL.....1E07
STARTER GASOLINE.....1E06

ELECTRICAL

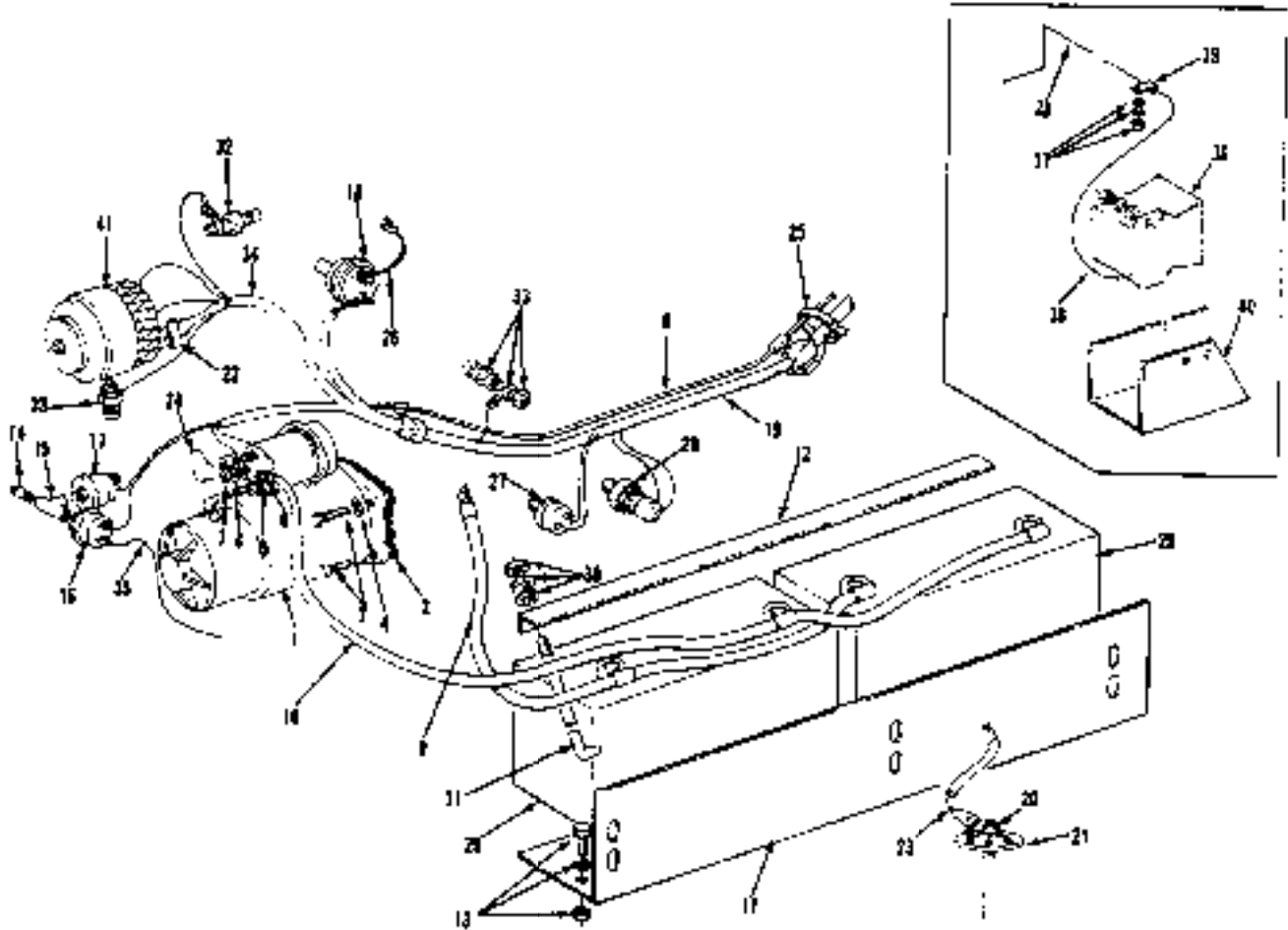
S450 LINE



REF NO	HYSTER PART NO	NAME OF PART	QTY	REF NO	HYSTER PART NO	NAME OF PART	QTY
1	177895	BATTERY-DRY	1	18	311892	PLATE-BATTERY	1
2	15155	LOCKWASHER	2	19	317368	PLATE-BATTERY	1
2	18518	WASHER-FLAT	2	20	189039	CABLE-NEG	1
7	15055	NUT	2	21	60362	CABLE-POS	1
7	317354	LINA	2	22	17801	FITTING-HIPPLE	1
4	16828	CAPSCREW	2	23	16168	COUPLER-FITTING	1
4	15156	LOCKWASHER	2	24	273738	SWITCH-VACUUM	1
4	15046	NUT	2	25	313921	HARNESS-WIRE	1
5	77328	SENDER-TEMP	2	26	299043	SWITCH-SAFETY	1
6	15007	NUT	2	27	276762	SWITCH-SAFETY	1
6	15911	LOCKWASHER-TAN	2	28	129887	RING	1
7	169776	SENDER-OIL	1	29	*****	SENDER-FUEL	1
8	103713	HARNESS-WIRE	1			SEE LOGS	
9	271507	WIRE	1	30	273508	WIRE	1
10	124297	CLAMP	1	31	157065	COVER	1
11	*****	SOLENOID-CAM	1	32	204223	COVER	1
		SEE 1007-1008		33	137852	CLAMP	1
12	*****	STARTER	1	34	273744	WIRE	1
		SEE 1E06		35	321492	ALARM	1
13	16176	CAPSCREW	3	36	15054	NUT	2
13	15156	LOCKWASHER	3	36	15156	LOCKWASHER	2
14	206127	ADAPTER	1	36	15127	WASHER-FLAT	2
25	221706	NUT	1	37	321491	WIRE	1
25	124297	CLAMP	1	37	321490	WIRE	1
15	272007	STUD	1	38	124297	CLAMP	1
16	285365	WIRE-PLUG	1	39	310960	SHIELD	1
17	*****	DISTRIBUTOR	1	40	*****	ALTERNATOR	1
		SEE 1E09				SEE 1E08	

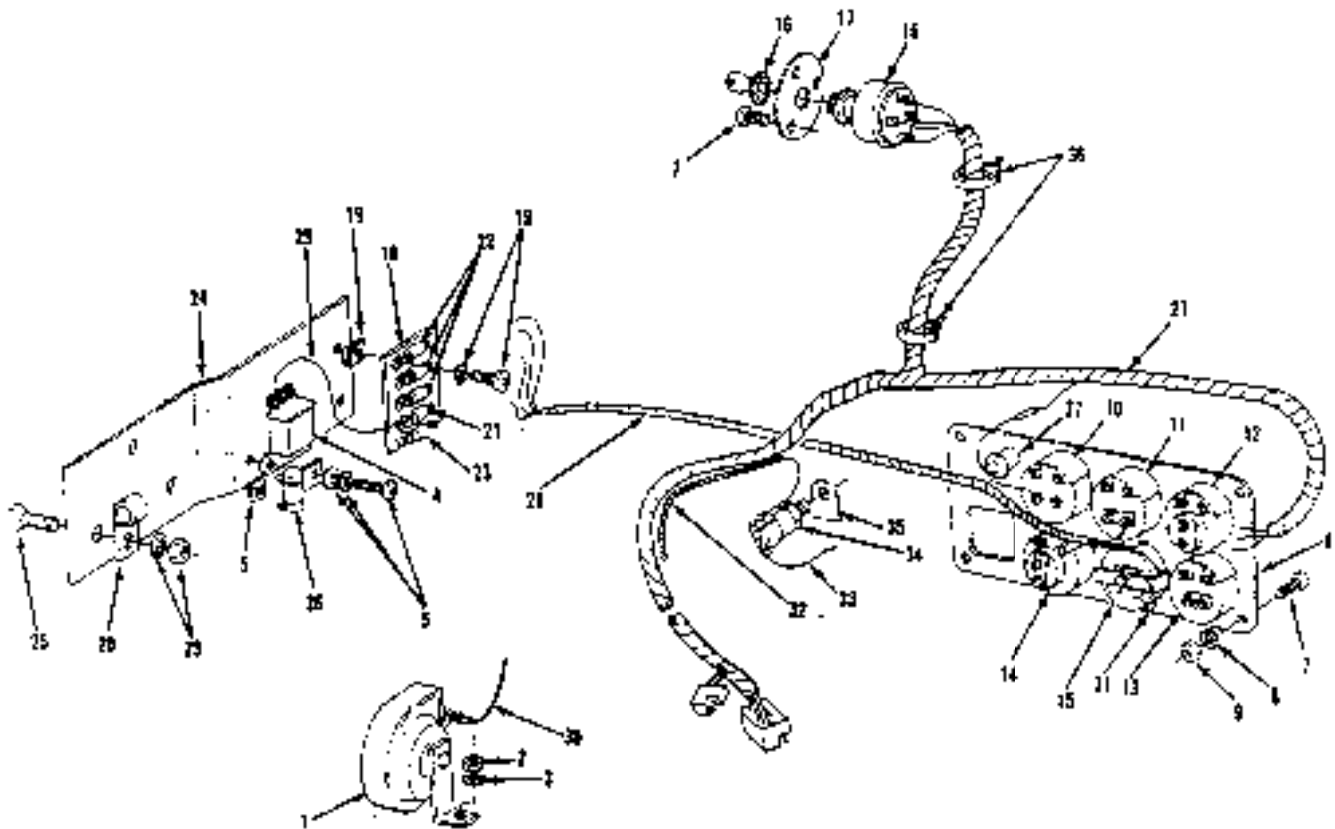
ELECTRICAL

DIESEL



KEY NO	HYSTER PART NO	NAME OF PART 1 2 3 4	QTY	REF NO	HYSTER PART NO	NAME OF PART 1 2 3 4	QTY
1	*****	STARTER SEE 1002	1	24	204223	COVER	1
2	412632	GASKET	1	25	137852	CLAMP	4R
3	16832	CAPSCREW	3	26	273744	WIRE	1
4	15106	LOCKWASHER	4	27	299843	SWITCH-SAFETY	1
5	15030	NUT	2	28	276762	SWITCH-SAFETY	1
6	15163	LOCKWASHER	2	29	177805	BATTERY-DRY	2
7	15086	NUT-JAM	1	30	15155	LOCKWASHER	3
8	301399	WIRE	1	30	18515	WASHER-FLAT	3
9	313901	CABLE-MEG	1	30	15055	NUT	3
10	313902	CABLE-POS	1	31	717354	LINK	1
11	311885	PLATE-BATTERY	1	32	*****	HEATER SEE 1003	1
12	317353	PLATE-BATTERY	1	33	717328	SENDER-TEMP	2
13	16829	CAPSCREW	2	33	15002	NUT	2
14	15156	LOCKWASHER	2	33	15911	LOCKWASHER-STAR	2
15	15056	NUT	2	34	301900	HARNES-WIRE	1
16	17801	FITTING-NIPPLE	1	35	158301	WIRE	1
17	12838	FITTING-TEE	1	36	321492	ALARM	1
18	30983	SWITCH-OIL	1	37	15054	NUT	2
19	169776	SENDER-OIL	1	37	15154	LOCKWASHER	2
20	310961	SWITCH-VACUUM	1	37	15177	WASHER-FLAT	2
21	313921	HARNES-WIRE	1	38	321490	WIRE	1
22	129887	RING	1	38	321491	WIRE	1
23	*****	SENDER-FUEL SEE 1004	1	39	124297	CLAMP	1
24	157065	COVER	1	40	310960	SHIELD	1
25	273508	WIRE	1	41	*****	ALTERNATOR SEE 1E03	1

PANEL-INSTRUMENT



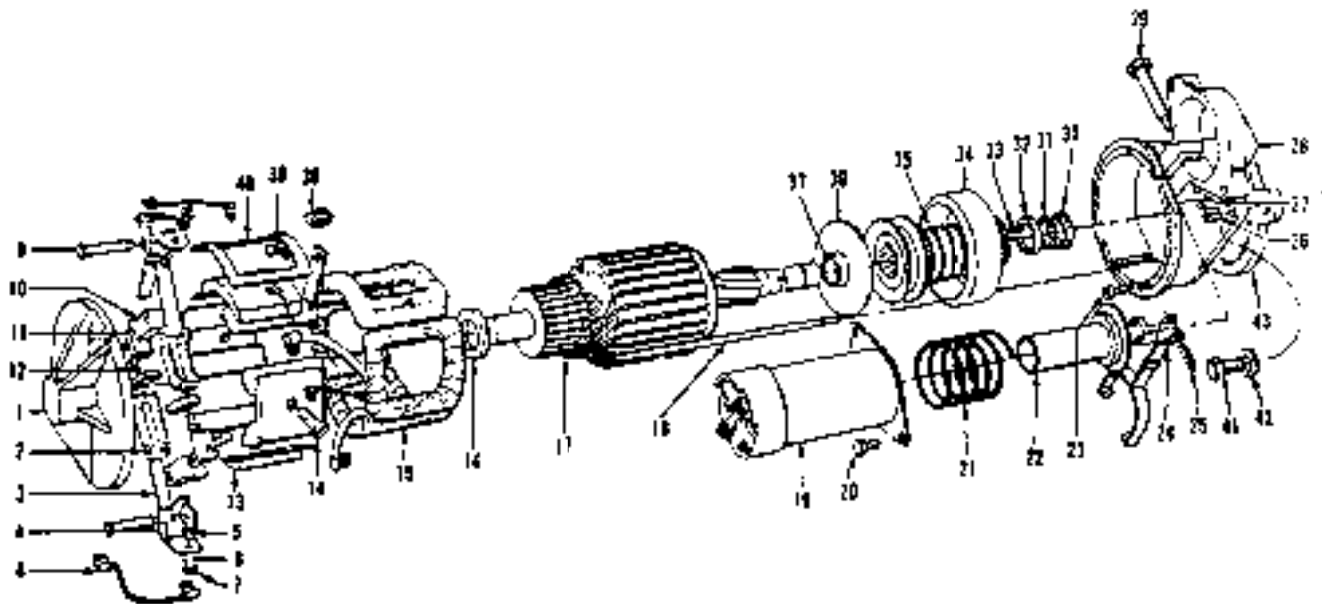
REF NO	HYSTER PART NO	NAME OF PART	QTY
1	126164	HORN	1
2	15055	NUT	1
3	15153	LOCKWASHER	1
4	329722	RELAY-HORN	1
5	16702	SCREW	2
5	197066	WASHER-FLAT	2
5	16761	LOCKWASHER	2
5	247426	NUT	2
6	313920	PLATE	1
7	285078	SCREW	7
8	16743	LOCKWASHER	13
9	15049	NUT	13
10	193327	GAUGE-VOLTMETER	1
11	169759	GAUGE-OIL PRESS	1
12	169779	GAUGE-WFR TEMP	1
13	169775	GAUGE-FUEL	1
14	169781	GAUGE-OIL TEMP	1
15	275048	METER-MIUK	1
16	272041	SWITCH-IGNITION	1
17	247528	PLATE	1
18	273500	BLOCK-FUSE	1
19	16702	SCREW	2
19	15763	LOCKWASHER	2
19	247426	NUT	2
20	126408	CLAMP	3

REF NO	HYSTER PART NO	NAME OF PART	QTY
21	53124	FUSE-10 AMP	1
22	53123	FUSE-5 AMP	3
23	53126	FUSE-30 AMP	1
24	247199	BRACKET	1
25	16597	CAPSCREW	2
25	15156	LOCKWASHER	2
25	15056	NUT	2
26	155970	RESISTOR	1
27	303712	HARNES-WIRE	1
28	273503	HARNES-WIRE	1
29	335856	WIRE	1
30	335860	WIRE	1
31	* 239230	WIRE	1
32	* 301398	WIRE	1
33	* 301396	WIRE	1
34	* 98541	SWITCH-HEATER	1
35	* 192835	BEZEL-HEAT	1
36	* 137852	CLAMP	6
37	198725	LAMP-INDICATOR	1
37	129887	RING	1
37	129892	FITTING	1

* GASOLINE
* DIESEL

STARTER

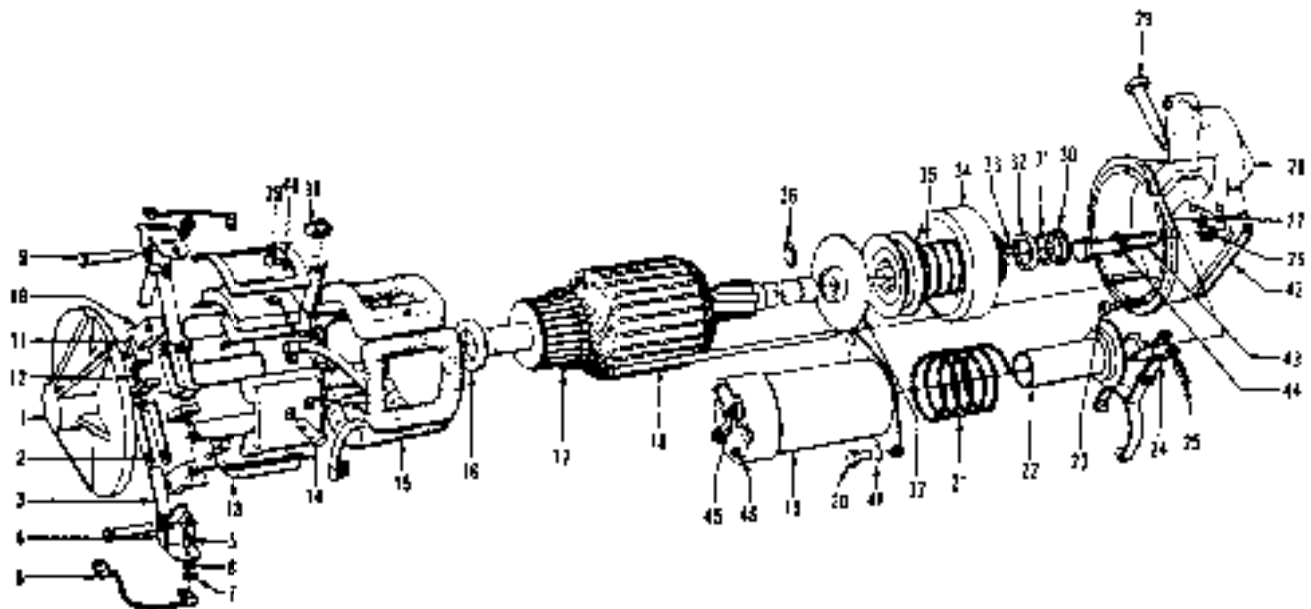
GASOLINE



REF NO	HYSTER PART NO	NAME OF PART	QTY	REF NO	HYSTER PART NO	NAME OF PART	QTY
	282606	STARTER	1	23	55972	WASHER	2
1	280917	FRAME-CS	1	24	130676	LEVER-SHIFT	1
2	88572	HOLDER-BRUSH	2	25	280919	PIN-SLOTTED	1
3	236069	SPRING	2	26	15055	NUT	1
4	236070	KEY-SHACKET	2	27	15155	LOCKWASHER	1
5	166825	SCREW	2	28	98392	HOUSING-DR	1
6	173217	WIRE	1	28	55505	BUSHING-45&5 O.D.	3
7	128430	NUT	2	28	15314	PLUG	3
8	15152	LOCKWASHER	2	29	236078	STUD	3
9	184508	PIN	1	30	137698	WASHER	1
10	236068	HOLDER-BRUSH	2	31	236081	RING-RETAINER	1
11	370607	BRUSH	4	32	236082	COLLAR	1
12	168928	SCREW	2	33	55494	PIN	3
13	164510	SHOE-POLE	4	34	79880	DRIVE	1
14	168665	SCREW	4	35	236074	SPRING	3
15	288915	COTL-FIBED	1	36	55960	PLATE	1
16	55901	WASHER	1	37	280952	BUSHING	1
17	236084	ARMATURE	1	37	55078	WASHER	1
18	88567	BOLT	2	38	288916	GROMMET	1
19	132728	SWITCH-SOLENOID	1	39	164509	SCREW	1
20	16849	SCREW	2	40	133837	INSULATOR	1
21	236074	SPRING	3	41	16374	CAPSCREW	3
22	236075	PLUNGER	3	42	15156	LOCKWASHER	3
22	173218	COVER	1	43	206127	ADAPTER	1
23	15712	SCREW	2				

STARTER

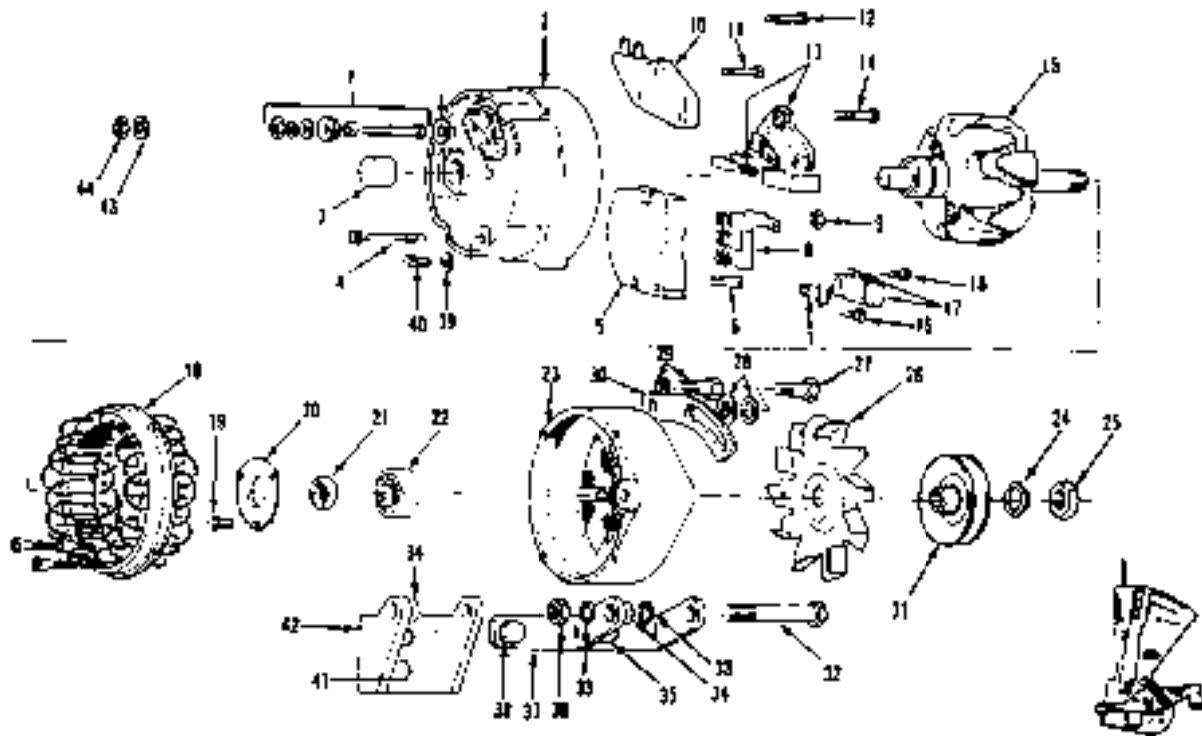
DIESEL



REF NO	HYSTER PART NO	NAME OF PART	QTY
	136125	STARTER	1
1	97344	FRAME-DE	1
2	85965	BUSHING	1
3	88972	HOLDER-BRUSH	2
4	236069	SPRING	2
5	236070	CLT-BRACKET	2
6	166825	SCREW	2
7	173267	WIRE	1
8	173436	NUT	2
9	15152	LOCKWASHER	2
10	164508	PIN	1
11	236068	HOLDER-BRUSH	2
12	97145	BRUSH	4
13	86984	SCREW/LKNSHR	2
14	227078	SCREW	2
15	167009	SHOE-POLE	4
16	188665	SCREW	8
17	97359	COIL-FIELD	1
18	55901	WASHER	1
19	97358	ARMATURE	1
20	97363	BOLT	2
21	132728	SWITCH-SOLENOID	1
22	169308	SCREW	2
23	236074	SPRING	1
24	236075	PUNDRER	1
25	123672	COVER	1
26	133720	SCREW	2
27	55972	WASHER	2
28	130676	LEVER-SHIFT	1
29	19869	PIN-SLOTTED	1

REF NO	HYSTER PART NO	NAME OF PART	QTY
26	15055	NUT	1
27	97353	WASHER	1
28	137699	HOUSING-DE	1
29	55585	BUSHING-5x5 20	2
30	236078	STUD	1
31	137698	WASHER	1
32	236081	RING-RETAINER	1
33	236082	COLLAR	1
34	55894	PIN	1
35	280501	DRIVE	1
36	166337	BUSHING	1
37	166336	SPRING	1
38	166479	WIRE-LOCK	1
39	123675	PLATE	1
40	88035	SEAL-OIL	1
41	131173	GASKET	1
42	131172	BUSHING	1
43	55978	WASHER	1
44	167018	GRUNNER	1
45	164509	SCREW	1
46	15916	LOCKWASHER	1
47	15154	LOCKWASHER	2
48	112632	GASKET	1
49	16828	CAPSCREW	3
50	15154	LOCKWASHER	3
51	15039	NUT	2
52	15163	LOCKWASHER	2
53	15086	NUT-JAN	1
54	15156	LOCKWASHER	1

ALTERNATOR

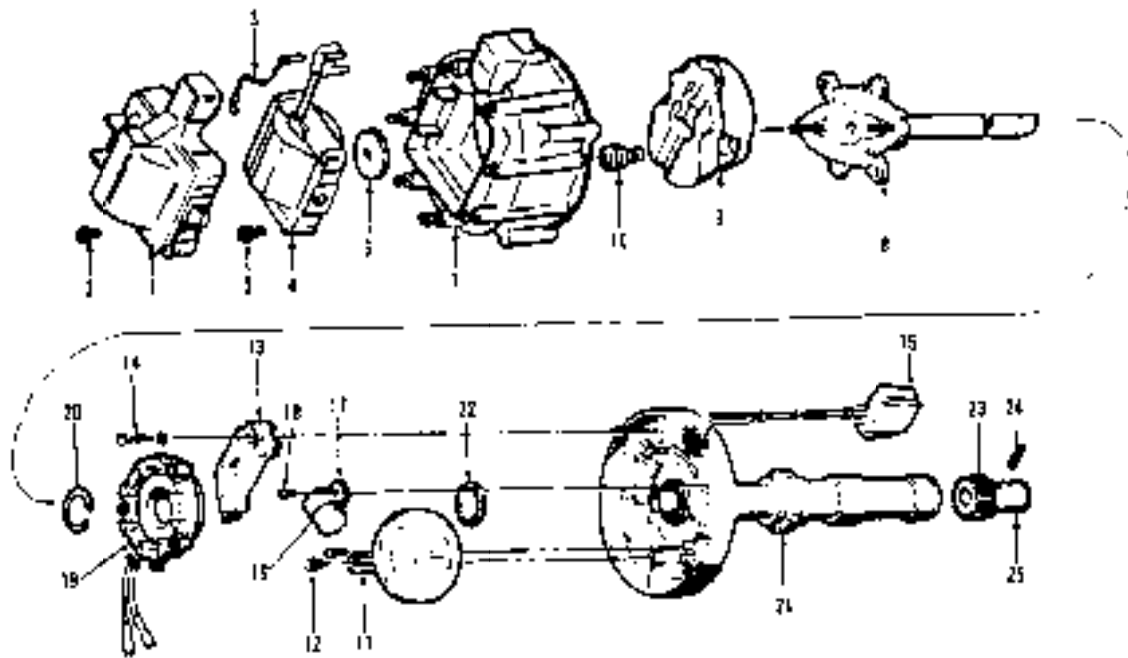

 BELT TENSION GAUGE
 PART NO 184529

 KEY
 * GASOLINE
 B-DIESEL

REF NO	HYSTER PART NO	NAME OF PART 1 2 3 4	QTY		REF NO	HYSTER PART NO	NAME OF PART 1 2 3 4	QTY	
			A	B				A	B
	322179	ALTERNATOR	1	1	28	15175	WASHER-FLAT	1	**
1	310081	M/T-BATE TERM	1	1	28	15913	LOCKWASHER-SERR	**	1
7	310085	FRAME-SRE	1	1	28	15155	LOCKWASHER	1	**
3	290506	BEARING	1	1	29	16597	CAPSCREW	1	**
4	128852	BOLT	4	4	29	16606	CAPSCREW	**	1
5	271845	RECTOR	1	1	29	15156	LOCKWASHER	1	1
6	268358	SCREW	1	1	30	158321	LEVER	1	**
7	290301	TERMINAL-RELAY	1	1	30	168899	LEVER	**	1
8	223095	DIODE-TRIC	1	1	31	208483	PULLEY	1	**
9	15039	NUT	3	3	31	146689	WILLET	**	3
10	290303	REGULATOR	1	1	32	18568	CAPSCREW	1	**
11	290309	SCREW	1	1	32	17231	CAPSCREW	**	1
12	290310	SCREW	1	1	33	261379	WASHER	2	**
13	290300	BRUSH/HOLDER	1	1	34	305100	SLEEVE-METRIC	1	1
13	*****	BRUSH	2	2	35	16805	CAPSCREW	1	**
14	268356	SCREW	2	2	35	15156	LOCKWASHER	1	**
15	223090	ROTOR	1	1	36	139743	LOCKNUT	1	1
16	198410	SCREW	2	2	37	179920	BRACKET	1	**
17	198401	CAPACITOR	1	1	38	14828	CAPSCREW	1	**
17	198432	BRACKET	1	1	38	15156	LOCKWASHER	1	**
18	289348	STATOR	1	1	39	15155	LOCKWASHER	1	1
19	344734	SCREW	3	3	40	136681	CAPSCREW-METRIC	1	1
20	128831	RETAINER	1	1	41	* 168898	STUD	**	2
21	310088	COLLAR	1	1	41	* 15006	NUT	**	2
22	290509	BEARING	1	1	41	* 15156	LOCKWASHER	**	2
23	310087	FRAME-DE	1	1	42	* 168895	BRACKET	**	1
24	128835	WASHER	1	1	43	15915	LOCKWASHER	1	1
25	55580	NUT	1	1	44	136687	NUT-METRIC	1	1
26	126358	FAN	1	1					
27	136749	CAPSCREW-METRIC	1	1					

* INCLUDED WITH 301384 ENGINE


DISTRIBUTOR



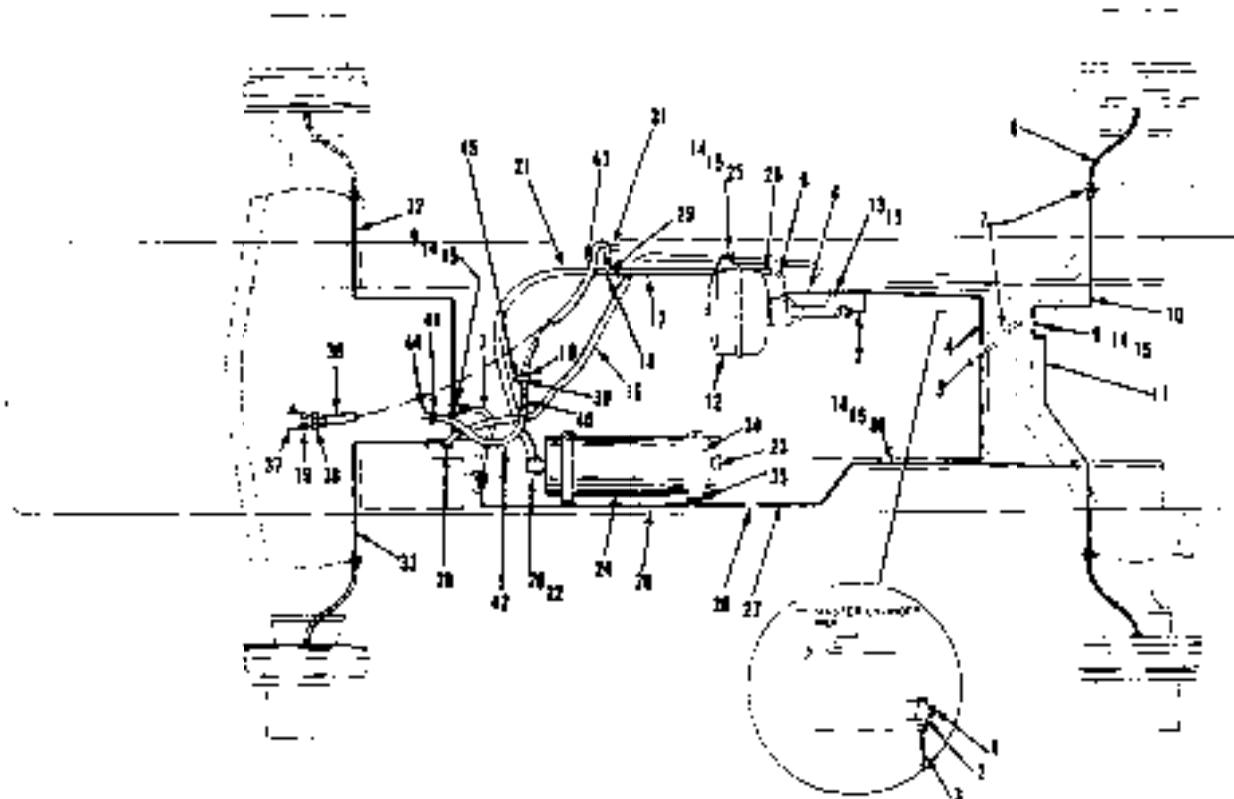
REF NO	HYSTER PART NO	NAME OF PART	QTY	REF NO	HYSTER PART NO	NAME OF PART	QTY
	309301	ENGINE	1	13	271496	MODULE	1
	280330	DISTRIBUTOR	1	14	271497	SCREW/LKWSHR	2
1	280331	COVER-DISTR	1	15	280335	HARNES-WIRE	1
2	274304	SCREW	2	16	*****	CAPACITOR	1
3	280332	STRAP-SRING	1	17	198402	BRACKET	1
4	274366	GULC	1	18	271666	SCREW/LKWSHR	1
5	274367	SCREW/WASHER	4	19	271667	PIECE-POLE	1
6	274368	SEAL	1	20	271668	RING-RETAINER	1
7	280333	CAP-DISTRIBUTOR	1	21	280336	BASE	1
7	274370	BRUSH-RESISTOR	1	22	166216	SEAL	1
8	280334	SHAFT	1	23	140965	GEAR	1
9	281846	ROTOR	1	24	19800	PIN	1
10	271494	SCREW/WASHER	2	25	281842	SHAFT	1
11	271495	BRACKET	1	25	281843	PIN-LOWER SHAFT	1
12	220302	SCREW	2				

BRAKES/LINKAGE

ACTUATOR-BRAKE.....1F04
BRAKE-PARK.....1F05
BRAKES.....1F07
CYLINDER-MASTER.....1F04
EXHAUSTER.....1F08
HYDROVAC.....1F04
PIPES-BRAKE/HYDROVAC.....1F03



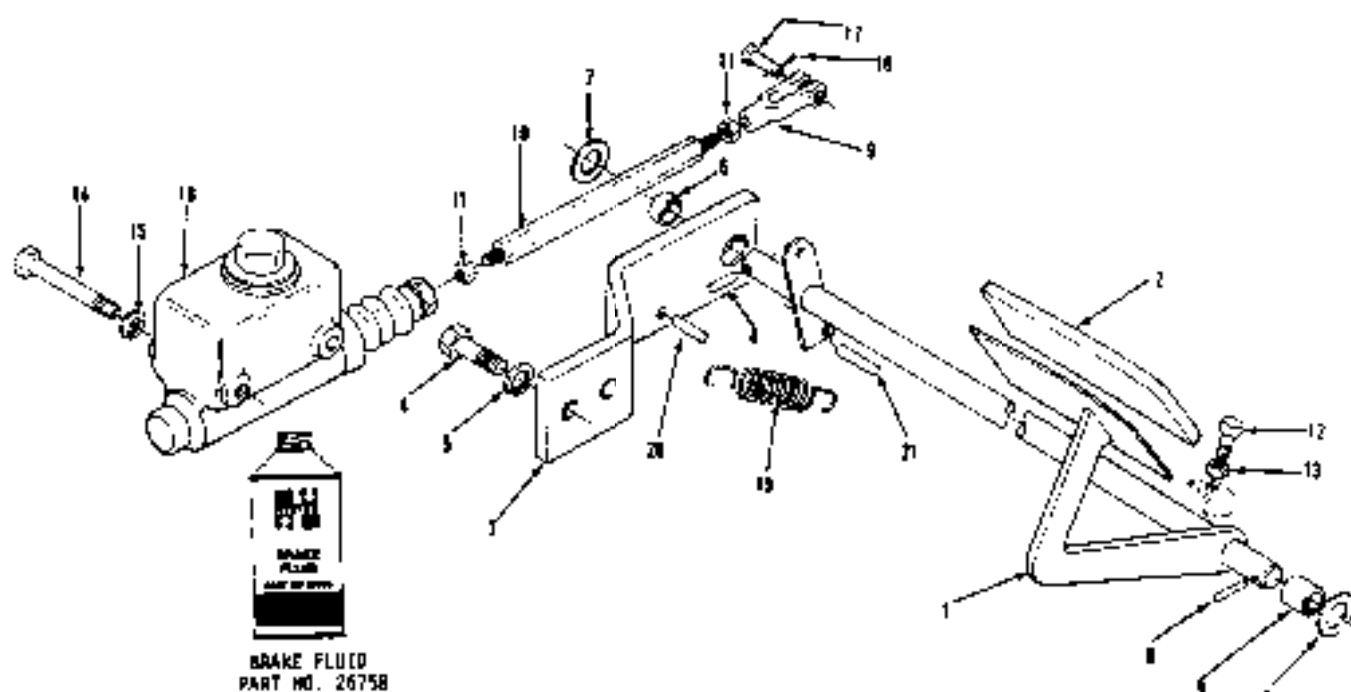
PIPES-BRAKE/HYDROVAC



REF NO	HYSTER PART NO	NAME OF PART	QTY	REF NO	HYSTER PART NO	NAME OF PART				QTY
						1	2	3	4	
1	29987	BOLT	1	23	15303	PLUG				1
1	29582	GASKET	1	24	13741	TANK-VACUUM				1
1	24042	GASKET	1	25	15176	JACKER-CLAMP				2
2	139054	FITTING	2	26	299754	TUBE				1
2	78029	PCU	1	27	273066	TUBE				1
3	273134	TUBE	1	28	16154	FITTING				1
4	273137	TUBE	1	29	16150	FITTING-NIPPLE				1
5	16196	FITTING	1	30	124359	CLAMP				1
5	273060	TUBE	1	31	298132	CLAMP				1
6	273732	TUBE	1	32	299755	TUBE				1
7	273061	HOSE	1	33	299754	TUBE				1
7	29344	GASKET	4	34	73491	KIT-MOUNT				1
7	15030	NUT-JAP	6	35	15154	LOCKWASHER				4
8	16194	GUARD-PLY	8	35	15054	NUT				4
9	273062	FITTING	2	36	88655	HOSE				1
10	273063	TUBE	1	37	17745	ELBOW-FITTING				1
11	273064	TUBE	1	38	17302	FITTING				1
12	*****	HYDROVAC SEE 3FDU	1	39	279033	CLAMP				1
13	16805	CAPSCREW	1	40	17345	FITTING				1
14	15056	NUT	5	41	130845	CLAMP				1
15	15156	LOCKWASHER	6	42	321484	HOSE				1
16	273733	HOSE	1	43	326099	HOSE				1
17	321483	HOSE	1	44	102890	FITTING				1
18	298133	FITTING	1	45	16554	CAPSCREW				1
19	54844	VALVE-CHECK	1	45	15157	LOCKWASHER				1
20	130845	CLAMP	5							
21	272976	HOSE	1							
22	17374	FITTING	1							

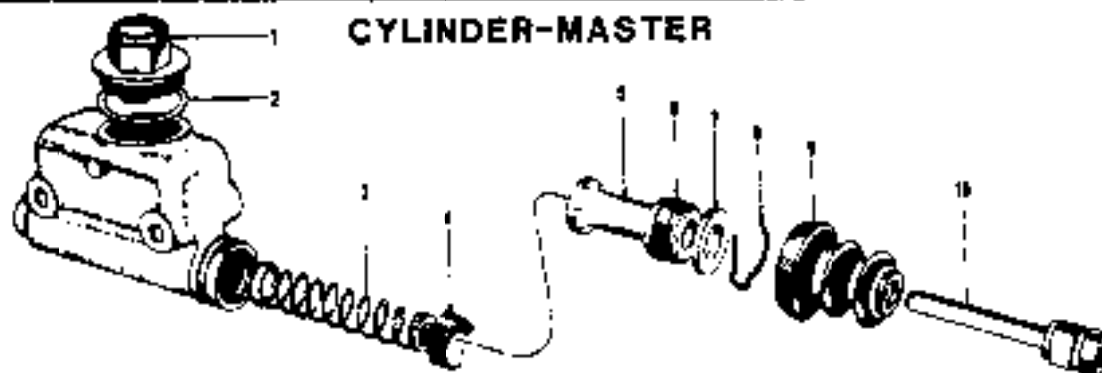
* DIESEL
 + GASOLINE
 2 SEE BULK HOSE CHART 7024

ACTUATOR-BRAKE



REF NO	HYSTER PART NO	NAME OF PART				QTY	REF NO	HYSTER PART NO	NAME OF PART				QTY
		1	2	3	4				1	2	3	4	
1	311831	1				1	12	16805					1
2	137051		1			1	13	19056					1
3	311835			1		1	14	18547					1
4	18623				1	2	15	15156					2
5	15162				2	2	16	15223					1
6	106223				2	2	17	153					1
7	13153				48	18	----						1
8	226972				2								
9	156622				1	19	236992						1
10	311828				1	20	16065						1
11	15027				2	21	16066						1

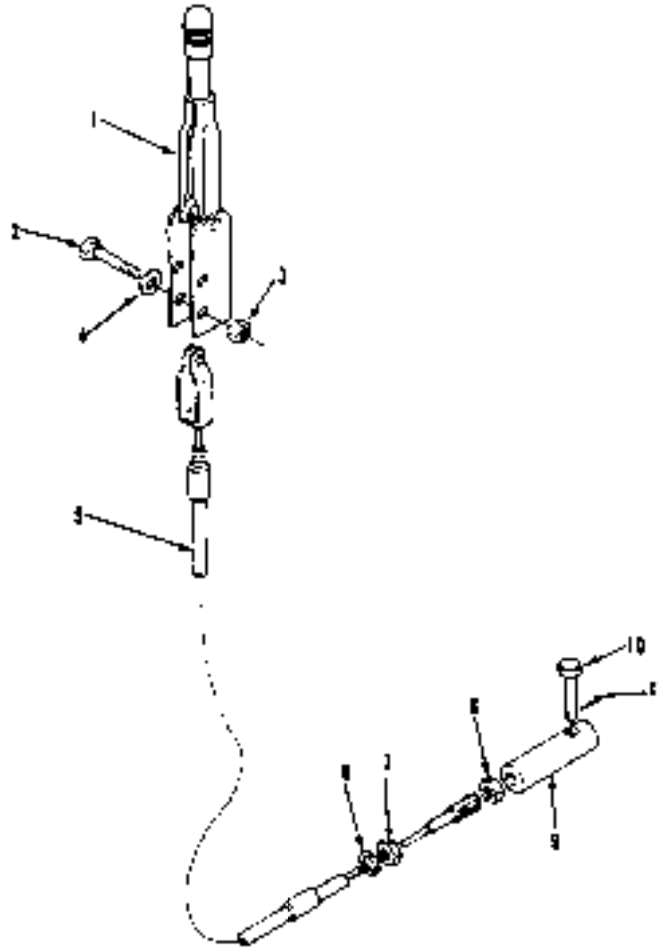
CYLINDER-MASTER



REF NO	HYSTER PART NO	NAME OF PART				QTY	REF NO	HYSTER PART NO	NAME OF PART				QTY
		1	2	3	4				1	2	3	4	
	127241	1				1	7	-----					1
1	236213					1	8	* -----					1
2	54659					1	9	* 101053					1
3	-----					1	10	-----					1
4	-----					1							
5	-----					1							
6	* -----					1							

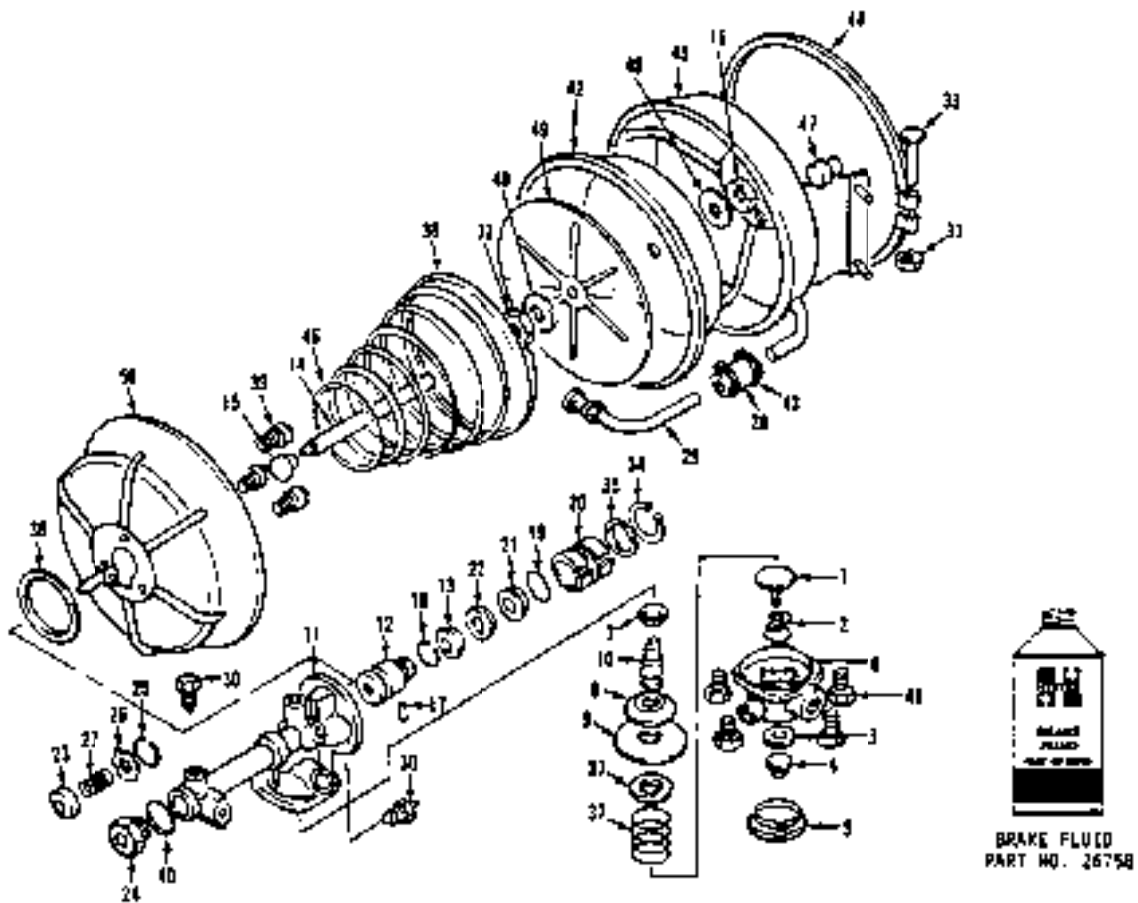
* INCLUDED IN REPAIR KIT L11482

BRAKE-PARK



REF NO	HYSTER PART NO	NAME OF PART				QTY	REF NO	HYSTER PART NO	NAME OF PART				QTY
		1	2	3	4				1	2	3	4	
1	311910	LEVER-BRAKE				1	7	15027	NUT-JAM				1
2	18509	CAPSCREW				2	8	15157	LOCKWASHER				1
3	15059	NUT				2	9	303707	END-NUT				1
4	15159	LOCKWASHER				2	10	142	PIV				1
5	306331	CABLE-BRAKE				1	11	15212	PIN-COCKER				1
6	15026	NUT-JAM				1							

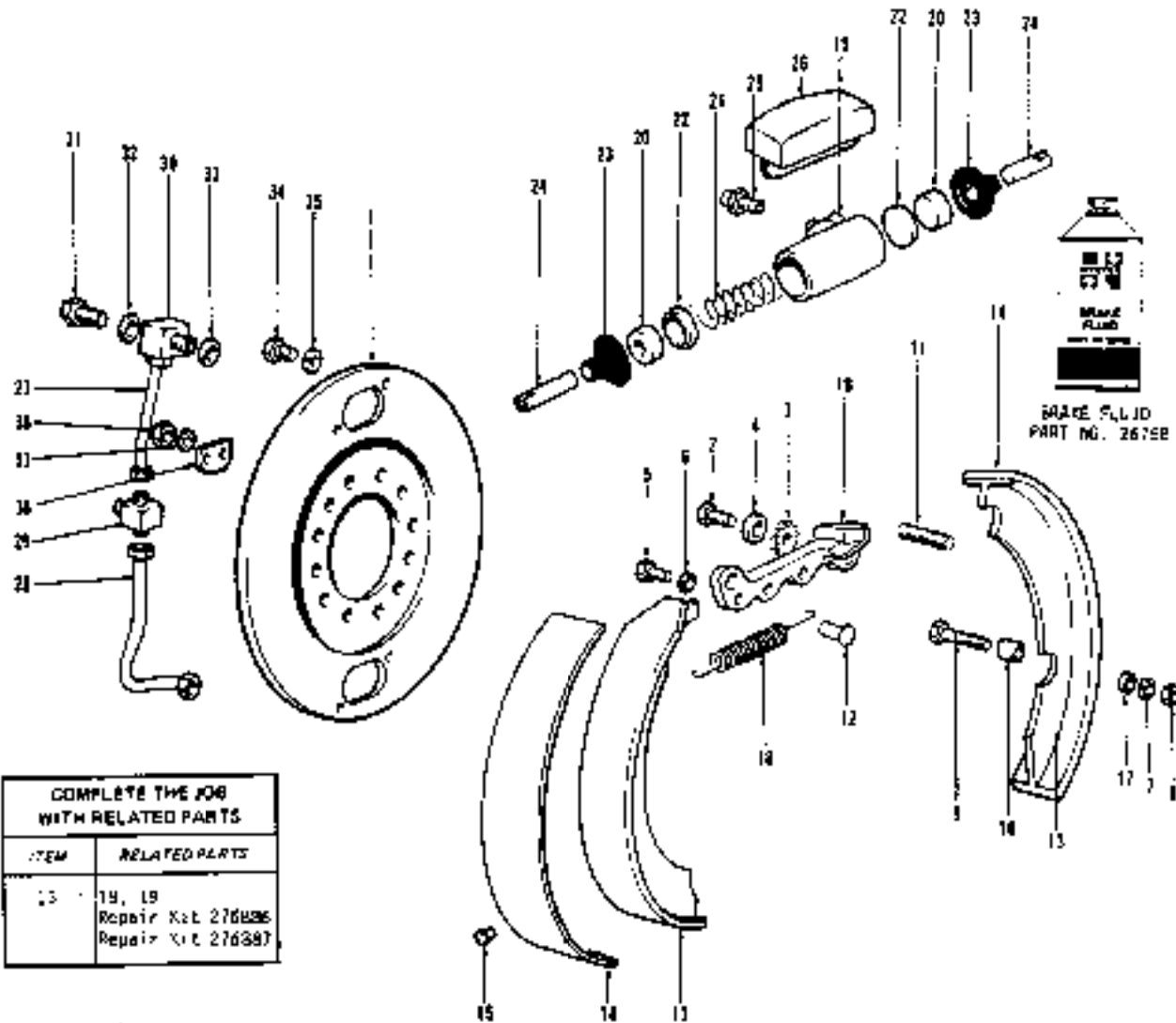
HYDROVAC



REF NO	HYSTER PART NO	NAME OF PART	QTY	REF NO	HYSTER PART NO	NAME OF PART	QTY
	272963	HYDROVAC	1	26	276501	WASHER-FITTING	1
1	276476	STEM-VALVE	1	27	276502	SPRING	1
2	276477	SPRING-POPPET	1	28	276503	HOSE	1
3	*****	VALVE-SEAL	1	29	276505	TUBE	1
4	*****	RETAINER	1	30	54791	VALVE-BLEEDER	1
5	276480	CONE	1	31	15304	NUT	3
6	276481	BODY-VALVE	1	32	15327	NUT-JAM	1
7	276482	CUP/DIAPHRAGM	1	33	276509	SCREW	1
8	*****	RETAINER	1	34	276510	RING-RETAINER	1
9	*****	DIAPHRAGM	1	35	*****	RING-SEAL	1
10	*****	CUP/DIAPHRAGM	1	36	*****	RING-SEAL	1
11	*****	VALVE-RELAY	1	37	276515	RETAINER-SPRING	1
12	276480	CYLINDER/TUBE	1	37	276519	SPRING-RETURN	1
13	276481	PISTON/CUP	1	38	276516	SPRING-RETURN	1
13	*****	CUP	1	39	276517	BOLT	3
13	*****	PISTON	1	40	*****	SEAL	1
14	276488	ROD-PUSH	1	41	276520	SCREW	4
15	*****	SEAL	1	42	276523	DIAPHRAGM	1
15	*****	ROD-PUSH	1	43	276524	CLAMP-HOSE	2
16	276490	NUT-DIAPHRAGM	1	44	276475	RING-CLAMP	1
17	276493	CON-VL PLUNGER	1	45	276497	BRACKET/CLAMP	1
18	276492	RING-SNAP	1	46	276506	WASHER	1
17	*****	SEAL	1	47	15322	FITTING-PIPE	1
20	276494	BEARING	1	48	276514	WASHER	1
21	*****	CUP	1	49	276521	PLATE-DIAPHRAGM	1
22	276476	RETAINER-SEAL	1	50	276522	SHELL-DIAPHRAGM	1
23	*****	RETAINER/CUP	1				
24	276499	SEAT/FITTING	1				
25	315993	RING-SNAP	1				

* INCLUDED IN REPAIR KIT 315996

BRAKES



COMPLETE THE JOB WITH RELATED PARTS	
ITEM	RELATED PARTS
15	19, 19 Repair Kit 276886 Repair Kit 276887

LF
-LEFT FRONT/RIGHT REAR
-RIGHT FRONT/LEFT REAR

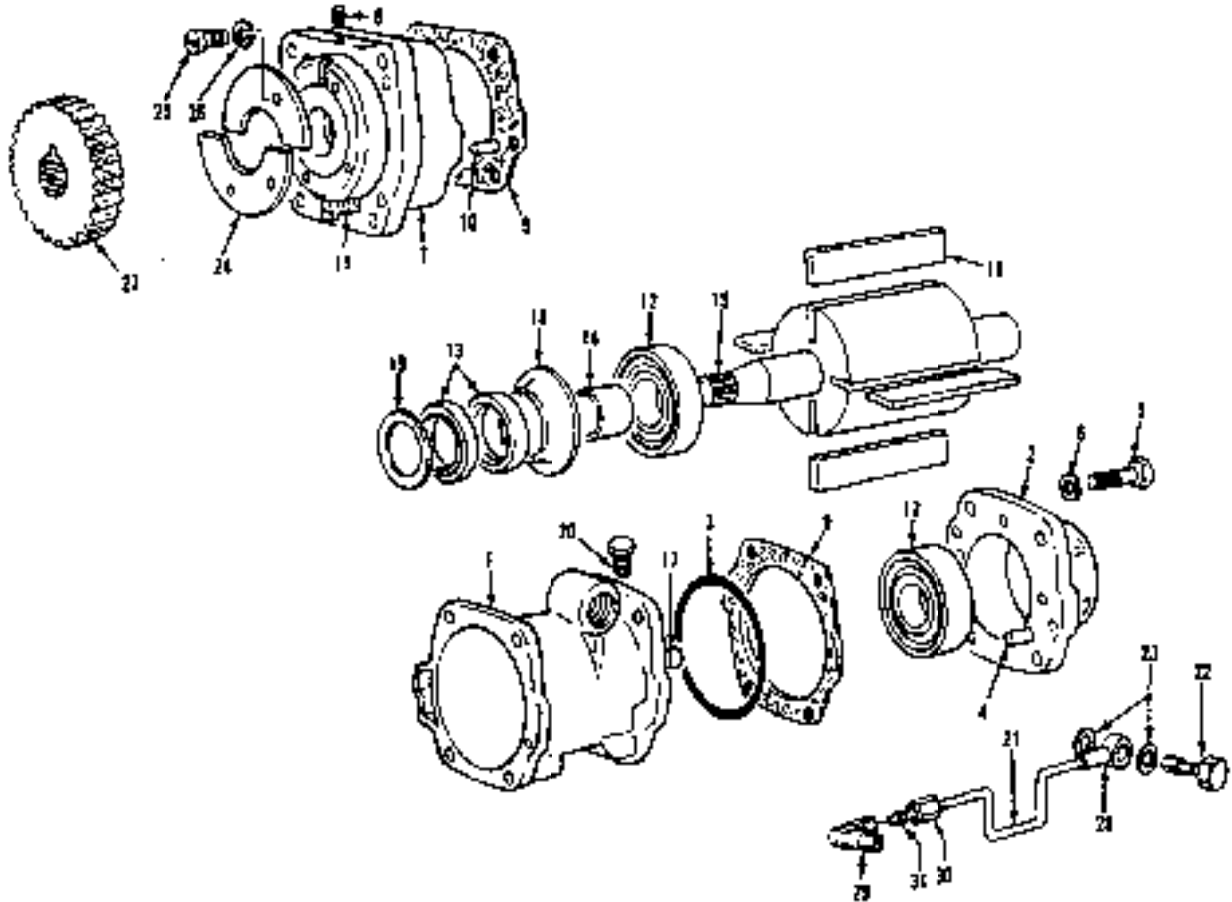
REF NO	HYSTER PART NO	NAME OF PART	QTY	
			A	B
	276909	BRAKE-LF/RR	2	**
	276910	BRAKE-RF/LR	**	2
L	276857	PLATE-LF/RR	1	**
1	276888	PLATE-RF/LR	**	1
7	276858	SHOULDER/WASHER	4	4
3	276859	GAUGE-ADJUSTER	2	2
4	276911	WASHER	4	4
5	18836	CAPSCREW	4	4
6	15935	LOCKWASHER	4	4
7	15915	LOCKWASHER	2	2
8	221704	NUT	1	1
9	18463	CAPSCREW	1	1
10	276860	ANCHOR-LF/RR	2	**
10	27072	ANCHOR-RF/LR	**	2
10	270567	WASHER	2	2
11	276862	SCREW-LF/RR	2	**
11	276890	SCREW-RF/LR	**	2
12	276863	PIN-ANCHOR	2	2
13	276864	SHOE/LINING	2	2
13	*****	SHOE	2	2
14	*****	LINING	2	2
15	*****	RIVET	20	20
16	276866	SLEEVE	2	2
17	276912	WASHER	2	2

REF NO	HYSTER PART NO	NAME OF PART	QTY	
			A	B
18	276869	SPRING-RETAINER	2	2
19	276870	CYLINDER-WHEEL	2	2
20	276872	PISTON	2	2
21	* 276873	SPRING	1	1
22	* 276874	CUP-PISTON	2	2
23	* 276875	COVER	2	2
24	276876	ROD-PUSH	2	2
25	276877	SCREW	2	2
26	276878	COVER-CYLINDER	2	2
27	276879	TUBE-CONNECTOR	1	1
28	276880	TUBE-CONNECTOR	1	1
29	276881	FITTING	1	1
30	276882	FITTING	2	2
31	276913	FITTING	2	2
32	276883	GASKET	2	2
33	276884	GASKET	2	2
34	16374	CAPSCREW	4	4
35	15155	LOCKWASHER	4	4
36	276885	COVER	1	1
37	15154	LOCKWASHER	2	2
38	221703	NUT	2	2

* INCLUDED IN REPAIR KIT 276886
* INCLUDED IN LINING KIT 276887

EXHAUSTER

DIESEL

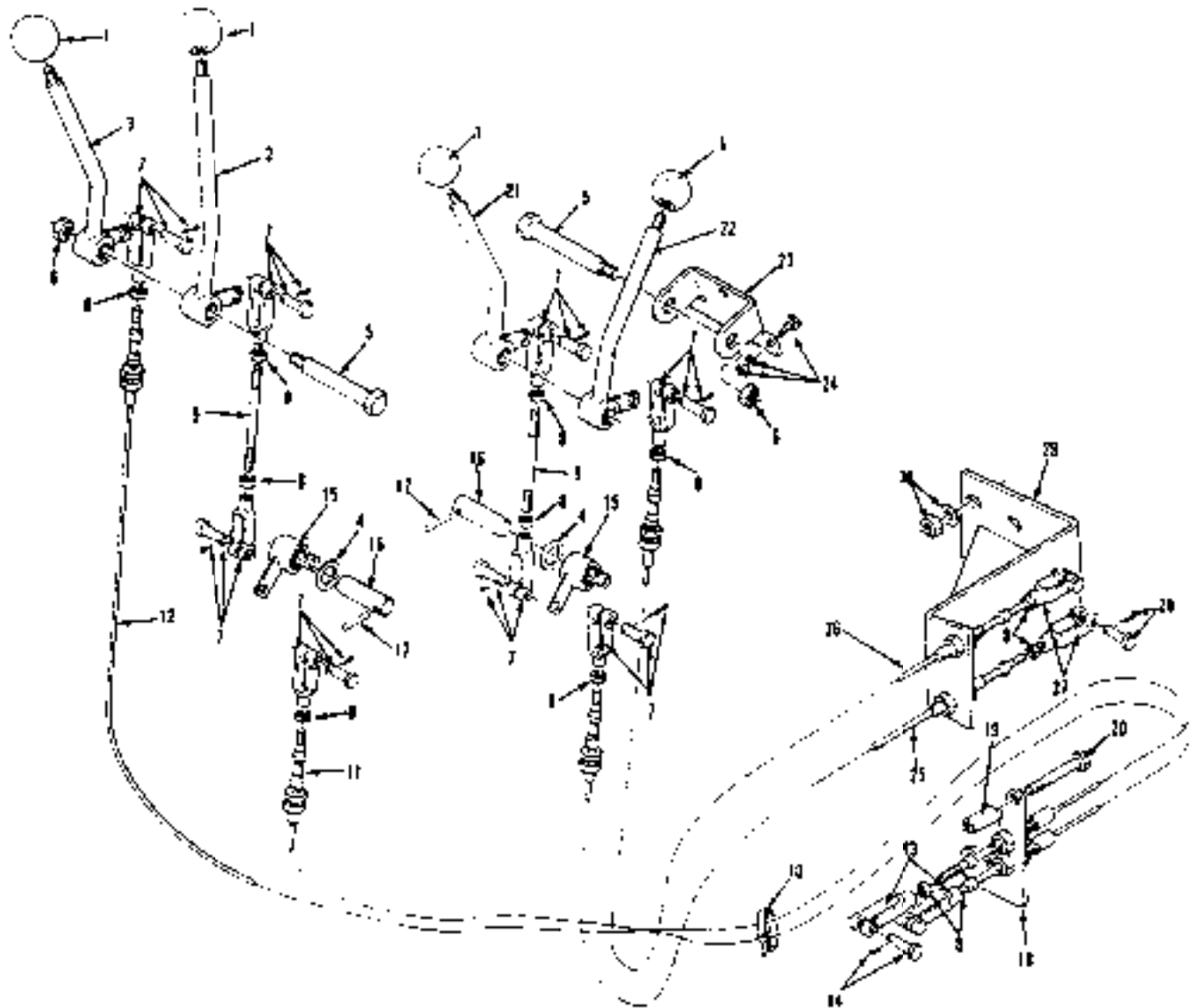


REF NO	HYSTER PART NO	NAME OF PART	QTY	REF NO	HYSTER PART NO	NAME OF PART	QTY
	30138*	ENGINE	1	16	126307	BLADE	4
	31304*	EXHAUSTER	1	17	126304	PLUG	1
1	*****	BODY	1	18	314894	PLUG	1
2	314890	COVER	1	19	314899	PLATE	1
3	126310	GASKET	1	20	281198	SCREW	2
4	985681	DOWEL	2	21	313045	PIPE	1
5	126311	CAPSCREW	4	22	983319	BOLT	1
6	15154	LOCKWASHER	4	23	992645	WASHER	2
7	314891	COVER	1	24	313046	PLATE	2
8	*****	SCREW-SET	1	25	18858	CAPSCREW	4
9	314893	GASKET	1	26	15154	LOCKWASHER	4
10	985681	DOWEL	2	27	313047	GEAR	1
11	314975	SCREW	4	28	981600	UNION	1
12	314894	BEARING	1	29	313048	ELBOW	1
13	314895	SEAL	2	30	14777	NUT	1
14	314896	SLEEVE	1	31	14770	SLEEVE	1
15	314897	SHAFT	1				

TRANSMISSION

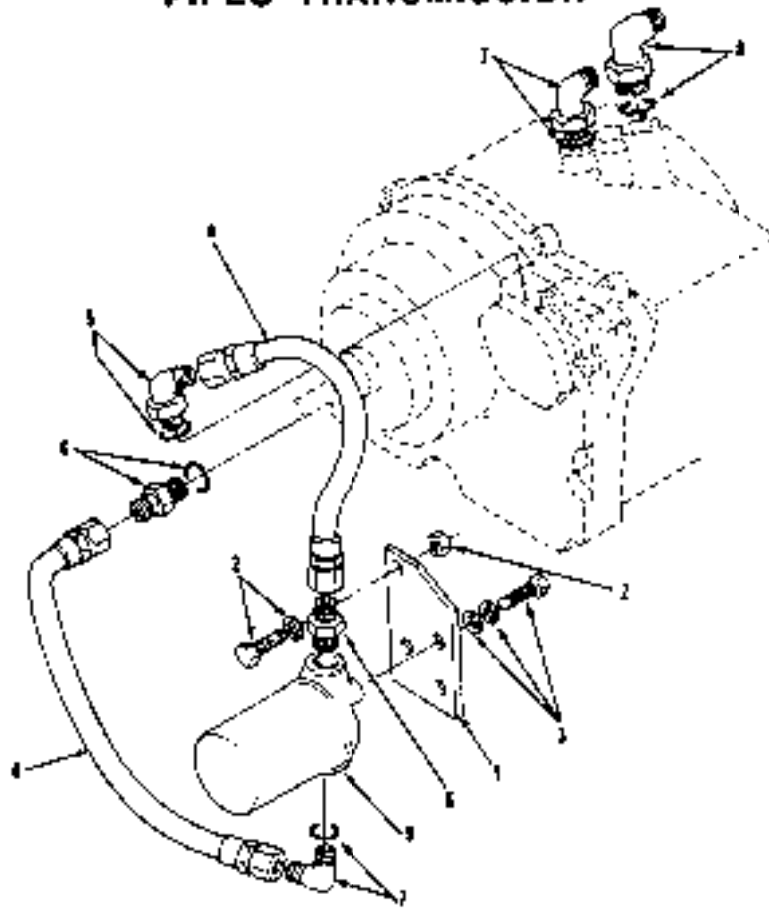
AXLE-STEERING.....2803-2804
 CASE-TRANSFER.....2801-2802
 CONVERTER-TORQUE.....2809
 CYLINDER-AXLE.....2808
 DIFFERENTIAL/CARRIER.....2806
 DRIVE-PLANETARY.....2807
 GEARS-TRANSMISSION OUTPUT.....2813-2814
 HOUSING-TRANSMISSION.....2809-2810
 LINKAGE-TRANSMISSION.....2805
 MOUNT-AXLE.....2805
 MOUNT-TRANSFER CASE.....2808
 MOUNT-TRANSMISSION.....2806
 PIPES-TRANSMISSION.....2807
 PUMP-TRANSMISSION.....2814
 TRANSMISSION FIRST STAGE.....2811
 TIRE/WHEEL.....2809
 VALVE-DUAL PILOT CHECK.....2808
 VALVE-TRANSMISSION.....2812

LINKAGE-TRANSMISSION



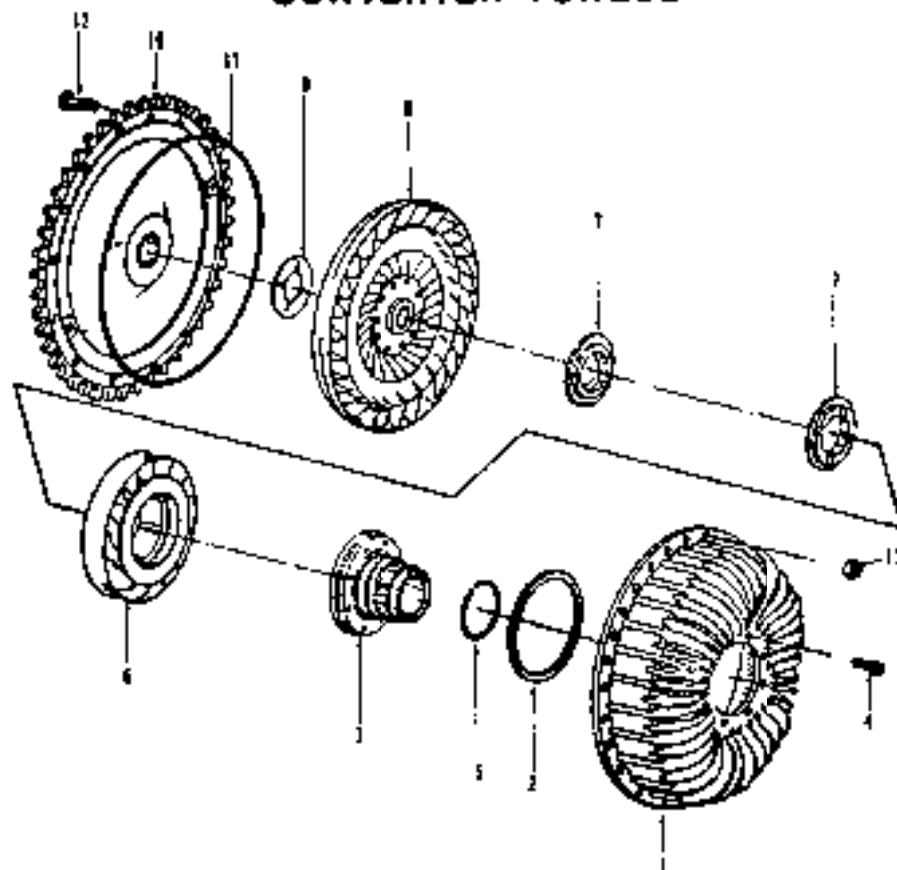
REF NO	HYSTER PART NO	NAME OF PART	QTY	REF NO	HYSTER PART NO	NAME OF PART	QTY
1	190431	1 2 3 4	4	16	311531	1 2 3 4	2
2	311518	LEVER	1	17	19874	PIN-SLOTTED	2
2	270876	BUSHING	2	18	311530	BRACKET	1
3	311522	LEVER	1	19	272962	SPACER	2
3	270876	BUSHING	2	20	18594	CAPSCREW	2
4	312923	WASHER-THRUST	AR	21	311533	LEVER	1
5	241890	SCREW	2	21	270876	BUSHING	2
6	222471	LOCKWASHER	2	22	311537	LEVER	1
7	138	END-ROD	1	22	270876	BUSHING	2
7	139	PIN	1	23	189240	BRACKET	1
7	15211	PIN-COTTER	1	24	16805	CAPSCREW	3
8	15025	NUT-JAM	12	24	15056	NUT	3
9	311540	LINK	2	24	18156	LOCKWASHER	3
10	271776	CLAMP	AR	25	311541	CABLE	1
11	311524	CABLE	1	26	311524	CABLE	1
12	311525	CABLE	1	27	317355	END ROD	2
13	393502	END-ROD	2	28	150	PIN	2
14	142	PIN	2	29	15211	PIN-COTTER	2
14	15211	PIN-COTTER	2	29	311825	BRACKET	1
25	311926	CHAMF	2	30	15178	WASHER-FLAT	4
25	270876	BUSHING	4	30	264846	LOCKWASHER	4

PIPES-TRANSMISSION



REF NO	HYSTER PART NO	NAME OF PART	QTY	REF NO	HYSTER PART NO	NAME OF PART	QTY
		1 2 3 4				1 2 3 4	
1	272959	PLATE	1	6	16543	FITTING	2
2	15813	CAPSCREW	1	6	16486	O-RING	1
2	15058	NUT	1	7	16561	FITTING	2
2	15156	LOCKWASHER	1	7	16486	O-RING	1
3	18497	CAPSCREW	3	8	272078	FITTING	1
3	15155	LOCKWASHER	3	8	16486	O-RING	1
3	15175	WASHER-FLAT	3	9	275993	FILTER	1
4	306915	HOSE	2	9	277454	ELEMENT	3
5	111447	FITTING	1				
5	16486	O-RING	1				

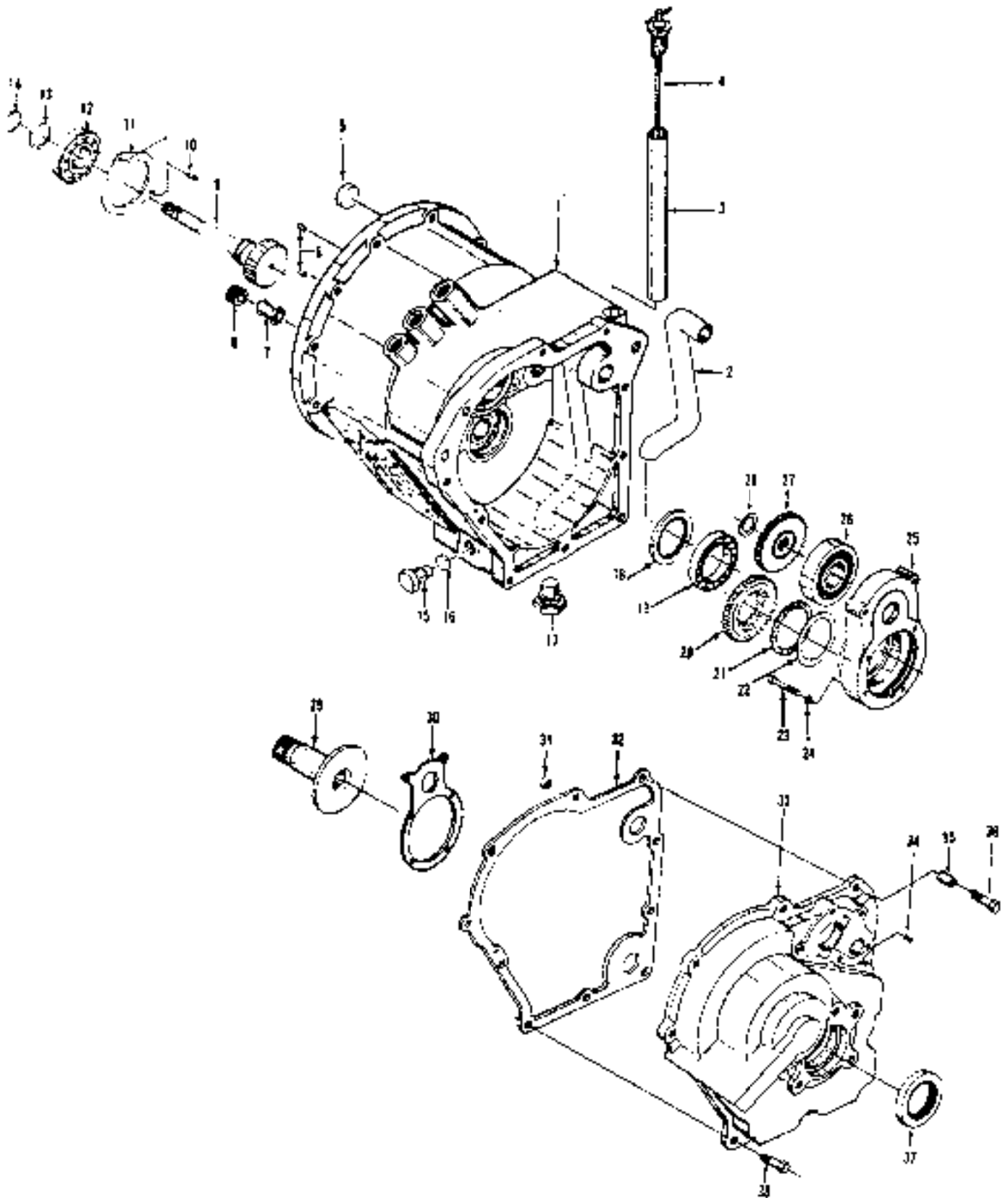
CONVERTER-TORQUE



REF NO	HYSTER PART NO	NAME OF PART 1 2 3 4	QTY
	309804	CONVERTER-TORQ	1
	309805	CONVERTER-TORQ	1
1	277037	HOUSING	1
2	150084	RING	1
3	277039	HUB	1
4	18748	CAPSCREW	8
5	277041	RING-SEAL	1
6	259099	REACTOR	1
7	150823	WASHER-STATOR	2
8	309803	TURBINE	1

REF NO	HYSTER PART NO	NAME OF PART 1 2 3 4	QTY
9	309804	WASHER-THRUST	1
10	278976	COVER-FRONT	1
10	159822	COVER-FRONT	1
11	147543	O-RING	1
12	10825	CAPSCREW	18
13	221351	LOCKNUT	18
		* DIESEL	
		+ GASOLINE	

HOUSING-TRANSMISSION



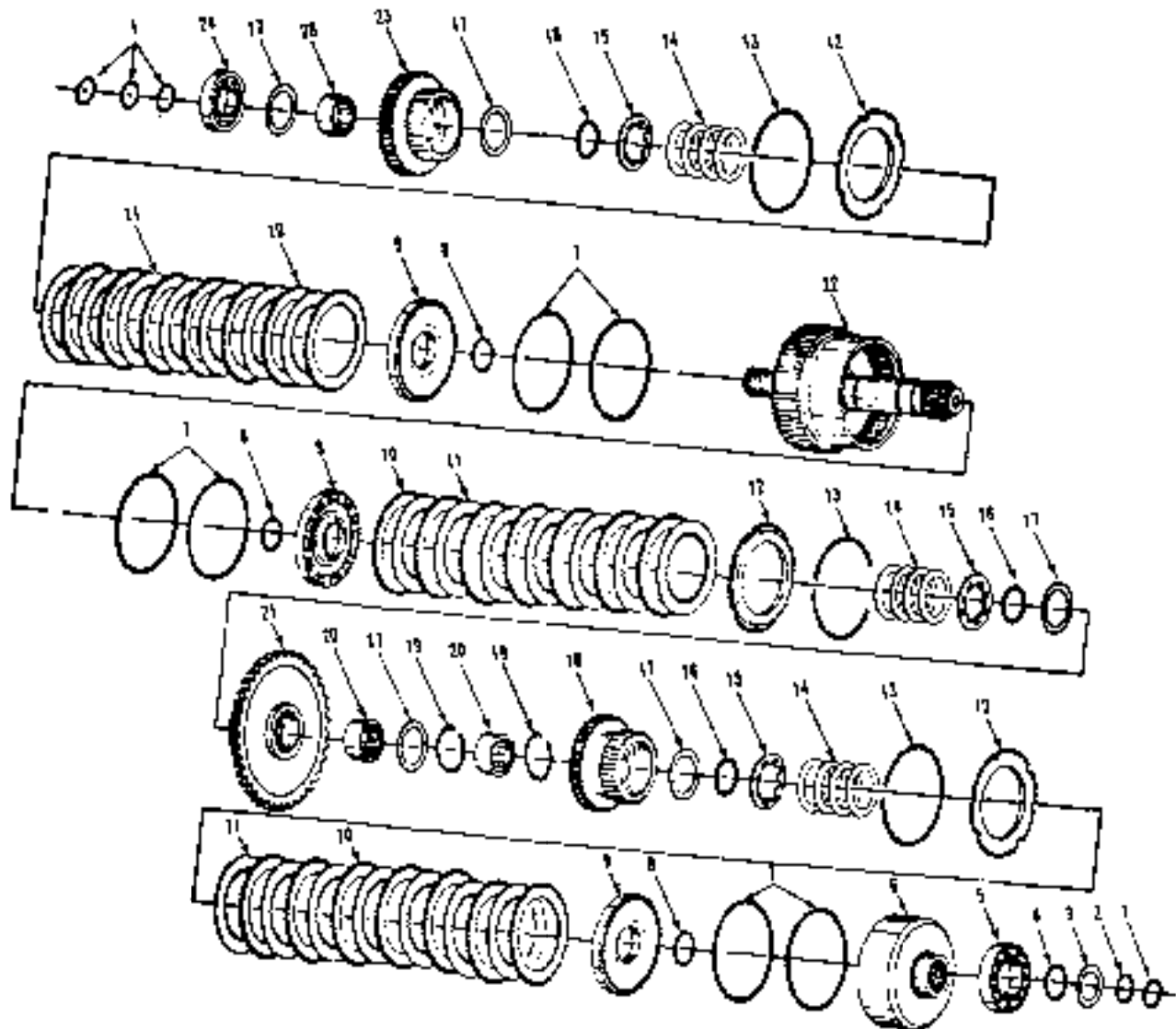
HOUSING-TRANSMISSION

1-USED ON TRANSMISSION SPEC 8008A
 2-USED ON TRANSMISSION SPEC 8008B

REF NO	HYSTER PART NO	NAME OF PART L Z J A	QTY		REF NO	HYSTER PART NO	NAME OF PART L Z J A	QTY	
			A	B				A	B
	3096J3	TRANSMISSION	1	1	19	44313	BEARING-BALL	1	1
1	276700	HOUSING	1	1	20	276706	GEAR-DRIVE	1	1
2	276701	TUBE-SUPPORT	1	1	21	276711	BEARING	1	1
3	276703	TUBE-DRIPSTICK	1	1	22	276710	WASHER-THRUST	1	1
4	291687	DRIPSTICK	1	1	23	16035	CAPSCREW	4	4
5	276702	PLUG	1	1	24	232189	SEAL	6	6
6	135197	PIN-OSWEL	2	1	25	291684	HOUSING	1	1
7	276702	VALVE	1	1	26	276712	BEARING	1	1
8	291687	PLUG-SPECIAL	1	1	27	276707	GEAR-IMPELLER	1	1
9	276715	SHAFT-INPUT	1	1	28	206643	WASHER-#125	1	1
10	133469	CAPSCREW	2	2	29	276713	TUBE-SHAFT	1	1
11	276717	PLATE-RETAINER	1	1	30	291685	GASKET	3	1
12	127958	SEALING-BALL	1	1	31	15050	NUT	3	3
13	12893	RING-SNAP	1	1	32	291689	GASKET	1	1
14	276715	SEAL-RING	1	1	33	291688	HOUSING-REAR	1	1
15	291685	SCREEN-SUPPORT	1	1	34	277025	HOUSING-REAR	1	1
16	291686	GASKET	1	1	35	19971	PIN-SLOTTED	2	2
17	135196	FITTING-PIPE	1	1	36	277026	BUSHING	2	2
17	206643	WASHER-#125	1	1	36	16035	CAPSCREW	4	4
17	276701	O-RING	1	1	37	87456	SEAL-OIL	1	1
18	291683	WASHER-#125	1	1	38	18588	CAPSCREW	6	6

253323

TRANSMISSION FIRST STAGE

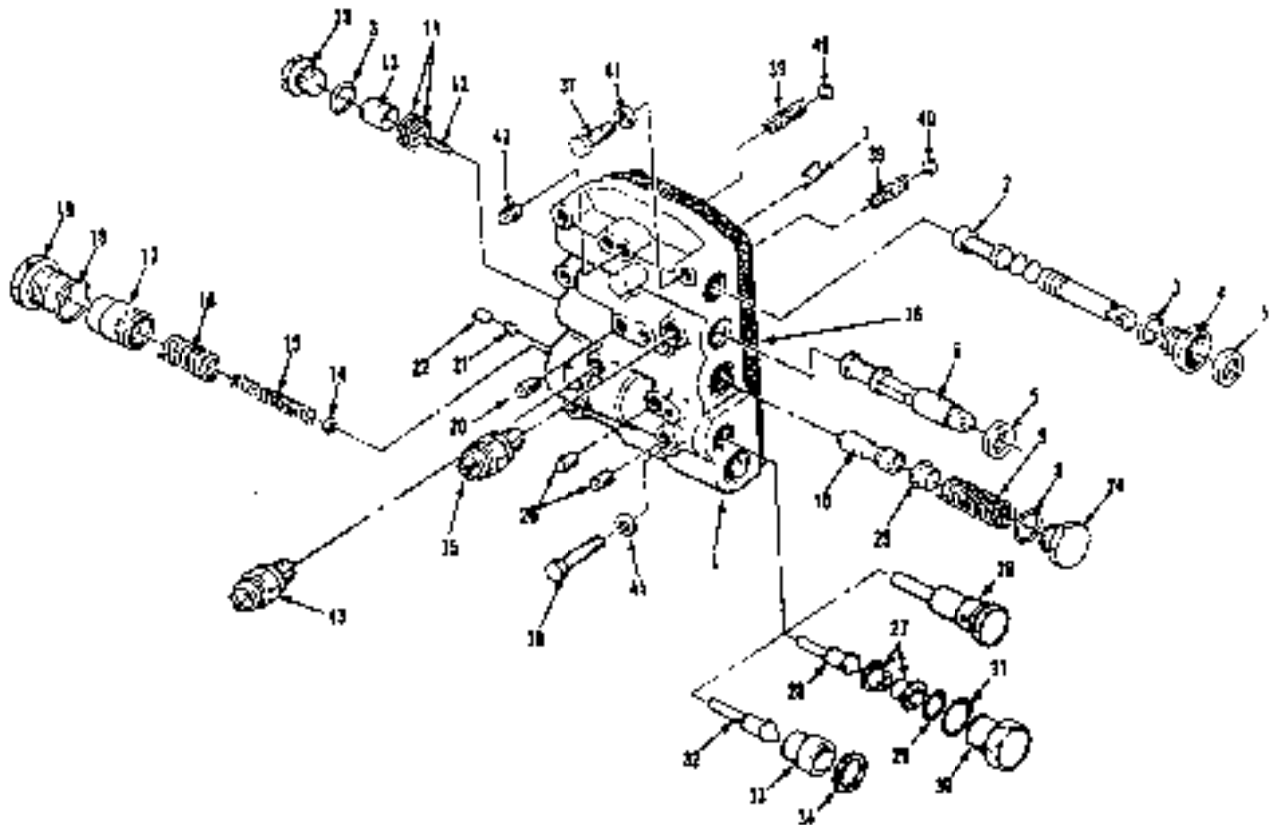


NET
 B=LAST USED ON TRANSMISSION SPEC 8808A
 0=FIRST USED ON TRANSMISSION SPEC 8808B

REF NO	HYSTER PART NO	NAME OF PART 1 2 3 4	QTY		REF NO	HYSTER PART NO	NAME OF PART 1 2 3 4	QTY	
			A	B				A	B
1	276716	SEAL-RING	4	4	15	307134	RETAINER-SPRING	3	4
2	277035	RING-RETAINER	1	1	15	328301	RING-RETAINER	4	3
3	276735	WAS-WH-EMHUST	1	1	16	278724	RING-SNAP	6	4
4	39301	O-RING	1	1	16	328302	RING-SNAP	4	6
5	43211	BEARING-BALL	1	1	17	276729	WASHER-TORUST	5	5
6	276733	HUB/CYLINDER	1	1	18	276732	GEAR/HUB	1	1
7	276720	RING-BACK-UP	6	6	19	276734	RING-RETAINER	2	7
8	39383	O-RING	3	3	20	277036	BEARING	3	3
9	276721	PISTON	3	3	21	276730	GEAR/HUB	1	1
10	276726	PLATE-CLUTCH	21	4	22	276718	SHAFT-1ST STAGE	1	4
10	29126	STUD	4	21	22	324300	SHAFT-CLUTCH	4	1
11	275725	PLATE-SEPARATOR	12	12	23	276737	GEAR/HUB	1	1
12	276727	PLATE	3	3	24	43208	BEARING-BALL	1	1
13	242147	RING-RETAINER	3	3					
14	276722	SPRING-CLUTCH	4	12					
15	307133	SPRING-BEVEL	12	12					
15	276723	RETAINER-SPRING	3	4					

4 LAST USED SPEC 8808A S/N 331
 3 FIRST USED SPEC 8808A S/N 519

VALVE-TRANSMISSION

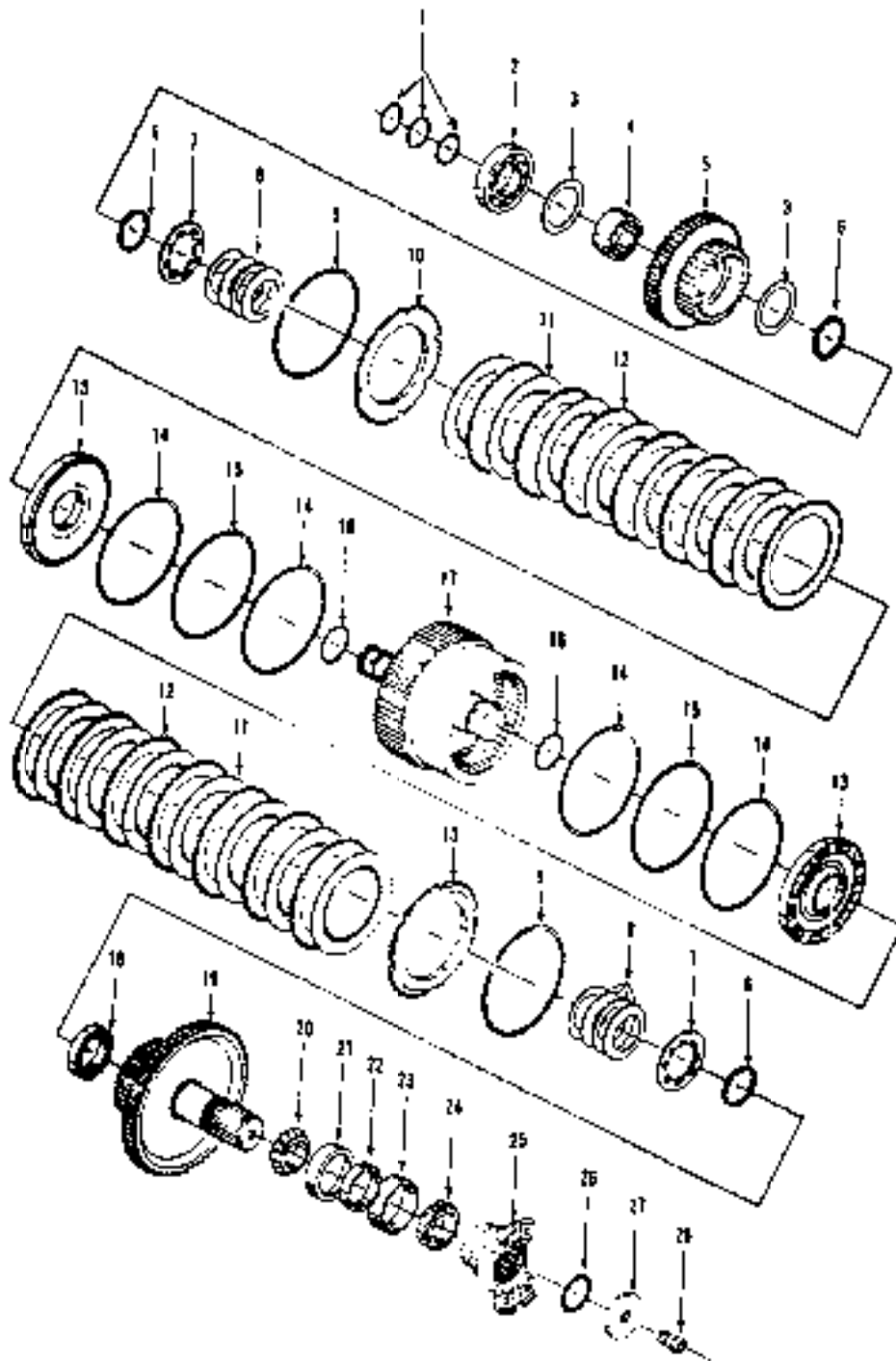


KEY
 A-CAST USED ON TRANSMISSION S/N R010001688
 B-USED ON TRANSMISSION S/N R010001069 THRU R010019469
 C-FITTING USED ON TRANSMISSION S/N R010019470

KEY NO	HYSTER PART NO	NAME OF PART	QTY			REF NO	HYSTER PART NO	NAME OF PART	QTY		
			A	B	C				A	B	C
	276696	VALVE	1	19	276760	PLUG	3	1	1
	323435	VALVE	..	1	..	20	15306	FITTING	3	3	3
	323297	VALVE	1	21	276764	PLUG	3
1	276742	BODY	1	22	323428	PLUG	..	1	1
1	..	BODY	..	1	..	23	15483	PLUG	3	1	3
1	323248	BODY	1	23	776748	PLUG	1
2	276743	SPOOL-RANGE	1	23	323429	PLUG	..	2	1
2	323249	SPOOL-RANGE	..	1	1	24	276754	PLUG	3
3	16485	O-RING	1	1	1	24	323430	PLUG	..	2	3
4	276744	PLUG	1	1	1	25	323431	GUIDE	..	1	3
5	55272	SEAL-OIL	1	1	1	26	322282	CARTRIDGE-VALVE	1
5	276746	SPOOL-FWD/REV	2	27	323440	SEAT-VALVE	..	1	..
5	323437	SPOOL-FWD/REV	..	1	..	28	323432	POPPET	..	1	..
5	323425	SPOOL-FWD/REV	1	29	323441	O-RING	..	1	..
7	276745	FORM-STOP	1	30	323439	PLUG	..	1	..
7	323424	FORM-STOP	..	1	1	31	16486	O-RING	..	1	..
9	276756	O-RING	1	1	1	32	331473	POPPET	1
9	276753	SPRING-RETURN	1	1	1	33	323433	SEAT-VALVE	1
10	276749	VALVE	1	1	1	34	323435	O-RING	1
10	275751	STEM	1	35	299843	SWITCH-SAFETY	3
10	276752	SPRING	1	36	276766	GASKET	1	1	1
11	276750	O-RING	2	2	2	37	16782	CAPSCREW	7	7	7
12	323427	ROLLER	..	1	1	38	10516	CAPSCREW	3	3	3
13	276747	PISTON	1	1	1	39	276767	SPRING-DETENT	2	2	2
14	277034	SPACER-SPRING	1	1	1	40	23278	BALL	2	2	2
14	276757	SPRING-REGTR	1	1	1	41	18515	WASHER-FLAT	10	10	10
16	276758	SPRING-ACCUM	1	1	1	42	15306	FITTING	3	3	3
17	276759	PISTON-ACCUM	1	1	1	43	276762	SWITCH-SAFETY	..	1	3
19	276761	O-RING	1	2	1						

GEARS-TRANSMISSION

OUTPUT



GEARS-TRANSMISSION

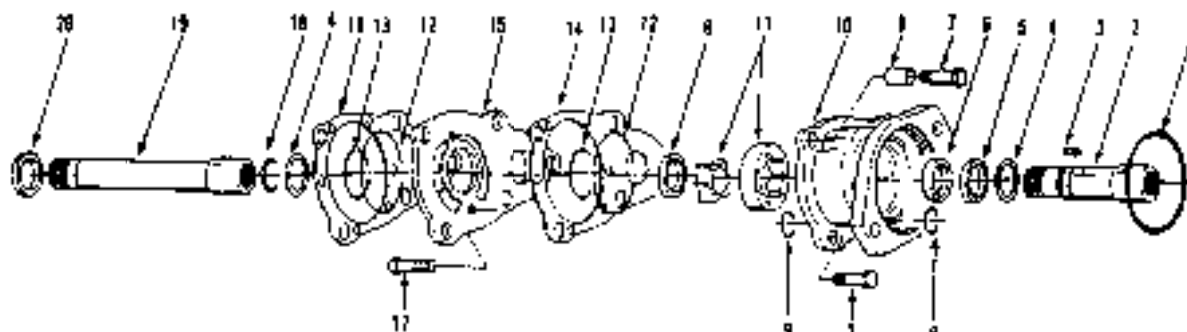
OUTPUT

KEY

A-LAST USED ON TRANSMISSION SPEC 8808A
 B-FIRST USED ON TRANSMISSION SPEC 8808B

REF NO	HYSTER PART NO	NAME OF PART 1 2 3 4	QTY		REF NO	HYSTER PART NO	NAME OF PART 1 2 3 4	QTY	
			A	B				A	B
	309603	TRANSMISSION	1	1	14	276720	RING-BACK-UP	2	4
	291698	SHAFT-OUTPUT	1	1	15	276719	SEAL-RING	2	2
1	276716	SEAL-RING	3	3	16	39383	O-RING	2	2
2	43228	BEARING-BALL	1	1	17	307819	SHAFT	1	1
3	276729	WASHER-THRUST	2	2	17	291697	SHAFT	1	1
4	277016	BEARING	1	1	18	44308	BEARING	1	1
5	276737	GEAR/MUD	1	1	19	276739	SHAFT/GEAR	1	1
6	276724	RING-SNAP	3	1	19	326304	SHAFT/GEAR	1	1
8	326301	RING-RETAINER	1	1	20	43308	BEARING-BALL	1	1
1	307134	RETAINER-SPRING	2	1	20	326305	CONE-BEARING	1	1
7	326302	RING-SNAP	1	2	21	183614	CUP-BEARING	1	1
8	307133	SPRING-LEVEL	8	8	22	276741	SPACER	1	1
9	242147	RING-RETAINER	2	2	23	326306	CUP-BEARING	1	1
10	276727	PLATE	7	1	24	326307	CONE-BEARING	1	1
10	291699	PLATE	1	2	24	41209	BEARING	1	1
11	276725	PLATE-SEPARATOR	14	14	25	277028	YOKE	1	1
12	276726	PLATE-CLUTCH	14	1	26	277029	O-RING	1	1
12	291694	PLATE-CLUTCH	1	14	27	277030	WASHER-YOKE	1	1
13	276721	PISTON	2	2	28	277031	BOLT-PLATE	1	1

PUMP-TRANSMISSION

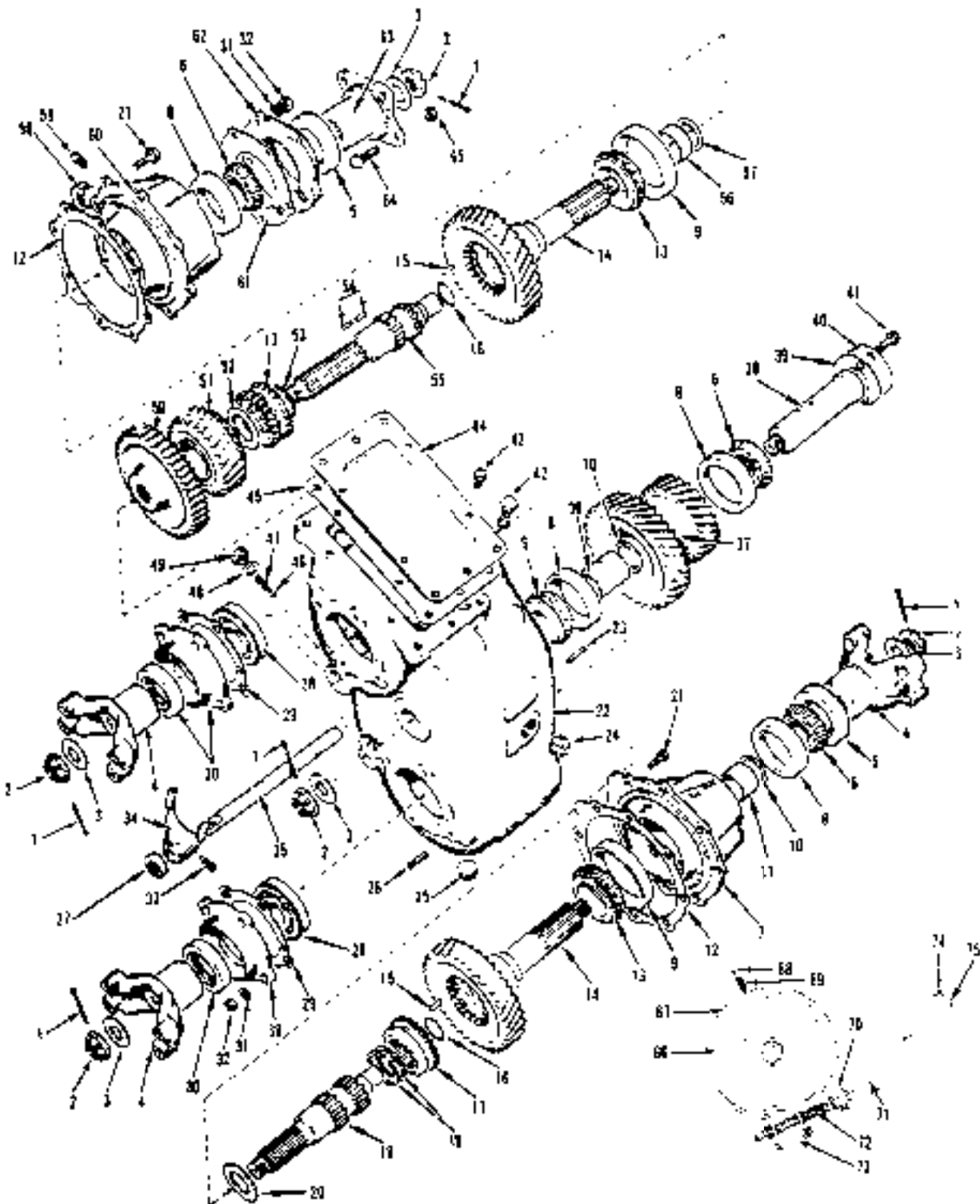


KEY

A-LAST USED ON TRANSMISSION SPEC 8808A
 B-FIRST USED ON TRANSMISSION SPEC 8808B

REF NO	HYSTER PART NO	NAME OF PART 1 2 3 4	QTY		REF NO	HYSTER PART NO	NAME OF PART 1 2 3 4	QTY	
			A	B				A	B
	292565	PUMP	1	1	10	*****	HOUSING	1	1
	291690	PUMP	1	1	11	298553	GEROTOR	1	1
1	15883	O-RING	1	1	12	39679	O-RING	1	2
2	298553	SHAFT	1	1	13	40563	O-RING	1	2
2	291691	SHAFT	1	1	14	298560	GASKET	1	1
3	298554	KEY	1	1	15	298556	PLATE-WEAR	1	1
4	298552	WASHER	2	2	15	291692	PLATE-WEAR	1	1
5	298559	SEAL	1	1	16	298569	GASKET	1	1
6	298558	BEARING	2	2	17	298578	CAPSCREW	2	2
7	16379	CAPSCREW	5	4	18	298562	RING-RETAINER	1	1
7	16371	CAPSCREW	1	1	19	298561	SHAFT-DRIVE	1	1
8	298557	BUSHING	2	2	19	291693	SHAFT-DRIVE	1	1
9	39347	O-RING	1	2	20	298563	BEARING	1	1

CASE-TRANSFER



CASE-TRANSFER

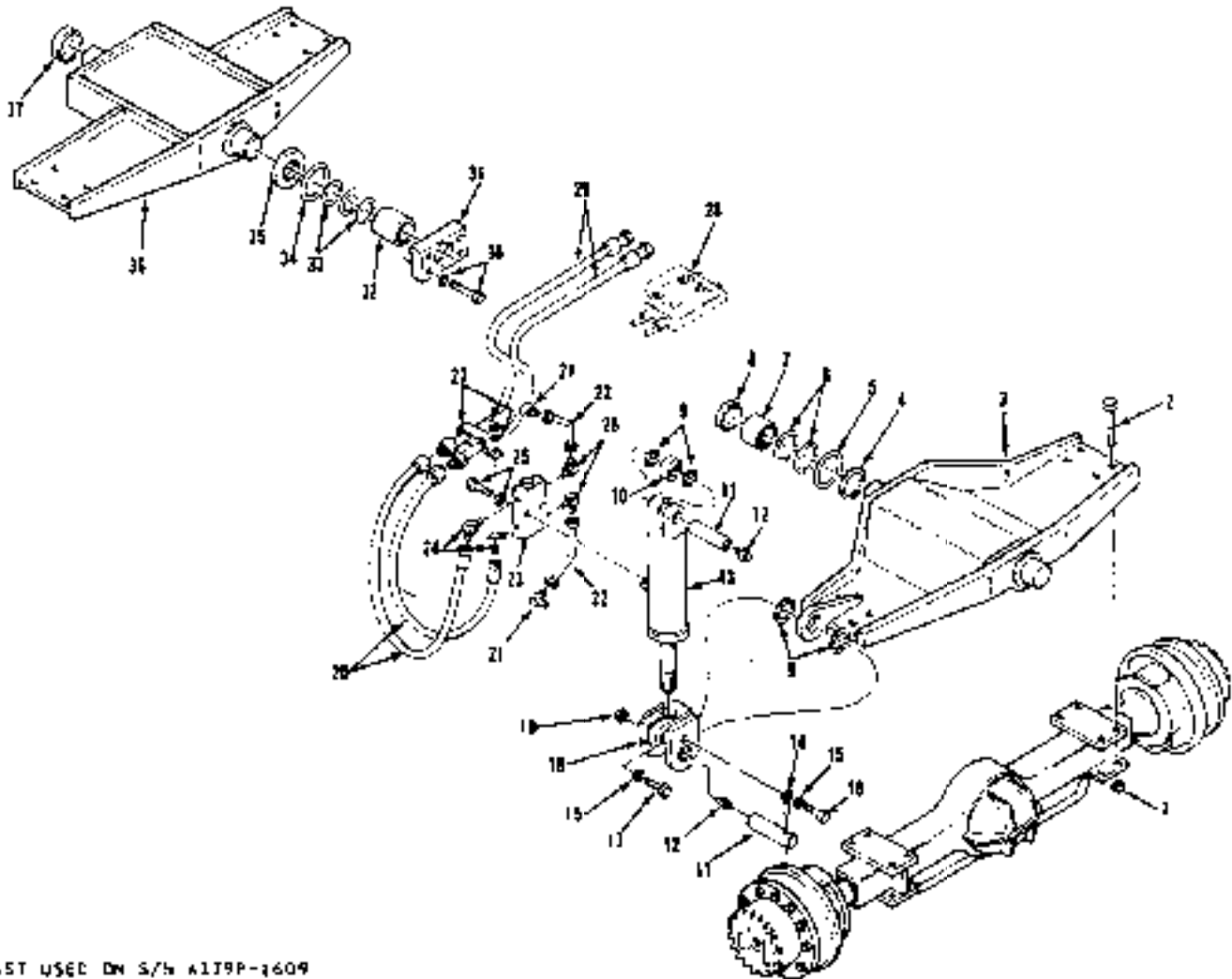
REF NO	HYSTER PART NO	NAME OF PART 1 2 3 4	QTY	REF NO	HYSTER PART NO	NAME OF PART				QTY
						1	2	3	4	
	272928	CASE-TRANSFER	1	39	273908	GASKET				1
1	15229	PIN	5	40	273955	COVER-SHAFT				1
2	273492	NUT	5	41	53991	SCREW/WASHER				3
3	273499	WASHER	5	41	15927	LOCKWASHER				3
4	273957	YOKE	2	42	273942	SCREW				6
4	273956	YOKE	1	43	53922	SCREW/WASHER				4
5	53825	SEAL-OIL	2	44	273917	COVER-PTO				1
6	30023	CONE-BEARING	4	45	273915	GASKET-COVER				1
7	273898	RETAINER-BRG	1	46	55280	BALL				2
8	30019	CUP-BEARING	1	47	273929	SPRING				2
9	230351	CUP-BEARING	1	48	273910	GASKET				2
10	273918	SHIM	AR	49	273933	SCREW				2
10	273919	SHIM	AR	50	273482	GEAR-PTO				1
10	273920	SHIM	AR	51	273879	GEAR-DRIVE				1
10	273921	SHIM	AR	52	273912	SPACER-ROLLER				1
11	273916	SPACER-ROLLER	1	53	273025	WASHER-THRUST				1
12	273900	GASKET-RETAINER	2	54	273922	BEARING-ROLLER				70
13	232352	CONE-BEARING	2	55	273885	SHAFT-DRIVE				1
14	273881	BEAR-DRIVEN	2	56	273878	GEAR-DRIVE				1
15	273923	BEARING-ROLLER	30	57	273914	SPACER				1
16	273496	RING-SHAFT	2	58	273959	PLUG				1
17	273884	GEAR	2	59	273877	FITTING				1
18	273958	SPACER-YONE	2	60	273887	RETAINER-BRG				1
19	273887	SHAFT-DRIVEN	1	61	273911	GASKET-SUPPORT				1
20	273498	WASHER-THRUST	1	62	273954	SUPPORT-BRAKE				1
21	273912	SCREW/LINKER	16	63	273952	FLANGE				1
22	273875	CASE-TRANSFER	1	64	273941	BOLT				4
23	273488	STUD-RETAINER	9	65	273495	NUT				4
24	15304	FITTING-PIPE	1	66	273973	ORUM-BRAKE				1
25	273876	PLUG-DRAIN	1	67	273943	BAND/LINING				1
24	273924	STUD	8	68	273934	SCREW				1
21	166609	SEAL-OIL	2	69	273930	SPRING				1
28	273888	BEARING	2	70	153	PIN				1
29	273901	GASKET-RETAINER	AR	70	15223	PIN-COTTER				1
29	273902	GASKET-RETAINER	AR	71	273950	LEVER-BRAKE				2
30	273899	RETAINER-BRG	2	72	273940	BOLT				1
40	53825	SEAL-OIL	1	72	275299	WASHER				2
51	15157	LOCKWASHER	13	72	273931	SPRING				2
32	15007	NUT	13	72	15003	NUT-JAM				1
33	273906	SCREW	2	73	273935	SCREW				1
34	273905	FURN-SHIFTER	2	73	15026	NUT-JAM				2
35	273904	RAIL	1	74	273909	STUD				1
35	273903	RAIL	1	74	15196	LOCKWASHER				1
36	273913	SPACER-BEARING	1	74	15054	NUT				1
37	273880	GEAR-DRIVER	1	74	15212	PIN-COTTER				1
38	273886	SHAFT-GEAR	1	75	273951	LINK-SPACER				1

AXLE-STEERING

K-Y
 A-LAST USED ON S/N A179P-1609
 B-LAST USED ON S/N A179P-1610

REF NO	MYSTER PART NO	NAME OF PART 1 2 3 4	QTY		REF NO	MYSTER PART NO	NAME OF PART 1 2 3 4	QTY	
			A	B				A	B
	272976	AXLE-STEERING	2	**	22	276806	BUSHING	2	2
	328494	AXLE-STEERING	**	2	23	276827	SFT/JOINT RF/LR	1	**
3	304971	HOUSING-AXLE	1	**	23	335602	SFT/JOINT RF/LR	**	1
1	335601	HOUSING-AXLE	**	1	23	276819	SFT/JOINT LF/RR	1	**
2	288394	SEALANT	AR	AR	23	335604	SFT/JOINT LF/RR	**	1
3	276780	VENT-AIR	1	1	24	276821	JOINT-UNIVERSAL	2	**
4	276776	PLUG	2	2	24	335604	JOINT-UNIVERSAL	**	2
5	335602	PLUG-FITTING	1	1	25	276828	SHAFT-RF/LR	1	**
6	13963	PLUG-FITTING	1	1	25	335603	SHAFT-RF/LR	**	1
7	276810	CONE-BEARING	4	4	25	276820	SHAFT-LF/RR	1	**
8	276440	CUP-BEARING	4	4	25	335607	SHAFT-LF/RR	**	1
9	276781	SEAL-GIL	2	2	26	276906	FITTING-GREASE	2	2
10	276818	RETAINER	4	4	27	276829	ROD-TIE	1	**
11	276813	RETAINER-SEAL	2	2	27	335622	ROD-TIE	1	**
12	276815	SPRING	2	2	28	13961	FITTING-GREASE	**	1
13	276816	SEAL	2	2	29	12448	CAPSCREW	2	2
14	276814	SEAL-FELT	2	2	30	276811	CLAMP	2	2
15	276817	RETAINER	2	2	30	335623	CLAMP	2	**
16	221357	LOCKNUT	16	16	31	15160	LOCKWASHER	**	2
17	276898	STUD	16	16	32	15060	NUT	2	2
18	335610	FRONTRON	4	4	33	15224	PIN	2	2
19	276808	SHIM-LODS	3	3	34	12435	NUT-SLOTTED	2	2
19	276809	SHIM-LOD	3	3	35	276833	SOCKET-RF/LR	1	**
20	276805	HOUSING	2	**	35	335620	SOCKET-RF/LR	**	1
20	335608	HOUSING-RF/LR	**	1	35	276834	SOCKET-LF/RR	1	**
20	335609	HOUSING-LF/RR	**	1	35	335621	SOCKET-LF/RR	**	1
21	276812	BASKET-KNUCKLE	2	2	36	276900	STUD	2	2

MOUNT-AXLE



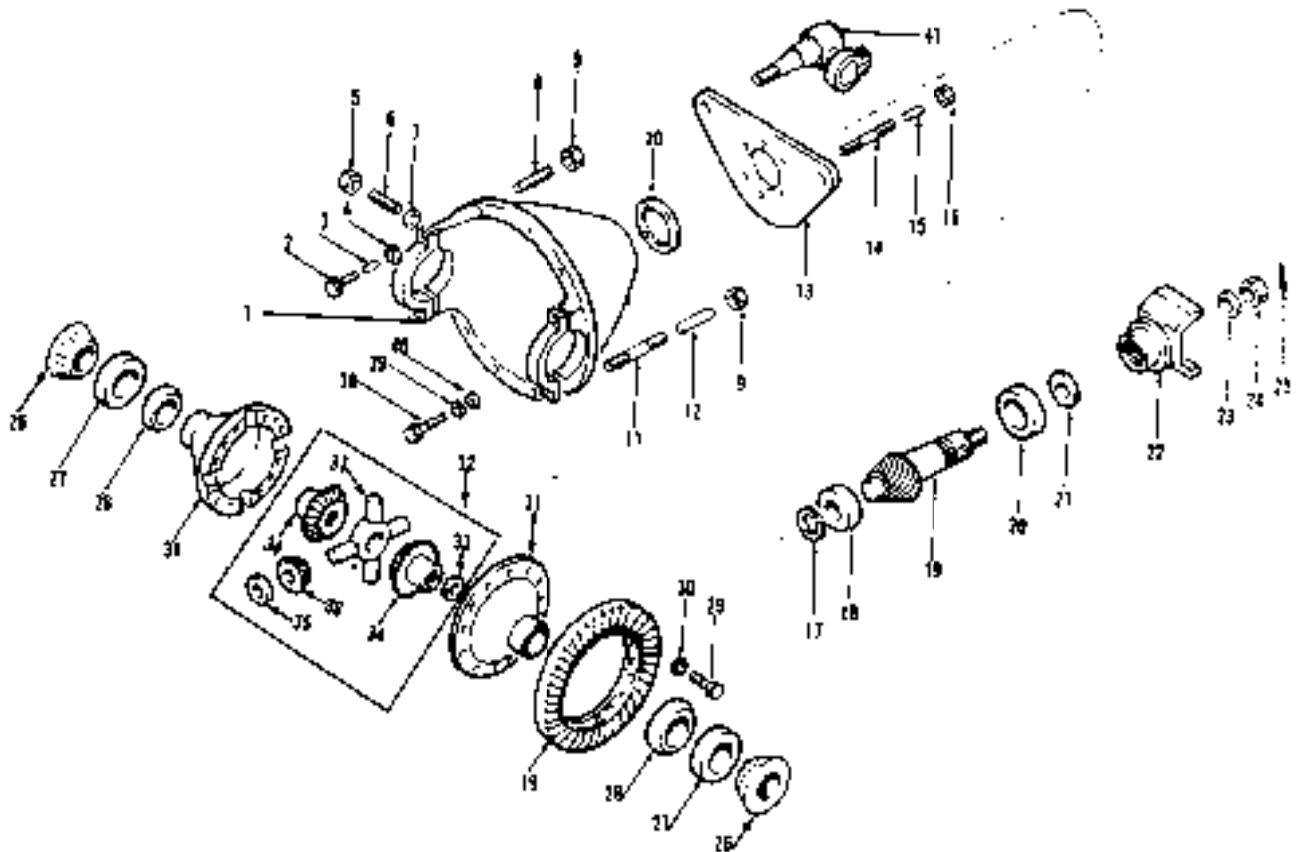
KEY

A-LAST USED ON S/N A179P-1609

B-FIRST USED ON S/N A179P-1610

REF NO	HYSTER PART NO	NAME OF PART 1 2 3 4	QTY		REF NO	HYSTER PART NO	NAME OF PART 1 2 3 4	QTY	
			A	B				A	B
	*****	AXLE SEE 2603-29J4	2	2	22	313044	TUBE	2	2
1	277156	LOCKWASHER	16	26	23	*****	VALVE SEE 2908	1	1
2	272977	CAPSCREW	16	26	24	16598	FITTING	2	2
3	326406	CAPSCREW	4	16	24	16483	O-RING	1	1
4	306844	CRADLE-FRONT	1	1	25	18909	CAPSCREW	2	2
5	272986	WASHER-THRU-F	2	2	26	15155	LOCKWASHER	2	2
6	272987	RING-SEAL	2	2	26	96521	FITTING	2	2
7	181596	SHIM-4007	AR	AR	26	16484	O-RING	1	1
8	181597	SHIM-4020	AR	AR	27	15055	NUT	1	1
9	27994	COVER	2	2	27	15155	LOCKWASHER	1	1
10	272988	PLUG	2	2	27	189466	HOSE	1	1
11	106847	WASHER-THRU-F	4	4	28	*****	VALVE SEE 2007	1	1
12	179315	BUSHING	2	2	29	313982	HOSE	2	2
13	306844	RIM	2	2	30	221701	CAPSCREW	4	26
14	16041	FITTING-G-GREASE	2	2	30	18676	CAPSCREW	2	4
15	*****	CYLINDER SEE 2003	1	1	30	15166	LOCKWASHER	4	4
16	241079	EYE-BOLT	2	2	31	294752	PLATE-CAP	1	1
17	15158	LOCKWASHER	3	3	32	110433	BUSHING	2	2
18	16830	CAPSCREW	2	2	33	130835	SHIM-4007	AR	AR
19	18591	CAPSCREW	1	1	33	131190	SHIM-4007	AR	AR
20	106841	END-RUD	1	1	33	131191	SHIM-4035	AR	AR
21	19058	NUT	1	1	34	131193	RING-SEAL	2	2
22	313986	HOSE	2	2	35	127930	FLANGE	2	2
23	16559	FITTING	2	2	36	298134	GRAND-F-REAR	1	1
24	16484	O-RING	1	1	37	131192	PLUG	1	1

DIFFERENTIAL/CARRIER



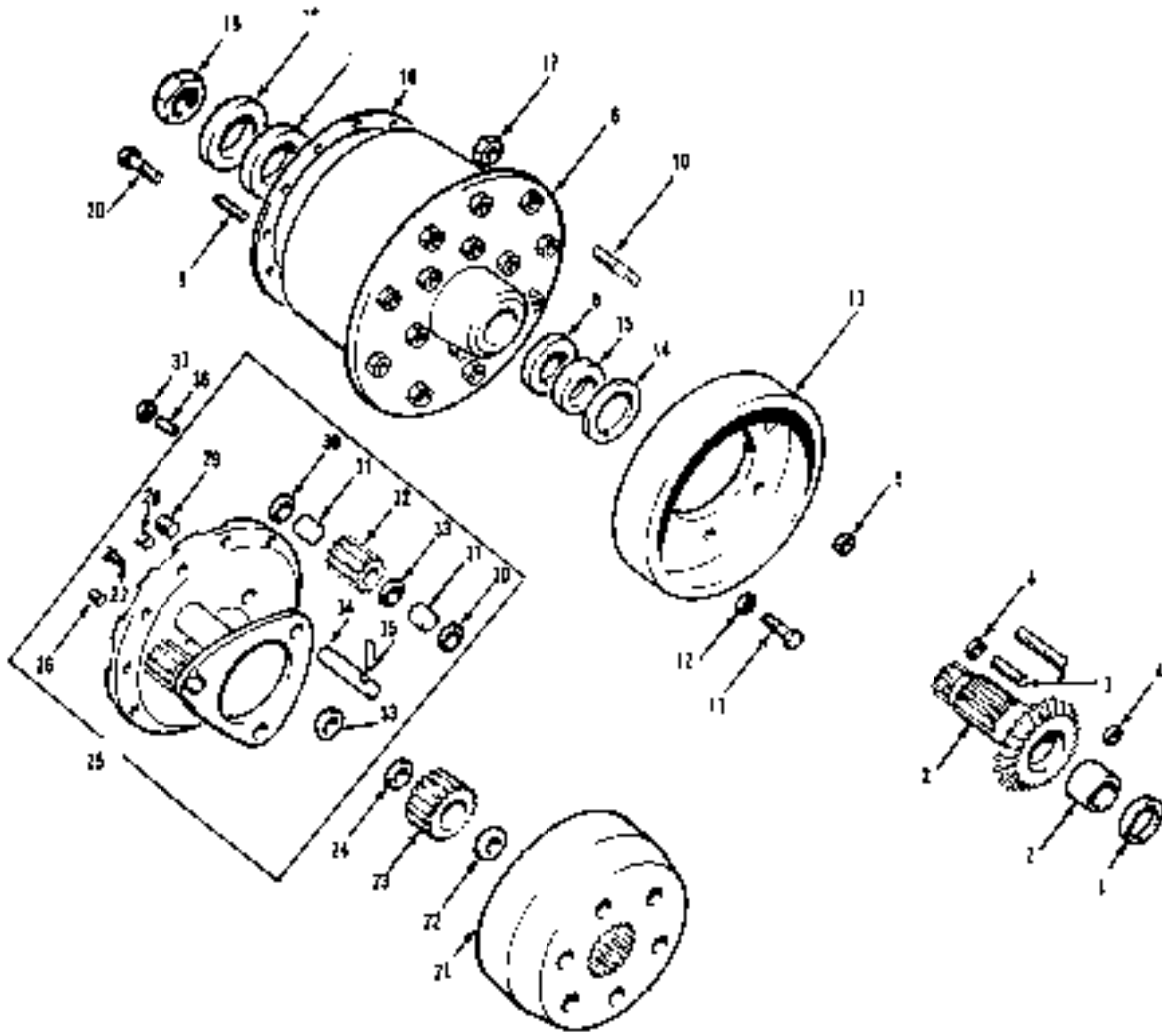
KEY

A—LAST USED ON S/N 41700-1609

B—FIRST USED ON S/N 41700-1610

KEY NO	HYSTER PART NO	NAME OF PART	QTY		KEY NO	HYSTER PART NO	NAME OF PART	QTY	
			A	B				A	B
	272976	AXLE-STEERING	2	**	25	335810	WASHER-FLAT	2	1
	321994	AXLE-STEERING	**	2	24	275894	NUT-PINION	1	**
1	276786	CARRIER	1	**	24	335831	NUT-PINION	**	1
1	335624	CARRIER	**	1	25	15226	PIN-COTTER	1	1
1	335825	HOUSING/CAP	1	1	26	276790	NUT-LOCK	2	2
2	221636	CAPSCREW	4	4	27	276792	CUP-BEARING	2	**
3	276788	DOMEL	4	4	27	335827	CUP-BEARING	**	2
4	177950	LOCKWASHER	4	4	28	276791	CONE-BEARING	2	**
5	15034	NUT-JAM	1	1	29	335828	CONE-BEARING	**	2
6	276908	SCREW	1	1	29	185813	CAPSCREW	12	12
7	276804	PAD-THRUST	1	1	30	177949	LOCKWASHER	12	12
8	276891	STUD	6	6	31	276793	CASE/COVER	1	1
9	221357	LOCKNUT	10	10	32	276795	SET-GEAR/SPIDER	1	**
10	276794	GASKET	1	1	32	****	SET-GEAR/SPIDER	**	1
11	276892	STUD	4	4	33	335837	WASHER-THRUST	2	2
12	276783	DOMEL-TAPER	4	4	34	****	GEAR-S JOE	7	**
13	276855	BRACKET	1	1	34	335835	GEAR-SIDE	**	2
14	276905	STUD	6	6	35	335830	WASHER-THRUST	4	4
15	276856	DOMEL-TAPER	6	6	36	****	GEAR-PINION	4	**
16	15010	NUT	6	6	36	335834	GEAR-PINION	**	4
17	276798	WREN-LOCK	1	1	37	****	SPIDER	1	**
18	335832	BEARING-ROLLER	1	1	37	335836	SPIDER	**	1
19	275800	GEAR/PINION	1	**	38	16374	CAPSCREW	2	2
19	335829	GEAR/PINION	**	1	38	15145	LOCKWASHER	4	2
20	335833	BEARING-BALL	1	1	40	276780	LOCKNUT	2	2
21	275817	SEAL-OIL	1	1	41	276894	SOCKET	2	2
22	276811	WREN-ENO	1	1					

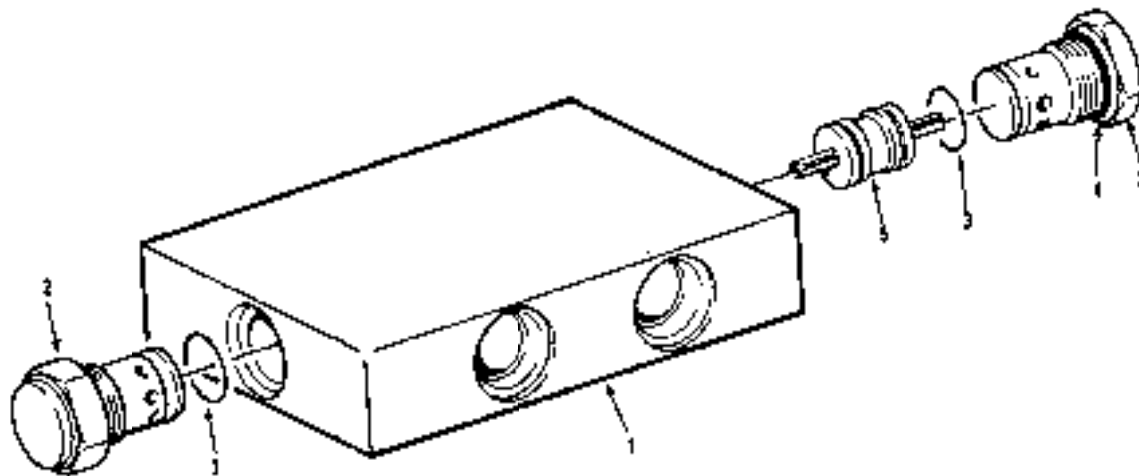
DRIVE-PLANETARY



REF	HYSTER	NAME OF PART	QTY	REF	HYSTER	NAME OF PART	QTY
NO	PART NO	1 2 3 4		NO	PART NO	1 2 3 4	
	272976	AXLE-STEERING	2	21	335014	GEAR-RING	2
	121494	AXLE-STEERING	2	21	276043	GEAR-RING	1
1	275030	SEAL-OTL	2	21	171050	PTH-SLOTTED	1
2	335011	SPINDLE	2	22	276844	SPACER-RING	2
2	276032	BUSHING	1	23	335015	GEAR-SLM	2
3	276097	STUD-LONG	16	23	276770	GEAR-SLM	2
3	276099	STUD-SHORT	8	24	276779	RING-RETAINER	2
4	276769	BUSHING	16	25	276846	FLANGE/GEAR	2
4	221709	WASHER-FLAT	4	25	*****	FLANGE-DRIVE	1
5	221353	LOCKNUT	24	25	335018	FLANGE-DRIVE	1
6	276830	MFB	2	26	15483	PLUG	1
7	30162	CUP-BEARING	1	27	276852	FITTING	1
8	231014	CUP-BEARING	1	28	15962	PLUG-FITTING	1
9	335013	STUD	10	29	15290	PLUG-FITTING	1
10	276836	STUD	12	30	276901	WASHER-SPACER	6
11	221623	CAPSCREW	12	31	276808	BEARING-NEEDLE	50
12	177450	LOCKWASHER	12	32	335010	GEAR-PLANETARY	1
13	276840	DRUM-BRAKE	1	33	335017	WASHER-THRUST	6
14	276035	SEAL-OTL	2	34	276902	PIN	3
15	200378	CONE-BEARING	2	35	276903	PIN-SPRING	3
16	271479	CONE-BEARING	2	36	276785	CONEL-TAPER	24
17	276841	NUT-WHEEL	20	37	221353	LOCKNUT	24
18	276845	GASKET	2				
19	276842	NUT-LOCK	2				
20	17984	CAPSCREW	2				

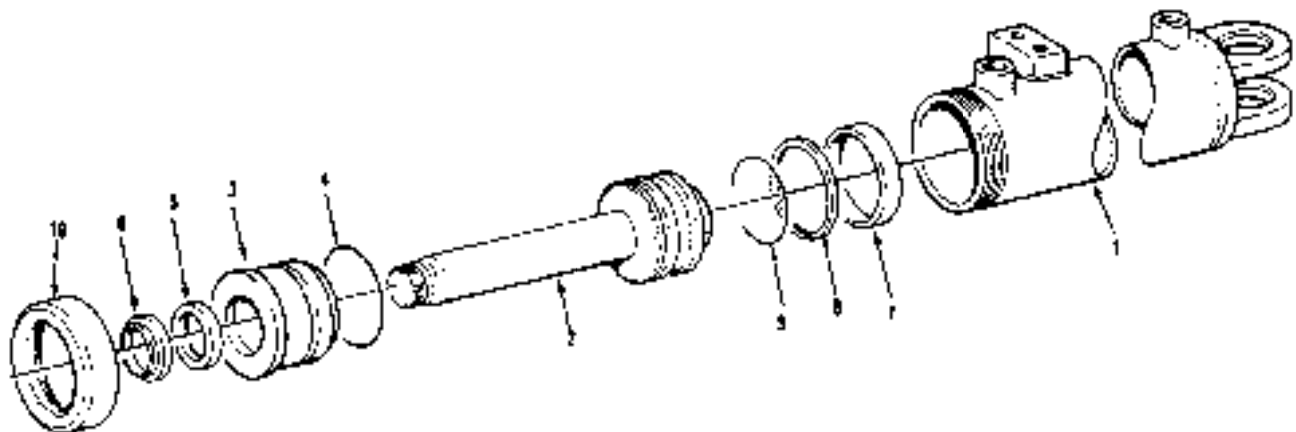
* LAST USED ON S/N 41799-1609

VALVE-DUAL PILOT CHECK



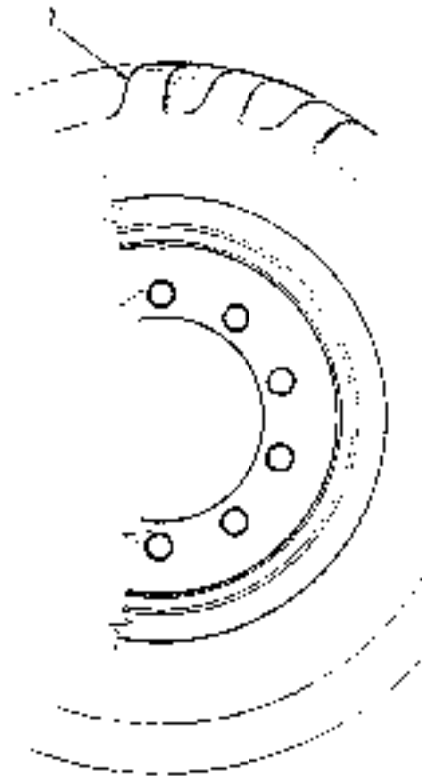
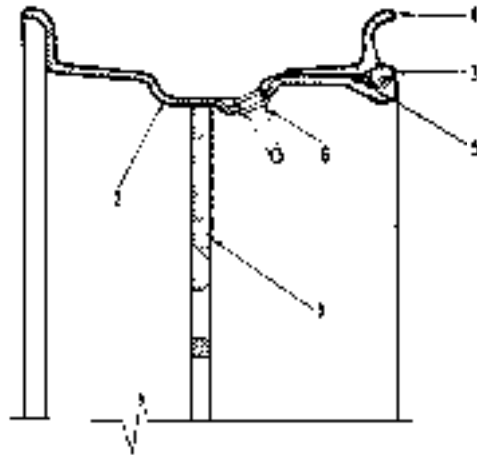
REF NO	HYSTER PART NO	NAME OF PART	QTY	REF NO	HYSTER PART NO	NAME OF PART	QTY
		1 2 3 4				1 2 3 4	
	313932	VALVE	1	4 *	*****	RING-BACK-UP	1
1	*****	BODY	1	5	323500	PISTON	1
2	323495	VALVE-CHECK	2				
3 *	*****	O-RING	1				
4 *	*****	O-RING	1				
						* INCLUDED IN SEAL KIT 323488	

CYLINDER-AXLE



REF NO	HYSTER PART NO	NAME OF PART	QTY	REF NO	HYSTER PART NO	NAME OF PART	QTY
		1 2 3 4				1 2 3 4	
	306828	CYLINDER-AXLE	1	7 *	*****	RING-WEAR	1
1	321755	SHELL	1	8 *	*****	SEAL-PISTON	1
2	321756	ROD	1	9 *	*****	O-RING	1
3	321757	GLAND	1	10	299895	COLLAR	1
4 *	*****	SEAL-GLAND	1				
5 *	*****	SEAL-ROD	1				
6 *	*****	WIPER-ROD	1				
						* INCLUDED IN SEAL KIT 321758	

TIRE/WHEEL



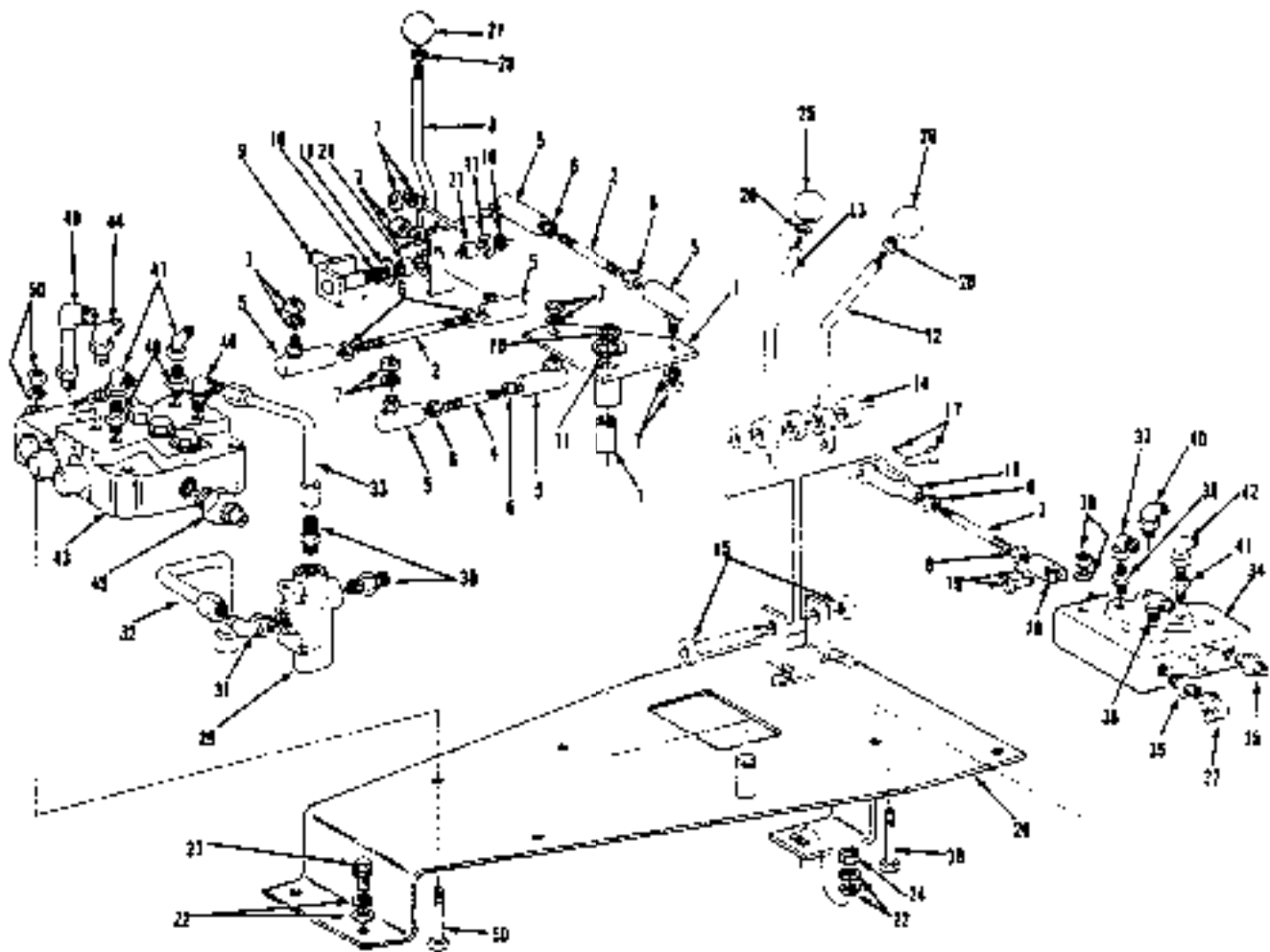
REF NO	HYSTER PART NO	NAME OF PART				QTY
		1	2	3	4	
	272996	RIM				4
1	*****	DISC-WHEEL				4
2	*****	RIM-BASE				4
3	276262	RING-LOCK				4
4	276263	FLANGE				4
5	276264	O-RING				4

REF NO	HYSTER PART NO	NAME OF PART				QTY
		1	2	3	4	
6	272995	VALVE				4
7	280019	TIRE				4
7	272998	TIRE				4
		* 13.00 K 24 8 PLY				
		* 13.00 K 24 12 PLY OPTIONAL				

HYDRAULIC

HYDRAULIC.....2005-2006
LINKAGE-HYDRAULIC CONTROL VALVES.....2003-2004
PUMP-HYDRAULIC.....2008
VALVE-CONTROL #000.....2007
VALVE-CONTROL FELT AND FRAME LEVEL.....2007

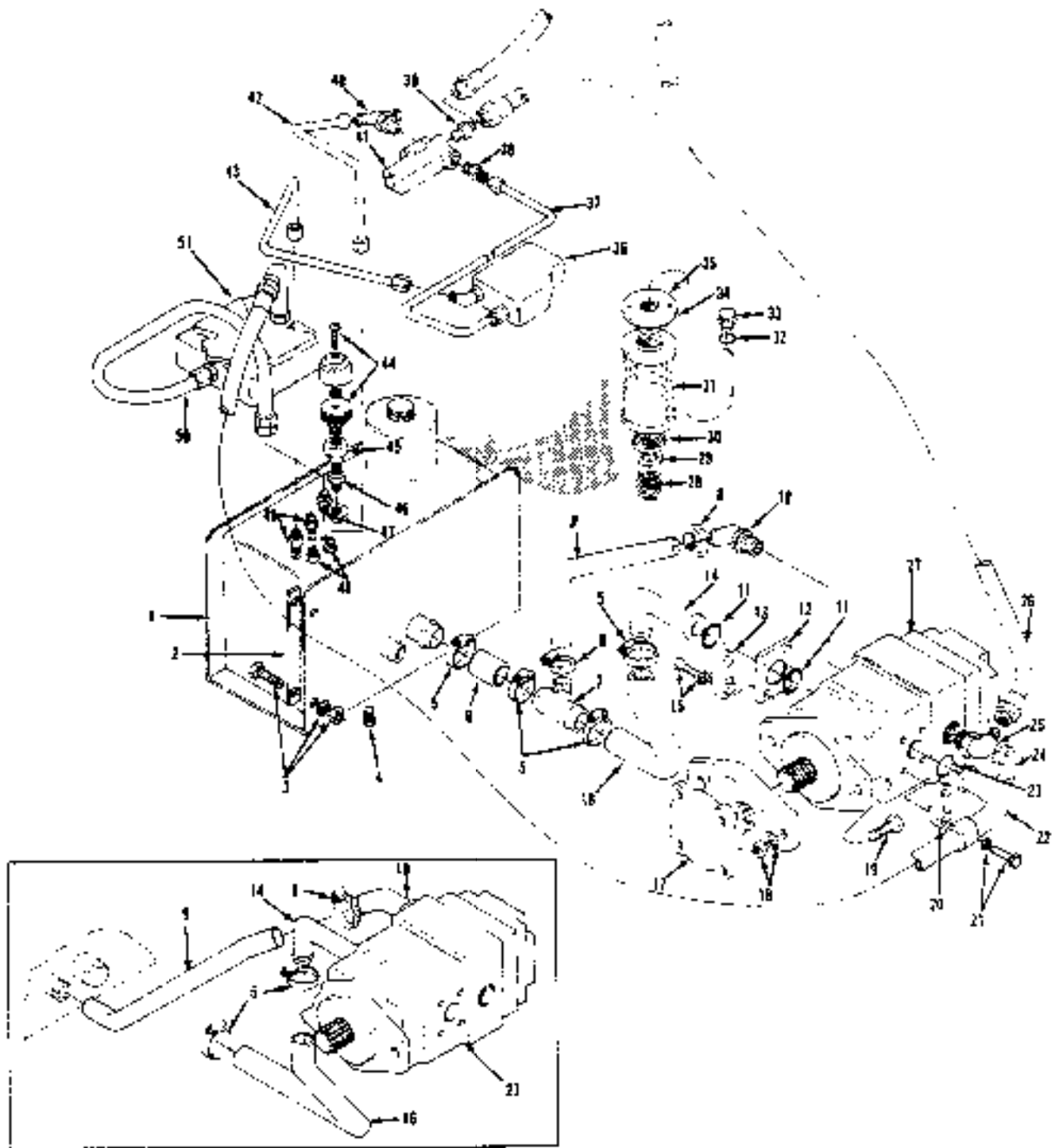
LINKAGE-HYDRAULIC CONTROL VALVES



LINKAGE-HYDRAULIC CONTROL VALVES

REF NO	HYSTER PART NO	NAME OF PART 1 2 3 4	QTY	REF NO	HYSTER PART NO	NAME OF PART 1 2 3 4	QTY
1	311628	CRANK	1	31	16560	FITTING	1
1	205923	BUSHING	2	31	16483	O-RING	1
2	318442	LINK	2	32	319259	TUBE	1
3	318443	LINK	2	33	319251	TUBE	1
4	318441	LINK	1	34	*****	VALVE TILT SEE ZCOT	1
5	104547	JOINT-BALL HW	6				
6	15025	NUT-JAM	10	35	16541	FITTING	2
7	15005	NUT	6	35	16484	O-RING	1
7	15155	LOCKWASHER	6	36	96521	FITTING	1
8	318430	LEVER-HAND	1	36	16484	O-RING	1
8	205923	BUSHING	2	37	16989	FITTING	2
9	318427	BRACKET	1	38	151460	CONNECTOR	1
10	56929	RING-SRAP	5	38	16484	O-RING	1
11	311635	WASHER	5	39	16471	CAPSCREW	2
12	327127	LEVER	1	39	221341	LOCKNUT	2
13	327128	LEVER	1	39	15127	WASHER-FLAT	2
14	307876	SPACER	3	40	16550	FITTING	1
15	151495	SCREW	1	40	16483	O-RING	1
15	722671	LOCKNUT	1	41	16540	FITTING	1
16	138	END-ROD	2	41	16483	O-RING	1
17	139	PIN	2	42	16883	FITTING	1
17	15211	PIN-COTTER	2	43	*****	VALVE BOOM SEE ZCOT	1
18	307890	END-ROD	2				
19	307889	PIN	2	44	164761	FITTING	1
19	15200	PIN-COTTER	2	44	16487	O-RING	1
20	318438	PLATE	1	45	16544	FITTING	1
21	205923	BUSHING	2	45	16487	O-RING	1
22	15176	WASHER-FLAT	4	46	201784	FITTING	1
22	15156	LOCKWASHER	4	46	16485	O-RING	1
23	16805	CAPSCREW	2	47	16882	FITTING	2
24	15056	NUT	2	48	201783	FITTING	2
25	281597	KNOB-TILT	1	49	16485	O-RING	1
26	281598	KNOB-LEVEL	1	49	201761	FITTING	1
27	190441	KNOB	1	49	16488	O-RING	1
28	15026	NUT-JAM	3	50	16741	CAPSCREW	3
29	311646	VALVE	1	50	145641	NUT-LOCK	3
30	16542	FITTING	2	50	15134	WASHER	3
30	16485	O-RING	1				

HYDRAULIC



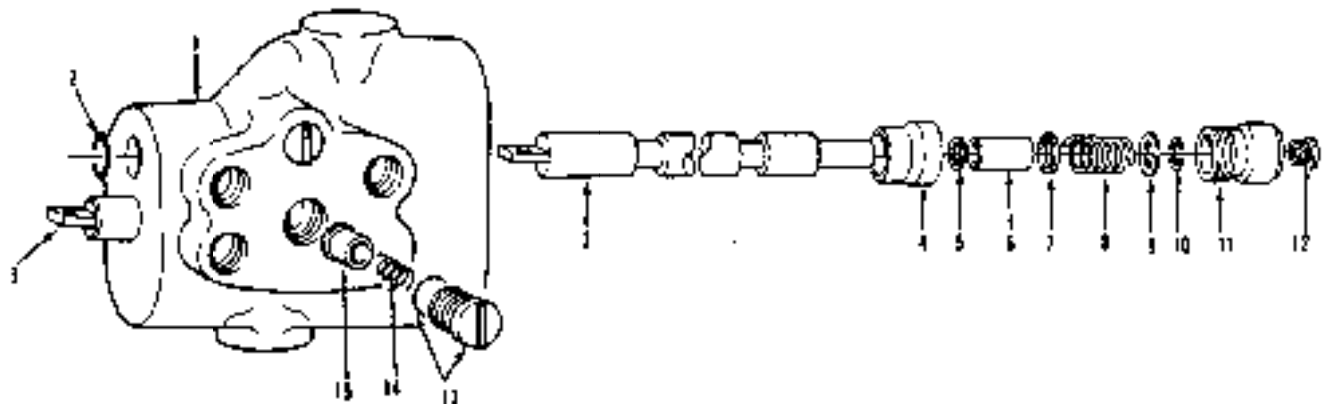
HYDRAULIC

REF
A-GASOLINE
B-DIESEL

REF NO	HYSTER PART NO	NAME OF PART 1 2 3 4	QTY		REF NO	HYSTER PART NO	NAME OF PART 1 2 3 4	QTY	
			A	B				A	B
1	311734	TANK	1	1	27	*****	PUMP-HYDRAULIC SEE 2C05	1	1
2	311491	PLATE	2	2	28	190784	SPRING	1	1
3	15411	CAPSCREW	4	4	29	190785	WASHER	1	1
4	15158	LOCKWASHER	4	4	30	181941	SEAL	1	1
5	15058	NUT	4	4	31	140746	FILTER	1	1
6	14388	PLUG-FITTING	1	1	32	16447	O-RING	1	1
7	119236	CLAMP	4	2	33	311740	DISK/STICK	1	1
8	70623	HOSE	1	**	34	39742	O-RING	1	1
9	224825	FITTING	1	**	35	190787	HEAD-FILTER	1	1
10	177045	CLAMP	2	2	36	*****	VALVE LEVEL SEE 2C07	1	1
11	77297	HOSE	1	**	37	323263	TUBE	1	1
12	101221	HOSE	**	1	38	201752	FITTING	1	1
13	112470	FITTING	1	1	39	16484	O-RING	1	1
14	79900	O-RING	2	2	40	142082	FITTING	1	1
15	324617	FLANGE-O-RING	1	1	41	16486	O-RING	1	1
16	17764	FITTING-FLANGE	2	2	42	16578	FITTING	1	1
17	298127	ELBOW	1	1	43	14485	O-RING	1	1
18	18501	CAPSCREW	4	4	44	311640	VALVE	1	1
19	15157	LOCKWASHER	4	4	45	323262	TUBE	1	1
20	273080	HOSE	1	1	46	319256	TUBE	1	1
21	*****	PUMP-3000 SEE 2A14	1	1	47	75449	FILTER	1	1
22	15158	LOCKWASHER	2	2	48	78122	ELEMENT	1	1
23	15158	NUT	2	2	49	15152	LOCKWASHER	1	1
24	18584	CAPSCREW	2	2	50	16704	SCREW	2	2
25	304948	FLANGE	1	1	51	12829	COUPLER-FITTING	1	1
26	18828	CAPSCREW	4	4	52	12033	FITTING-NIPPLE	1	1
27	15158	LOCKWASHER	4	4	53	16544	FITTING	1	1
28	320828	HOSE	1	1	54	16487	O-RING	1	1
29	156889	O-RING	1	1	55	16541	FITTING	2	2
30	190757	FLANGE	1	1	56	16484	O-RING	1	1
31	16561	FITTING	1	1	57	200150	FITTING	2	2
32	16486	O-RING	1	1	58	14485	O-RING	1	1
33	82861	HOSE	1	**	59	323272	TUBE	1	1
34	112478	HOSE SEE 2E14	**	1	60	*****	VALVE BOOM SEE 2C07	1	1
35	328095	TUBE SEE 2E17	**	1					

VALVE-CONTROL

TILT AND FRAME LEVEL



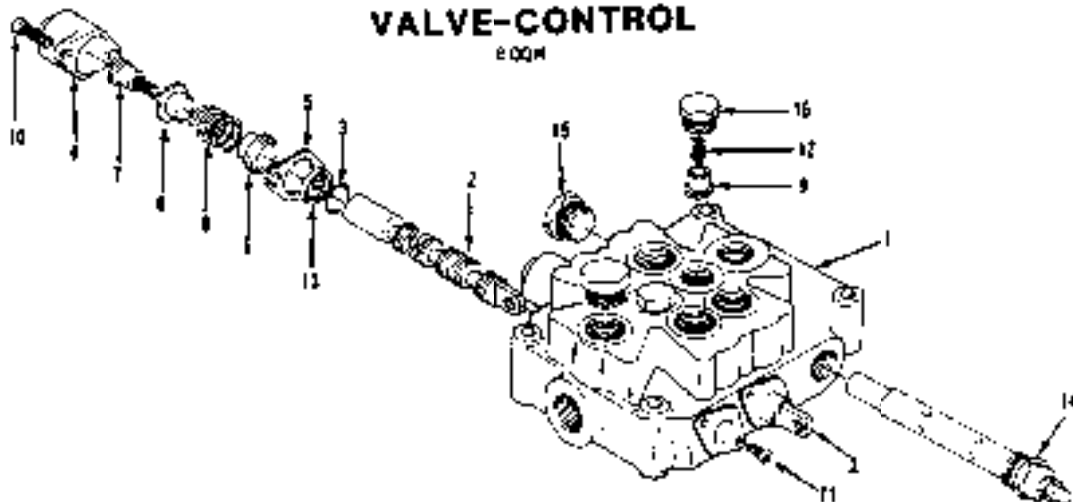
REF NO	HYSTER PART NO	NAME OF PART	QTY
	301540	VALVE	1
1	*****	BODY	1
2	60653	O-RING	4
3	*****	SPOOL	2
4	321432	BUSHING	2
5	321439	WASHER	2
6	321431	SPACER	2
7	321440	WASHER	2
8	321434	SPRING	2
9	321438	WASHER	2

REF NO	HYSTER PART NO	NAME OF PART	QTY
10	209429	RING-RETAINER	2
11	321433	CAP	2
12	321436	SUCTION	2
13	321435	PLUG	2
14	243585	O-RING	1
14	321430	SPRING	2
15	321429	PLUNGER	2

* INCLUDED IN SEAL KIT 321437

VALVE-CONTROL

ROOM

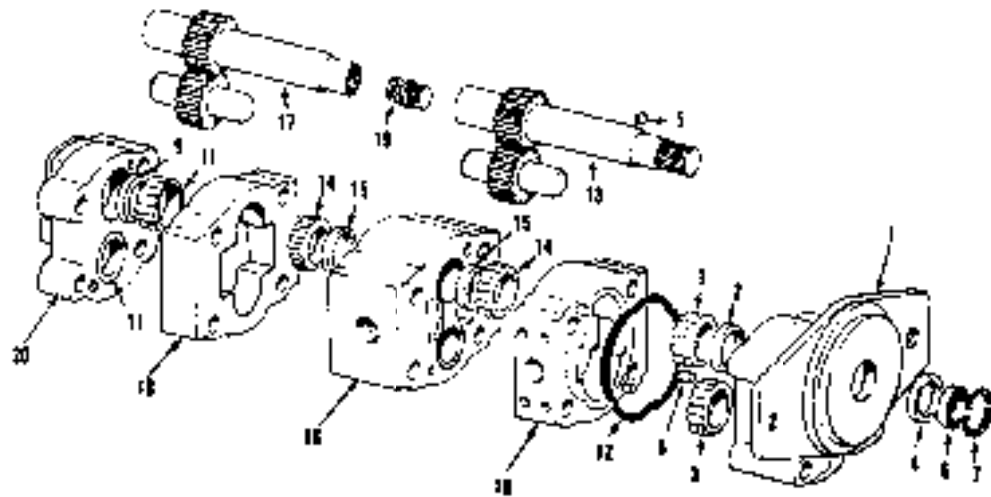


REF NO	HYSTER PART NO	NAME OF PART	QTY
	311646	VALVE	1
1	*****	HOUSING	1
2	*****	PLUNGER	2
3	*****	O-RING	2
4	274428	CAP	2
5	*****	PLATE-SEAL	2
6	274427	SEAT-SPRING	2
7	274448	CAPSCREW	4
8	323445	SPRING	2
9	27443	PUPPET	2

REF NO	HYSTER PART NO	NAME OF PART	QTY
10	77445	CAPSCREW	4
11	18706	SCREW	4
12	77442	SPRING	2
13	*****	WIPER/RING	2
14	274433	VALVE-RELIEF	1
15	255148	PLUG	1
16	274430	PLUG	2

* INCLUDED IN SINGLE SPOOL KIT 330835

PUMP-HYDRAULIC

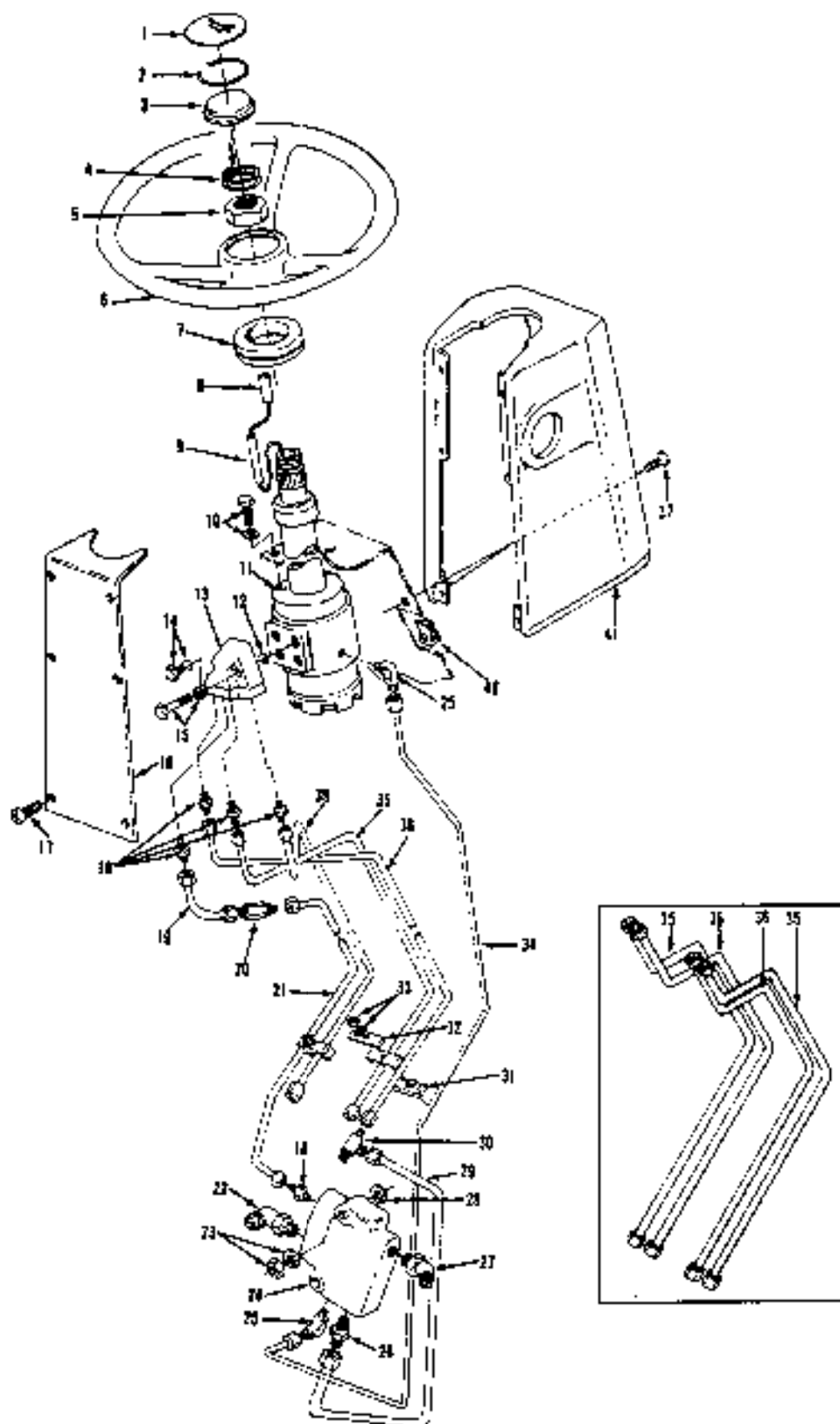


REF NO	HYSTER PART NO	NAME OF PART 1 2 3 4	QTY	REF NO	HYSTER PART NO	NAME OF PART 1 2 3 4	QTY
1	302740	PUMP-HYDRAULIC	1	11	176176	BEARING-ROLLER	2
2	176173	COVER-SHAFT END	1	12	176173	SEAL	4
3	176176	RING-SEAL	1	13	311278	SET-GEAR	1
4	176149	BEARING-ROLLER	2	14	176176	BEARING-ROLLER	4
5	176172	SEAL	1	15	176175	RING-SEAL	2
6	311276	SEAL	24	16	-----	CARRIER-BEARING	1
7	311277	BEARING-BALL	1	17	311279	SET-GEAR	1
8	176154	RING-SMAP	1	18	-----	HOUSING-GEAR	1
9	176175	PLUG	1	18	-----	PIN-DOWEL	6
10	-----	RING-SEAL	1	19	311280	SHAFT	1
10	-----	HOUSING-GEAR	1	20	-----	COVER-PORT END	1
10	-----	PIN-DOWEL	6				

STEERING/LINKAGE

CONTROL-STEERING.....	2003-2004
CYLINDER-STEERING.....	2007
PIPES-STEERING.....	2009
PUMP-HAND/COLUMN-STEERING.....	2009
PUMP-STEERING.....	2006
VALVE-PRIORITY.....	2007
VALVE-STEERING SELECTOR.....	2008

CONTROL-STEERING

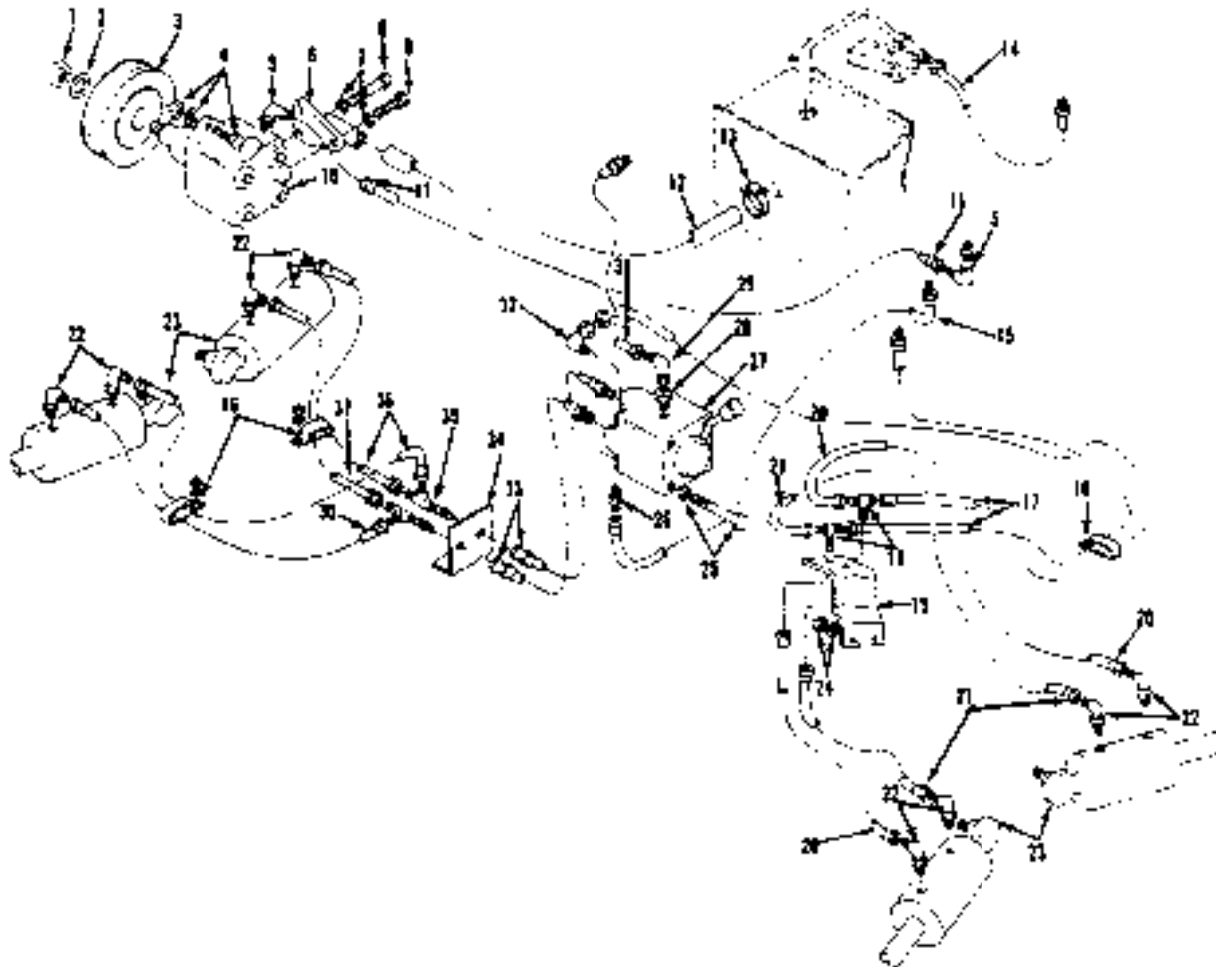


CONTROL-STEERING

KEY
A-GASOLINE
D-DIESEL

REF NO	HYSTER PART NO	NAME OF PART 1 2 3 4	QTY		REF NO	HYSTER PART NO	NAME OF PART 1 2 3 4	QTY	
			A	D				A	D
1	189190	COVER-SWITCH	1	1	22	16561	FITTING	**	1
2	189169	RING-LOCK	1	1	22	16486	O-RING	**	1
3	189168	SWITCH-HORN	1	1	23	15055	NUT	2	2
4	189127	SPRING-CONTACT	1	1	23	15155	LOCKWASHER	2	2
5	161865	NUT	1	1	24	*****	VALVE-PRIORITY	**	1
6	189186	WHEEL-STEERING	1	1			SEE 2007		
7	247140	GROMMET	1	1	25	16556	FITTING	**	2
8	42958	CONNECTOR	1	1	25	16481	O-RING	**	1
9	270952	HOSE	1	1	26	319698	FITTING	**	1
		SEE 2E14			27	16570	FITTING	**	1
10	16815	CAPSCREW	2	2	27	16486	O-RING	**	1
10	15156	LOCKWASHER	2	2	28	177947	LOCKWASHER	**	2
11	*****	PUMP	1	1	29	319274	TUBE	**	1
		SEE 2000			30	14561	FITTING	**	1
12	39373	O-RING	4	4	31	219302	CLAMP	4	4
13	247111	MANIFOLD	1	1	32	193503	PLATE	2	2
14	14989	PLUG	1	1	33	15095	NUT	2	2
14	16484	O-RING	1	1	33	15139	LOCKWASHER	2	2
15	16310	CAPSCREW	2	2	34	319678	TUBE	**	1
15	177947	LOCKWASHER	2	2	35	311690	TUBE	2	1
16	247142	PLATE-ACCESS	1	1	36	311691	TUBE	2	**
17	264078	SCREEN	6	6	37	16362	CAPSCREW	4	4
18	16541	FITTING	5	5	38	319677	TUBE	**	1
18	16484	O-RING	1	1	39	319676	TUBE	**	1
19	319679	TUBE	**	1	40	247141	NUT-SPEED	4	4
20	319692	VALVE-CHECK	**	1	41	247110	HOUSING	1	1
21	319675	TUBE	**	1					

PIPES-STEERING



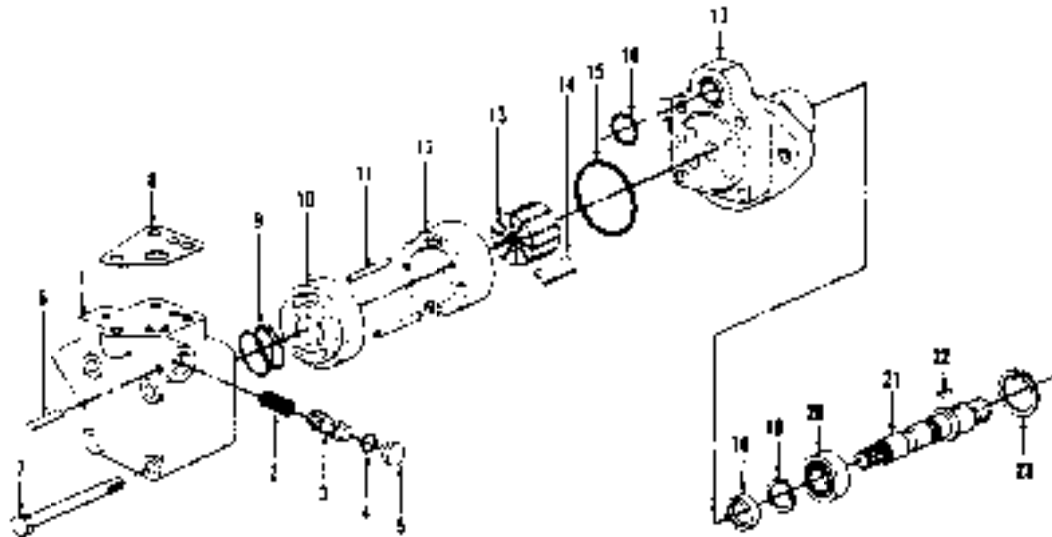
KEY
A-GASOLINE
B-DIESEL

REF NO	HYSTER PART NO	NAME OF PART 1 2 3 4	QTY	
			A	B
1	138750	LOCKNUT	1	AA
2	15135	WASHER-FLAT	1	AA
3	178876	SWEAVE	1	AA
4	221501	CAPSCREW	1	AA
4	15156	LOCKWASHER	1	AA
4	171911	NUT	1	AA
5	17167	FITTING	1	AA
5	16484	O-RING	1	AA
6	272024	INLET-PUMP	1	AA
7	15154	LOCKWASHER	3	AA
8	18971	CAPSCREW	2	AA
9	18462	CAPSCREW	1	AA
10	*****	PUMP-STEERING SEE 2006	1	AA
11	119696	HOSE	1	AA
12	273100	HOSE	1	AA
13	127045	CLAMP	2	AA
14	313990	HOSE	1	AA
14	319691	HOSE	1	AA
15	71469	HOSE	1	B
16	251994	CLAMP	3	B
16	15155	LOCKWASHER	3	B
16	15055	NUT	3	B
17	229166	HOSE	2	B
18	16475	FITTING	2	B
19	273019	BRACKET	1	B

REF NO	HYSTER PART NO	NAME OF PART 1 2 3 4	QTY	
			A	B
20	273016	HOSE	2	B
21	273012	HOSE	2	B
22	14550	FITTING	8	B
22	16493	O-RING	1	B
23	*****	CYLINDER-STEER SEE 2007	4	B
24	15156	LOCKWASHER	2	B
24	15056	NUT	2	B
25	16828	CAPSCREW	4	B
25	15158	LOCKWASHER	4	B
26	131460	CONNECTOR	4	B
26	16494	O-RING	1	B
27	*****	VALVE SEE 2007	1	B
28	14504	FITTING	1	B
29	28584	CONNECTOR	1	B
30	299771	HOSE	1	B
31	319263	HOSE	1	B
32	16489	FITTING	4	B
33	151508	HOSE	2	B
34	299770	BRACKET	1	B
35	320641	FITTING	2	B
36	311793	HOSE	2	B
37	273017	HOSE	1	B

* SEE BUCK HOSE CHART 2E14

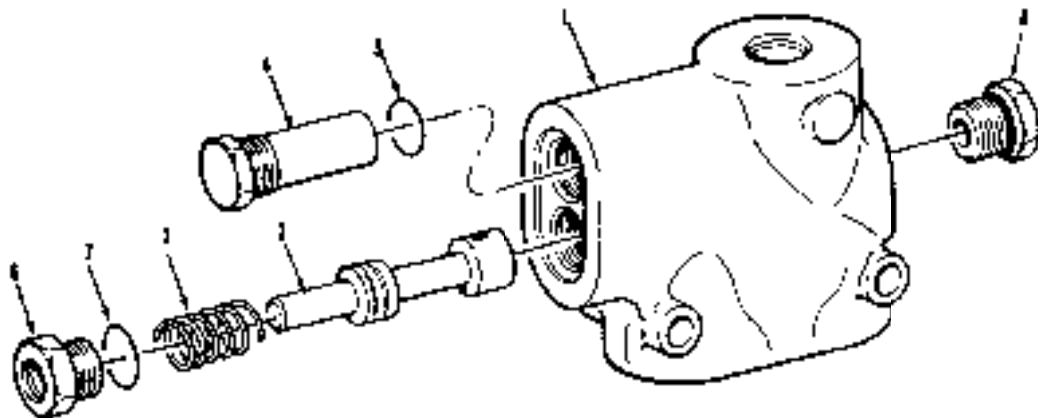
PUMP-STEERING



REF NO	HYSTER PART NO	NAME OF PART	QTY	REF NO	HYSTER PART NO	NAME OF PART	QTY
	284906	PUMP	1	13	*****	ROTOR	1
1	*****	BODY	1	14	*****	KIT-YANE	1
2	236024	SPRING	1	15	* *****	O-RING	1
3	147221	VALVE-CONTROL	1	16	* 176039	O-RING	1
4	* 176037	O-RING	1	17	*****	BODY	1
5	192324	PLUG	1	17	275721	BEARING	1
6	236026	PIN	1	18	* 176040	SEAL	1
7	18540	CAPSCREW	4	19	16900V	RING-SNAP	3
8	* 119963	GASKET	1	20	97847	BEARING	1
9	96952	SPRING	1	21	97846	SHAFT	1
10	131816	PLATE-PRESSURE	1	22	32033	KEY-WOODRUFF	1
11	54167	PIN	2	23	197600	RING-SNAP	3
12	147526	KIT-CARTRIDGE	1				
12	*****	RING	1				

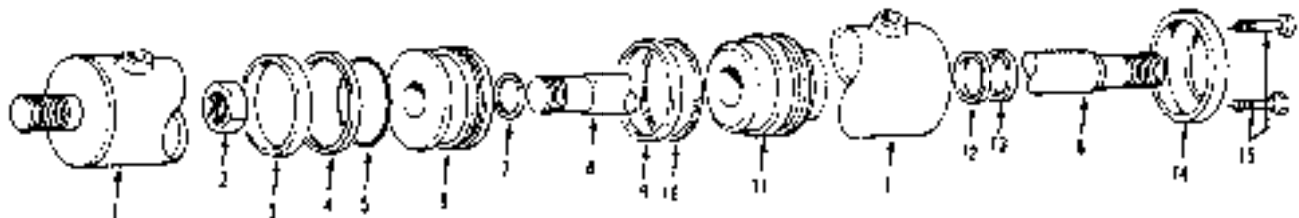
* INCLUDED IN SEAL KIT 133821

VALVE-PRIORITY



REF NO	HYSTER PART NO	NAME OF PART				QTY	REF NO	HYSTER PART NO	NAME OF PART				QTY
		1	2	3	4				1	2	3	4	
	314097	VALVE				1	6	323226	PLUG				1
1	*****	HOUSING				1	7	161874	O-RING				1
2	*****	SPOOL				1	8	323227	PLUG				1
3	322574	SPRING				1							
4	323225	CARTRIDGE				1							
5	150853	O-RING				1							

CYLINDER-STEERING

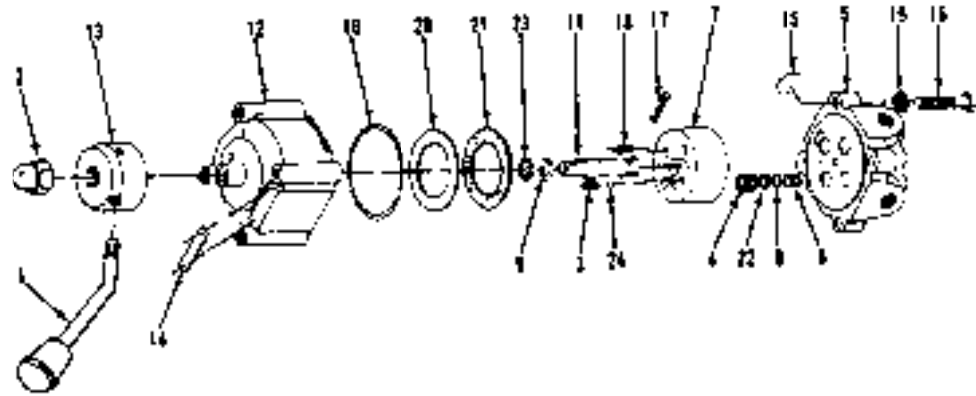


PACKING LUBRICANT
PART NO. 180001

KEY
A—LAST USED ON S/N 41799-1609
B—FIRST USED ON S/N 41799-1610

REF NO	HYSTER PART NO	NAME OF PART				QTY		REF NO	HYSTER PART NO	NAME OF PART				QTY	
		1	2	3	4	A	B			1	2	3	4	A	B
	281576	CYLINDER				4	**	10	**	SEAL				1	L
	321495	CYLINDER				**	4	11	281818	PISTON				1	**
1	281816	SHELL				1	**	11	334993	PISTON				**	L
1	334991	SHELL				**	1	12	**	SEAL-RD				1	L
2	53156	LOCKNUT				1	1	13	**	WIPER-RD				1	L
3	**	STRIP-WEAR				1	1	14	281821	RING-LOCK				1	**
4	**	SEAL-PISTON				1	1	14	334996	LOCKRINGS				**	1
5	**	O-RING				1	1	15	220496	SCREW				2	2
6	281820	RETAINER				1	**			* INCLUDED IN SEAL KIT 334997 FOR CYLINDER 321495					
6	334995	RETAINER				**	1			* INCLUDED IN SEAL KIT 281822 FOR CYLINDER 281576					
7	**	SEAL-RD				1	1								
8	281817	RD				1	**								
8	334992	RD				**	1								
9	**	SEAL				1	1								

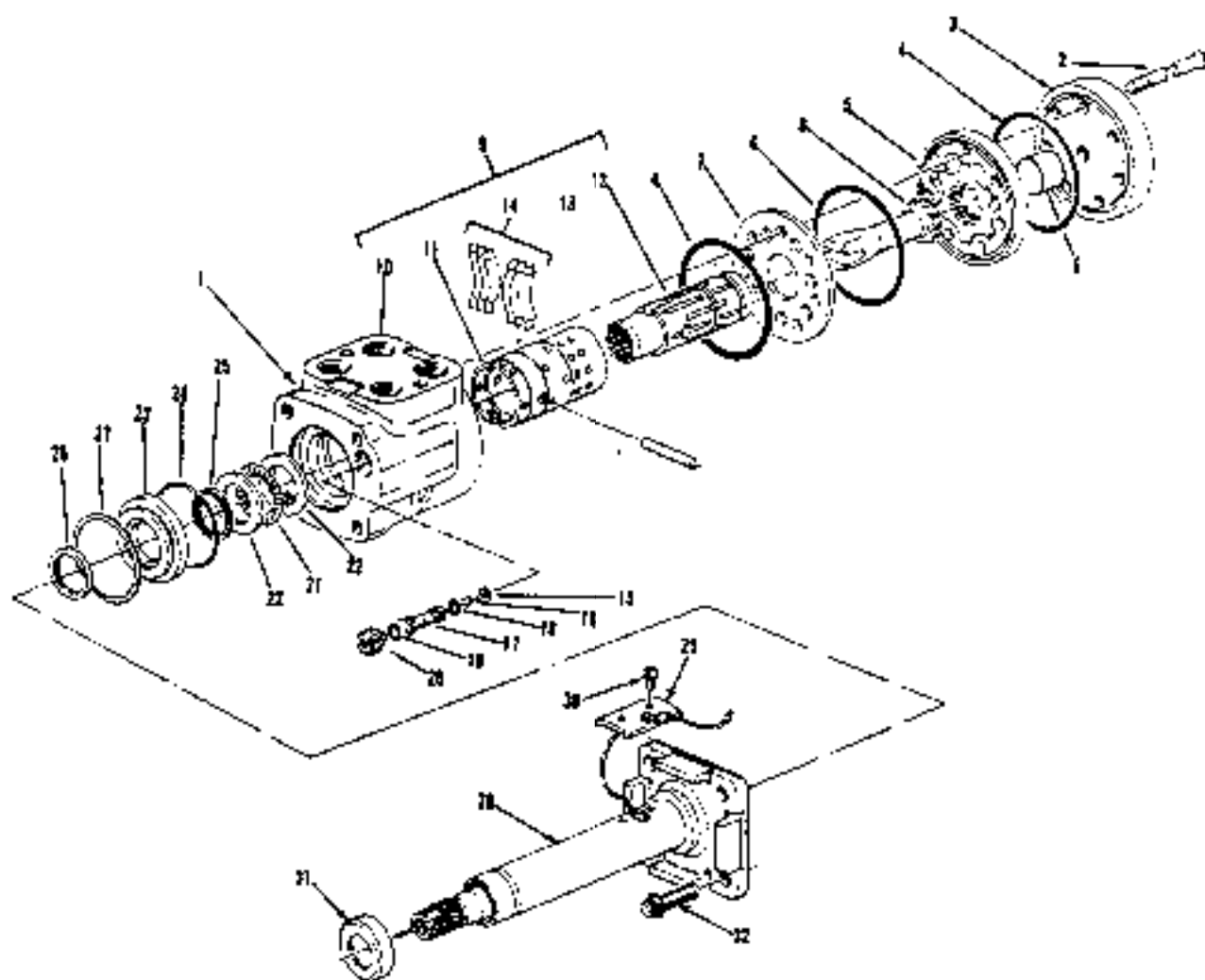
VALVE-STEERING SELECTOR



REF NO	HYSTER PART NO	NAME OF PART 1 2 3 4	QTY	REF NO	HYSTER PART NO	NAME OF PART 1 2 3 4	QTY
	327465	VALVE	1	14	*****	NAMEPLATE	1
1	333403	HANDLE	1	15	*****	DECAL-MARKING	1
2	333402	NUT-SPECIAL	1	16	*****	CAPSCREW	4
3	*****	SPRING-DETENT	1	17	*****	PIN-ROLL	1
4	*****	SEAL-OIL	4	18	*****	PIN-ROLL	1
5	*****	BODY	1	19	*****	WASHER	4
6	*****	SPRING-SEAL	4	20	*****	WASHER-THRUST	1
7	*****	ROTOR	1	21	*****	BEARING-THRUST	1
8	*****	SEAL-O-RING	4	22	*	RING-BACK-UP	1
9	*****	O-RING	1	23	*	RING-BACK-UP	1
10	*****	O-RING	1	24	*****	BALL-DETENT	1
11	*****	SHAFT	1				
12	*****	HOUSING-DETENT	1				
13	*****	HUB-DETENT	1				

* INCLUDED IN SEAL KIT 275912

PUMP-HAND/COLUMN-STEERING



KEY
 A-DIESEL
 B-GASOLINE

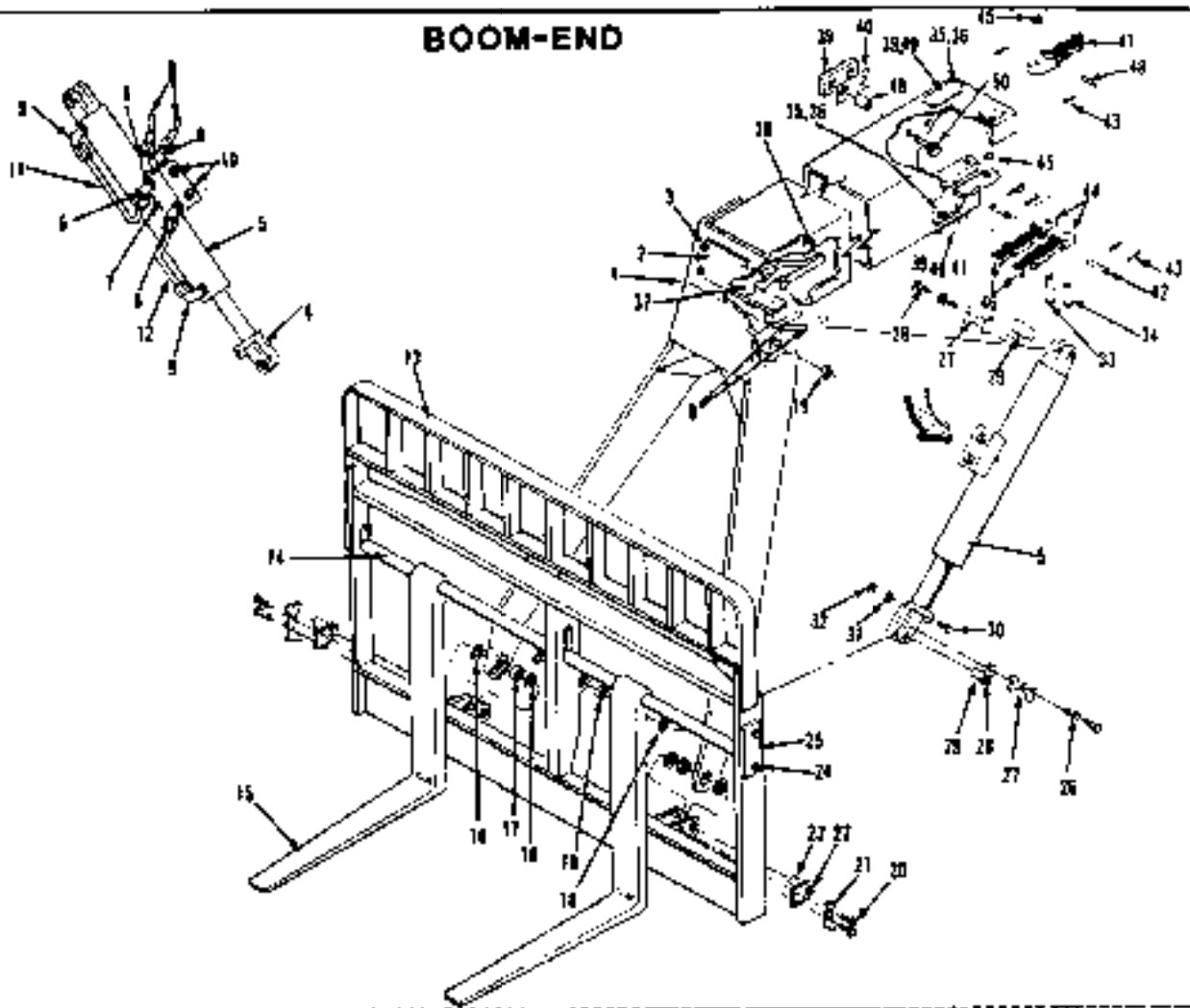
REF NO	HYSTER PART NO	NAME OF PART 1 2 3 4	QTY		REF NO	HYSTER PART NO	NAME OF PART 1 2 3 4	QTY	
			A	B				A	B
	319690	PUMP/COLUMN	1	A	16	291422	BALL	1	1
	287024	PUMP/COLUMN	A	A	17	291420	SEAT-CHECK	1	1
1	326999	PUMP-HAND	1	A	18	+ *****	O-RING	1	1
1	290500	PUMP-HAND	A	A	19	+ *****	O-RING	1	1
2	277186	CAPSCREW	7	B	20	291421	SCREW-SET	1	1
3	326996	CAP-END	1	A	21	209027	BEARING	1	1
3	291414	CAP-END	A	A	22	271200	WEE-BEARING	2	2
4	*****	-RING	3	B	23	258172	BUSHING	1	1
5	290500	SET-GEAR	1	A	24	+ *****	O-RING	1	1
6	243866	SPACER	1	A	25	+ *****	O-RING	1	1
7	291410	PLATE	1	A	26	+ *****	SEAL-OIL	1	1
8	158832	DRIVE	1	A	27	258171	RING-RETAINER	1	1
9	326997	CONTROL-PARTS	1	A	28	292700	COLUMN	1	1
9	292793	CONTROL-PARTS	A	A	29	277101	BRUSH-HORN	1	1
10	*****	HOUSING	1	A	30	326998	SCREW	2	2
11	*****	SLEEVE	1	A	31	292792	CAP-DUFR	1	1
12	*****	SPOOL	1	A	32	159812	CAPSCREW	2	2
13	158839	PIN	1	A					
14	142724	KIT-SPRING	1	A					
15	291418	RETAINER	1	A					

+ INCLUDED IN SEAL KIT 314993

BOOM

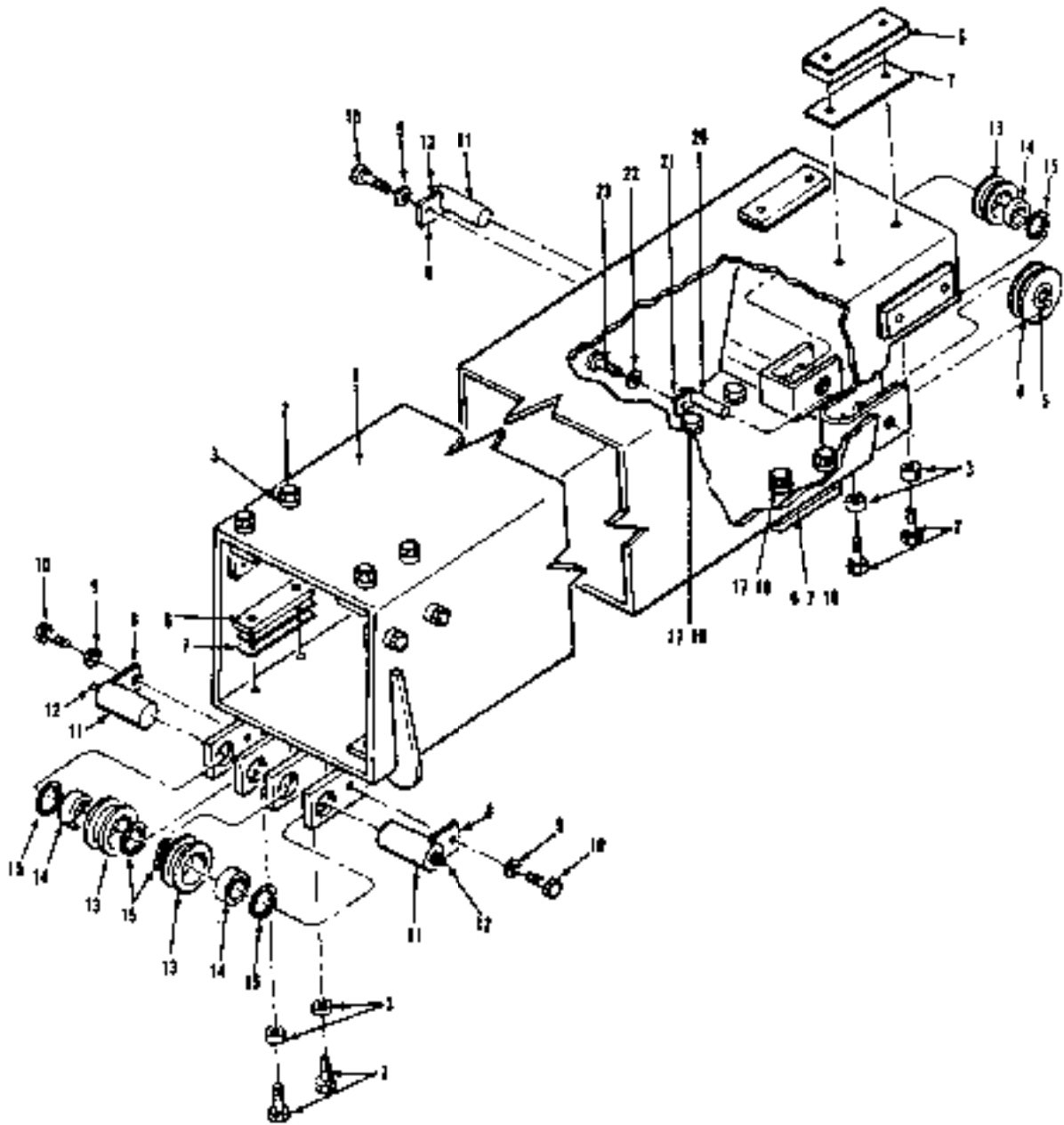
BOOM-END.....ZE03
 BOOM-INTERMEDIATE.....ZE04
 BOOM-OUTER.....ZE09
 BRDNG.....ZE06
 CYLINDER-BOOM.....ZE10
 CYLINDER-ERDNG.....ZE11
 CYLINDER-TILT.....ZE11
 CYLINDER-TILT OUTER BOOM.....ZE10
 HOSE-BULK/FITTING.....ZE14
 PIPES-BOOM CHASSIS.....ZE07
 PIPES-CRUMB CHASSIS.....ZE08
 PIPES-TILT CHASSIS.....ZE09
 VALVE-DUAL MOTION CONTROL.....ZE13
 VALVE-MOTION CONTROL.....ZE12
 VALVE-RELIEF/CHECK.....ZE12
 VALVE-TILT.....ZE13

BOOM-END



REF NO	HYSTER PART NO	NAME OF PART	QTY	REF NO	HYSTER PART NO	NAME OF PART	QTY
1	311566	BOOM-END	1	23	311817	PIN	2
2	318444	PLATE	1	24	16830	CAPSCREW	4
3	16836	CAPSCREW	4	24	15158	LOCKWASHER	4
3	15158	LOCKWASHER	4	25	280005	PLATE	2
4	121210	END-ROD	1	26	16805	CAPSCREW	4
5	*****	CYLINDER-TILT SEE 2611	1	27	53039	PLATE-LOCK	2
6	18568	FITTING	4	28	16001	FITTING-GREASE	2
6	16484	O-RING	1	29	311842	PIN	2
7	*****	VALVE-TILT SEE 2613	1	30	16592	CAPSCREW	1
8	313970	NUSE SEE 2614	2	31	15158	LOCKWASHER	1
9	18559	FITTING	2	32	15058	NUF	1
9	16484	O-RING	1	33	321205	PIN	1
10	18542	CAPSCREW	2	34	311788	PIN	1
10	15156	LOCKWASHER	2	35	311804	COLLAR	8
11	31398A	TUBE	1	36	178348	CAPSCREW	8
12	313985	TUBE	1	37	16458	FITTING	2
13	311844	CARRIAGE	1	38	327430	HOSE	1
14	311840	PIN	1	39	322280	SHOE-WEAR	4
15	311867	FORK-48 (NCH)	2	40	311801	SMIN-4002	AR
15	319250	FORK-60 (NCH)	2	41	311802	SMIN-4500	AR
16	311898	WASHER	AR	42	307514	PIN	2
17	178015	BUSHING	2	43	15213	PIN-COTTER	6
18	321212	WASHER	2	44	311786	ANCHOR	3
19	178017	BUSHING	2	45	131358	RING-SNAP	2
20	16597	CAPSCREW	4	46	311784	CHAIN	2
21	53039	PLATE-LOCK	2	47	311783	CHAIN	1
22	16041	FITTING-GREASE	2	48	317343	PIN	1
				49	311806	COLLAR	4
				50	12479	CAPSCREW	4

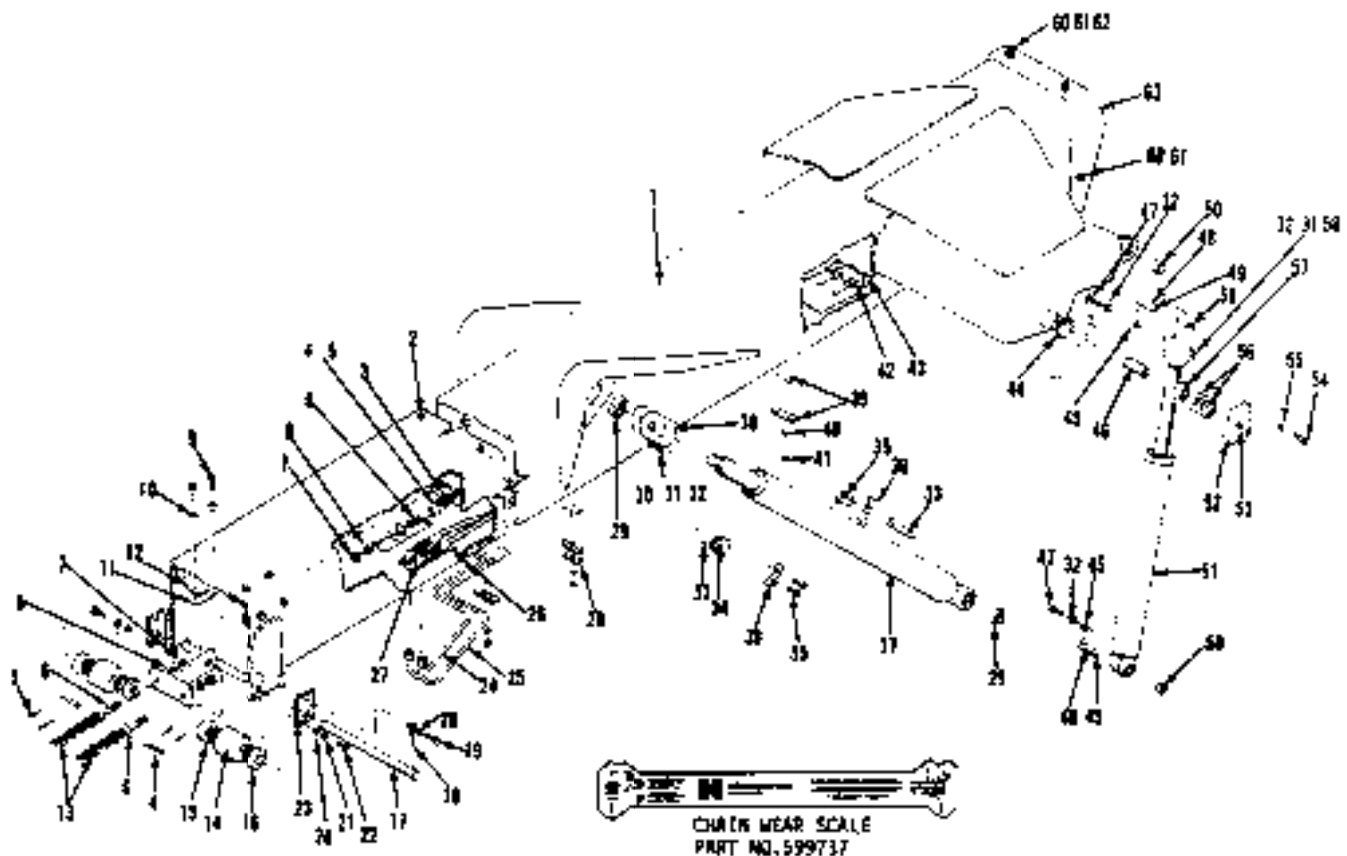
BOOM-INTERMEDIATE



REF NO	HYSTER PART NO	NAME OF PART	QTY
1	306849	BOOM-INTER	1
2	16804	CAPSCREW	20
3	311804	COLLAR	20
4	311855	SHEAVE	1
5	306840	BUSHING	1
6	322200	SHOE-WEAR	12
7	311801	CHIM-40x2	88
8	311790	KEEPER	3
9	15156	LOCKWASHER	3
10	18535	CAPSCREW	3
11	311729	PIN	3
12	16001	FITTING-GREASE	3

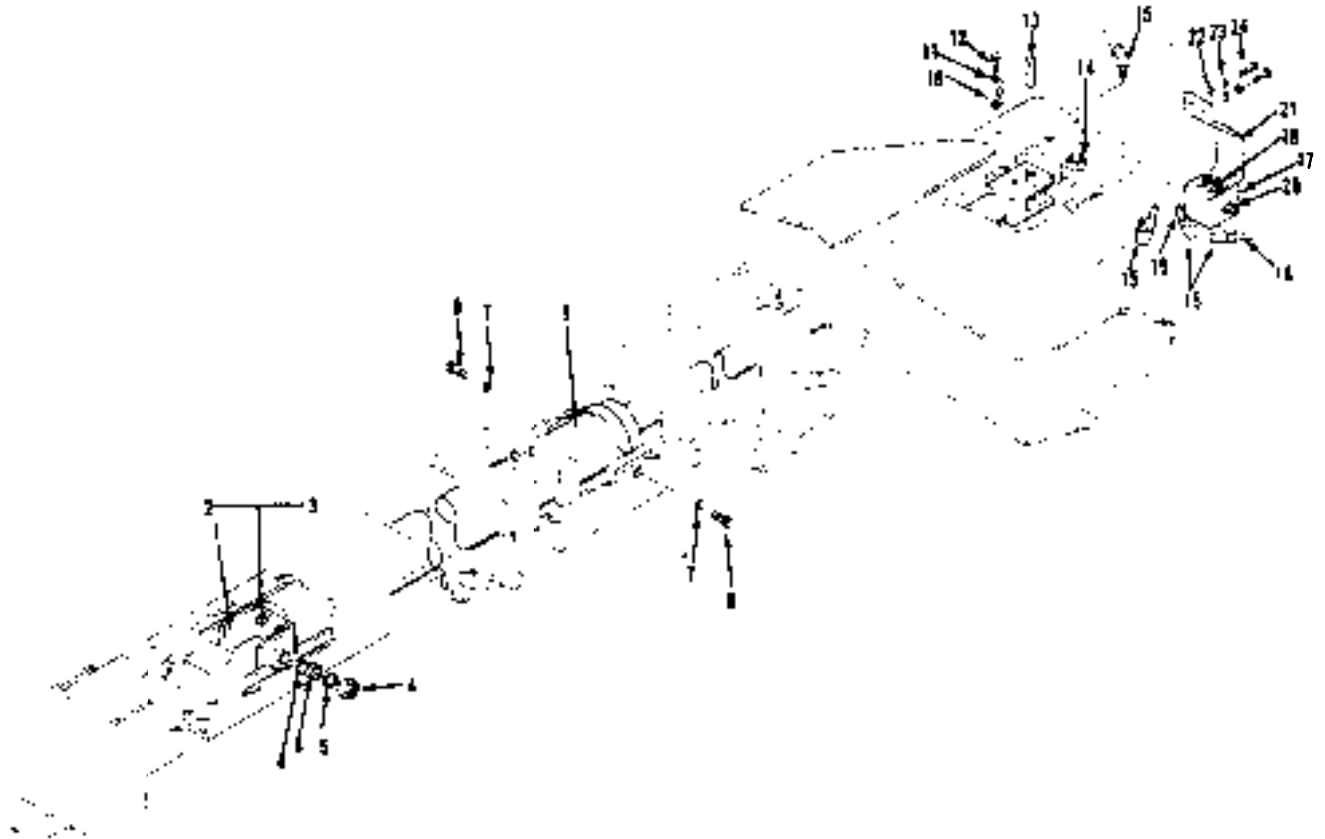
REF NO	HYSTER PART NO	NAME OF PART	QTY
13	311792	SHEAVE	3
14	76536	BEARING	1
15	76529	RING-SNAP	2
16	311802	CHIM-4500	2
17	311805	COLLAR	4
18	178348	CAPSCREW	2
19	221620	CAPSCREW	2
20	311856	PIN	1
21	311857	KEEPER	1
22	15156	LOCKWASHER	1
23	16892	CAPSCREW	1

BOOM-OUTER



REF NO	HYSTER PART NO	NAME OF PART				QTY	REF NO	HYSTER PART NO	NAME OF PART				QTY
		1	2	3	4				1	2	3	4	
1	311650	BOOM-OUTER				1	34	16001	FITTING-GREASE				4
2	16010	FITTING-GREASE				2	35	16005	CAPSCREW				8
3	311783	CHAIN				1	36	53039	PLATE-LOCK				4
4	307514	PIN				3	37	*****	CYLINDER-BOOM SEE 2810				2
5	15211	PIN-CUTTER				6	38	311837	END-ROD				2
6	311785	ANCHOR				3	39	219302	CLAMP				8
7	182377	NUT				3	40	15155	LOCKWASHER				3
8	182376	RING-BASE				3	41	15055	NUT				3
9	16804	CAPSCREW				8	42	16448	FITTING				2
10	311804	ROLLER				8	43	14761	NUT				2
11	322280	SHOE-WEAR				4	44	272987	RING-SEAL				2
12	311801	SHIM-JOBZ				AR	45	241079	EYEBOLT				4
13	311784	CHAIN				2	46	311847	PIN				2
14	306835	ROLLER				2	47	16830	CAPSCREW				4
15	306834	BEARING				2	48	272991	PIN				4
16	58927	RING-SNAP				4	49	16041	FITTING-GREASE				4
17	306833	BEARING				4	50	272992	BUSHING				4
18	155486	ANCHOR				1	51	*****	CYLINDER-TILT SEE 2810				2
19	30810	CAPSCREW				1	52	311515	PLATE				2
20	15118	LOCKWASHER				9	53	16001	FITTING-GREASE				2
21	221771	WASHER				8	54	16033	CAPSCREW				8
22	221563	CAPSCREW				8	55	15160	LOCKWASHER				8
23	313999	PLATE				2	56	311844	WASHER				AP
24	313975	TUBE				1	57	311845	WASHER				AP
25	313976	TUBE				1	58	311846	BUSHING				2
26	327450	NUT				1	59	14589	CAPSCREW				2
27	16450	FITTING				2	60	272990	END-ROD				2
28	193503	PLATE				3	61	18535	CAPSCREW				4
29	178017	BUSHING				4	62	19180	LOCKWASHER				4
30	18591	CAPSCREW				2	63	15134	WASHER				2
31	15058	NUT				4	63	311724	COVER				1
32	15158	LOCKWASHER				8							
33	311842	PIN				4							

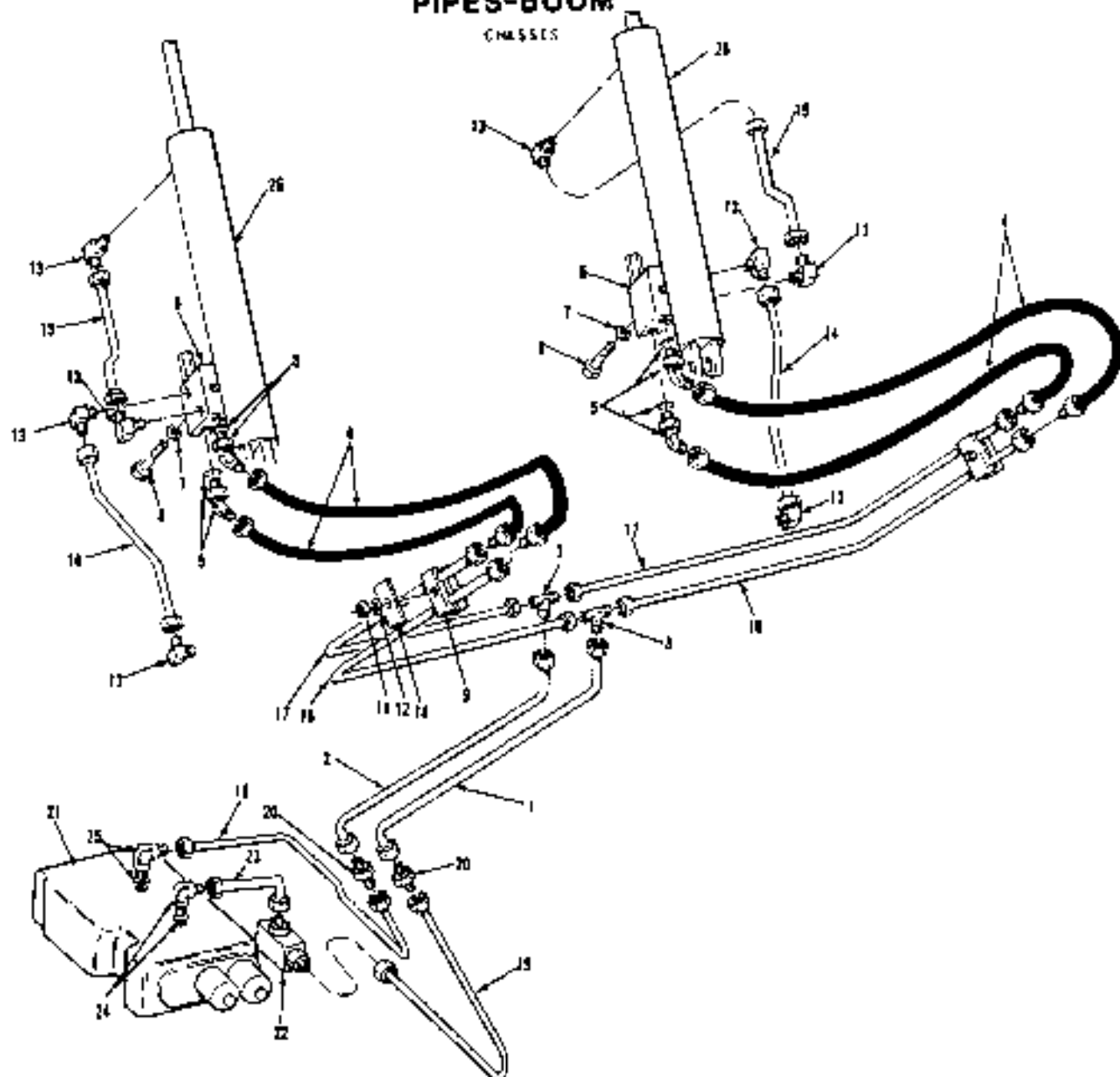
CROWD



REF NO	HYSTER PART NO	NAME OF PART 1 2 3 4	QTY	REF NO	HYSTER PART NO	NAME OF PART 1 2 3 4	QTY
1	106842	SUPPORT	1	15	16500	FITTING	4
2	221540	CAPSCREW	3	15	19485	O-RING	1
3	15158	LOCKWASHER	3	16	18057	WGT	2
4	215240	SHIM	AN	16	18570	CAPSCREW	2
5	58808	RING-SHAP	2	16	15177	WASHER-FLAT	2
6	215729	ROLLER-LOAD	2	16	15157	LOCKWASHER	2
7	177058	LOCKWASHER	2	17	*****	VALVE-DUAL SEE ZELL	1
8	321207	CAPSCREW	2	18	313949	TUBE	1
9	*****	CYLINDER-CROWD SEE ZELL	1	19	313950	TUBE	2
10	155406	ANCHOR	1	20	342682	FITTING	2
11	15158	LOCKWASHER	1	21	313951	PLATE	1
12	16830	CAPSCREW	1	22	15158	LOCKWASHER	2
13	311714	PIN	1	23	15135	WASHER-FLAT	2
14	192429	BUSHING	1	24	16829	CAPSCREW	2

PIPES-BOOM

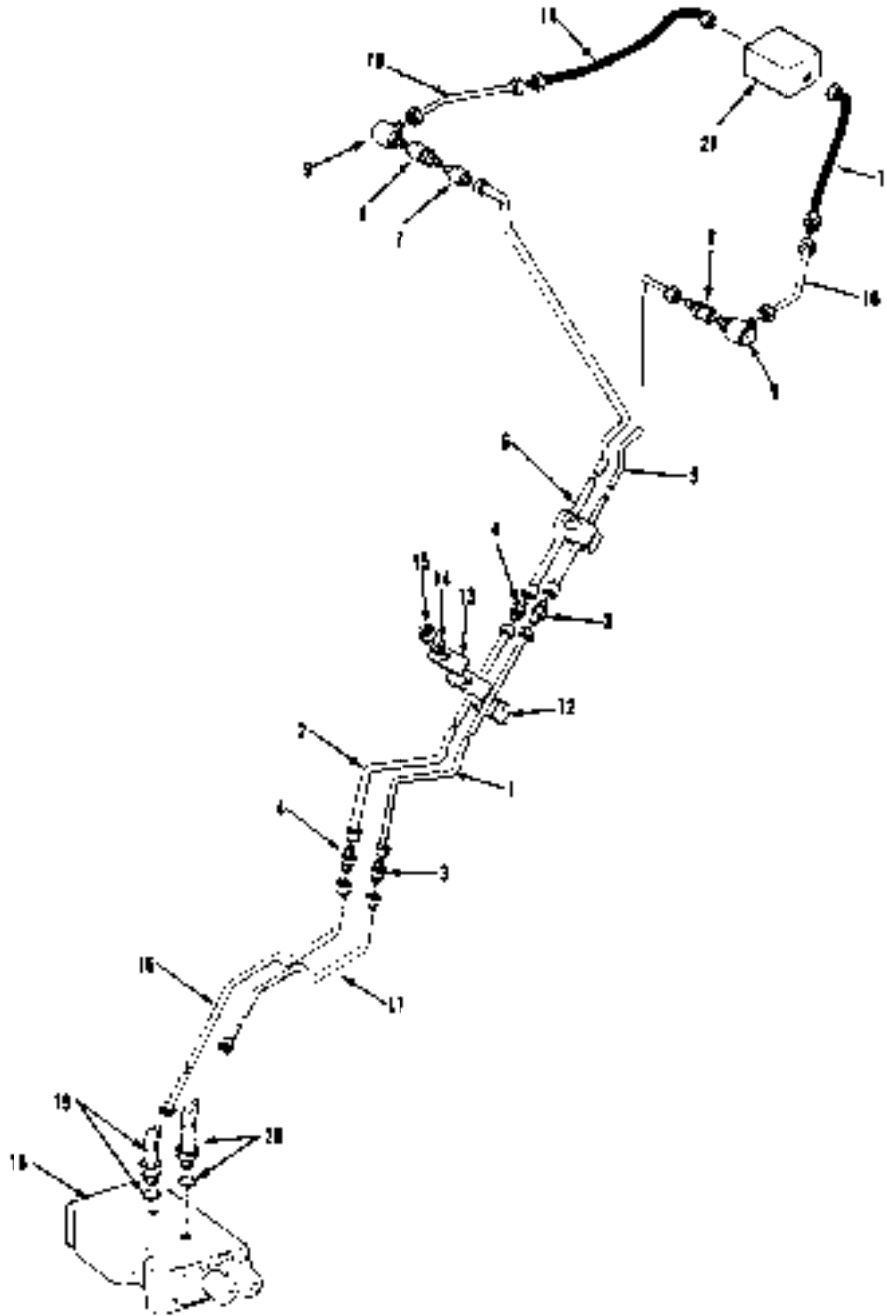
CHASSES



REF NO	HYSTER PART NO	NAME OF PART				QTY
		1	2	3	4	
1	313944	TUBE				1
2	313945	TUBE				1
3	16476	FITTING				2
4	313927	HOSE				4
5	16560	FITTING	SEE 2614			4
5	16485	O-RING				1
6	*****	VALVE-MOTION	SEE 2612			2
7	15156	LOCKWASHER				2
8	18542	CAPSCREW				2
9	193572	CLAMP				4
10	193537	PLATE				4
11	15055	NUT				2
12	15155	LOCKWASHER				2
13	16559	FITTING				8
14	313990	TUBE				2

REF NO	HYSTER PART NO	NAME OF PART				QTY
		1	2	3	4	
15	313991	TUBE				2
16	318447	TUBE				2
17	318448	TUBE				2
18	319253	TUBE				1
19	319252	TUBE				1
20	14603	FITTING				2
21	*****	VALVE-BOOM	SEE 2007			1
22	311646	VALVE				1
23	319251	TUBE				1
24	201784	FITTING				3
24	16485	O-RING				1
25	164780	FITTING				1
25	16487	O-RING				1
26	*****	CYLINDER-BOOM	SEE 2610			2

PIPES-CROWD CHASSIS

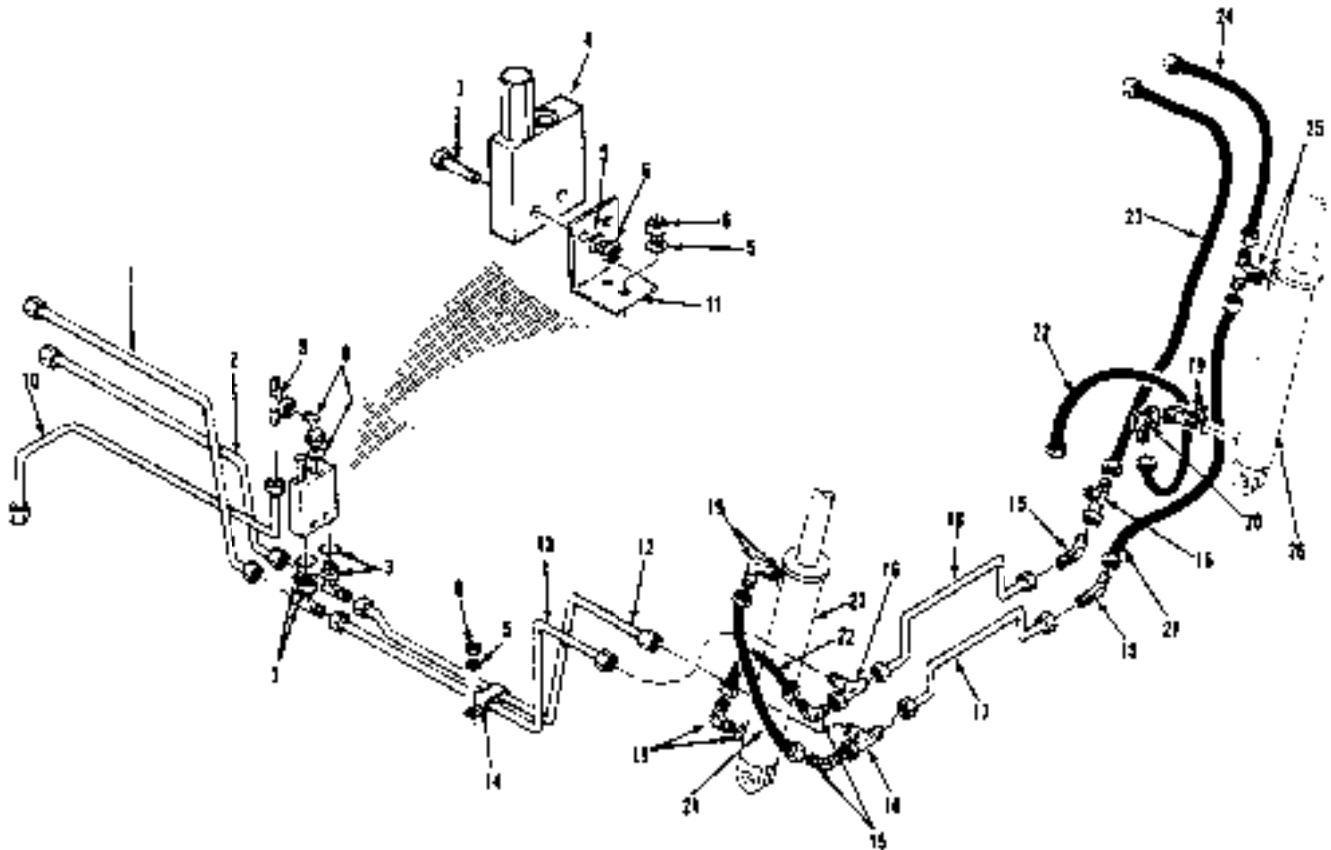


REF NO	HYSTER PART NO	NAME OF PART				QTY
		1	2	3	4	
1	313953	TUBE				1
2	313952	TUBE				1
3	14694	FITTING				2
4	14693	FITTING				4
5	313955	TUBE				1
6	313954	TUBE				1
7	167260	FITTING				1
8	2737J2	ADAPTER				2
9	2737D3	SH LEVEL-HYD				2
10	313958	TUBE				2
11	172415	HOSE				2
12	193512	CLAMP				4
13	193503	PLATE				2

REF NO	HYSTER PART NO	NAME OF PART				QTY
		1	2	3	4	
14	15155	LOCKWASHER				2
15	15055	NUT				2
16	319255	TUBE				1
17	319254	TUBE				1
18	*****	VALVE-ROOM SEE 2007				1
19	184761	FITTING				1
19	16487	O-RING				1
20	201761	FITTING				1
20	16486	O-RING				1
21	*****	VALVE-DUAL SEE 2013				1

PIPES-TILT

CHASSIS

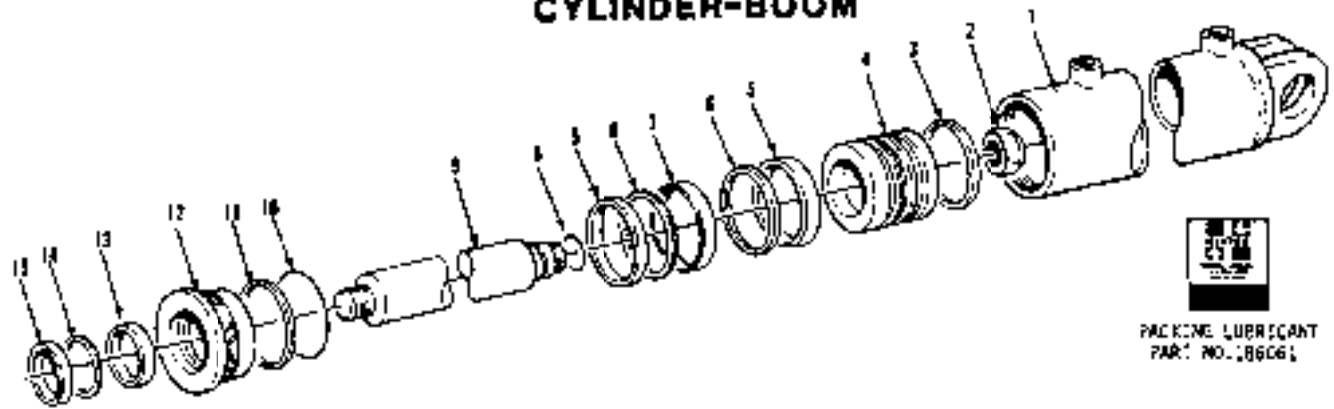


REF NO	HYSTER PART NO	NAME OF PART				QTY
		1	2	3	4	
1	319266	TUBE				1
2	319265	TUBE				1
3	16577	FITTING				2
3	16404	O-RING				1
4	*****	VALVE-RELIEF SEE 2E12				1
5	15155	LOCKWASHER				5
6	15255	NUT				5
7	16835	CAPSCREW				2
8	16554	FITTING				1
8	16404	O-RING				1
9	17050	FITTING				1
10	319267	TUBE				1
11	319262	BRACKET				1
12	313959	TUBE				1
13	313960	TUBE				1
14	136910	CLAMP				1

REF NO	HYSTER PART NO	NAME OF PART				QTY
		1	2	3	4	
15	16466	FITTING				4
16	17062	FITTING				3
17	275159	TUBE				1
18	309623	TUBE				1
19	96521	FITTING				3
19	16484	O-RING				1
20	16989	FITTING				1
21	+ 315980	HOSE				2
22	+ 210650	HOSE				2
23	+ 313981	HOSE				1
24	+ 318446	HOSE				1
25	222426	FITTING				1
25	16464	O-RING				1
26	*****	CYLINDER-TILT SEE 2E10				2

* SEE BULK HOSE CHART 2E14

CYLINDER-BOOM

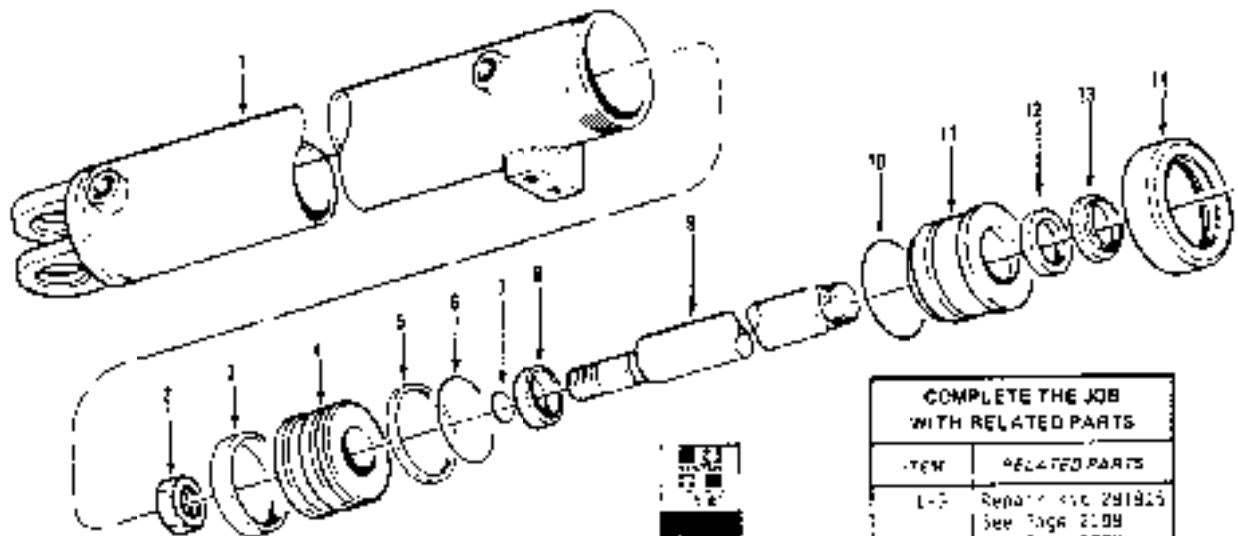


PACKING LUBRICANT
PART NO. 186061

REF NO	HYSTER PART NO	NAME OF PART	QTY	REF NO	HYSTER PART NO	NAME OF PART	QTY
1	300825	CYLINDER	1	9	321760	ROD	1
2	321759	SHELL	1	10	15889	O-RING	1
3	321768	NUT	1	11	145418	RING-BACK-UP	1
4	321765	RING	1	12	321766	RETAINER	1
5	321764	PISTON	1	13	309062	RING	1
6	321761	SEAL	2	14	637565	SEAL	1
7	321762	RING	2	15	321772	WIPER	1
8	119491	O-RING	1			* INCLUDED IN SEAL KIT 321767	

CYLINDER-TILT

UPPER BOOM



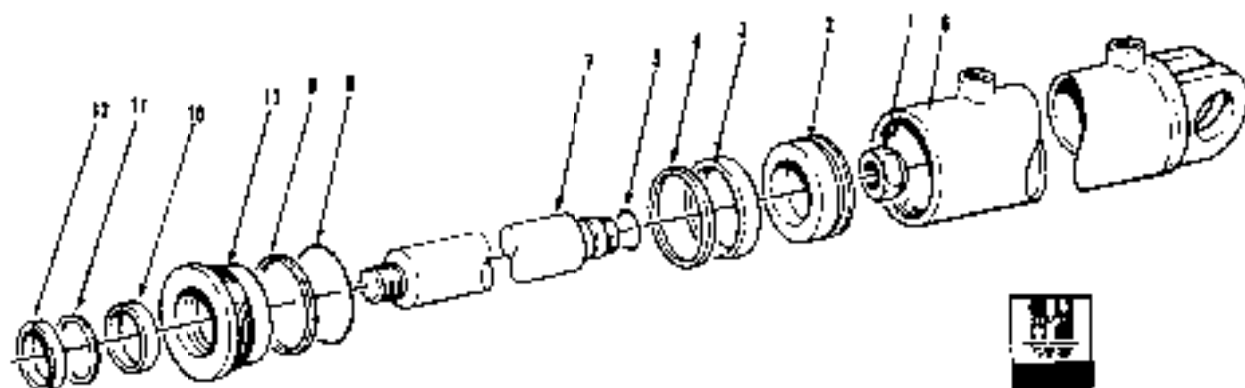
PACKING LUBRICANT
PART NO. 186061

COMPLETE THE JOB
WITH RELATED PARTS

ITEM	RELATED PARTS
1-7	Repair Kit 281815 See Page 2109 See Page 2208 See Page 2309

REF NO	HYSTER PART NO	NAME OF PART	QTY	REF NO	HYSTER PART NO	NAME OF PART	QTY
1	280004	CYLINDER	1	9	288732	ROD	1
2	288731	SHELL	1	10	206187	O-RING	1
3	53157	LOCKNUT	1	11	781863	GLAND-O-CUP	1
4	*****	RING-REAR	1	12	*****	SEAL-ROD	1
5	281923	PISTON	1	13	199978	WIPER	1
6	201823	SEAL	1	14	781823	COLLAR	1
7	118358	O-RING	1			* INCLUDED IN SEAL KIT 281815	
8	39767	O-RING	1				
9	288733	SPACER	1				

CYLINDER-TILT

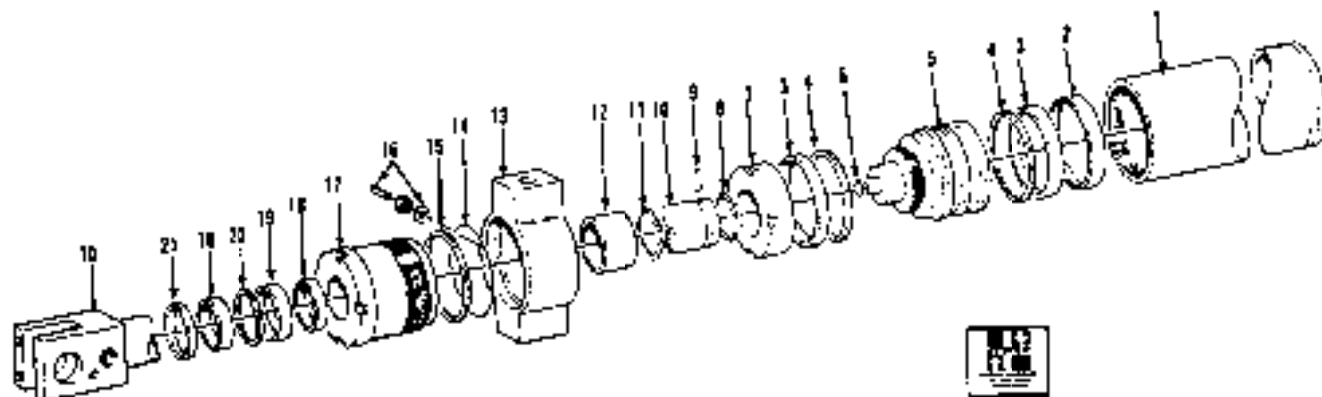


PACKING LUBRICANT
PART NO. 186061

REF NO	HYSTER PART NO	NAME OF PART	QTY	REF NO	HYSTER PART NO	NAME OF PART	QTY
	306826	CYLINDER	1	8	55289	O-RING	1
1	321768	MUF	1	9	* 146803	RING-BACK-UP	1
2	321769	PISTON	1	10	* 309062	RING	1
3	* 637168	SEAL	1	11	* 637568	SEAL	1
4	* 636692	RING-BACK-UP	1	12	* 321772	WIPER	1
5	* 55434	O-RING	1	13	321773	RETAINER	1
6	321770	SHELL	1				
7	321771	ROD	1				

* INCLUDED IN REPAIR KIT 321774

CYLINDER-CROWD

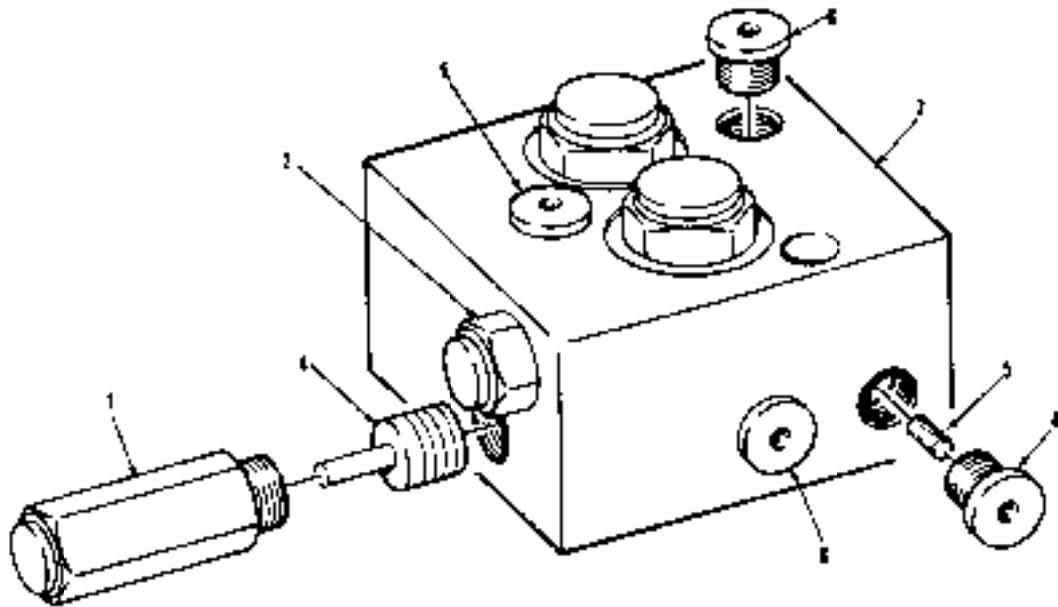


PACKING LUBRICANT
PART NO. 186061

REF NO	HYSTER PART NO	NAME OF PART	QTY	REF NO	HYSTER PART NO	NAME OF PART	QTY
	306827	CYLINDER	1	13	321907	TRUNNION	1
1	321900	SHELL	1	14	* 35889	O-RING	1
2	* 636907	BEARING	1	15	* 145418	RING-BACK-UP	1
3	321761	SEAL	2	16	221140	SCREW	1
4	* 321762	RING	2	16	15001	MUF-JAM	1
5	321905	PISTON	1	16	321911	WASHER	1
6	* 100153	O-RING	1	17	321906	RETAINER	1
7	321904	RETAINER	1	18	* 636901	RING-WEAR	2
8	321902	RING	1	19	* 637162	SEAL	1
9	321903	PIN	1	20	* 636071	RING	1
10	321901	ROD	1	21	* 199588	WIPER	1
11	171048	RING-SNAP	1				
12	321908	SPACER	1				

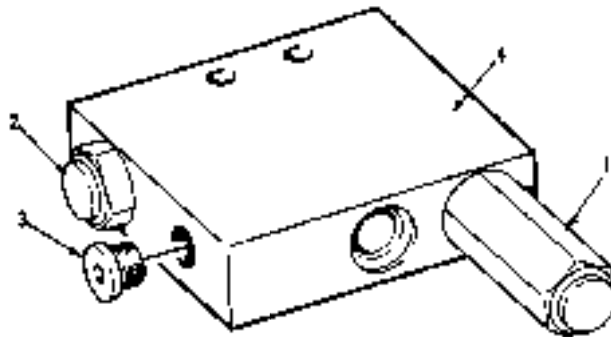
* INCLUDED IN SEAL KIT 321909

VALVE-MOTION CONTROL



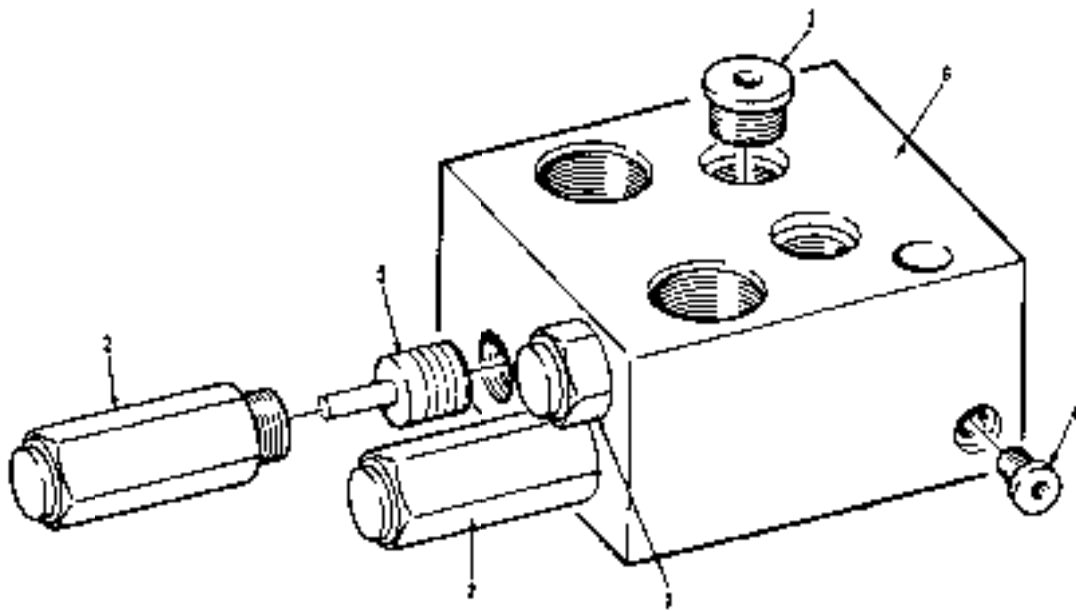
REF NO	HYSTER PART NO	NAME OF PART	QTY	REF NO	HYSTER PART NO	NAME OF PART	QTY
1	313030	VALVE	1	2 *	*****	RING-BACK-UP	1
1	323490	VALVE	1	3	*****	BODY	1
2	*****	O-RING	1	4	323492	PISTON	1
1	*****	O-RING	1	5	323493	PLUG	1
1	*****	RING-BACK-UP	1	6	222443	PLUG	4
2	323491	VALVE	1	* INCLUDED IN SEAL KIT 323488 1 KIT REQUIRED FOR EACH VALVE			
2 *	*****	O-RING	1				
2 *	*****	O-RING	1				

VALVE-RELIEF/CHECK



REF NO	HYSTER PART NO	NAME OF PART	QTY	REF NO	HYSTER PART NO	NAME OF PART	QTY
1	313031	VALVE	1	2 *	*****	O-RING	2
1	323496	VALVE	1	2 *	*****	RING-BACK-UP	2
1	*****	O-RING	1	3	222443	PLUG	1
1 *	*****	O-RING	1	4	*****	BODY	1
1 *	*****	RING-BACK-UP	1	* INCLUDED IN SEAL KIT 323488 1 KIT REQUIRED FOR EACH VALVE			
2	323491	VALVE	2				
2 *	*****	O-RING	2				

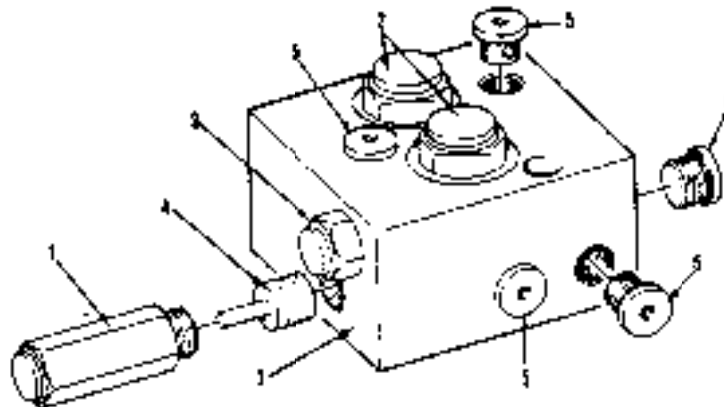
VALVE-DUAL MOTION CONTROL



REF NO	HYSTER PART NO	NAME OF PART	QTY	REF NO	HYSTER PART NO	NAME OF PART	QTY
		1 2 3 4				1 2 3 4	
	319260	VALVE	1	2	*	RING-BACK-UP	2
1	323501	VALVE	1	3	233693	FITTING	2
1	*	O-RING	1	4	222441	FITTING	2
1	*	O-RING	1	5	323503	PISTON	1
1	*	RING-BACK-UP	1	6	*****	BODY	1
2	323502	VALVE	2				
2	*	O-RING	2				
2	*	O-RING	2				

* INCLUDED IN SEAL KIT 323489 1 KIT REQUIRED FOR EACH VALVE

VALVE-TILT



REF NO	HYSTER PART NO	NAME OF PART	QTY	REF NO	HYSTER PART NO	NAME OF PART	QTY
		1 2 3 4				1 2 3 4	
	321655	VALVE	1	2	*	RING-BACK-UP	3
1	323490	VALVE	1	3	*****	BODY	1
1	*	O-RING	1	4	323504	PISTON	1
1	*	O-RING	1	5	222443	PLUG	5
1	*	RING-BACK-UP	1	6	233693	FITTING	1
2	323493	VALVE	3				
2	*	O-RING	3				
2	*	O-RING	3				

* INCLUDED IN SEAL KIT 323488 1 KIT REQUIRED FOR EACH VALVE

HOSE-BULK/FITTING

PART NUMBER	LENGTH INCH	HOSE	FITTING	QTY
69261	50	79511	*****	**
73469	109	79509	79533	2
83861	64	79502	79519	2
117472	48	79507	79519	2
157508	43	79509	79533	2
210650	13 1/2	79501	79517	2
229166	82	79509	79517	1
270952	3 1/4	134992	*****	**
272876	45 3/4	79513	79526	1
272877	58	79515	79547	1
* 273012	14 1/4	79507	79517 79531	1 1
* 273016	19 1/4	79507	79517 79531	1 1
* 273017	22 3/4	79507	79517 79531	1 1
273100	40	55482	*****	**
273731	100	79513	*****	**
296805	9	79511	*****	**
* 299771	34 3/4	79507	79517 79531	1 1
* 311793	33 3/4	79507	79517 79531	1 1
313977	29 1/2	79501	79517 79526	1 1
313979	30 1/2	79501	79517	2
313980	27 1/2	79501	79517	2
313983	48 1/2	79501	79517	2
316446	29 1/2	79501	79517	2
119695	213 7/8	79509	79542 79559	1 1
393829	45 1/2	79515	79547	1

* PRINTED HOSE

INDEX-NUMERICAL

125 - 15140F03
 15160 - 17345F04
 17407 - 126307F05
 126310 - 184277F06
 184359 - 221620F07
 221623 - 273960F08
 273881 - 276910F09
 276911 - 311531F10
 311533 - 323226F11
 323227 - 992645F12



INDEX - NUMERICAL

PART NO	PAGE	REF NO	PART NO	PAGE	REF NO	PART NO	PAGE	REF NO	PART NO	PAGE	REF NO	PART NO	PAGE	REF NO	
	1814		15005	1009	30	15056	1805	25	15154	1808	26	15156	1004	1	
125	1011	32		2004	7		1803	14		2005	7		1005	23	
126	1011	34	15006	1002	15		1804	13	15155	1003	14		1003	1	
138	2405	7		1002	44		2405	24		1804	14		1003	9	
	2004	16		1304	3		2004	24		1813	58		1004	1	
139	2405	7		1004	11		2005	24		1813	41		1004	3	
	2004	17		1008	42	15057	1409	9		1001	1		1004	5	
140	1805	10	15007	1012	8		2006	16		1001	2		1004	11	
	2405	14		1013	38	15058	1003	2		1001	11		1004	12	
150	2405	24		2002	32		1004	25		1001	23		1011	43	
153	1804	17	15010	1005	18		2407	2		1001	24		1003	4	
	2802	74		2806	16		2410	11		1002	12		1003	13	
7882	1804	31	15019	1806	2		2905	19		1002	27		1004	4	
	1808	39	15024	1011	1		2006	3		1002	32		1004	11	
	1810	40		1011	17		2006	18		1004	4		1005	25	
9333	1005	12		1011	15		2003	32		1004	10		2006	42	
12435	2804	34	15025	2405	8		2005	31		1004	22		1007	44	
12444	2804	29		2004	6	15060	2004	32		1004	29		1007	48	
12479	2001	53	15026	1312	23	15062	1806	12		1005	15		1008	24	
12485	1803	11		1008	58	15086	1804	7		1009	1		1008	35	
	1804	21		1805	5		1807	46		1009	6		1008	38	
12424	2006	45		2002	23	15127	1006	7		1011	7		1008	41	
12431	2006	46		2004	28		1011	19		1011	15		1803	15	
12638	1804	15	15027	1804	11		1803	14		1803	2		1804	15	
12891	2410	13		1805	7		1804	37		1804	30		2405	24	
12497	1011	44		1806	32		2004	39		1805	3		2406	10	
13741	1803	24	15030	1803	7	15129	1409	10		1806	27		2002	74	
13401	2804	28	15034	2806	5	15132	1009	11		1006	28		2004	22	
14367	1004	32	15039	1804	5	15133	1804	7		1008	38		2006	21	
14368	1003	6		1807	45	15134	1406	18		1805	4		2004	10	
14385	1803	13		1808	4		1806	35		1807	35		2005	4	
14388	1808	60	15049	1805	9		1803	8		2407	1		2005	24	
14388	2006	4	15054	1011	6		1804	23		2905	25		2705	25	
14466	1813	31		1003	36		2004	50		2805	27		2803	10	
14504	2005	28		1804	17		2805	62		2806	39		2804	9	
14534	1803	23		1803	15	15135	1406	14		2004	7		2804	22	
	1804	11		2002	24		1409	12		2004	23		2807	7	
14541	2004	30	15055	1004	17		1811	9		2004	31	15157	1409	11	
14589	2004	14		1011	15		2805	2		2005	16		1813	19	
14693	2007	20		1803	2		2806	23		2803	3		1803	45	
14694	2008	4		1804	30	15152	1008	65		2005	40		1805	4	
14761	2005	43		1005	2		1011	23		2107	12		2802	31	
14773	1808	31		1806	26		1806	2		2808	14		2005	13	
14777	1808	30		1007	24		1807	8		2809	5		2806	16	
				1805	1		2006	44		15158	1406	36	15158	1811	8
15001	2011	16		2305	27	15159	1811	11		1409	15		1811	8	
15002	1406	23		2004	23		1812	3		1803	7		1003	2	
	1003	22		2004	11		1001	15		1803	30		2407	2	
	1004	27		2005	16		1003	34		1803	17		2804	16	
	1011	23		2805	41		1002	24		1804	11		2006	3	
	1803	9		2807	11		1011	3		1804	23		2006	18	
	1804	11		2808	15		1011	6		1804	29		2003	74	
15003	2802	72		2009	6		1011	28		1804	34		2803	31	
15004	1001	34	15054	1406	17		1011	29		1806	3		2805	20	
	1011	3		1803	13		1803	36		1810	51		2805	32	
	1011	24		1804	29		1804	37		1800	53		2806	3	
	1804	11		1804	34		1807	41		1001	22		2806	11	
15005	2802	72		2009	6		1803	15		1002	30		2806	22	
15006	1001	34		1804	17		1807	17		1002	36	15160	2406	17	
	1011	3		1803	13		1808	6		1003	5		2804	73	
15007	1011	24		1804	29		1804	37		1800	53		2806	3	
	1804	11		1804	34		1807	41		1001	22		2806	11	
	2802	72		2009	6		1803	15		1002	30		2806	22	
	1001	34		1804	17		1807	17		1002	36		2806	17	
	1011	3		1803	13		1808	6		1003	5		2804	73	

INDEX — NUMERICAL

PART NO	PAGE	REF NO	PART NO	PAGE	REF NO	PART NO	PAGE	REF NO	PART NO	PAGE	REF NO	PART NO	PAGE	REF NO
15160	2E05	55	15905	1F0T	6	16483	2B05	24	16758	2D05	22	16805	1F04	12
	2E05	51	15911	1A06	23		2C04	40	16559	2B05	21		2A05	24
17104	1A06	2		1E03	6		2C04	41		2E03	9		2C04	23
	1F04	5		1E04	33		2B05	22		2E07	13		2E07	26
15163	1E04	6	15713	1Q11	14	16484	2B05	21		2E09	8		2T05	19
	1E07	45		1E08	28		2B05	26	16560	2C04	31	16813	2A07	2
15166	2E07	36	15915	1E08	41		2C04	35		2E06	15		2C05	3
15175	1B03	19		1F07	7		2C04	36	16561	2A07	7	16814	1B03	30
	1E07	28	15916	1Q03	22		2C04	38		2C06	25		1C07	33
	2A07	3		1Q04	27		2C06	38		2D04	22	16815	1A05	30
15176	1A04	26		1E07	40		2C06	40	16562	2E03	6		1B04	11
	1A09	16	15920	1Q08	58		2D04	14		2E07	5		2A05	13
	1Q11	45	15927	2B02	41		2D04	16	16570	2D04	27		2D04	10
	1F03	25	15946	1B06	6		2D05	5	16577	2E09	3	16816	1C01	24
	2C04	22	15962	1C05	12		2D05	26	16578	2C06	40		2A06	12
15177	2E04	16		2E07	28		2E03	6	16597	1B03	6	16818	1B10	58
15178	1A08	4	15963	2E04	8		2E03	9		1B03	33		1B11	41
	1B05	3	15972	1B03	17		2E09	3		1E04	23		1C01	7
	2A05	30		1B04	27		2E09	3		1B04	34		1C02	11
15200	1Q09	10	16001	2E03	26		2E09	19		1B10	54		1Q09	1
	1Q09	42		2E04	12		2E09	25		1E05	25	16827	1B13	34
	1Q11	4		2E05	34	16485	2A12	3		1E08	29		1C01	2
	1Q11	35		2E05	33		2C04	30		2E03	20		2A09	12
	2C04	19	16010	2E05	2		2C04	31	16614	1C04	11	16428	1E03	4
15211	2A05	7	16041	2B05	12		2C04	46		1Q04	5		1E04	13
	2A05	14		2E03	22		2C04	48	16617	1A06	4		1E07	43
	2A05	24		2E05	49		2C06	40		1B11	4		1E08	38
	2C04	17	16065	1F04	20		2C06	49	16644	2A06	11		2A06	10
15212	1F03	11	16066	1F04	21		2E06	15	16691	1C01	2		2C06	21
	2B02	74	16085	2A1G	36		2E07	5		1C01	11		2D05	25
15213	2E07	41	16114	1Q04	25		2E07	24		1C02	28	16829	2E06	24
	2E05	5	16138	1Q03	15	16486	2A17	5		1C04	3	16830	2B09	16
15223	1A06	9	16147	1Q03	18		2A07	6		1C04	4		2E03	24
	1F04	16		1Q04	29		2A07	7		1C04	29		2E05	19
	2B02	70	16150	1F03	24		2A07	8	16646	1C02	23		2E05	47
15224	1C01	20	16154	1F03	25		2A17	31		1Q04	17		2E06	12
	2B02	1	16168	1E03	23		2C04	49		1E08	29	16652	1E04	3
	2B04	33	16185	1Q03	11		2C06	25	16701	1Q09	25	16832	2E03	54
15226	2B06	25	16193	1Q09	38		2C06	34	16702	1E05	5	16835	2A10	23
15240	2B07	29	16195	1F03	5		2D04	22		1E05	14		2E09	7
15302	1B06	47	16271	1D04	32		2D04	27	16704	2C06	44	16836	1Q11	43
15303	1B10	1	16313	2B04	15		2E05	23	16706	2C07	11		2E03	3
	1C01	33	16314	2A06	8	16487	2C04	44	16709	1B11	10	16846	1E06	20
	1F03	23	16312	2D04	37		2C04	45	16712	1E06	23	16882	2C04	47
15304	2A10	17	16314	1E06	43		2C06	32	16720	1Q08	65	16883	2C04	42
	2B02	24		1E08	44		2C06	47	16733	1C04	20	16892	2E04	23
15306	2A12	20		1F07	34		2E07	25	16741	2C04	50	16889	2C04	37
	2A12	42		2E06	38		2E08	19	16743	1E05	8		2D05	32
15314	1B08	5	16375	1A09	8	16526	1B05	4	16761	1E05	5		2E09	22
	1B08	26	16376	1E03	13	16540	2C04	41		1E09	19	17050	2E09	9
	1F06	28		1E06	41	16541	2C14	35	16779	1C01	22	17062	2E09	16
15315	1Q03	14	16379	2A14	7		2C06	48		1C02	31	17154	1C04	24
	1Q04	30	16374	1B04	10		2D04	18	16782	2A12	17		1C05	22
15345	1B03	22	16444	2E05	47	16542	2C04	30	16794	1B12	4	17167	2D05	5
15469	1B04	20	16458	2C13	37	16543	2A07	6	16A04	2E04	2	17174	1F05	22
15463	2A12	27		2E05	47	16544	2C14	45		2E05	9	17231	1C01	2
	2B07	26	16466	2E09	15		2C06	47	16805	1A09	14		1C05	24
15885	2A14	1	16475	2D05	18	16556	2C04	25		1B06	2		1E08	32
15889	2E10	30	16476	2E07	3	16558	2B05	24		1E08	35	17302	1F03	18
	2E11	14	16481	2D04	25		2C04	40		1F03	13	17345	1F03	40

HYSTER COMPANY

PARTS OPERATIONS
 Danville, Illinois 61832

INDEX - NUMERICAL

PART NO	PAGE	REF NO	PART NO	PAGE	REF NO	PART NO	PAGE	REF NO	PART NO	PAGE	REF NO	PART NO	PAGE	REF NO
17401	1811	9	19022	1406	2	54659	1F04	2	79511	2E14		99541	1E14	2
17745	1F03	37	19636	1F07	5	54767	2006	11	79513	2E14		99553	1E14	3
17784	2C06	13	19678	2805	30	54791	1F06	30	79515	2E14		99668	1E14	10
17801	1E03	22	19708	1406	23	54844	1F03	19	79517	2E14		99686	1E05	15
	1E04	14	19728	1406	18	55252	2A12	5	79519	2E14		99722	1E12	18
17829	1E05	13	19748	2A06	4	55280	1009	37	79524	2E14		99723	1E12	19
	1E06	21	19760	1E04	17		2002	46	79528	2E14		99724	1E12	17
17944	2807	20	19856	1F08	25	55289	2E11	8	79531	2E14		99725	1E12	14
18202	1E03	3	19869	1E09	24	55434	2E11	5	79533	2E14		99727	1E12	22
	1305	6	19869	1E37	25	55482	2E14		79542	2E14		99728	1E12	11
18451	1E10	51	19874	2405	17	55580	1F08	25	79547	2E14		99756	1E09	15
18459	1E01	15	19971	2A13	34	55585	1E06	28	79559	2E14		99779	1E09	23
	1E01	34	21278	2A12	40		1E07	28	79552	1009	4	99780	1009	24
18460	1E11	6	24392	1F03	1	55894	1E06	33	79810	1E06	34	99786	1009	13
18462	2D35	9	24494	1A06	15		1E07	33	79980	2C06	11	100153	2E11	6
18483	1E01	23	26494	1A06	19	55901	1E06	16	83861	2C06	26	101053	1F04	9
	1F07	9	28584	2005	29		1E07	16		2E14		101569	1E11	5
18471	2C04	34	29344	1F03	7	55965	1E37	1	86985	1E07	12	102898	1F02	44
	2005	8	29582	1F03	1	55969	1E06	36	87654	2A10	37	104728	1E03	12
18497	2A07	3	29583	1F03	1	55972	1E06	23	87994	2E05	7	106223	1F04	8
18499	1E03	13	30019	2802	8		1E07	23	88035	1E07	37	108812	1E11	27
	1E04	7	30023	2802	6	55978	1E04	37	88567	1E06	18	109547	2C04	7
18508	1E10	43	30162	2J07	7		1E07	37	88572	1E06	2	110433	2E05	32
18509	1F05	2	30370	1305	1	55985	1E04	16		1E07	2	111105	1E05	1
	2E05	25	30372	1E05	13	58906	2E06	5	88655	1F03	36	111467	2A07	5
18512	1E03	20		1305	4	58927	2E05	18	96521	2E05	28	111561	1E03	24
	1E02	34	30375	1305	14	58929	2C04	10		2C04	36		1334	40
18513	1E11	15		1E06	20	58951	1E11	11		2E09	19	112470	2C05	10
18514	1E04	10	32033	2E06	22	60362	1E07	21	96952	2006	9	112478	2C05	24
18515	1E03	2	35502	2804	5	60503	2A14	13	97344	1E07	1		2E14	
	1E04	10	39347	2A14	9	60655	2C07	2	97345	1E07	11	112632	1E04	2
	2A12	41	39373	2004	12	63899	1E03	25	97351	1E07	27		1E07	42
18516	2A12	36	39381	2A11	4		1E04	36	97358	1E07	17	112989	1E05	8
18535	1E03	9	39383	2A11	8	66958	1E11	10	97359	1E07	15		1E06	15
	2E04	10		2A14	16	67661	1A08	29	97361	1E07	18	114312	1E04	31
	2E05	60	39679	2A14	12	69192	1E03	17	97846	2E06	21	115496	1E05	10
18536	1E04	1	39742	2E06	34		1E04	29	97847	2E06	20		1E06	17
18537	1E10	21	39767	2E10	7	89861	1E03	36	98342	1E06	28	116358	2E10	6
	2A14	7	41209	2A14	24		1E04	27	98541	1E05	34	118748	1E03	20
18534	1E05	25	42958	2004	8		2E14		99570	1E02	7	119236	1E01	3
18546	2E06	7	43208	2A11	24	70823	2E06	6	99571	1E02	6		1E04	3
18542	1F04	14		2A14	2	71368	1E05	4	99573	1E02	18		2E06	5
	2E03	10	43211	2A13	5	71469	2E05	15	94574	1E07	8	119491	2E10	8
	2E07	8	43308	2A14	20		2E14		99575	1E13	8	119963	2E06	8
18546	1E08	32	44308	2A14	18	73491	1F03	34	99584	1E13	19	120247	2A06	4
18554	1F01	45	44313	2A13	19	75649	A 2E06	44	99585	1E13	16	123672	1E07	22
18561	2E06	15	43019	2E05	21	76524	2E04	15	99599	1E13	24	123675	1E07	37
18578	2E06	16		2E03	27	76516	2E04	14	99600	1E13	28	124217	1E04	9
18588	2A10	38		2E05	36	77297	2E06	9	99601	1E13	25	124297	1E04	37
18589	2C06	19	53123	1E05	22	77328	1E03	5	99609	1E04	14		1E03	10
	2E05	58	53124	1E05	21		1E04	33	99610	1E14	6		1E03	15
18590	1E03	2	53128	1E05	23	77442	2E07	12		1E04	17		1E03	38
	1E04	26	53156	2D07	2	77443	2E07	9	99611	1E04	12		1E04	34
18591	2E05	17	53157	2E10	2	77445	2E07	10	99612	1E04	13	124350	1F02	30
	2E05	30	53154	1E06	4	78029	1F03	2	99613	1E04	12	125509	1E14	14
18592	2E03	30	53169	1E11	19	78122	2E06	44	99614	1E04	13	125519	1E01	28
18593	1E11	16	53825	2E02	5	79501	2E14		99631	1E09	14	125847	1E05	7
18594	2A05	20		2E02	30	79502	2E14		99638	1E04	4		1E06	14
18596	1E11	5	53922	2E02	43	79507	2E14		99637	1E04	8	126306	1E03	17
18620	1F04	4	54991	2E02	41	79509	2E14		99646	1E14	1	126307	1F08	16

HYSTER COMPANY

PARTS OPERATIONS
Denville, Illinois 61837

INDEX - NUMERICAL

PART NO	PAGE	REF NO	PART NO	PAGE	REF NO	PART NO	PAGE	REF NO	PART NO	PAGE	REF NO	PART NO	PAGE	REF NO
126310	1F08	3	134102	1204	22	149816	1808	17	158321	1E08	30	161453	1B12	20
126311	1F08	5	134803	1AD6	25	149817	1808	13	158432	2009	8	161454	1B12	20
126355	1E08	20		1A09	7	149819	1808	8	158839	2009	13		1B12	21
126356	1F05	4	134948	1D09	17	149842	1808	37	159105	1009	2	161455	1B12	21
127245	1C04	6	134958	1D09	21	149844	1B11		159812	2009	32	161456	1B17	10
	2C06	8	134997	2E14		149845	1B11	6	159822	2A06	10	161460	1C03	11
	2D05	13	135197	2A10	6	149846	1B11	8	159823	2A08	7	161461	1C03	10
127156	2B05	1	136127	1C07		149847	1B11	9	159942	1710	38	161463	1C04	18
127241	1F04	1	136681	1E04	40	149857	1B10	2	159972	1B08	6	161472	1C04	31
127264	1B04	12	136687	1E04	44	149858	1B10	2		1B10	1	161485	1B12	24
127644	1B10	56	136748	1E05	27	149864	1B10	5	159973	1B05	10	161491	1C01	32
127645	1B08	14	137698	1E06	30	149867	1B10	9	159974	1B08	15	161492	1C01	31
127915	1B17	76		1E07	30	149868	1B10	9	159976	1B08	4	161493	1C01	1
127930	2B05	35	137698	1E07	28	149869	1B10	29	159977	1B08	3	161494	1C01	10
127953	2A10	12	137852	1E03	33	149887	1B10	23	159992	1B06	22	161495	1C01	27
128408	1E05	20		1E04	25	149888	1B10	20	160250	1B10	32	161500	1C01	7
128436	1E10	7		1E05	30	149889	1B10	18	160252	1B04	55	161502	1C01	9
	1E07	7	136590	1B13	3	149892	1B08	50	160372	1B10	42	161504	1C01	6
128631	1E08	20	138750	2005	1	149896	1B08	36	160376	1B10	47	161506	1C01	14
128635	1E08	24	138961	1B13	23	149892	1B10	63	160378	1B10	49	161509	1C01	17
128652	1E08	4	138982	1B13	11	149929	1B10	67	160379	1B10	48	161519	1C05	15
129068	1B11	8	139012	1D11	2	149934	1B03	13	161195	1B08	53	161520	1C05	20
129563	1B03	27	139053	1F04	2	149952	1B10	3		1B10	27	161522	1C05	14
	1B04	28	139054	1F03	2		1B10	51		1B10	31	161523	1C05	21
129827	1E03	28	139743	1E08	36	149945	1E09	23	161200	1B10	24	161527	1B03	29
	1E04	20	140398	1C04	12	149976	1B08	56		1B10	51	161537	1C04	19
	1E05	37	142642	2C04	39	149977	1B10	15	161291	1B14	19	161539	1C09	3
129842	1E05	37		2E04	26	149978	1B10	33	161292	1B14	18	161540	1C09	8
130676	1E06	24	144062	1D11	31	150084	2A06	2	161296	1B14	19	161541	1C09	39
	1E17	24	144613	1B13	27	150854	2007	5	161297	1B14	18	161542	1C09	40
130835	2B05	33	145112	1B10	6	151315	1D09	22	161383	1B13	7	161543	1C09	16
130845	1B07	24	145117	1D10	8	151316	1D09	20	161385	1B13	17	161544	1C09	17
	1B04	25	145176	1B17	4	151445	2C04	15	161394	1C02	15	161545	1C09	18
	1B10	62	145177	1B11	5	151550	1C04	37	161399	1C09	5	161546	1C09	19
	1F03	20	145418	2E10	11	151637	1E06	40	161400	1C02	17	161551	1C09	36
	1F03	41		2E11	15	151911	2005	4	161421	1C02	17	161552	1C09	31
131172	1E07	37	145641	1A06	4	152603	1C04	5	161402	1C02	17	161648	1B14	9
131173	1E07	37		1A06	26	152608	1C03	9	161403	1C02	18	161665	2004	5
131190	2B05	33		1B08	64		1C04	26	161404	1C02	18	161674	2007	7
131191	2B05	33		1B11	32		1C09	27	161405	1C02	18	162562	1C05	9
131192	2B05	37		2C04	50	152609	1C03	8	161406	1C02	9		1C08	16
131193	2B05	34	146684	1E08	31		1C04	24	161407	1C02	10	162746	1B06	23
131358	2E03	45	146803	2C11	9		1C09	27	161409	1C02	25	162748	1B08	30
131400	2C04	38	147221	2D06	3	153495	1D03	12	161412	1C02	38		1B08	35
	2D05	29	147526	2D06	12	154440	1B13	15	161416	1C02	22		1B04	45
131482	1F04		147543	2A04	11	155484	2E05	14		1C02	29	167772	1B10	17
132401	1D04	18	148509	1C04	20		2E06	10	161419	1C02	2	161966	2A06	3
	1D09	25	148828	1B04	13	155570	1E05	26	161420	1C02	4	164317	1B08	7
132720	1E06	19	148891	1B04	6	156622	1F04	9	161422	1C02	40	164021	1B08	9
	1E07	19	149805	1B08	18	156889	2C06	23	161425	1B14	17	164022	1B08	16
133469	1B06	7	149806	1B08	17	157065	1E03	31	161426	1B14	16	164023	1B08	11
	1B10	35	149807	1B08	18		1E04	22	161429	1B14	17	164027	1B08	62
	1B11	79	149808	1B08	18	157116	1B05	10	161430	1B14	17	164029	1B08	47
	2B10	10	149809	1B08	18	157506	2D05	33	161431	1B14	17	164030	1B18	48
133573	1C04	6	149810	1B08	18		2E14		161432	1B14	16	164031	1B08	40
133590	1C04	17	149811	1B04	18	158055	1B12	7	161433	1B14	16	164034	1B05	27
133720	1E07	23	149812	1B04	17	158139	1B13	26	161434	1B14	16	164038	1B10	34
133816	2B06	10	149813	1B04	17	158287	1B12	27	161440	1B14	7	164050	1B10	44
133824	2B06		149814	1B08	17	158193	1B09	15	161441	1B12	14	164081	1B08	54
134102	1B03	31	149815	1B08	17	158301	1E04	35	161442	1B12	24	164277	2A06	7

HYSTER COMPANY

PARTS OPERATIONS
 Downers Grove, Illinois 61932

INDEX -- NUMERICAL

PART NO	PAGE	REF NO	PART NO	PAGE	REF NO	PART NO	PAGE	REF NO	PART NO	PAGE	REF NO	PART NO	PAGE	REF NO
164359	1002	26	169712	1E10	61	177946	1908	43	190481	2004	27	201761	2008	20
164508	1645	9	169718	1E08	2	177946	1908	44	190757	2004	24	201763	2014	48
	1E07	4	169759	1E05	11	177947	1804	17	190784	2008	28	201784	2004	46
164509	1E08	34	169775	1E05	13		2004	15	190785	2004	29		2E07	24
	1E07	19	169776	1E03	7		2004	28	190786	2008	31	201873	2E10	5
164610	1E06	13		1E04	17	177949	2E06	30	190787	2004	15	202411	2005	1
164647	1E07	5	169779	1E05	12	177950	2E06	4	190867	1E03	23		2E05	7
164746	1E08	41	169781	1E05	14		2E07	12		1E04	41	204114	1A09	3
164747	1E09	42	169962	1E10	38	177951	2E06	7	191115	1E11	7		1A09	4
164934	1E07	10	169941	1E05	38	178015	2E07	19	191534	1A06	18	204723	1E03	32
165421	1E10	39	169944	1E10	19		2E03	17	191745	1E11	41		1E04	24
166216	1E09	22	169989	1E13	36	178017	2E03	19	191746	1E11	40	205923	2E04	1
166336	1E07	35		1E01	16		2E05	24	191820	1E03	14		2E04	2
166337	1E07	34	170607	1E06	11	178348	2E03	36	192077	1A06	8		2E04	21
166474	1E07	36	172116	1E08	14		2E04	18	192326	2E06	5	205976	1E11	13
166639	2E02	27	172122	1E05	15	179919	1E04	9	192429	2E06	14	206127	1E03	14
167875	1E08	5	172425	2E08	11		1E10	57	192505	1A09	8		1E06	43
	1E07	3	172476	2E05	3	179420	1E08	37	192835	1E05	35	206131	1E06	3
167889	1E07	13	172881	1E04	4	181271	2E06	9	193080	2E06	23	206133	1E06	7
167910	1E07	36	172882	1E04	15	181596	2E05	8	193327	1E05	10	206150	2E06	44
167955	1E01	14	172883	1E04	19	181597	2E05	6	193503	2E04	32	206187	2E10	10
167956	1E01	16	172885	1E04	16	181844	1E03	8		2E05	28	206643	2A10	17
167218	1E11	18	172921	1E03	7	181784	1E08	57		2E07	10		2A10	26
167220	1E11	18	173048	2E11	13	181765	1E08	57		2E04	13	208483	1E08	31
167260	2E08	7	173056	2E07	21	181941	2E06	30	193572	2E07	9	209423	2E07	10
167447	1E03	1	173217	1E04	6	182376	2E05	8		2E08	12	209627	2E09	21
167492	1E04	6		1E07	6	182377	2E05	7	193653	1E06	11	209862	1E06	4
167493	1E01	8	173218	1E04	22	183071	1E10	4	194172	1A08	31	210850	2E09	22
167496	1E01	14	173707	1E11	12	183074	1E10	37	194194	1E04	8		2E14	
167497	1E01	16	173713	1E11	10	183076	1E08	24	195331	1E13	44	211151	1A09	3
167507	1E04	17	173712	1E11	11	183587	1E11	18	195342	1E13	12	213690	1E08	37
167508	1E04	17	173997	1E02	21	183614	2A14	21	195343	1E13	13	213239	2E06	6
167519	1E09	33	173910	1E12	25	183438	1E04	18	195344	1E13	14	215240	2E06	4
167521	1E09	34	173934	1E04	3	184384	1E11	20	195366	1E03	8	216284	1A09	4
168665	1E08	14	173943	1E09	2	184761	2E04	44	195852	1E13	45	218299	1A08	24
	1E07	14	173944	1E04	8		2E05	14	195856	1E06	1	219302	2E04	31
168697	1E02	11	174374	1E06	7	184786	2E07	25	196144	1A08	14		2E05	39
168699	1E14	5	175118	1E04	68	184955	1E06	2	196636	1A08	5	220302	1E09	12
168700	1E14	4	175323	1E08	34	185613	2E06	24	197066	1E05	5	220354	1E12	2
168701	1E14	3	176037	2E06	4	185455	1E03	9	197549	1E05	4	220493	1E12	26
168704	1E04	26	176039	2E06	16	186470	1E04	5	197751	1E05	19		1E03	23
168718	1E06	3	176040	2E06	18	186488	1A08	17	197827	1E11	4		1E04	41
168811	1E08	29	176059	2E08	6	187130	1E03	14	197849	1E11	13	220496	2E07	15
168891	1E04	2	176169	2E08	4		1E04	33	197850	1E11	14	221140	2E11	16
168892	1E04	1	176172	2E08	5	187742	1E04	7	197852	1E11	12	221341	2E04	34
168893	1E18	42	176113	2E08	12	189039	1E05	20	197853	1A06	24	221351	2A08	13
168897	1E09	3	176175	2E04	7	189185	2E04	6		1E11	11	221352	2E06	9
168898	1E05	41		2E06	9	189187	2E04	4		1E11	14	221353	2E07	5
168899	1E18	31		2E04	15	189188	2E04	3	198401	1E08	17		2E07	37
168901	1E13	38	176176	2E04	3	189189	2E04	2	198402	1E08	17	221354	1E05	2
	1E04			2E08	11	189190	2E04	1		1E09	17		1E11	6
	1E04			2E05	14	189240	2A05	23	198410	1E08	16	221355	2E04	15
	1E07		176515	1E02	5	189335	1E08	46	198675	1E03	3	221452	1E11	7
168926	1E06	12	176910	2E09	4	189466	2E05	27	198705	1E05	37	221453	1E08	63
169009	2E06	14	177561	1E08	14	189598	1E10	65	199588	2E11	21	221455	1E10	43
169136	1E07	20	177562	1E08	24	189609	1E08	28	199978	2E10	11		1E10	50
169509	1A09	4	177563	1E11	7	189614	1E10	12	200454	1E11	8	221501	2E05	4
169559	1E02	1	177574	1E01	5	189615	1E10	33	200978	2E07	15	221560	2E06	2
169661	1E12	24	177894	1E04	1	189713	1E10	16	201752	2E06	38	221563	2E05	22
169665	1E13	38		1E04	24	190481	2A05	1	201753	2E04	49	221620	2E04	14

HYSTER COMPANY

PARTS OPERATIONS
 Danville, Illinois 61832

INDEX - NUMERICAL

PART NO	PAGE	REF NO	PART NO	PAGE	REF NO	PART NO	PAGE	REF NO	PART NO	PAGE	REF NO	PART NO	PAGE	REF NO
221024	2807	11	236075	1000	22	250713	1004	21	271322	1004	16	272977	1005	2
221030	2806	7		1007	22	250716	1013	30		1009	27	272986	2805	4
221101	2805	30	236074	1006	29	251094	2005	14	271334	1006	3	272987	2805	5
221103	1F07	38		1007	29	252101	1803	35	271339	1006	5		2507	44
221104	1F07	8	236001	1000	31		1004	31	271345	1007	16	272988	2905	8
221106	1E03	15		1007	31	252183	1004	4	271479	2801	16	272990	2805	65
221133	1A09	13	236002	1006	32	253085	1810	4	271494	1009	10	272991	2805	48
221169	1B06	5		1007	32	253900	1810	4	271495	1009	11	272992	2805	50
	2807	4	236004	1006	17	253907	1810	4	271496	1009	13	272995	2809	6
221171	2805	71	236213	1004	3	253908	1808	20	271497	1009	14	272996	2809	
222002	1003	23	230992	1004	19	253993	1808	20	271666	1009	18	272998	2809	7
	1004	41	230920	1005	31	253991	1808	41	271667	1009	19	273012	2005	21
222426	2E09	25	241079	2805	14	255145	2007	15	271668	1009	20		2514	
222441	2E13	4		2E05	43	256219	1004	10	271845	1008	5	273016	2005	20
222443	2E17	6	242114	1011	18	257077	1002	3	271852	1008			2E14	
	2E12	3	242147	2411	13	257600	1812	14	271858	1008	55	273017	2005	37
	2E13	5		2414	9	257603	1813	2	271861	1008	60		2E14	
222480	1006	10	241505	2007	13	258171	2009	27	271871	1008	2	273019	2705	19
222671	2A05	6	241806	2009	6	258172	2009	23	271925	2400	8	273059	1803	2
	2C04	15	244900	1808	58	258590	1803	16	271926	2406	9		1004	2
222744	1A06	20	244901	1810	66	259099	2400	6	271927	2406	4	273060	1F03	3
222936	1C01	29	244903	1808	12	260379	1008	33	271928	2406	5	273061	1F03	7
243090	1E08	15	244906	1808	21	260651	1004	26	271929	2406	5	273062	1F03	9
223095	1E08	8	244907	1808	21	261676	2406	4	272007	1003	15	273063	1F03	10
223123	1B11	1	244909	1810	5	261889	1001	34	272024	2005	6	273064	1F03	11
223940	1003	13	244910	1810	5	262204	1005		272041	1005	16	273066	1F03	27
224248	1012	12	244911	1810	5	262929	1009	5	272128	1008	62	273080	2C06	16
224373	1005	3	244915	1008	25	263079	1006	6	272135	1008	64	273100	2005	12
226115	1C04	5	244916	1008	25	263095	1006	1	272150	1008	61		2E14	
226972	1F04	8	244917	1008	25	263759	1810	10	272151	1008	63	273134	1F03	3
227096	1E07	14	245232	1810	13	263850	1810	22	272825	1A06	16	273137	1F03	4
228932	1004	9	245784	1004	24	264156	2405	30	272828	1A06	17	273159	2C09	17
279166	2005	17	245800	1813	23	264166	1A08	26	272849	1A06	3	273324	1004	6
	2E14		245884	1004	25	264170	1A08	17	272857	1811	10	273488	2802	23
229802	1B13	8	246479	1010	30	264214	1817	33	272858	1811	10	273490	2902	74
229849	1C02	12	246481	1810	44	265233	1810	14	272859	1811	7	273492	2902	2
229875	1C04	28	247110	2004	41	265502	1810	1	272863	1811	7	273495	2802	65
229877	1E12	4	247111	2004	13	265509	1808	34	272867	1806	1	273496	2902	16
229878	1B12	13	247140	2004	7	265522	1808	25	272868	2A06	11	273498	2902	20
229879	1010		247141	2004	40	265523	1808	25	272875	1A06	7	273499	2802	3
229983	1009	29	247142	2004	16	266472	1813	29	272876	1F03	21	273500	1E05	18
230351	2802	9	247399	1E05	24	266501	1907			2E14		273503	1E05	28
230352	2802	13	247424	1E05	5		1908		272977	1803	25	273507	1E03	9
241014	2807	8		1E05	19		1910			1804	26	273508	1E03	30
241858	1B11	2	247518	1E05	17	268355	1E05	6		2E14			1E04	23
242189	2410	24	247890	2405	1	268356	1E08	14	272878	2A07	8	273702	2C08	8
243043	2F13	3	248091	1011	12	268996	1003	12	272886	1805	5	273703	2E08	9
	2E13	8	248096	1011	15	270876	2405	2	272924	2A06	2	273732	1F03	6
244564	1004	11	249468	1013	17		2405	3	272926	2802		273733	1F03	16
236024	2006	2	250119	1804	10		2405	15	272927	2A06	2		2E14	
236026	2306	6	250120	1004	10		2405	21	272928	2A06	6	273738	1E03	24
236068	1E06	10	251123	1804	10		2405	22	272959	2A07	1	273744	1E03	34
	1E07	10	251123	1004	10	270952	2004	9	272962	2405	19		1E04	26
236059	1E04	3	250701	1013	43		2E14		272963	1F06		273775	2405	13
	1E07	3	250702	1813	39	271288	2009	22	272965	1E03	1	273875	2802	22
236070	1E08	4	250704	1012	1	271298	1813	30		1004	1	273876	2802	75
	1E07	4	250706	1004	2	271299	1814	15	272966	1004	5	273877	2802	59
236074	1E06	21	250704	1004	14	271319	1004	1	272976	2004		273878	2802	56
	1E06	30		1004	7	271320	1004	1		2806		273879	2802	51
	1E07	21	250710	1004	7	271321	1004	15		2807		273880	2802	17

INDEX - NUMERICAL

PART NO	PAGE	REF NO	PART NO	PAGE	REF NO	PART NO	PAGE	REF NO	PART NO	PAGE	REF NO	PART NO	PAGE	REF NO
273881	2802	14	274370	1E09	7	276516	1F06	38	276752	2A12	13	276831	2B04	35
273882	2802	50	274405	1B10	16	276517	1F06	39	276753	2A12	9	276834	2B04	35
273884	2802	17	274406	1B10	16	276519	1F06	37	276754	2A12	24	276835	2B07	14
273885	2802	55	274426	2C07	6	276520	1F06	41	276755	2A12	8	276836	2B07	10
273885	2802	36	274427	2C07	6	276521	1F06	49	276757	2A12	15	276838	2B07	6
273897	2802	14	274430	2C07	16	276522	1F06	50	276758	2A12	16	276840	2B07	11
273898	2802	74	274433	2C07	14	276523	1F06	42	276759	2A12	17	276841	2B07	17
273899	2802	60	274548	2C07	7	276524	1F06	43	276760	2A12	19	276842	2B07	19
273898	2802	7	275051	1B08	59	276596	2A12		276761	2A10	17	276843	2B07	21
273895	2802	33	275187	1B08	48	276700	2A10	1	276761	2A12	18	276844	2B07	22
273901	2802	29	275188	1B08		276701	2A10	2	276762	1E03	27	276845	2B07	18
273902	2802	29	275189	1B10	37	276702	2A10	7	276762	1E04	26	276846	2B07	25
273903	2802	35	275191	1B10	21	276703	2A10	3		2A12	43	276848	2B07	31
273904	2802	35	275239	1B08	40	276706	2A10	20	276763	2A12	7	276852	2B07	27
273905	2802	34	275240	1B08	45	275707	2A10	27	276764	2A12	21	276854	2B06	41
273906	2802	33	275246	1B08	54	276710	2A10	22	276766	2A12	36	276855	2B06	13
273908	2802	39	275259	1B06	11	276711	2A10	21	276767	2A12	39	276856	2B06	15
273909	2802	12	275260	1B06	7	276712	2A10	26	276769	2B07	4	276857	1F07	1
273910	2802	48	275263	1B08	18	276713	2A10	24	276776	2B04	4	276858	1F07	2
273911	2802	61	275271	1B08		276715	2A10	9	276778	2B07	23	276859	1F07	3
273912	2802	52	275274	1B08		276716	2A10	14	276779	2B07	24	276860	1F07	10
273913	2802	36	275299	2B02	72		2A11	1	276780	2B04	3	276862	1F07	11
273914	2802	57	275577	1B03	32		2A14	1	276761	2B04	9	276863	1F07	12
273915	2802	45		1B04	35	276717	2A10	11	276765	2B06	12	276864	1F07	13
273916	2802	11	275593	2A07	9	276718	2A11	22	2B07	36	276868	1F07	16	
273917	2802	44	275648	1C05	45	276719	2A14	15	276786	2B06	1	276869	1F07	18
273918	2802	10	275674	1A09	1	276720	2A11	7	276788	2B06	3	276870	1F07	19
273919	2802	10	275721	2B04	17		2A14	14	276789	2B06	40	276872	1F07	20
273920	2802	13	275740	1B06	4	276721	2A11	9	276790	2B06	26	276873	1F07	21
273921	2802	10		1B08	56		2A14	13	276791	2B06	28	276874	1F07	22
273922	2802	54	275912	2B08		276722	2A11	14	276792	2B06	27	276875	1F07	23
273923	2802	15	276262	2B09	3	276723	2A11	15	276793	2B06	31	276876	1F07	24
273924	2802	26	276263	2B09	4	276724	2A11	16	276794	2B06	10	276877	1F07	25
273925	2802	53	276264	2B09	5		2A14	6	276795	2B06	32	276878	1F07	26
273929	2802	47	276440	2B04	8	276725	2A11	13	276798	2B06	17	276879	1F07	27
273930	2802	69	276475	1F06	44		2A14	11	276800	2B06	19	276880	1F07	28
273931	2802	72	276476	1F06	1	276726	2A11	10	276802	2B06	21	276881	1F07	29
273932	2802	21	276477	1F06	2		2A14	12	276803	2B06	22	276882	1F07	30
273933	2802	44	276480	1F06	5	276727	2A11	12	276804	2B06	7	276883	1F07	32
273934	2802	68	276481	1F06	6		2A14	10	276805	2B04	20	276884	1F07	33
273935	2802	21	276482	1F06	7	276729	2A11	17	276806	2B04	22	276885	1F07	36
273940	2802	72	276486	1F06	11		2A14	3	276808	2B04	19	276886	1F07	
273941	2802	64	276487	1F06	12	275730	2A11	23	276809	2B04	19	276887	1F07	
273942	2802	42	276488	1F06	14	276732	2A11	18	276810	2B04	7	276888	1F07	1
273943	2802	67	276490	1F06	16	275733	2A11	6	276811	2B04	30	276890	1F07	11
273950	2802	71	276491	1F06	17	275734	2A11	19	276812	2B04	21	276891	2B06	8
273951	2802	75	276492	1F06	18	276735	2A11	3	276813	2B04	13	276892	2B06	11
273952	2802	63	276494	1F06	20	276737	2A11	23	276814	2B04	14	276894	2B06	24
273954	2802	62	276496	1F06	22		2A14	5	276815	2B04	12	276497	2B07	3
273955	2802	40	276497	1F06	45	276739	2A14	14	276816	2B04	13	276896	2B04	17
273956	2802	4	276499	1F06	24	276741	2A14	22	276817	2B04	15	276899	2B07	3
273957	2802	4	276511	1F06	26	276742	2A12	1	276818	2B04	10	275900	2B04	34
273958	2802	19	276502	1F06	27	276743	2A12	2	276819	2B04	23	275901	2B07	30
273959	2802	38	276513	1F06	28	276744	2A12	4	276820	2B04	25	276902	2B07	34
274242	1B10	45	276505	1F06	29	276746	2A12	6	276821	2B04	24	276903	2B07	35
274247	1B08	52	276506	1F06	46	276747	2A12	13	276827	2B04	23	276905	2B06	14
274364	1E09	2	276509	1F06	37	276748	2A12	23	276828	2B04	25	276906	2B04	26
274366	1E09	4	276510	1F06	34	276749	2A12	10	276829	2B04	27	276908	2B06	6
274367	1E09	3	276514	1F06	48	276750	2A12	11	276850	2B07	1	276909	1F07	
274368	1E09	6	276519	1F06	37	276751	2A12	10	276832	2B07	2	276910	1F07	

HYSTER COMPANY

PARTS OPERATIONS

Davilla, Illinois 61832

INDEX—NUMERICAL

PART NO	PAGE	REF NO	PART NO	PAGE	REF NO	PART NO	PAGE	REF NO	PART NO	PAGE	REF NO	PART NO	PAGE	REF NO
276911	1F07	4	282804	2406	10	291694	2414	12	299843	1E03	26	306849	2E04	1
276912	1F07	17	284078	1E05	7	291695	2414	10		1E04	27	306931	1E05	4
276913	1F07	31				291696	2414			2412	35	306933	1E05	6
276956	1D11	25	284097	1D11	24	291697	2414	17	299895	2E08	10	306935	2407	4
276976	2A08	10	284960	2006		291726	2411	10	301195	1E10	13	306946	1E05	12
276992	2A10	5	285365	1E03	14	291951	1D03	2	301304	1E12		306947	1E05	14
277025	2A10	33	291704	1006	13		1D04	28		1E13		306948	2E05	20
277026	2A10	35	292024	2E09		291958	1E03	21		1E14		306949	1E03	16
277028	2A14	25	286050	1E09			1E04	39		1E01		307014	1A06	22
277029	2A14	26	286031	1E09	1	291974	1E05	13		1E02		307133	2A11	14
277030	2A14	27	288052	1E09	3		1E06	19		1E03			2A14	8
277031	2A14	28	288033	1E09	7	292781	1E04	9		1E04		307134	2A11	15
277034	2A12	14	288034	1E09	8	292782	1E04	9		1E04			2A14	7
277035	2A11	2	288035	1E09	15	292790	2E09	28		1E09		307534	2E03	42
277036	2A11	20	288036	1E09	21	292792	2E09	31		1E10			2E05	4
	2A14	4	288144	2E04	2	292793	2E09	9		1E08		307810	2A14	17
277037	2A08	1	288731	2E10	1	293323	2A10	16		1E08		307878	2E04	14
277039	2A08	3	288732	2E10	9	296604	1E06	1	301306	1E05	33	307889	2E04	19
277041	2A08	5	288733	2E10	8	296605	1E06	8	301398	1E05	32	307890	2E04	16
277072	1E07	10	288915	1E06	19		2E14		301399	1E04	8	308640	2E04	5
277073	2E02	66	288916	1E06	38	296617	1E11	17	301540	2E07		309062	2E10	13
277088	1E11	28	288917	1E06	1	296618	1E11	17	301571	1E05	7		2E11	10
277188	2E09	2	288919	1E06	25	297026	1E14	14		1E06	14	309301	1E08	
277191	2E09	29	288957	1E06	37	298096	1E04	16	301900	1E04	34		1E10	
277454	2A07	9	289348	1E08	18	298126	1E03	28	301915	1E03	4		1E11	
277996	1E05	13	290300	1E08	13	298127	2E06	14		1E04	34		1E09	
278849	1E05		290301	1E08	7	298132	1E03	31	301917	1E04	36	309803	2A10	
278860	1E10	60	290303	1E08	10	298133	1E03	18	301967	1E08			2A14	
279026	1A06	11	290369	1E08	11	298134	2E05	36		1E10		309804	2A08	
279033	1E03	34	290370	1E08	12	298138	1E03	15		1E11		309805	2A08	
279683	1E10	41	290508	1E08	3	298139	1E03	21		1E03		309823	2E04	18
279689	1E08	32	290509	1E08	29	298551	2A14	6	301977	1E10	25	309863	2A08	8
279940	1E10	52	290732	1E05	7	298552	2A14	4	302723	1E03	4	309864	2A08	9
280004	2E10					298553	2A14	2	302726	1E04	33	309871	2E04	1
280025	2E03	25	290734	1E05	7	298554	2A14	3	302727	1E04	35	310081	1E08	1
280419	2E04	7				298555	2A14	11	302729	1E05	8	310085	1E08	2
280456	1E04	13	290735	1E05	7	298556	2A14	13	302731	1E05	6	310087	1E08	23
280458	1E14	11				298557	2A14	8	302732	1E05	7	310088	1E08	21
280459	1E14	11	291414	2E09	7	298558	2A14	17	302740	2E08		310060	1E03	39
280501	1E07	34	291416	2E09	3	298559	2A14	5	303010	1E11	22		1E04	40
281158	1E08	20	291418	2E09	15	298560	2A14	14	303396	1E05	5	310961	1E04	16
281576	2E07		291420	2E09	17	298561	2A14	19	303704	1A08	25	310967	1E03	11
281597	2E04	25	291421	2E09	20	298562	2A14	18	303707	1E05	9	310971	1E03	5
281598	2E04	26	291422	2E09	16	298563	2A14	23	303712	1E05	27	311276	2E08	6
281613	2E10	4	291546	1E01	23	298564	2A14	16	303713	1E03	8	311277	2E08	7
281815	2E10		291547	1E01	26	298565	2A14		305100	1E08	34	311278	2E08	13
281816	2E07	1	291548	1E01	25	298567	1E07	10	306825	2E10		311279	2E08	11
281817	2E07	8	291549	1E01	4	298568	2E09	1	306826	2E11		311280	2E08	19
281818	2E07	11	291682	2A10	8	298569	2E09	7	306827	2E11		311362	2A08	4
281820	2E07	6	291683	2A10	30	299750	2A06	2	306828	2E08		311363	2A06	5
281821	3D17	14	291684	2A10	15	299752	2E05	31	306831	1E05	5	311515	2E05	52
281822	2E07		291685	2A10	15	299754	1E03	33	306832	2E05	17	311516	1E05	1
281823	2E10	14	291686	2A10	16	299755	1E03	32	306833	2E05	16	311518	2A05	2
281842	1E04	25	291687	2A10	4	299758	1E05	11	306834	2E05	14	311522	2A05	3
281843	1E04	25	291688	2A10	33	299764	1E03	26	306835	2E05	14	311524	2A05	11
281846	1E04	9	291689	2A10	47	299765	1E03	4	306841	2E05	18		2A05	26
281853	2E10	11	291690	2A14		299770	2E05	34	306842	2E06	1	311525	2A05	12
281870	1E04	30	291691	2A14	2	299771	2E05	30	306844	2E05	11	311526	2A05	15
282666	1E06		291692	2A14	15		2E14		306846	2E05	1	311530	2A05	18
282684	2A06	6	291693	2A14	19	299774	2A06	15	306847	2E05	9	311531	2A05	16

HYSTER COMPANY

PARTS OPERATIONS
Osmelle, Illinois 61822

INDEX - NUMERICAL

PART NO	PLATE	REF NO	PART NO	PAGE	REF NO	PART NO	PAGE	REF NO	PART NO	PAGE	REF NO	PART NO	PAGE	REF NO
311035	2405	21	311846	2005	57	313904	2805	22	319200	2809	1	321750	2809	2
311037	2405	22	311847	2005	46	313906	2005	14	319207	2809	13	321757	2808	3
311040	2405	9	311845	2103	16	313909	2805	23	319274	2804	29	321758	2808	3
311543	2405	25	311855	2804	4	314539	1910	7	319673	2804	21	321755	2810	1
311560	2805	1	311856	2804	20	314890	1F08	2	319676	2804	39	321760	2810	9
311612	1A36	10	311857	2804	21	314891	1F08	7	319677	2804	18	321761	2810	5
311623	1A36	13	311857	2803	15	314893	1F08	9	319678	2804	14	321762	2810	3
311626	2804	1	311868	1A06	28	314899	1F08	12	319679	2804	19	321762	2810	6
311635	2804	11	311867	1E04	11	314899	1F08	13	319680	2804	19	321762	2810	4
312640	2806	41	311892	1E03	18	314896	1F08	14	319691	2805	14	321763	2810	7
312646	2804	29	311893	2806	2	314897	1F08	15	319692	2804	20	321764	2810	4
	2807	22	311896	1A06	27	314898	1F08	16	319696	2805	11	321765	2810	3
311690	2F05	1	312942	1A08	64	314899	1F08	16	319696	2805	11	321766	2810	12
311682	1A36	15	313043	1E04	20	314899	1F08	11	319697	2807	2	321767	2810	3
311684	1A06	15	313042	1E04	19	314982	1E03	7	319698	2804	26	321768	2810	2
311690	2804	35	313043	1E04	21		1E04	26	320825	2806	7		2811	1
311691	2304	36	313045	1F06	21	314986	1908	1	320828	2806	22	321769	2811	2
311696	2807		313046	1F08	24	314993	2809		320835	1A06	40	321770	2811	6
311714	2806	13	313047	1F03	27	315991	1F08	25	320841	2809	35	321771	2811	7
311724	2805	63	313048	1F03	29	315996	1F08		320846	1A06	39	321772	2810	15
311734	2806	1	313049	1F08		316844	1A08	29	320847	1A06	38		2811	12
311735	1A06	31	313901	1E04	4	317225	1A06	29	321205	2803	33	321773	2811	13
311740	2806	33	313902	1E04	10	317226	1A08	29	321207	2806	8	321774	2811	1
311781	1A36	12	313916	1E05	12	317353	1F04	12	321210	2803	4	321900	2811	1
311782	1A36	33		1E06	18	317354	1E03	3	321212	2803	18	321901	2811	10
311783	2803	47	313921	1E03	25		1E04	31	321223	1A06	41	321902	2811	8
	2805	3		1E04	19	317355	2A05	27	321429	2807	15	321903	2811	9
311784	2803	46	313923	2A05	4	317359	1E06	12	321430	2807	14	321904	2811	7
	2805	13	313928	1E05	6	317363	2803	48	321431	2807	6	321905	2811	5
311785	2805	8	313930	2812		317365	1E05	3	321432	2807	4	321906	2811	17
311796	2803	44	313931	2812		317366	1E05	5	321433	2807	11	321907	2811	13
311788	2803	34	313932	2806		317367	1E05	2	321434	2807	8	321908	2811	12
311789	2804	11	313944	2807	1	317368	1E03	19	321435	2807	13	321909	2811	1
311790	2804	8	313945	2807	2	317372	1A06	21	321436	2807	12	321911	2811	16
311792	2804	13	313949	2806	18	318426	1A06	2	321437	2807		321916	1E05	7
311793	2804	36	313950	2806	19	318427	2E14	4	321438	2807	9		1E06	14
	2814		313951	2E06	21	318430	2804	8	321439	2807	5	322179	1E08	
311801	2803	40	313952	2806	2	318438	2804	20	321440	2807	7	322175	1A08	13
	2804	7	313953	2108	1	318441	2804	4	321443	1F03	17	322179	1A08	4
	2805	12	313955	2808	5	318442	2804	2	321444	1F03	42	322280	2803	39
311802	2803	41	313956	2804	6	318443	2804	3	321490	1E03	17		2804	8
	2804	16	313958	2808	10	318444	2803	2		1E04	38		2805	11
311804	2804	3	313959	2109	12	318446	2807	24	321491	1E03	37	322291	1A08	12
	2805	10	313960	2809	11		2814			1E04	38	322282	2A12	24
311806	2803	35	313975	2805	24	318447	2807	16	321492	1E03	15	322284	1A08	27
	2804	17	313975	2804	25	318448	2807	17		1E04	38	322286	1A08	6
311806	2803	49	313977	2807	4	318504	1E11	38	321444	2804		322287	1A08	7
311814	2803	13		2814		319250	2813	15		2806		322288	1A08	8
311817	2803	23	313979	2813	8	319251	2804	33		2807		322289	1A08	9
311814	1E11	42		2814			2807	23	321495	2807		322290	1A08	10
311825	2A05	29	313960	2809	21	319252	2807	14	321496	2809	7	322291	1A08	11
311828	1F04	10		2814		319253	2F07	18	321498	1A06	1	322293	1A08	19
311831	1F04	1	313962	2A05	29	319254	2808	17	321655	2813		322294	1A08	20
311835	1F04	3	313963	2809	23	319255	2808	16	321668	1A08	18	322296	1A08	22
311837	2805	36		2814		319258	2806	43	321669	1A08	15	322297	1A08	21
311840	2803	14	313984	2803	11	319259	2804	34	321670	1A08	3	322296	1A08	16
311842	2803	29	313985	2803	12	319260	2813		321571	1A08	2	322299	1A08	24
	2805	33	313986	2A05	20	31926	2809	11	321673	1A08	14	322294	2803	3
311844	2805	56	313990	2807	14	31925	2805	31	321732	1E08	57	321225	2807	4
311845	2805	58	313991	2807	15	31926	2809	2	321755	2808	1	321226	2807	6

HYSTER COMPANY

PARTS OPERATIONS
 Chicago, Illinois 61832

INDEX — NUMERICAL

PART NO	PAGE	REF NO	PART NO	PAGE	REF NO	PART NO	PAGE	REF NO	PART NO	PAGE	REF NO
323227	2007	0	327450	2E05	26	335832	2806	18	985222	1C04	24
323247	2A12		327466	2006		335833	2806	20	985299	1C04	3
323248	2A12	1	327918	1B13	9	335834	2806	36		1C04	7
323249	2A12	2	327927	1A06	30	335835	2806	34	985567	1D09	25
323251	1A08	1	328018	1B12	5	335836	2806	32	985588	1C02	39
323262	2C06	42		1B12	28	335837	2806	33	985681	1F08	4
323263	2C06	17	328022	1C02	14	335838	2806	35		1F08	10
323272	2C06	50	328043	1B13	32	335856	1E05	29	986072	1D10	
323273	1A06	32	328047	1C01	10	335860	1E05	30	986104	1C03	6
323275	2A12	5	328053	1C05	5	336550	1B03	41	986182	1C05	2
323286	2A12	7	328058	1B17			1B04	37	986415	1C02	14
323287	2A12	12		1B13		336583	1B13	1		1C02	42
323288	2A12	21		1C02			1B14		990332	1C01	21
323289	2A12	23		1C03		336836	2C07		990334	1B13	21
323290	2A12	24		1D09		339736	1B03	39		1C02	16
323291	2A12	25	328059	1B03	5		1B04	30	990429	1B12	15
323292	2A12	26		1C02	45	342724	2009	14	990430	1B13	5
323293	2A12	31	328086	1A06	5	344234	1E08	19	991423	1B13	22
323294	2A12	34	328087	1A06	6	345453	1B03	40	992003	1B14	12
323295	2A12		328095	2C06	26		1B04	36	992025	1C02	20
323297	2A12	8	328097	1F03	43	349454	1B03	38		1C02	41
323299	2A12	30	329619	2C06	12		1B04	32	992393	1B13	10
323300	2A12	27	329722	1E05	4	375151	1A08	28	992628	1B12	6
323301	2A12	29	329803	1A08	23	391263	1B11	26		1C01	23
323305	2C07	8	331873	2A12	32	393502	2A05	13		1C01	24
323386	2B09		333402	2308	2	393829	1B03	26		1C01	34
	2E12		333403	2B08	1		1B04	24		1009	41
	2E13		334991	2D07	1		2E14		992629	1B13	33
323389	2E13		334992	2D07	8	636071	2E11	20		1C01	3
323390	2E12	1	334993	2C07	11	636692	2E11	4		1009	8
	2E13	1	334995	2D07	6	636901	2E11	18	992630	1C04	5
323391	2E12	2	334996	2D07	14	636907	2E11	2	992631	1C02	43
	2E13	2	334997	2D07	1	637162	2E11	19	992632	1B12	9
323392	2E17	4	335601	2B04	1	637168	2E11	3	992647	1F08	23
323393	2E12	5	335602	2B04	23	637565	2E10	14			
323394	2E12	1	335603	2B04	25		2E11	11			
323395	2B08	2	335604	2B04	24	981260	1D04	2			
323500	2B08	5	335606	2B04	23		1D04	18			
323501	2E13	1	335607	2B04	25	981608	1F08	28			
323502	2E13	2	335608	2B04	20	981652	1D04	26			
323503	2E13	5	335609	2B04	20	982226	1C04	25			
323504	2E13	4	335610	2B04	18	982234	1D04	23			
326300	2A11	22	335611	2B07	2	982302	1C01	12			
326301	2A11	15	335613	2B07	9	982352	1B09	4			
	2A14	6	335614	2D07	21	982951	1D04	26			
326302	2A13	16	335615	2B07	23	983244	1B13	42			
	2A14	7	335616	2B07	25	983301	1C02	14			
326304	2A14	19	335617	2B07	33		1C02	37			
326305	2A14	20	335618	2B07	32	983319	1F08	72			
326306	2A14	23	335620	2B04	35	983340	1D09	32			
326307	2A14	24	335621	2B04	37	983343	1D04	6			
326999	2D09	1	335622	2B04	37	983346	1D04	17			
326996	2D09	3	335623	2B04	10		1D09	22			
326997	2D09	5	335624	2B06	1	983348	1D04	24			
326999	2D09	30	335625	2B06	1	983464	1D04	27			
327125	1A06	33	335627	2B06	27	984336	1C01	33			
327126	1A06	31	335628	2B06	26	984383	1D04	6			
327127	2C04	12	335629	2B06	19	984632	1B13	16			
327129	2C04	13	335630	2B06	23	984845	1D04	10			
327452	2E02	38	335831	2B06	24	985218	1B13	43			



Road Development

Ingersoll-Rand Company
312 Ingersoll Drive
Shippensburg, PA 17257

©2000 Ingersoll-Rand Company
Printed in U.S.A.