

Directions for use of Parts Catalogue

1. Applicable model of machines

All component and option parts used for TMG18 tractors are listed in this parts catalogue.

NOTES : H.....HST

S.....INDEPENDENT PTO CLUTCH

V.....AUX VALVE

M.....MID PTO

U.....POWER STEERING

E42.....EUROPE AND OCEANIA WITH TURF TYPE

2. Explanation for head paragraph

KEY	PART CODE	DESCRIPTION	QTY	TYPE OF MODEL					I T C	C O L	G R P	REMARKS
				TF15	TF17	TF19						
126	1614-508-200-00	FILTER(SUCTION) ASSY	1		*						4E	
127	V721-103-103-50	O-RING	1		*							
128	1614-508-260-00	FILTER(SUCTION) ASSY	1		*	981- -1799						
129	1614-508-262-00	FILTER(LH)	1	*	*	*						FIG. 164
		ASSY	1	*	*	*					4E	A
			1	*	*	*						
						1- -1999			3			
						*						

- ① KEY shows the location of parts diagramed in the illustration.
- ② Parts numbers begin with `V` and `W` are standard parts of the market.
- ③ `LH` and `RH` on the parts name are described against the moving direction of the machine or are described on the condition how to install parts on the machines.
- ④ QTY shows the number of parts to be used for one unit of machine.
 `M` is indicated for parts supplied by a meter long.
 `ℓ` is indicated for parts supplied by liter.
 `AR` is indicated for parts need to be adjusted or regulated.
- ⑤ The following symbol classifies parts to be used for machines.
 `*` means standard parts.

`T` shows that the parts can be installed as optional parts.

`R` shows that the parts can be used as applicable parts to replace originally equipped parts.

- ⑥ Serial number : upper row shows the serial number for the first product and lower row for the last product.

Example : Serial no. 1 through to serial no. 1999.

- ⑦ ITC : Interchangeability

`1`...OLD ← NEW

New parts can be used in place of the old parts.

`2`...OLD → NEW

Old parts can be used in place of the new parts.

`3`...OLD →← NEW

Old parts and new parts can not be replaced each other.

- ⑧ COL : Color code

Color is signified with color code number for colored parts.

Please see the color list shown in the next page.

- ⑨ GRP : Parts shown in this column can be replaced by SET parts.

Exsample : Parts marked Ⓐ can be replaced by parts marked Ⓑ, and Ⓓ for Ⓒ, so the rest follow in the same alphabetical order.

- ⑩ Remarks

* Other maker's part code number is shown in this column.

* When Fig. No. is shown in the Remark column of SET parts or ASSY parts, each of their component parts are listed in said Fig. No.

3. Color :

The following colors are used for color parts.

COLOR CODE	COLOR	SPRAY TYPE CODE NUMBER	PAINTS 4K DRUM	PAINTS 16K DRUM
4 G	CRYSTAL BLUE	1300-957-001-10	1300-957-003-00	1300-957-004-00
5 I	SUNSET GRAY	1300-959-001-10	1300-959-003-00	1300-959-004-00
6 G	SUMMER WHITE	1300-958-001-10	1300-958-003-00	1300-958-004-00
7 F	MIRROR BLACK	1300-954-001-10	1300-954-003-00	1300-954-004-00
8 F	BRILLIANT BROWN METALLIC	1300-972-001-10	1300-972-003-00	1300-972-004-00

NOTE : Color code is signified only for the parts assigned by the maker as color parts.

4. Serial Numbers:

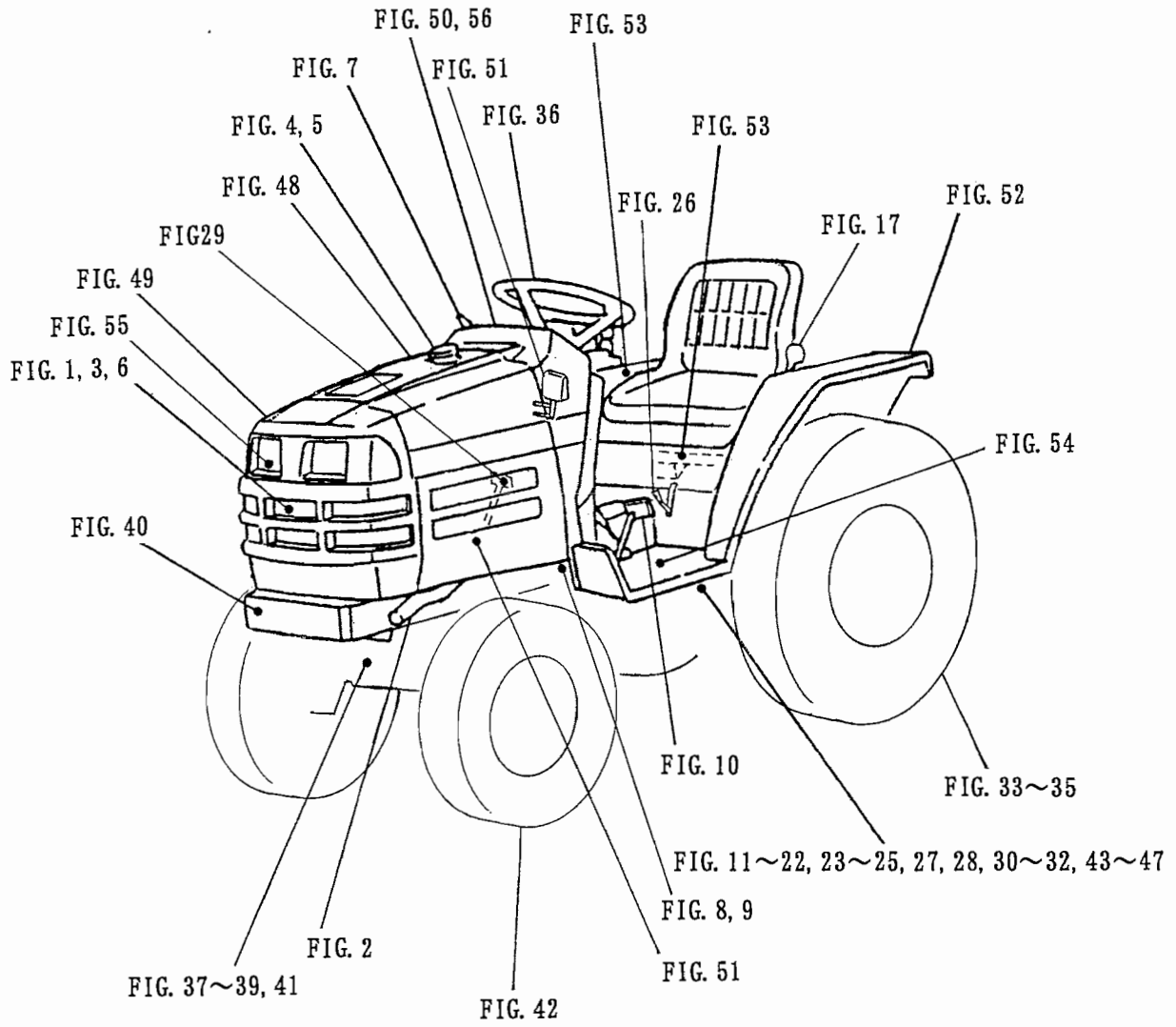
- 1) For engines serial number is stamped on CYLINDER BLOCK ASSY.
Please see Fig.No. 5-1.
- 2) For chassies serial number is shown on the LABEL.
Please see



5. Parts Order

- 1) Parts numbers listed in the parts catalogue are all registered in "ISEKI on-line computer".
- 2) When you order parts, please make sure of correct numbers.
- 3) When substitute parts is available, the part number ordered will be automatically turned to a new part number.
- 4) Please be sure to use "ISEKI GENUINE PARTS".

Any other similar parts other than ISEKI parts when used may cause a trouble that makes us unable to repair or guarantee the warrant.



CONTENTS

TMG18-EXCEPT S TYPE ENGINE (E393-G)

CYLINDER HEAD	Fig. 1
CYLINDER HEAD COVER	Fig. 2
INLET MANIFOLD	Fig. 3
EXHAUST MANIFOLD	Fig. 4
CYLINDER BLOCK	Fig. 5
BEARING UNDER SIZE (OPTION)	Fig. 6
OIL FAN	Fig. 7
REAR PLATE	Fig. 8
TIMING GEAR CASE	Fig. 9
HANGER	Fig. 10
VALVE	Fig. 11
CAM SHAFT	Fig. 12
PISTON	Fig. 13
PISTON OVER SIZE (OPTION)	Fig. 14
CRANK SHAFT	Fig. 15
OIL PUMP	Fig. 16
WATER PUMP	Fig. 17
COOLING FAN	Fig. 18
INJECTION NOZZLE	Fig. 19
INJECTION PUMP	Fig. 20
F. EL. PIPE	Fig. 21
ELECTRIC (1)	Fig. 22
ELECTRIC (2)	Fig. 23
COMPONENT PARTS FOR 6215 300 - 037 - 00 ON Fig.19	Fig. 24
COMPONENT PARTS FOR 6215 600 - 129 - 10 ON Fig.20	Fig. 25
COMPONENT PARTS FOR 6261 150 - 025 - 00 ON Fig.22	Fig. 26
COMPONENT PARTS FOR 6261 200 - 005 - 00 ON Fig.22	Fig. 27

CONTENTS

TMG18 S TYPE

ENGINE (E393-G01)

CYLINDER HEAD	Fig. 1
CYLINDER HEAD COVER	Fig. 2
INLET MANIFOLD	Fig. 3
EXHAUST MANIFOLD	Fig. 4
CYLINDER BLOCK	Fig. 5
BEARING UNDER SIZE (OPTION)	Fig. 6
OIL PAN	Fig. 7
REAR PLATE	Fig. 8
TIMING GEAR CASE	Fig. 9
HANGER	Fig. 10
VALVE	Fig. 11
CAM SHAFT	Fig. 12
PISTON	Fig. 13
PISTON OVER SIZE (OPTION)	Fig. 14
CRANK SHAFT	Fig. 15
OIL PUMP	Fig. 16
WATER PUMP	Fig. 17
COOLING FAN	Fig. 18
INJECTION NOZZLE	Fig. 19
INJECTION PUMP	Fig. 20
FUEL PIPE	Fig. 21
ELECTRIC (1)	Fig. 22
ELECTRIC (2)	Fig. 23
COMPONENT PARTS FOR 6215 - 300 - 037 - 00 ON Fig.19	Fig. 24
COMPONENT PARTS FOR 6215 - 600 - 109 - 10 ON Fig.20	Fig. 25
COMPONENT PARTS FOR 6281 - 150 - 005 - 00 ON Fig.22	Fig. 26
COMPONENT PARTS FOR 6281 - 200 - 005 - 00 ON Fig.23	Fig. 27

CONTENTS

CHASSIS

RADIATOR SYSTEM	Fig. 1
MUFFLER SYSTEM	Fig. 2
AIR CLEANER SYSTEM	Fig. 3
FILTER SYSTEM	Fig. 4
FUEL TANK SYSTEM	Fig. 5
BATTERY SYSTEM	Fig. 6
ACCELERATOR SYSTEM	Fig. 7
CLUTCH SYSTEM (EXCEPT S TYPE)	Fig. 8
CLUTCH SYSTEM (S TYPE)	Fig. 9
CLUTCH PEDAL SYSTEM (EXCEPT S TYPE)	Fig. 10
TRANSMISSION CASE SYSTEM (EXCEPT S TYPE)	Fig. 11
TRANSMISSION CASE SYSTEM (S TYPE)	Fig. 12
HST SYSTEM	Fig. 13
DRIVE GEAR SYSTEM (EXCEPT S TYPE)	Fig. 14
DRIVE GEAR SYSTEM (S TYPE)	Fig. 15
2WD GEAR SYSTEM	Fig. 16
SUB LEVER SYSTEM	Fig. 17
SUB CHANGE SYSTEM	Fig. 18
PTO GEAR SYSTEM (EXCEPT S TYPE)	Fig. 19
PTO GEAR SYSTEM (S TYPE)	Fig. 20
PTO SHAFT SYSTEM (EXCEPT S TYPE)	Fig. 21
PTO SHAFT SYSTEM (S TYPE)	Fig. 22
PTO LEVER SYSTEM (EXCEPT S TYPE)	Fig. 23
PTO LEVER SYSTEM (S TYPE)	Fig. 24
MID PTO SYSTEM	Fig. 25
MID PTO LEVER SYSTEM	Fig. 26
LINK SYSTEM (EXCEPT S TYPE)	Fig. 27
LINK SYSTEM (S TYPE)	Fig. 28
PEDAL SYSTEM	Fig. 29
PIPING SYSTEM	Fig. 30

DIFFERENTIAL GEAR SYSTEM	Fig. 31
REAR AXLE SYSTEM	Fig. 32
WHEEL SHAFT AND REAR WHEEL (TURF) SYSTEM	Fig. 33
HST BRAKE SYSTEM	Fig. 34
BRAKE SYSTEM	Fig. 35
STEERING SYSTEM	Fig. 36
CYLINDER SYSTEM	Fig. 37
PIPING SYSTEM (EXCEPT S TYPE)	Fig. 38
PIPING SYSTEM (S TYPE)	Fig. 39
AXLE BRACKET AND BUMPER SYSTEM	Fig. 40
2WD AXLE SYSTEM	Fig. 41
FRONT TIRE SYSTEM	Fig. 42
PLATE CASE SYSTEM (EXCEPT V TYPE)	Fig. 43
PLATE CASE SYSTEM (V TYPE)	Fig. 44
VALVE SYSTEM (S TYPE)	Fig. 45
STACK VALVE SYSTEM (V TYPE)	Fig. 46
MAIN PIPING SYSTEM	Fig. 47
HOOD SYSTEM	Fig. 48
GRILLE SYSTEM	Fig. 49
DASH COVER SYSTEM	Fig. 50
SIDE COVER AND MIRROR SYSTEM	Fig. 51
FENDER SYSTEM	Fig. 52
LEVER GUIDE AND SEAT BRACKET SYSTEM	Fig. 53
STEP SYSTEM	Fig. 54
LAMP SYSTEM	Fig. 55
PANEL SYSTEM	Fig. 56
SWITCH SYSTEM	Fig. 57
SWITCH SYSTEM (EXCEPT S,V TYPE)	Fig. 58
SWITCH SYSTEM (V TYPE EXCEPT S)	Fig. 59
SWITCH SYSTEM (S TYPE EXCEPT V)	Fig. 60
SWITCH SYSTEM (SV TYPE)	Fig. 61
HARNES SYSTEM (S,V TYPE)	Fig. 62
HARNES SYSTEM (EXCEPT S,V TYPE)	Fig. 63
ORNAVENT LABEL	Fig. 64

LABEL (CONTROL) (EXCEPT S,V TYPE) Fig. 65
 LABEL (CONTROL) (V TYPE EXCEPT S) Fig. 66
 LABEL (CONTROL) (S TYPE) Fig. 67
 LABEL (ENGLISH) (OPTION) Fig. 68
 LABEL (FRENCH) (OPTION) Fig. 69
 LABEL (GERMAN) (OPTION) Fig. 70
 LABEL (PORTUGAL) (OPTION) Fig. 71
 LABEL (E40A) (OPTION) Fig. 72
 LABEL (E40T) (OPTION) Fig. 73
 LABEL (DUTCH) (OPTION) Fig. 74
 LABEL (E40V) (OPTION) Fig. 75
 TOOL Fig. 76

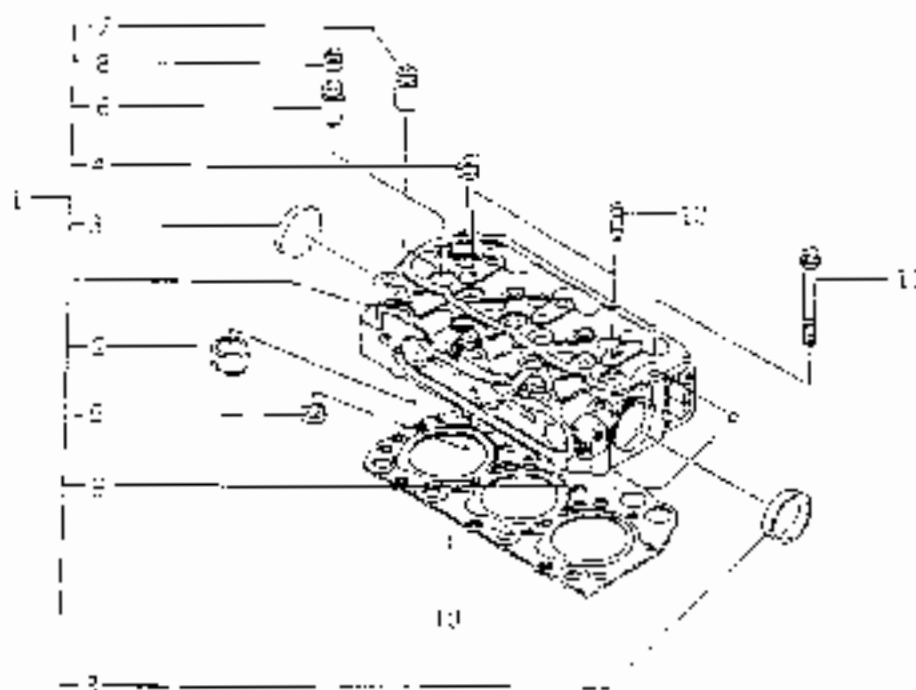
COMPONENT PARTS

COMPONENT PARTS FOR K200 - 053 - 000 - 00 ON Fig. 45 Fig. 77
 COMPONENT PARTS FOR K233 - 003 - 000 - 00 ON Fig. 38 Fig. 78
 COMPONENT PARTS FOR K233 - 006 - 000 - 00 ON Fig. 39 Fig. 79
 COMPONENT PARTS FOR 1688 - 211 - 500 - 00 ON Fig. 20 Fig. 80

WIRING DIAGRAM (E4) (1)
 WIRING DIAGRAM (E4) (2)
 WIRING DIAGRAM (E4) (3)
 WIRING DIAGRAM (E4/G/SV) (1)
 WIRING DIAGRAM (E4/G/SV) (2)
 WIRING DIAGRAM (E4/G/SV) (3)

ENGINE
E393 - G...TMG18
(EXCEPT S)

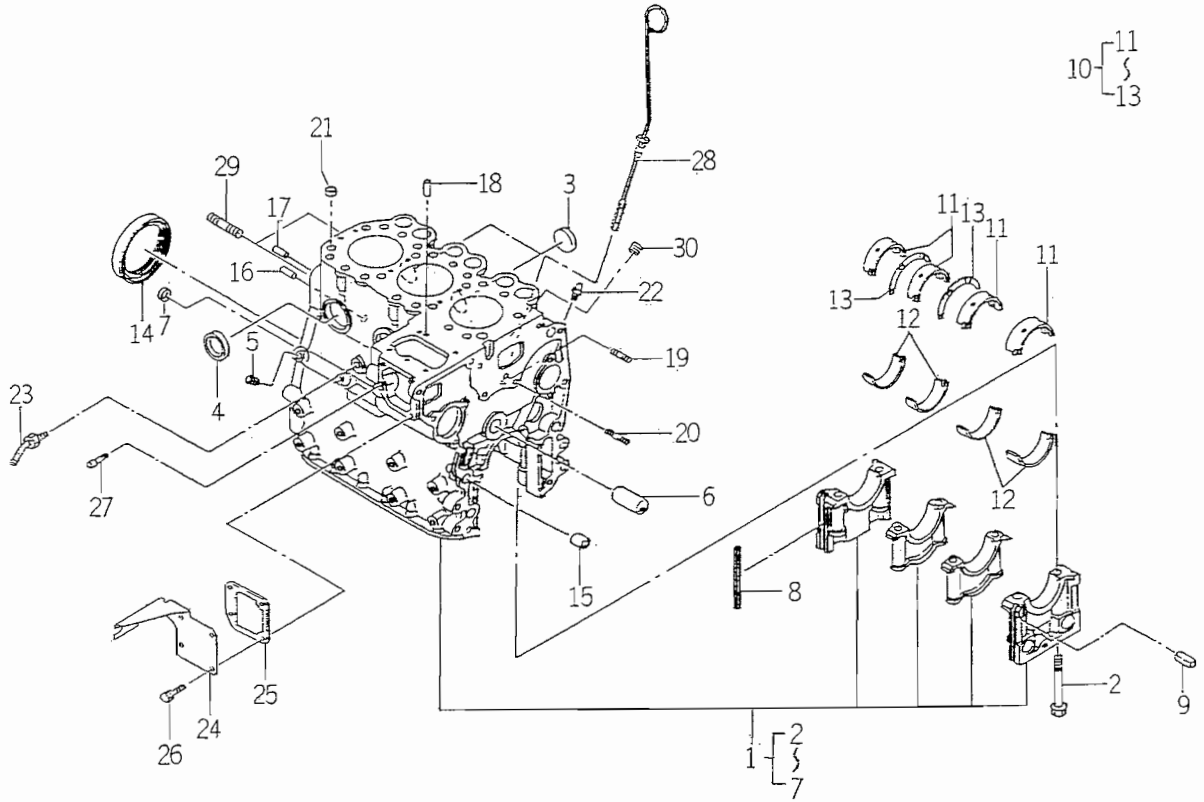
FIG. 1 CYLINDER HEAD



542100

KEY	PART CODE	DESCRIPTION	QTY	TYPE OF MODEL	I	C	G	R	P	REMARKS
				E3930						
1	6211-110-000-20	CYLINDERHEAD ASSY	1							
2	6211-150-008-00	PLUG (HOT) ASSY	3							
3	6811-129-005-00	CAP SEALING	2							
4	6708-605-004-00	PLUG/1 1/2	5							
5	6211-715-002-00	SEAT VALVE	2							
6	5711-721-001-00	GUIDE GUIDE	3							
7	6211-721-002-00	GUIDE VALVE	3							
8	6211-504-002-00	SEAL OIL	5							
9	4080-200-000-00	BALL	1							
10	6211-141-008-00	GASKET CYLINDER HEAD	1							
11	5209-000-000-00	BOLT/METER 26X32	14							
12	6909-230-212-00	STUD HEAD COVER	2							

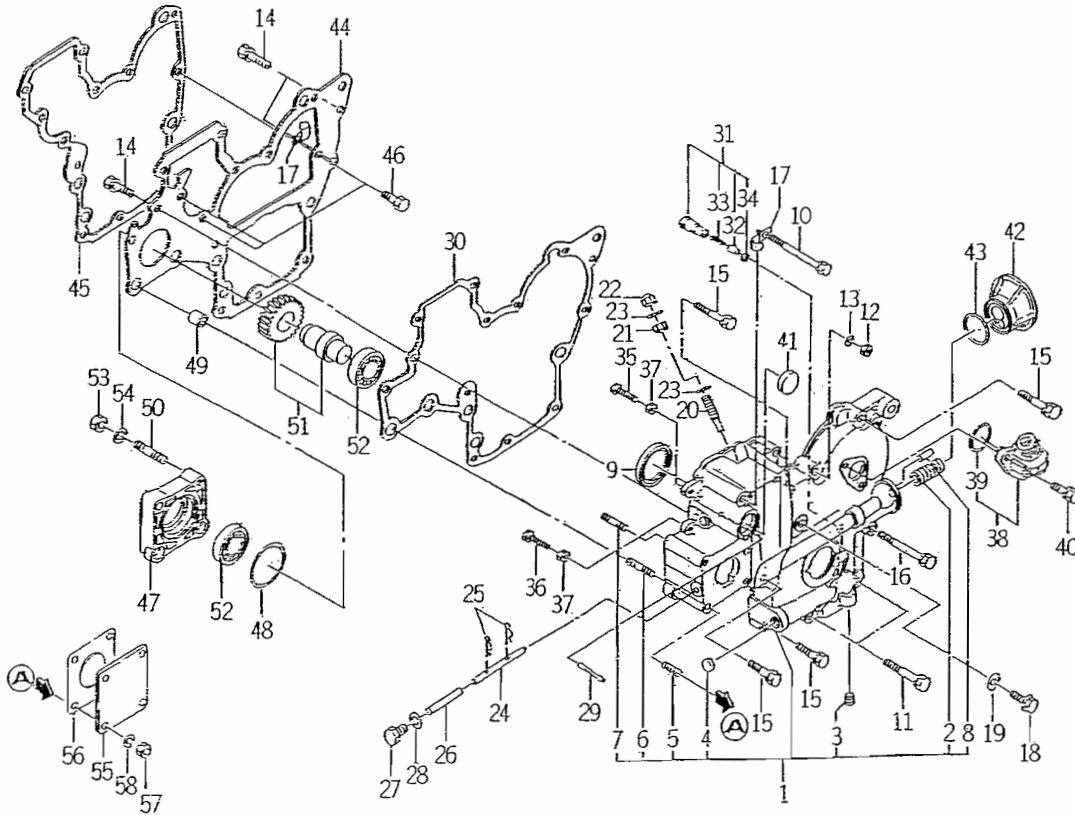
FIG. 5 CYLINDER BLOCK



6003-201Y

KEY	PART CODE	DESCRIPTION	QTY	TYPE OF MODEL		I T C	C O L	G R P	REMARKS.
				E393G					
1	6211 - 210 - 050 - 10	CYLINDERBLOCK ASSY	1	*					
2	6209 - 000 - 004 - 10	BOLT	8	*					
3	6209 - 610 - 001 - 00	CAP,SEALING	2	*					
4	6911 - 219 - 195 - 00	CAP,SEALING	4	*					
5	6509 - 605 - 019 - 10	PLUG	3	*					
6	6212 - 531 - 005 - 10	PIN/IDLEGEAR	1	*					
7	6911 - 129 - 083 - 00	CAP,SEALING	1	*					
8	6211 - 258 - 001 - 00	SEAL,BEARING CAP	4	*					
9	6211 - 258 - 002 - 00	SEAL,BEARING CAP/7	2	*					
10	6211 - 510 - 001 - 00	METAL,CRANK SET	1	*					
11	6211 - 511 - 003 - 00	BEARING/CRANK/UPPER	4	*					
12	6211 - 511 - 004 - 00	BEARING/CRANK/LOWER	4	*					
13	6211 - 599 - 001 - 10	BEARING,THRUST CRANK	2	*					
14	6209 - 625 - 001 - 00	SEAL,OIL	1	*					
15	6209 - 749 - 001 - 10	PIN,TUBE	2	*					
16	6908 - 160 - 816 - 00	PIN	1	*					
17	V523 - 100 - 802 - 40	PIN	1	*					
18	6908 - 160 - 510 - 00	PIN	2	*					
19	6904 - 110 - 818 - 00	STUD	1	*					
20	6904 - 110 - 840 - 00	STUD/M8X40	1	*					
21	6294 - 453 - 002 - 00	DOWEL	2	*					
22	6909 - 902 - 299 - 00	NIPPLE	1	*					
23	6213 - 721 - 007 - 00	PIPE/WATERDRAIN	1	*					
24	6211 - 291 - 016 - 00	COVER/INJECTIONPUMP	1	*					
25	6211 - 292 - 001 - 20	GASKET/COVER	1	*					

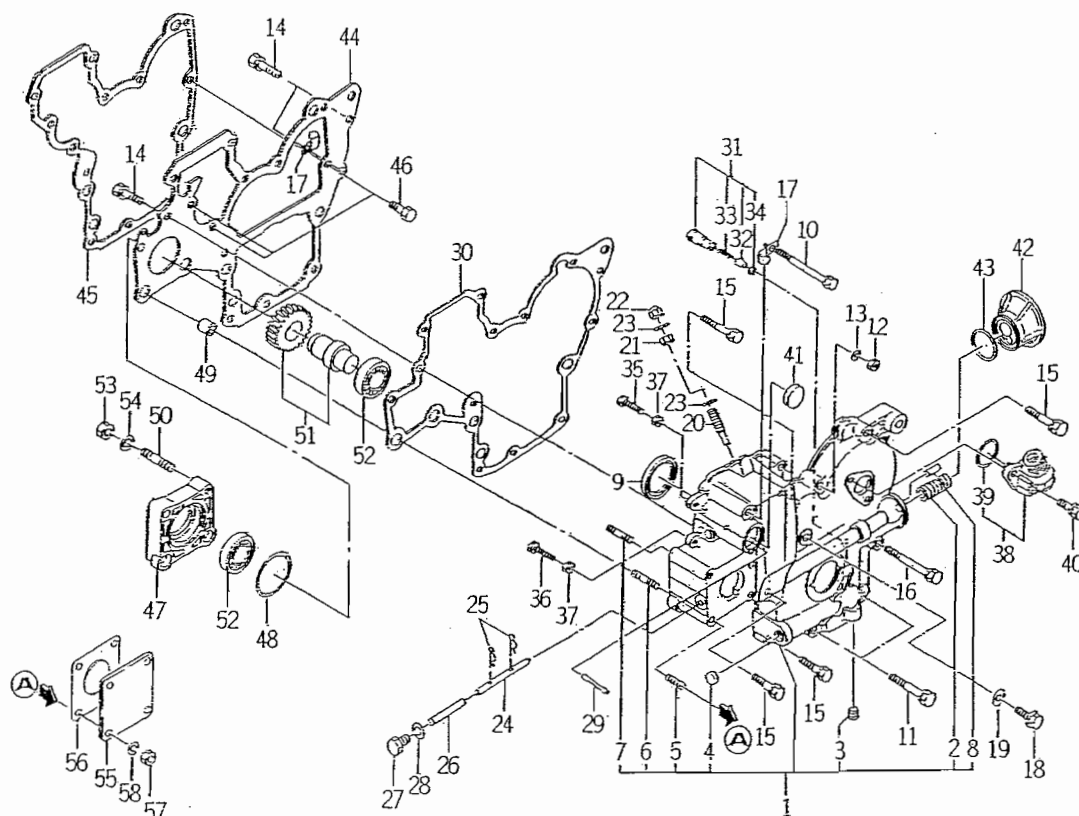
FIG. 9 TIMING GEAR CASE



6003-240H

KEY	PART CODE	DESCRIPTION	QTY	TYPE OF MODEL		I T C	C O L	G R P	REMARKS
				E393G					
1	6211 - 310 - 021 - 00	GEARCASE ASSY	1	*					
2	6213 - 319 - 004 - 00	CONNECTOR/OILFILTER	1	*					
3	6509 - 605 - 019 - 10	PLUG	1	*					
4	6209 - 610 - 002 - 10	CUP/SEALING/16	1	*					
5	6904 - 110 - 822 - 00	STUD	4	*					
6	6904 - 110 - 855 - 00	STUD	2	*					
7	6904 - 110 - 850 - 00	STUD	1	*					
8	6908 - 160 - 510 - 00	PIN	1	*					
9	6209 - 625 - 002 - 00	SEAL,OIL	1	*					
10	6209 - 030 - 005 - 00	BOLT/M8X85	1	*					
11	6509 - 000 - 084 - 00	BOLT/L = 55	2	*					
12	6909 - 110 - 508 - 00	NUT/M8	1	*					
13	6909 - 150 - 508 - 00	WASHER	1	*					
14	V211 - 560 - 802 - 00	BOLT/M8X20	3	*					
15	6901 - 910 - 845 - 00	BOLT,SEMS/M8X45	5	*					
16	6209 - 030 - 006 - 00	BOLT/M8X75	1	*					
17	1425 - 621 - 004 - 00	CLAMP,HARNESS	2	*					
18	6209 - 046 - 001 - 00	BOLT/M8X30	1	*					
19	6209 - 500 - 003 - 00	WASHER/08X14X01	1	*					
20	6215 - 546 - 003 - 00	STOPPER/FULLLOAD	1	*					
21	6209 - 409 - 001 - 00	NUT/M8	1	*					
22	V341 - 120 - 008 - 00	NUT,CAP/M 8	1	*					
23	6909 - 920 - 843 - 00	PACKING	2	*					
24	6215 - 542 - 004 - 20	PIN/ARM	1	*					
25	P117 - 303 - 003 - 00	PIN/SNAP	2	*					

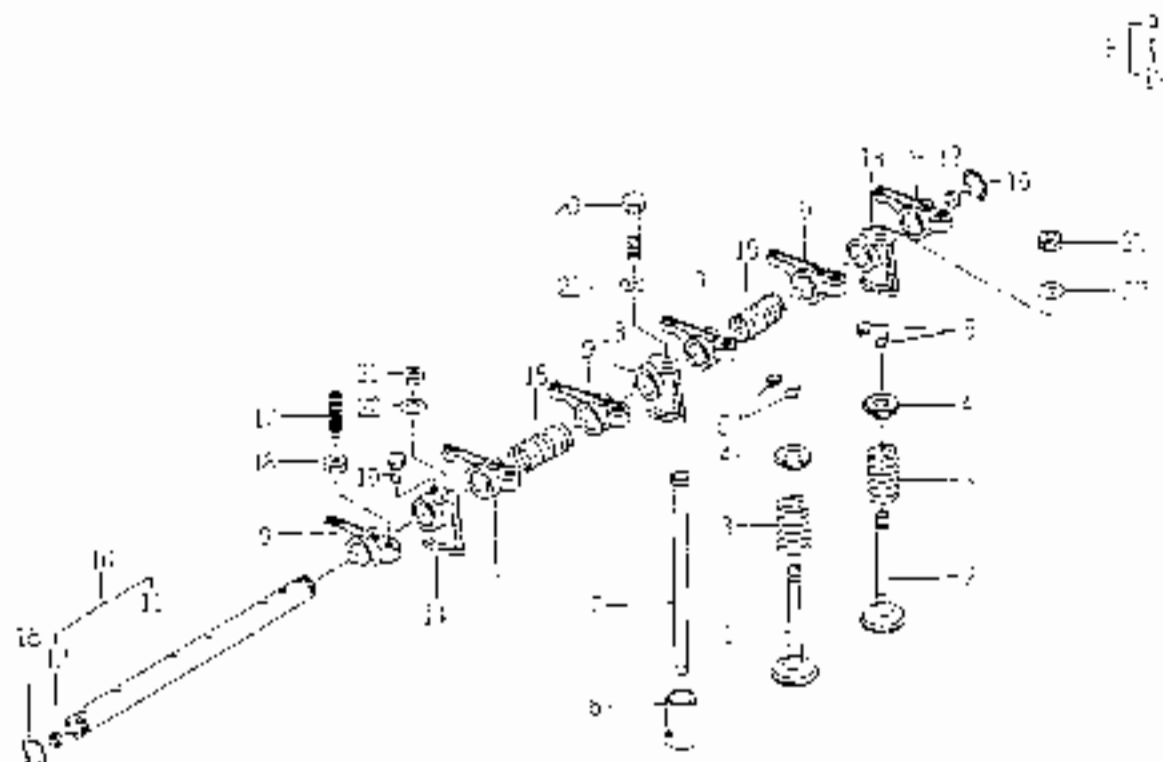
FIG. 9 TIMING GEAR CASE



60C3-240H

KEY	PART CODE	DESCRIPTION	QTY	TYPE OF MODEL		I T C	C O L	G R P	REMARKS
				E393G					
26	6215 - 542 - 005 - 00	PIN	1	*					
27	6909 - 202 - 308 - 00	PLUG	1	*					
28	6209 - 500 - 003 - 00	WASHER/08X14X01	1	*					
29	6209 - 740 - 001 - 00	PIN,GROOVE	1	*					
30	6211 - 312 - 003 - 10	GASKET,GEAR CASE	1	*					
31	6213 - 160 - 002 - 00	VALVE/RELIEF ASSY	1	*					
32	6213 - 161 - 001 - 00	PISTON/RELIEF VALVE	1	*					
33	6213 - 164 - 001 - 00	SPRING/RELIEF VALVE	1	*					
34	V705 - 140 - 012 - 00	RING,SNAP/12 C	1	*					
35	6209 - 050 - 001 - 00	BOLT/M6	1	*					
36	6209 - 050 - 002 - 00	BOLT/M6	1	*					
37	6909 - 110 - 406 - 00	NUT	2	*					
38	6219 - 310 - 003 - 10	DRIVE/TACHOMETE ASSY	1	*					
39	V723 - 102 - 002 - 40	RING/O	1	*					
40	6901 - 910 - 616 - 00	BOLT,SEMS/M6X16	2	*					
41	3625 - 540 - 004 - 00	CAP,BLANK/30	1	*					
42	6213 - 211 - 001 - 10	SPACER,OIL FILTER	1	*					
43	V723 - 102 - 003 - 60	O - RING	1	*					
44	6211 - 311 - 011 - 00	PLATE FRONT	1	*					
45	6211 - 312 - 002 - 20	GASKET/PLATE	1	*					
46	6902 - 050 - 816 - 00	BOLT	3	*					
47	6211 - 319 - 003 - 00	SPACER	1	*					
48	V723 - 102 - 005 - 00	O - RING 1A S50	1	*					
49	6209 - 749 - 001 - 10	PIN,TUBE	2	*					
50	6904 - 110 - 822 - 00	STUD	1	*					

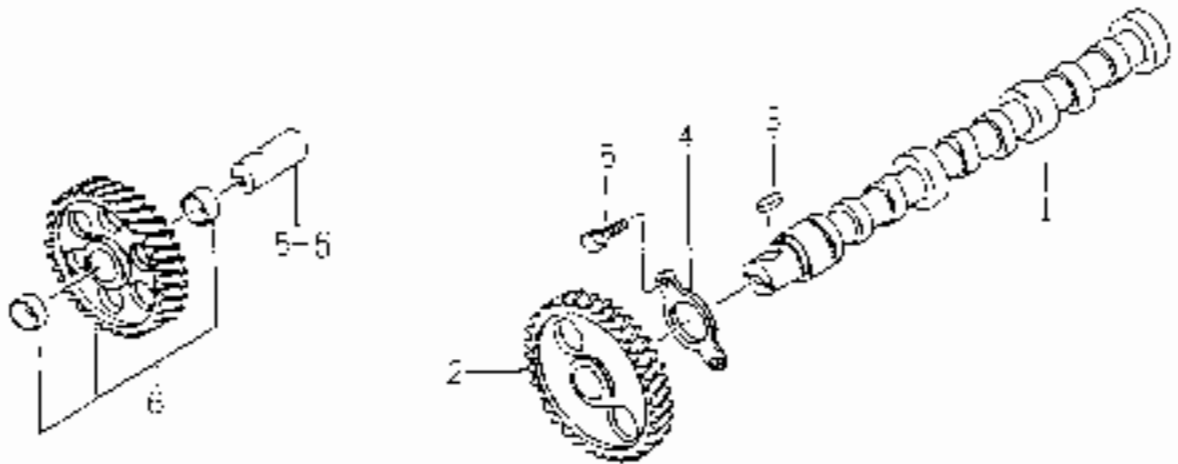
FIG. 11 VALVE



M 20

KEY	PART CODE	DESCRIPTION	QTY	TYPE OF MODEL		I	C	D	P	REMARKS
				F3036						
1	6212-551-001-00	VALVE IN TAKE	1							
2	6212-552-001-00	VALVE ADJUST	1							
3	6212-561-001-00	SPRING VALVE	6							
4	6212-005-001-00	SEAT VALVE SPRING	6							
5	6212-565-001-00	CUTTER VALVE	2							
6	6212-571-001-10	TARGET	6							
7	6212-575-001-00	ROCK FUSE	6							
8	6212-000-002-00	SHAFT/ROCKER ASSEMBLY	1							
9	6210-011-004-10	ROCKER ARM	6							
10	6212-570-001-10	SHAFT/ROCKER ASSEMBLY	1							
11	6212-521-002-10	SHAFT/ROCKER ARM	1							
12	6212-526-002-10	PLUG	2							
13	6212-628-004-00	BRACKET/ROCKER SHAFT	2							
14	6212-620-005-00	BRACKET/ROCKER SHAFT	1							
15	6208-440-004-00	SPRING	2							
16	1704-140-015-00	RING SHAFT 150	2							
17	6212-616-002-00	SCREW ADJUST	6							
18	6209-408-003-00	NUT	6							
19	6705-000-002-00	BUSH	1							
20	1901-050-450-00	BUSH/16X45	1							
21	6209-110-500-00	NUT/16	2							
22	6705-500-005-00	WASHER/20X5X1.6	3							

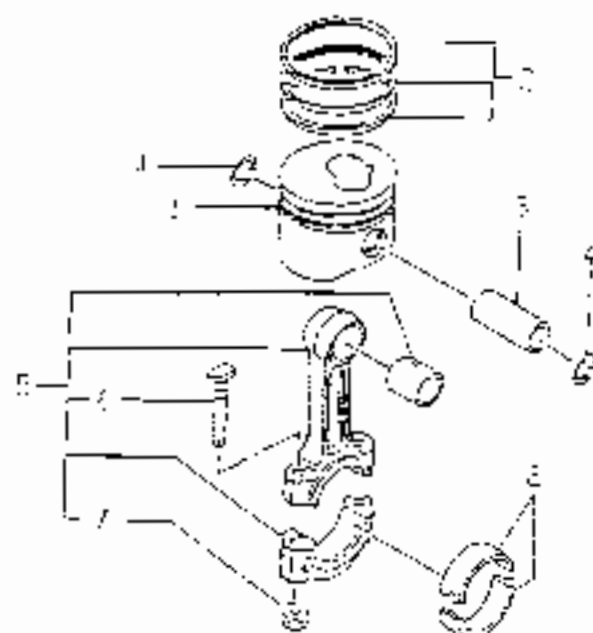
FIG. 12 CAM SHAFT



REF.

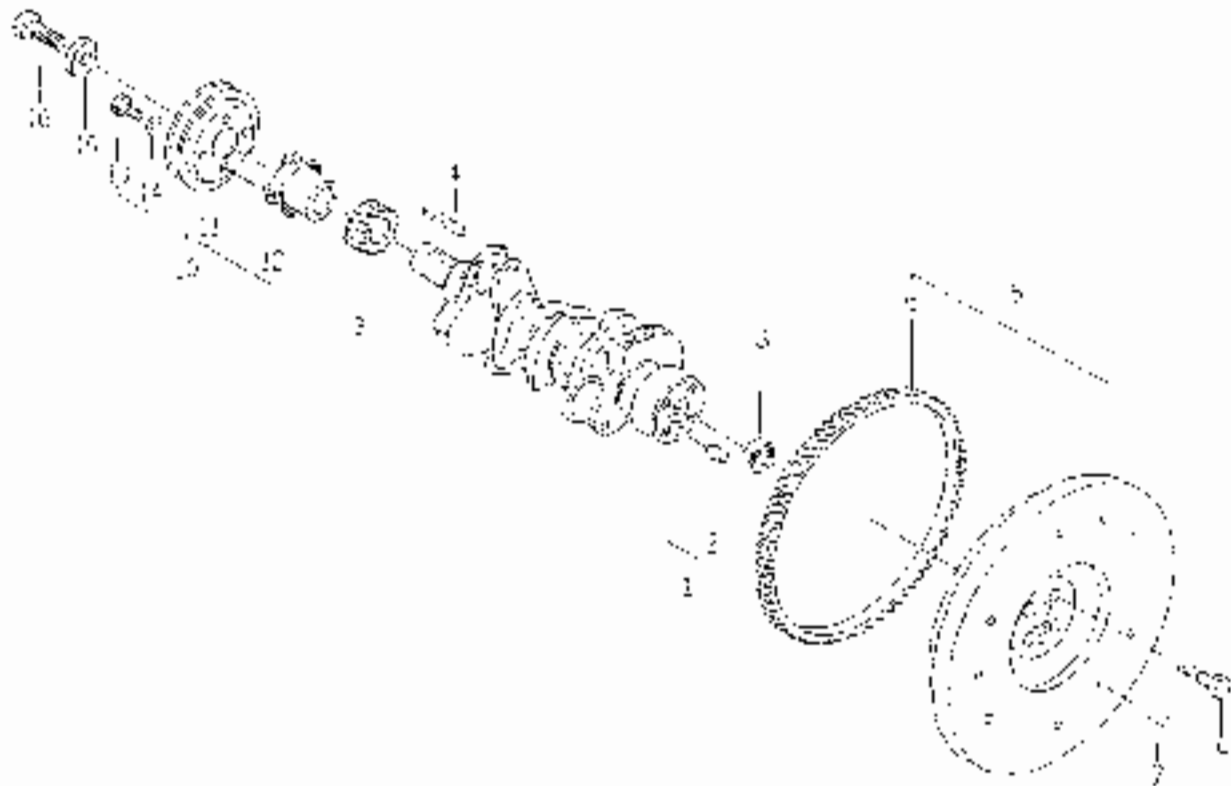
KEY	PART CODE	DESCRIPTION	QTY	TYPE OF MODEL	ITC	CO	PRG	REMARKS
				E3330				
1	6010 - 511 - 002 - 00	SHAFT CAM	1					
2	6212 - 522 - 003 - 00	GEAR/CAM SHAFT	1					
3	0006 - 000 - 018 - 00	KEY	1					
4	0717 - 535 - 001 - 00	PLATE THRUST	1					
5	0001 - 910 - 012 - 00	ROD,SP.V5/V6X12	2					
6	0012 - 003 - 003 - 00	GEAR/ID.F	1					

FIG. 13 PISTON



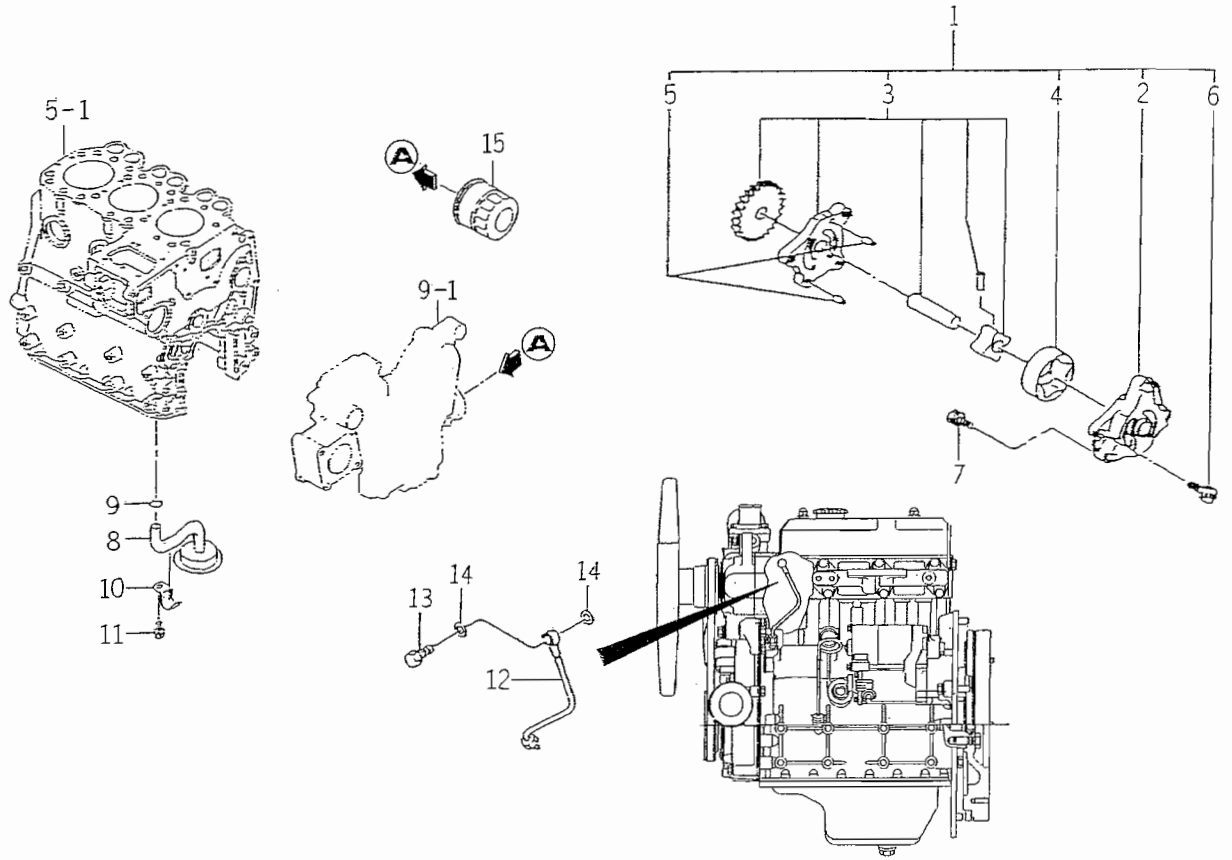
KEY	PART CODE	DESCRIPTION	QTY	TYPE OF MODEL			REMARKS
				E2000	I T C	O D L	
1	6217-111-015-10	PISTON	3				
2	6213-121-001-00	RING/PISTON SET	3				
3	6217-211-001-10	RING/PISTON	3				
4	5308-387-001-00	RING/SKAF	3				
5	6217-220-005-00	RECONNECTING	3				
6	6212-295-001-00	SOULT/CON/100	6				
7	6200-440-001-00	NUY/FLANGIF	6				
8	6217-221-005-00	REARNS/CONN/RNO	6				

FIG. 15 CRANK SHAFT



KEY	PART CODE	DESCR PT ON	QTY	TYPE OF MODEL			REMARKS
				E	C	G	
1	8012 217 008 10	CRANKSHAFT 452Y	1				
2	8023 101 001 00	PIN	1				
3	8012 021 002 00	GEAR/CRANK SHAFT	1				
4	8900 000 700 00	KEY	1				
5	8012 230 017 20	FLYWHEEL 452Y	1				
6	8012 110 001 00	PIVOTBAR	1				
7	8000 100 010 00	PIN	2				
8	8000 110 000 20	GEAR/CRANK SHAFT	1				
9	1208 000 010 00	BOLT	4				
10	8012 370 011 00	PULLEY 452Y	1				
11	8012 371 009 00	PULLEY	1				
12	8012 372 002 10	CENTER CRANK PULLEY	1				
13	8902 050 610 00	BOLT	4				
14	8900 150 508 00	WASHER 22% NI	4				
15	8012 378 001 00	WASHER	1				
16	8901 000 040 00	BOLT	1				

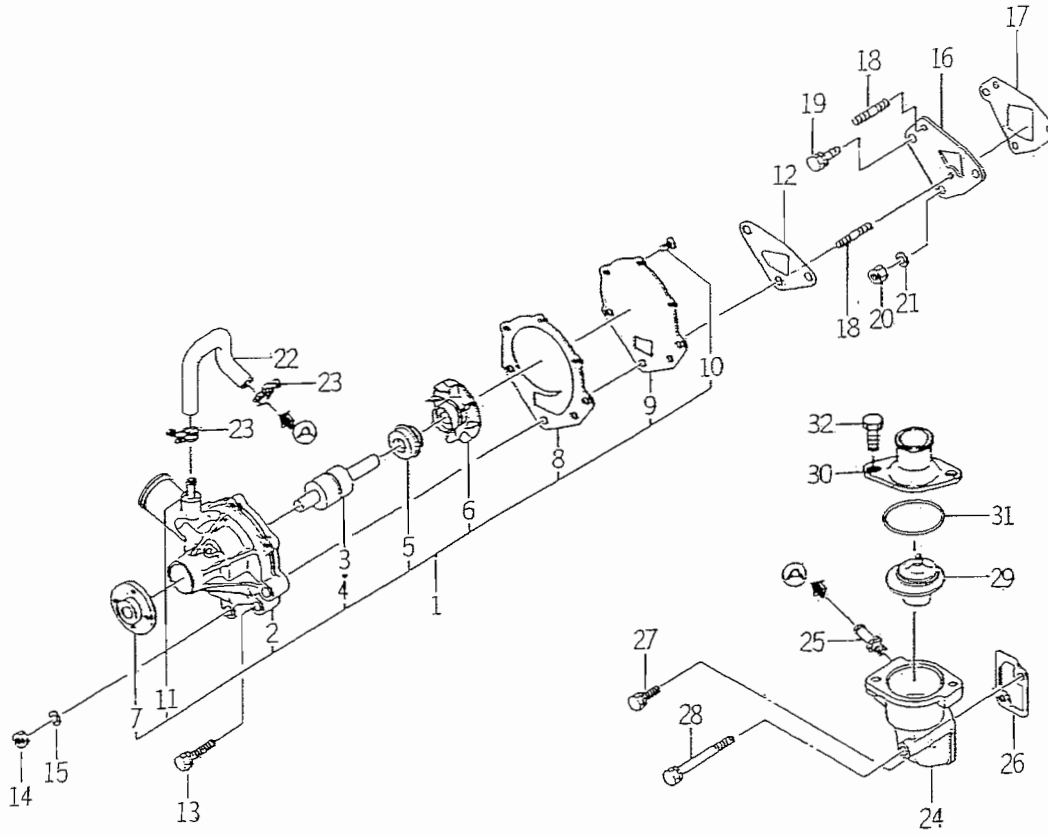
FIG. 16 OIL PUMP



6003-401B

KEY	PART CODE	DESCRIPTION	QTY	TYPE OF MODEL		I T C	C O L	G R P	REMARKS
				E393G					
1	6213 - 100 - 003 - 20	PUMP,OIL ASSY	1	*					
2	6213 - 111 - 001 - 20	BODY/OILPUMP	1	*					
3	6213 - 120 - 003 - 00	GEAR/OILPUMP ASSY	1	*					
4	6213 - 125 - 001 - 00	ROTOR/OUTER	1	*					
5	6908 - 160 - 408 - 00	PIN/STRAIGHT	2	*					
6	6209 - 009 - 001 - 00	BOLT/WS	3	*					
7	6901 - 910 - 625 - 00	BOLT	3	*					
8	6213 - 140 - 008 - 00	STRAINER	1	*					
9	V720 - 102 - 401 - 50	O - RING/P15	1	*					
10	6213 - 149 - 002 - 00	CLAMP,STRAINER	1	*					
11	6901 - 910 - 816 - 00	BOLT,SEMS/M8X16	1	*					
12	6213 - 311 - 003 - 10	PIPE,OIL	1	*					
13	6909 - 906 - 105 - 10	BOLT,JOINT	1	*					
14	6909 - 920 - 843 - 00	PACKING	2	*					
15	6213 - 240 - 002 - 00	CARTRIDGE,OIL FILTER	1	*					

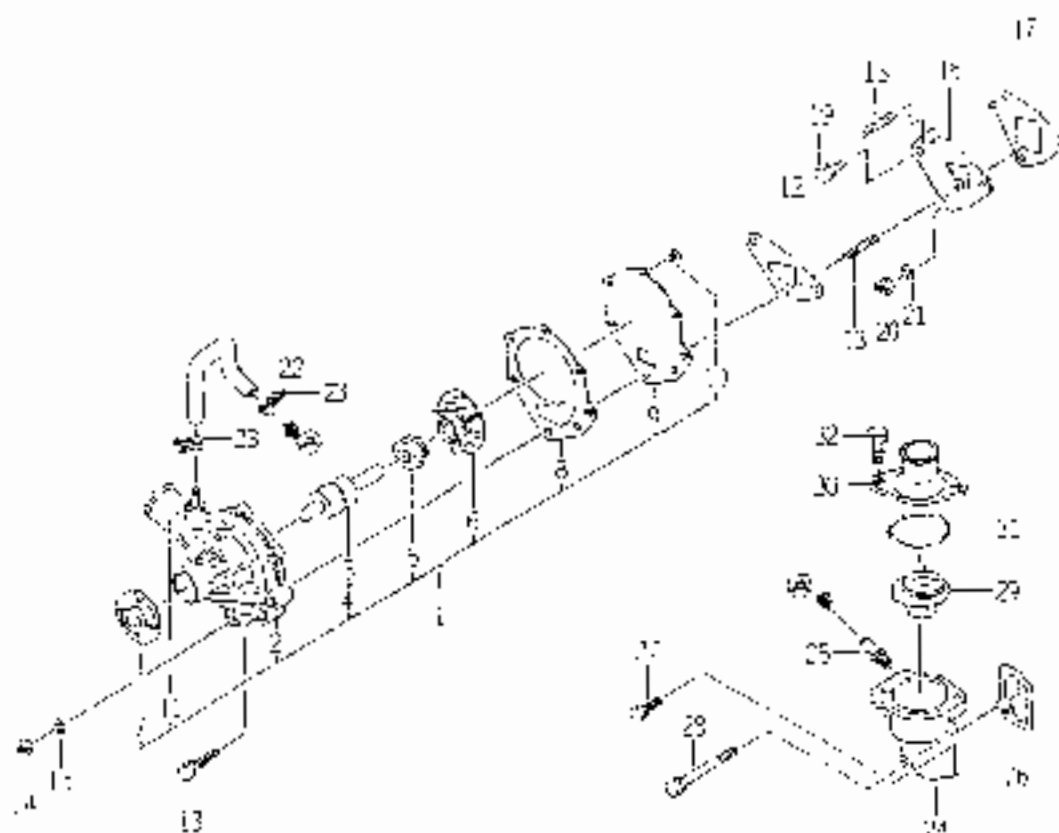
FIG. 17 WATER PUMP



6003-420B

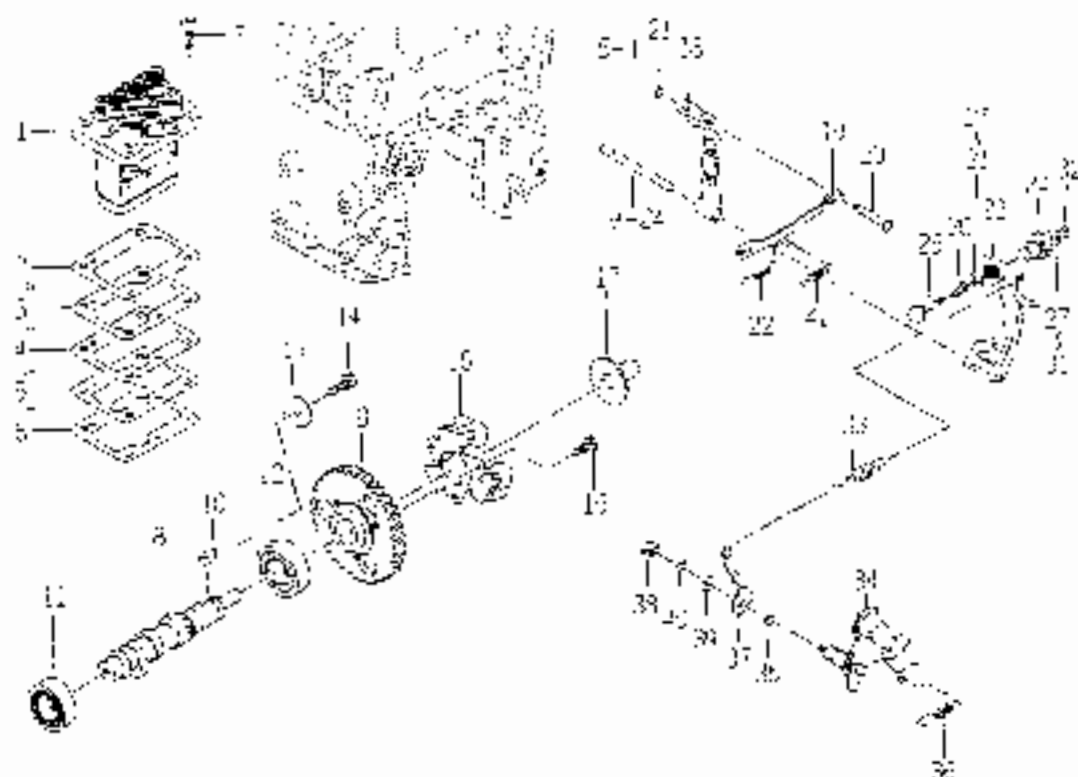
KEY	PART CODE	DESCRIPTION	QTY	TYPE OF MODEL		I T C	C O L	G R P	REMARKS
				E393G					
1	6213 - 610 - 005 - 40	WATERPUMP ASSY	1	*					
2	6213 - 611 - 003 - 20	BODY/WATERPUMP	1	*					
3	6213 - 631 - 002 - 00	BEARING/WATER PUMP	1	*					
4	6213 - 631 - 005 - 00	BEARING/WATERPUMP	1	*					
5	6213 - 622 - 002 - 10	SEAL SET/WATER PUMP	1	*					
6	6213 - 621 - 003 - 00	ROTOR/WATERPUMP	1	*					
7	6213 - 642 - 002 - 00	SEAL/WATER PUMPPULLE	1	*					
8	6213 - 613 - 002 - 10	GASKET	1	*					
9	6213 - 612 - 004 - 00	PLATE/WATER PUMP	1	*					
10	6213 - 619 - 003 - 00	SCREW/WATER PUMP	3	*					
11	6213 - 619 - 002 - 00	PIPE/WATER PUMP	2	*					
12	6213 - 614 - 003 - 10	GASKET/WATER PUMP	1	*					
13	6901 - 910 - 845 - 00	BOLT,SEMS/M8X45	1	*					
14	6909 - 110 - 508 - 00	NUT/M8	2	*					
15	6909 - 150 - 508 - 00	WASHER	2	*					
16	6213 - 619 - 005 - 00	SPACER,WATER PUMP	1	*					
17	6213 - 614 - 006 - 10	GASKET/SPACER	1	*					
18	6209 - 300 - 002 - 00	STUD	2	*					
19	V211 - 560 - 802 - 00	BOLT/M8X20	1	*					
20	6909 - 110 - 508 - 00	NUT/M8	1	*					
21	6909 - 150 - 508 - 00	WASHER	1	*					
22	6213 - 729 - 013 - 10	HOSE/RUBBER	1	*					
23	J061 - 210 - 015 - 00	CLAMP/WIRE/10 - 15	2	*					
24	6213 - 716 - 001 - 40	HOUSING/THERMOSTAT	1	*					
25	6213 - 721 - 003 - 00	PIPE,PUMP HOUSING	1	*					

FIG. 17 WATER PUMP



KEY	PART CODE	DESCRIPTION	QTY	TYPE OF MODEL			REMARKS
				E	T	L	
20	6213-743-002-10	GASKET/IMPELLER	1				
21	4211-580-302-00	BOLT/IMPELLER	1				
28	9209-030-008-00	SCREW/IMPELLER					
29	5510-770-000-10	THERMOSTAT					
30	0015-711-003-20	PIPE/WATER OUTLET					
31	4723-102-006-50	O-RING					
32	6801-910-800-00	SCREW	3				

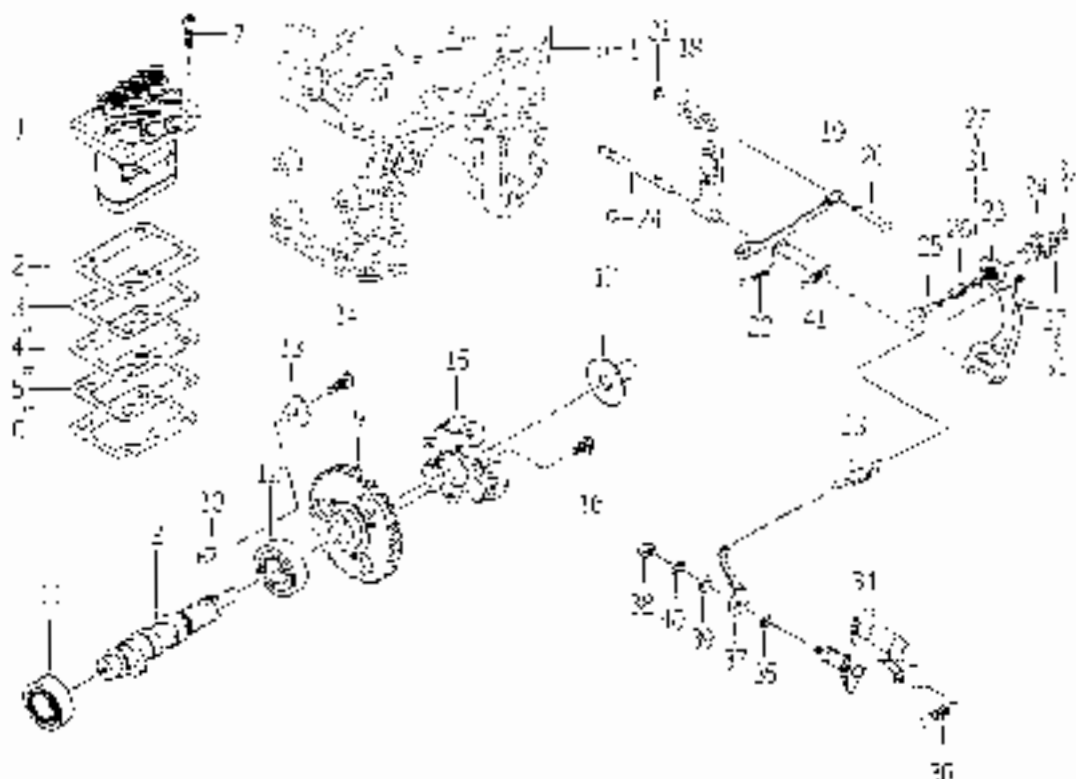
FIG. 20 INJECTION PUMP



20-104

KEY	PART CODE	DESCRIPTION	QTY	TYPE OF NGJEL			REMARKS
				T	C	L	
1	6215 - 600 - 109 - 10	INJECTION PUMP ASSEMBLY	1				NO. 204
2	6215 - 752 - 001 - 00	INJECTION PUMP	1				
3	6219 - 702 - 002 - 00	INJECTION PUMP	1				
4	6218 - 752 - 003 - 00	INJECTION PUMP	1				
5	6219 - 702 - 004 - 00	INJECTION PUMP	1				
6	6219 - 752 - 005 - 00	COMMON RAIL PUMP	1				
7	6209 - 053 - 001 - 00	BOLT NUT	1				
8	6215 - 521 - 001 - 30	CAMSHAFT / INJECTION	1				
9	6212 - 524 - 002 - 00	GEAR IN PUMP	1				
10	6506 - 000 - 115 - 00	KEY	1				
11	6300 - 110 - 020 - 30	BEARING 63/62	1				
12	6300 - 110 - 600 - 40	BEARING 63/60	1				
13	6212 - 535 - 002 - 00	PLATE, HOUSING PUMP	1				
14	6301 - 510 - 612 - 00	BOLT NUTS MAY 12	1				
15	6215 - 520 - 00 - 00	FLYWHEEL	1				
16	6200 - 000 - 040 - 00	BOLT NUT	2				
17	6215 - 525 - 001 - 10	ROLLER	1				
18	6215 - 541 - 001 - 00	ADJUSTING	1				
19	6215 - 542 - 001 - 10	LINK CONTROL	1				
20	6215 - 540 - 000 - 00	PISTON ROD	1				
21	6210 - 110 - 004 - 00	HINGE PLATE / A F	1				
22	6215 - 540 - 002 - 00	SPRING SETTING	1				
23	6215 - 541 - 015 - 30	A 64 / 100 / 10	1				
24	6215 - 540 - 015 - 00	CASE / ADAPTER	1				
25	6215 - 540 - 027 - 10	PIN ADAPTER	1				

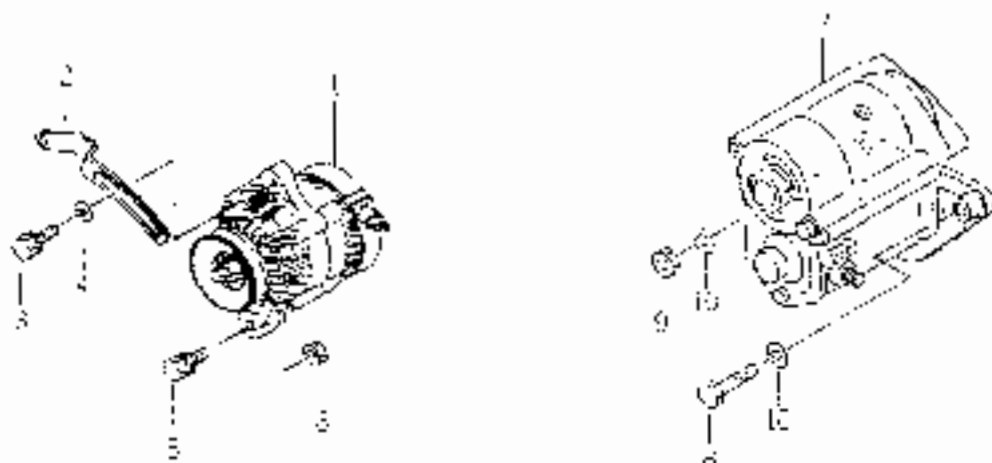
FIG. 20 INJECTION PUMP



60230

KEY	PART CODE	DESCRIPTION	QTY	TYPE OF MODEL				REMARKS
				E300	I T C	C O L	I S O P	
25	6215-549-005-10	SPRING ADAPTER	1					
27	6215-549-006-00	SHIM ADAPTER	2					
28	6215-549-009-00	SHIM ADAPTER	2					
29	6215-549-010-00	SHIM ADAPTER	2					
30	6215-549-021-00	SHIM ADAPTER	1					
31	6215-549-024-00	SHIM ADAPTER	1					
32	6215-140-004-00	INJECTION PUMP	1					
33	6215-58-001-00	SPRING/CONTROL	1					
34	6215-549-074-10	LEVER CONTROL COMP	1					
35	6215-107-600-80	CONTROL RING	1					
36	6206-550-007-0	SPRING RETURN	1					
37	6215-549-007-10	ARM/CONTROL	1					
38	6909-110-406-00	WASHER	1					
39	6215-280-006-00	WASHER/SPRING	1					
40	6215-150-100-00	WASHER/SPRING	1					
41	6215-549-008-00	SPRING STARTING	1					

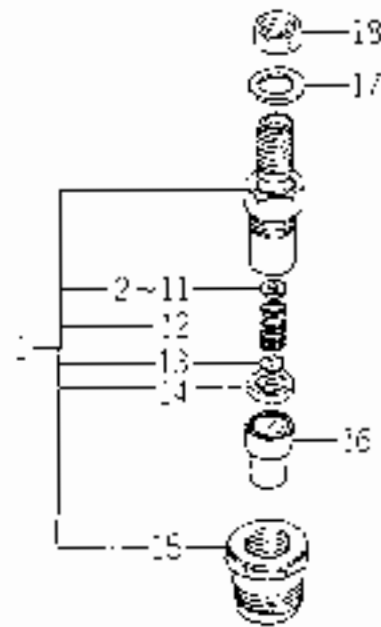
FIG. 22 ELECTRIC (1)



PARTS

REV	PART CODE	DESCRIPTION	QTY	TYPE OF MODEL		C C	G R P	REMARKS
				C9936				
1	8741 700-004-00	GENERATOR ASSY	1					FIG 027
2	5213 074-000-10	PLATE ADJUST						
3	4211 000 802 00	BOLT M8X20						
4	1373 121 001-00	WASHER 1/2X2X2						
5	6204 051-063-00	BOLT WFF						
5	6508 110-40-00	NUT M10						
1	0291 100 005 00	STARTER ASSY	1					FIG 026
2	4703 361-004-00	BOLT	1					
3	0000 110 410 00	NUT M10	1					
10	5909 150-510-00	WASHER SF/M10	2					

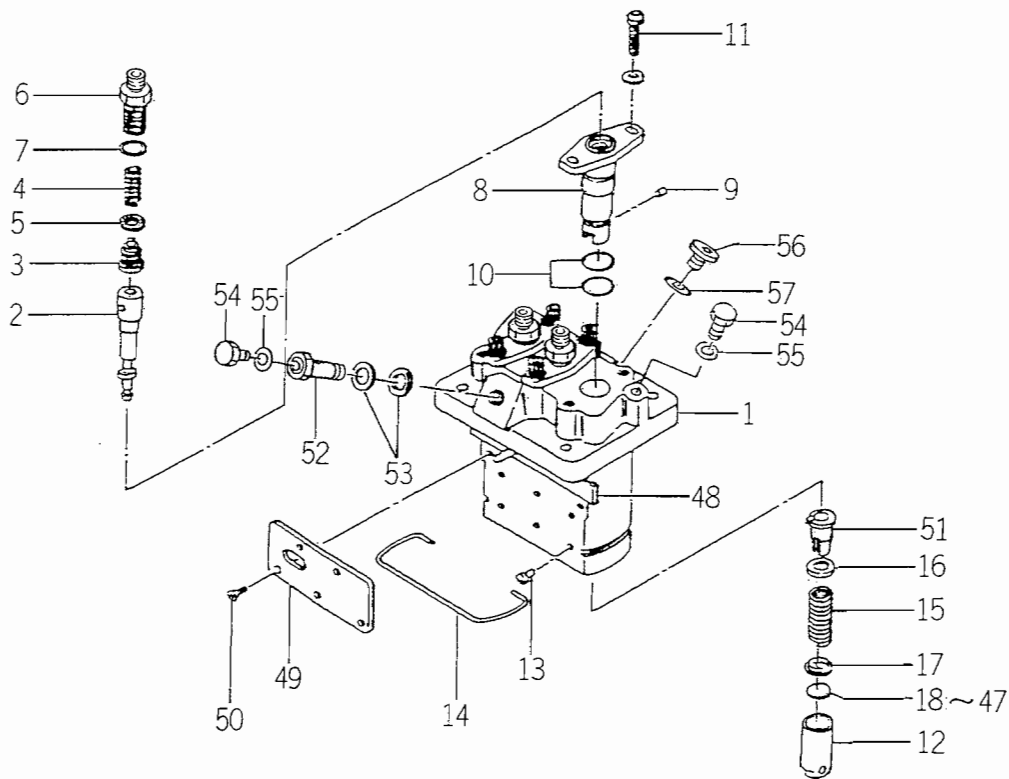
FIG. 24 COMPONENT PARTS FOR 6215 - 300 - 037 - 00 ON Fig.19



REV. 01

KEY	PART CODE	DESCRIPTION	QTY	TYPE OF M3151				REMARKS
				C7916	TYG	COL	GRP	
	6215 - 300 - 021 - 00	HOLDER/NOZZLE ASSY	3					
1	6215 - 342 - 007 - 00	SEAT SPRING	3					
2	6215 - 343 - 003 - 00	SPRING/NOZZLE	3					
3	6215 - 345 - 044 - 00	SHIM/T-01	3					
4	6215 - 345 - 045 - 00	SHIM/T-02	3					
5	6215 - 340 - 046 - 00	SHIM/T-03	3					
6	6215 - 340 - 047 - 00	SHIM/T-04	3					
7	6215 - 345 - 048 - 00	SHIM/T-05	3					
8	6215 - 345 - 049 - 00	SHIM/T-06	3					
9	6215 - 345 - 050 - 00	SHIM/T-07	3					
10	6215 - 345 - 051 - 00	SHIM/T-08	3					
11	6215 - 345 - 052 - 00	SHIM/T-09	3					
12	6215 - 345 - 053 - 00	SHIM/T-10	3					
13	6215 - 309 - 002 - 00	SPACER	3					
14	6215 - 302 - 002 - 00	SLIP RETAINING	3					
15	6215 - 353 - 003 - 00	PACKET	3					
16	6215 - 354 - 004 - 00	SLIP	3					
17	6215 - 311 - 005 - 00	NOZZLE	3					

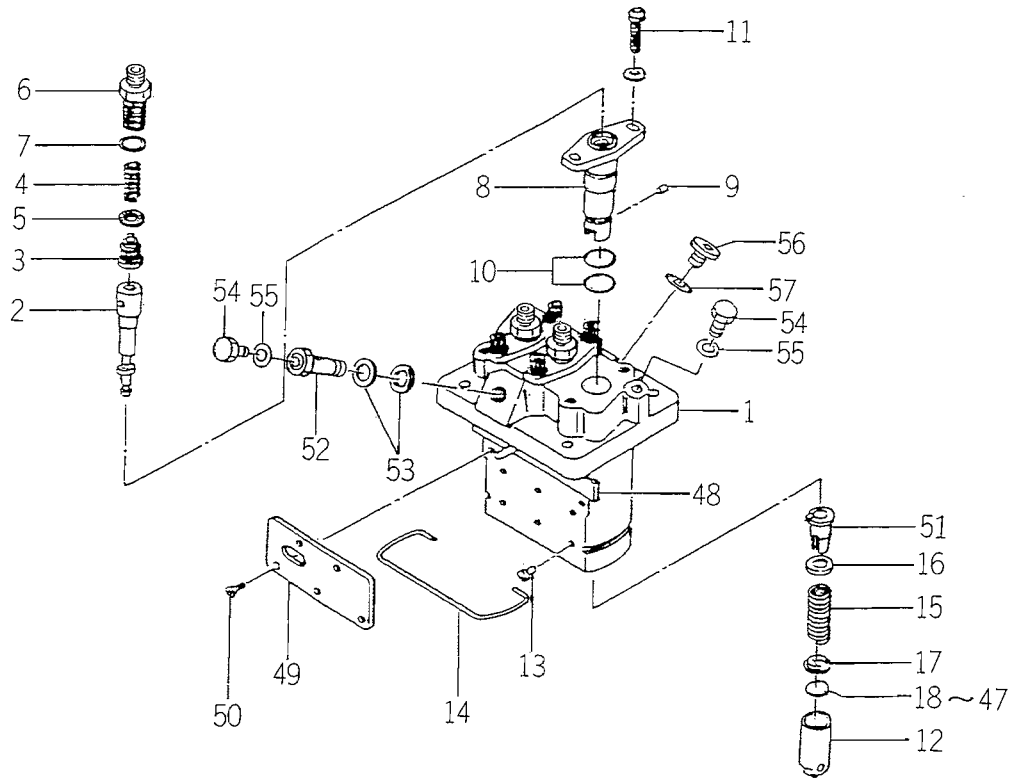
FIG. 25 COMPONENT PARTS FOR 6215 - 600 - 109 - 10 ON Fig.20



6215-6001

KEY	PART CODE	DESCRIPTION	QTY	TYPE OF MODEL		I T C	C O L	G R P	REMARKS
				E393G					
1	6215 - 611 - 002 - 00	HOUSING,PUMP	1	*					
2	6215 - 631 - 017 - 00	PLUNGER ASSY	3	*					
3	6215 - 641 - 007 - 00	DELIVERYVALVE	3	*					
4	6215 - 643 - 002 - 00	SPRING DELIVERY VALV	3	*					
5	6215 - 649 - 003 - 00	GASKET	3	*					
6	6215 - 644 - 002 - 00	HOLDER DELIVERY VALV	3	*					
7	6215 - 649 - 004 - 00	O - RING	3	*					
8	6215 - 635 - 002 - 00	SLEEVE,FRANGE	3	*					
9	6215 - 649 - 005 - 00	PIN	3	*					
10	6215 - 649 - 006 - 00	O - RING	6	*					
11	6215 - 649 - 007 - 00	SCREW	6	*					
12	6215 - 622 - 002 - 00	TAPPET	3	*					
13	6215 - 629 - 017 - 00	PIN	3	*					
14	6215 - 629 - 018 - 00	RING,SNAP	1	*					
15	6215 - 634 - 002 - 00	SPRING,PLUNGER	3	*					
16	6215 - 639 - 006 - 00	SEAT,SPRING	3	*					
17	6215 - 639 - 007 - 00	SEAT,SPRING	3	*					
18	6215 - 629 - 020 - 00	PLATE/T = 1.80	3	*					
19	6215 - 629 - 021 - 00	PLATE/T = 1.85	3	*					
20	6215 - 629 - 022 - 00	PLATE/T = 1.90	3	*					
21	6215 - 629 - 023 - 00	PLATE/T = 1.95	3	*					
22	6215 - 629 - 024 - 00	PLATE/T = 2.00	3	*					
23	6215 - 629 - 025 - 00	PLATE/T = 2.05	3	*					
24	6215 - 629 - 026 - 00	PLATE/T = 2.10	3	*					
25	6215 - 629 - 027 - 00	PLATE/T = 2.15	3	*					

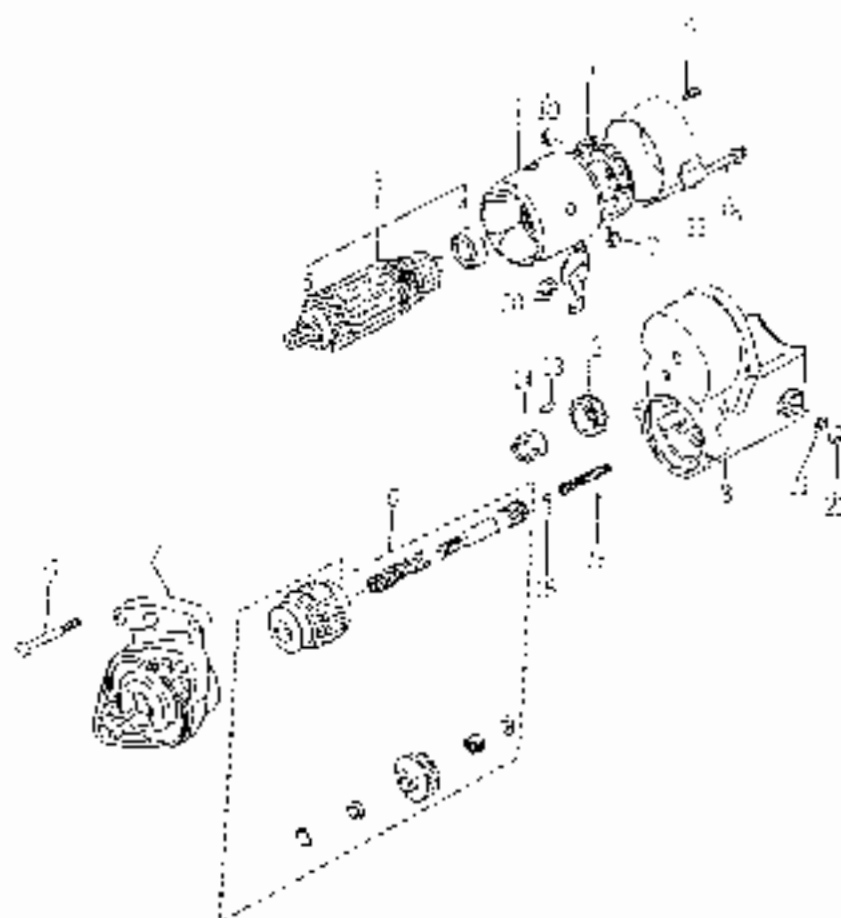
FIG. 25 COMPONENT PARTS FOR 6215 - 600 - 109 - 10 ON Fig.20



6215-6001

KEY	PART CODE	DESCRIPTION	QTY	TYPE OF MODEL		I T C	C O L	G R P	REMARKS
				E393G					
26	6215 - 629 - 028 - 00	PLATE/T = 2.20	3	*					
27	6215 - 629 - 029 - 00	PLATE/T = 2.25	3	*					
28	6215 - 629 - 030 - 00	PLATE/T = 2.30	3	*					
29	6215 - 629 - 031 - 00	PLATE/T = 2.35	3	*					
30	6215 - 629 - 032 - 00	PLATE/T = 2.40	3	*					
31	6215 - 629 - 033 - 00	PLATE/T = 2.45	3	*					
32	6215 - 629 - 034 - 00	PLATE/T = 2.50	3	*					
33	6215 - 629 - 068 - 00	PLATE	3	*					
34	6215 - 629 - 069 - 00	PLATE	3	*					
35	6215 - 629 - 070 - 00	PLATE	3	*					
36	6215 - 629 - 071 - 00	PLATE	3	*					
37	6215 - 629 - 072 - 00	PLATE	3	*					
38	6215 - 629 - 073 - 00	PLATE	3	*					
39	6215 - 629 - 074 - 00	PLATE	3	*					
40	6215 - 629 - 075 - 00	PLATE	3	*					
41	6215 - 629 - 076 - 00	PLATE	3	*					
42	6215 - 629 - 077 - 00	PLATE	3	*					
43	6215 - 629 - 078 - 00	PLATE	3	*					
44	6215 - 629 - 079 - 00	PLATE	3	*					
45	6215 - 629 - 080 - 00	PLATE	3	*					
46	6215 - 629 - 081 - 00	PLATE	3	*					
47	6215 - 629 - 082 - 00	PLATE	3	*					
48	6215 - 637 - 002 - 00	ROD,CONTROL	1	*					
49	6215 - 612 - 002 - 00	PLATE	1	*					
50	6215 - 619 - 012 - 00	SCREW	4	*					

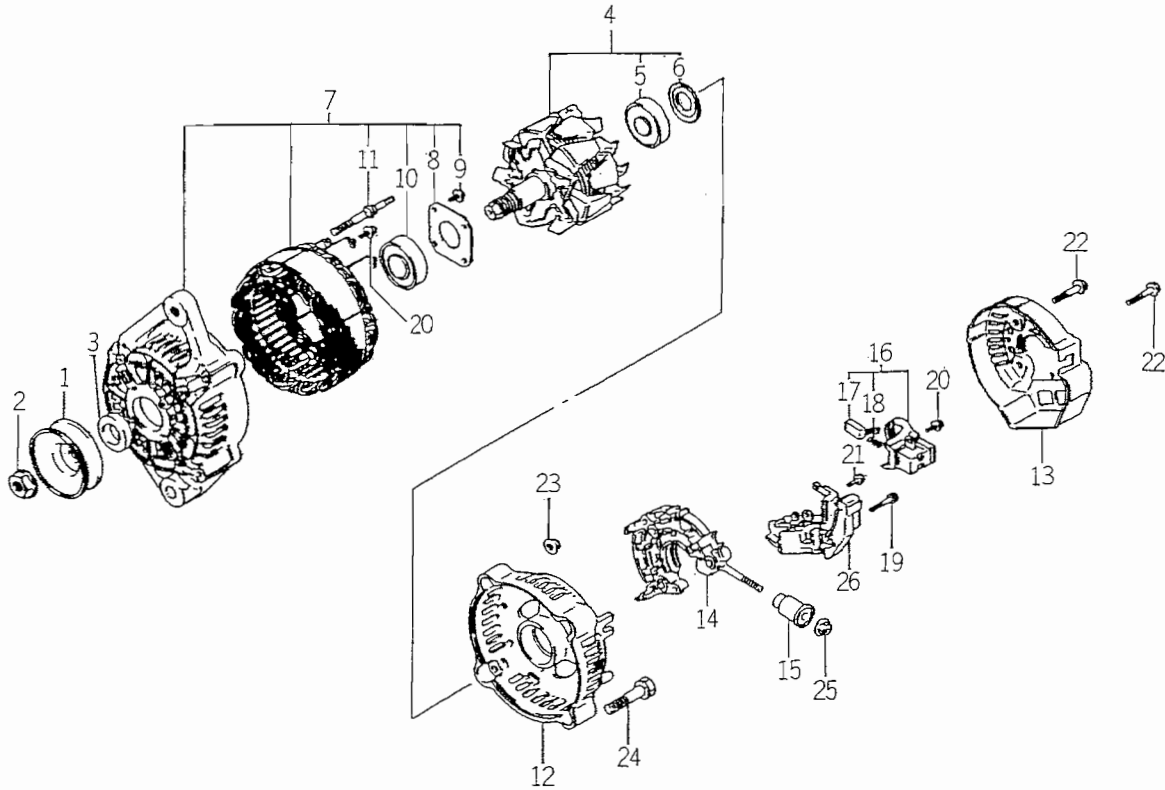
FIG. 26 COMPONENT PARTS FOR 6281 - 100 - 005 - 00 ON Fig.22



SEE END

KEY	PART CODE	DESCRIPTION	QTY	TYPE OF MODEL			REMARKS
				17915	C	C	
1	6281 - 100 - 007 - 00	YOLK/STARTER	1				
2	6281 - 100 - 002 - 00	STARTER M	2				
3	6281 - 100 - 003 - 00	ARMATURE	1				
4	6251 - 129 - 010 - 00	BEARING/BALL	1				
5	6251 - 129 - 011 - 00	REAR B.BALL	1				
6	6281 - 174 - 001 - 00	STARTER KIT	1				
7	6281 - 129 - 020 - 00	HOUSING/STARTER ASSY	1				
8	6281 - 151 - 008 - 00	SWITCH/STARTER ASSY	1				
9	6281 - 118 - 002 - 00	HOLDER BRUSH ASSY	1				
10	6541 - 117 - 007 - 00	SPRING/BRUSH	4				
11	6281 - 115 - 005 - 00	FRAME/STARTER END	1				
12	6561 - 133 - 011 - 00	PIVOT/STARTER	1				
13	6581 - 128 - 009 - 00	ROCK	5				
14	6561 - 120 - 100 - 00	RETAINER	1				
15	6561 - 128 - 097 - 00	SAFETY	1				
16	6581 - 128 - 006 - 00	SPRING	1				
17	6281 - 129 - 008 - 00	SCREW	2				
18	6281 - 129 - 008 - 00	ROCK WAS	2				
19	6281 - 129 - 009 - 00	SCREW/WAS	2				
20	6281 - 111 - 008 - 00	NUT	1				
21	6281 - 150 - 508 - 00	WASHER	1				
22	6281 - 110 - 408 - 00	NUT/V6	1				

FIG. 27 COMPONENT PARTS FOR 6281 - 200 - 005 - 00 ON Fig.22



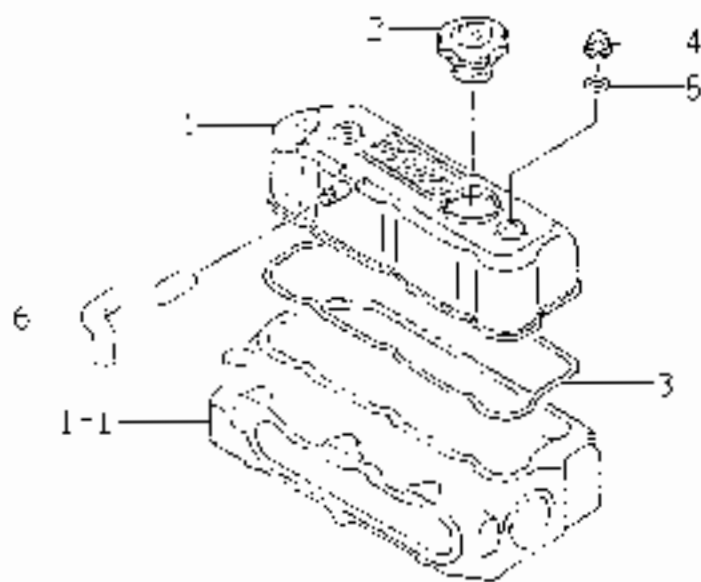
6281-2000

KEY	PART CODE	DESCRIPTION	QTY	TYPE OF MODEL		I T C	C O L	G R P	REMARKS
				E393G					
1	6281 - 222 - 004 - 00	PULLEY	1	*					
2	6281 - 229 - 002 - 00	NUT	1	*					
3	6281 - 229 - 003 - 00	COLLOR	1	*					
4	6281 - 221 - 001 - 00	ROTOR ASSY	1	*					
5	6281 - 229 - 005 - 00	BEARING	1	*					
6	6281 - 229 - 004 - 00	COVER,BEARING	1	*					
7	6281 - 213 - 006 - 00	FRAME ASSY	1	*					
8	6281 - 229 - 006 - 00	PLATE	1	*					
9	6281 - 229 - 007 - 00	BOLT	4	*					
10	6281 - 229 - 009 - 00	BEARING	1	*					
11	6281 - 229 - 008 - 00	BOLT	2	*					
12	6281 - 214 - 003 - 00	FRAME	1	*					
13	6281 - 214 - 004 - 00	COVER	1	*					
14	6281 - 229 - 029 - 00	HOLDER ASSY	1	*					
15	6281 - 229 - 011 - 00	BUSH	1	*					
16	6281 - 217 - 001 - 00	HOLDER,BRUSH ASSY	1	*				-	
17	6281 - 215 - 001 - 00	BRUSH	2	*					
18	6281 - 216 - 001 - 00	SPRING	2	*					
19	6281 - 229 - 012 - 00	BOLT	2	*					
20	6281 - 229 - 013 - 00	BOLT	6	*					
21	6281 - 229 - 014 - 00	BOLT	1	*					
22	6281 - 229 - 015 - 00	BOLT	3	*					
23	6281 - 229 - 016 - 00	NUT	2	*					
24	6281 - 229 - 017 - 00	BOLT	2	*					
25	6281 - 229 - 018 - 00	NUT	1	*					

ENGINE

E393 – G01...TMG18 – S

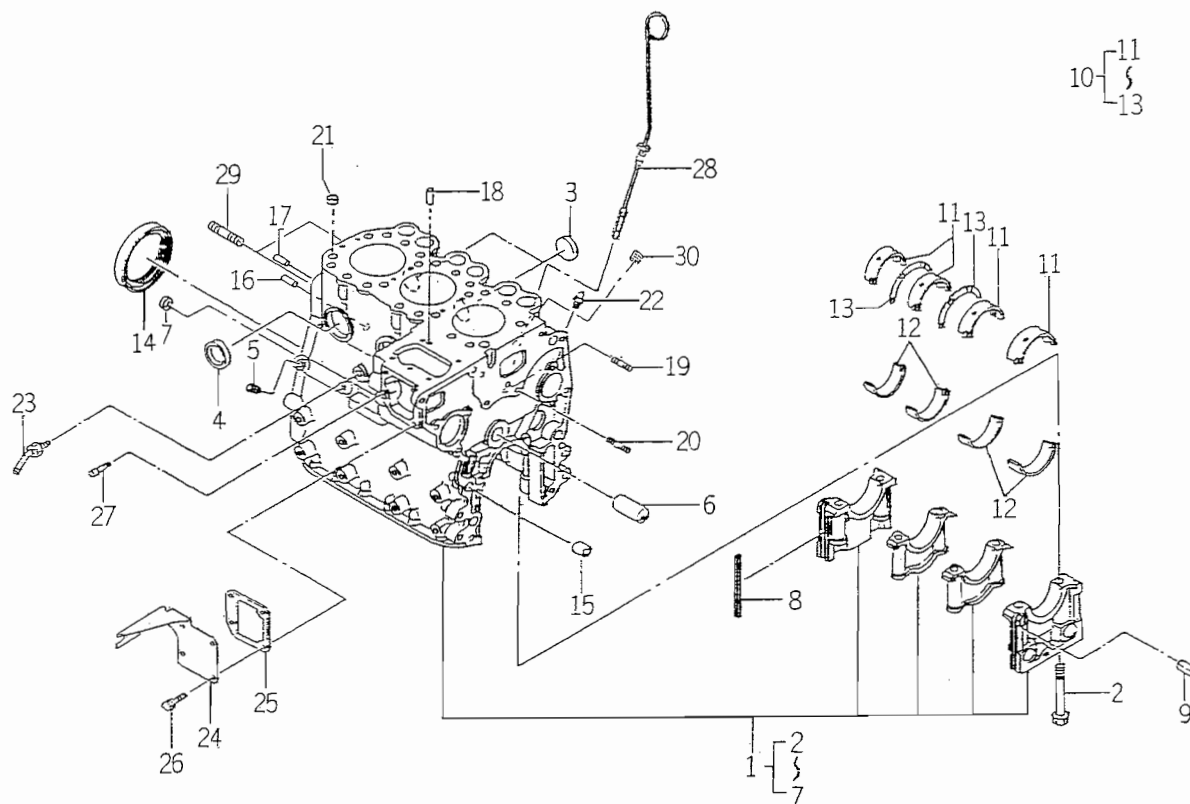
FIG. 2 CYLINDER HEAD COVER



CIVIL

KEY	PART CODE	DESCRIPTION	QTY	TYPE OF WDDL		C	O	G	REMARKS
				33333					
1	5211-170-004-10	COVER CYLINDER HEAD							
2	5211-761-001-10	CAP GASKET							
3	6211-173-003-00	SEAL CYL HEAD COVER							
4	0200-400-002-00	NUT CAP	2						
5	6909-570-011-00	PACKING	2						
6	9209-360-021-10	RING/RUBBER							

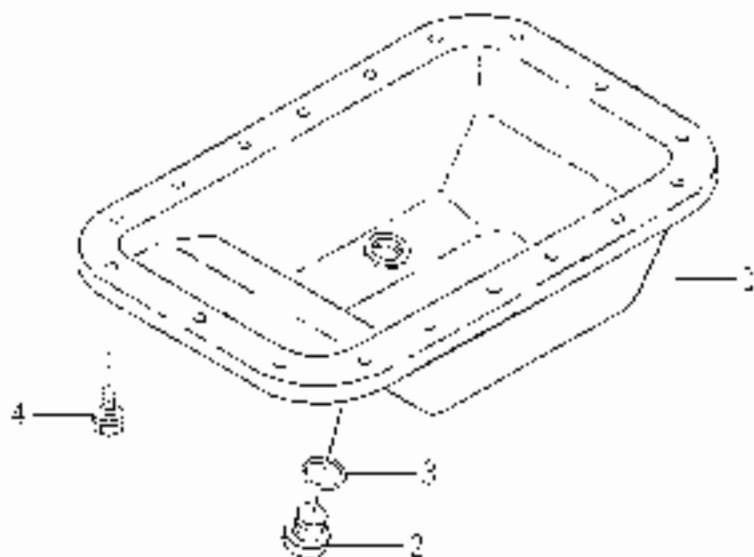
FIG. 5 CYLINDER BLOCK



6003-201Y

KEY	PART CODE	DESCRIPTION	QTY	TYPE OF MODEL		I T C	C O L	G R P	REMARKS
				E393G01					
1	6211 - 210 - 050 - 10	CYLINDERBLOCK ASSY	1	*					
2	6209 - 000 - 004 - 10	BOLT	8	*					
3	6209 - 610 - 001 - 00	CAP,SEALING	2	*					
4	6911 - 219 - 195 - 00	CAP,SEALING	4	*					
5	6509 - 605 - 019 - 10	PLUG	3	*					
6	6212 - 531 - 005 - 10	PIN/IDLEGEAR	1	*					
7	6911 - 129 - 083 - 00	CAP,SEALING	1	*					
8	6211 - 258 - 001 - 00	SEAL,BEARING CAP	4	*					
9	6211 - 258 - 002 - 00	SEAL,BEARING CAP/7	2	*					
10	6211 - 510 - 001 - 00	METAL,CRANK SET	1	*					
11	6211 - 511 - 003 - 00	BEARING/CRANK/UPPER	4	*					
12	6211 - 511 - 004 - 00	BEARING/CRANK/LOWER	4	*					
13	6211 - 599 - 001 - 10	BEARING,THRUST CRANK	2	*					
14	6209 - 625 - 001 - 00	SEAL,OIL	1	*					
15	6209 - 749 - 001 - 20	PIN/TUBE	2	*					
16	6908 - 160 - 816 - 00	PIN	1	*					
17	V523 - 100 - 802 - 40	PIN	1	*					
18	6908 - 160 - 510 - 00	PIN	2	*					
19	6904 - 110 - 818 - 00	STUD	1	*					
20	6904 - 110 - 840 - 00	STUD/M8X40	1	*					
21	6294 - 453 - 002 - 00	DOWEL	2	*					
22	6909 - 902 - 299 - 00	NIPPLE	1	*					
23	6213 - 721 - 007 - 00	PIPE/WATERDRAIN	1	*					
24	6211 - 291 - 016 - 00	COVER/INJECTIONPUMP	1	*					
25	6211 - 292 - 001 - 20	GASKET/COVER	1	*					

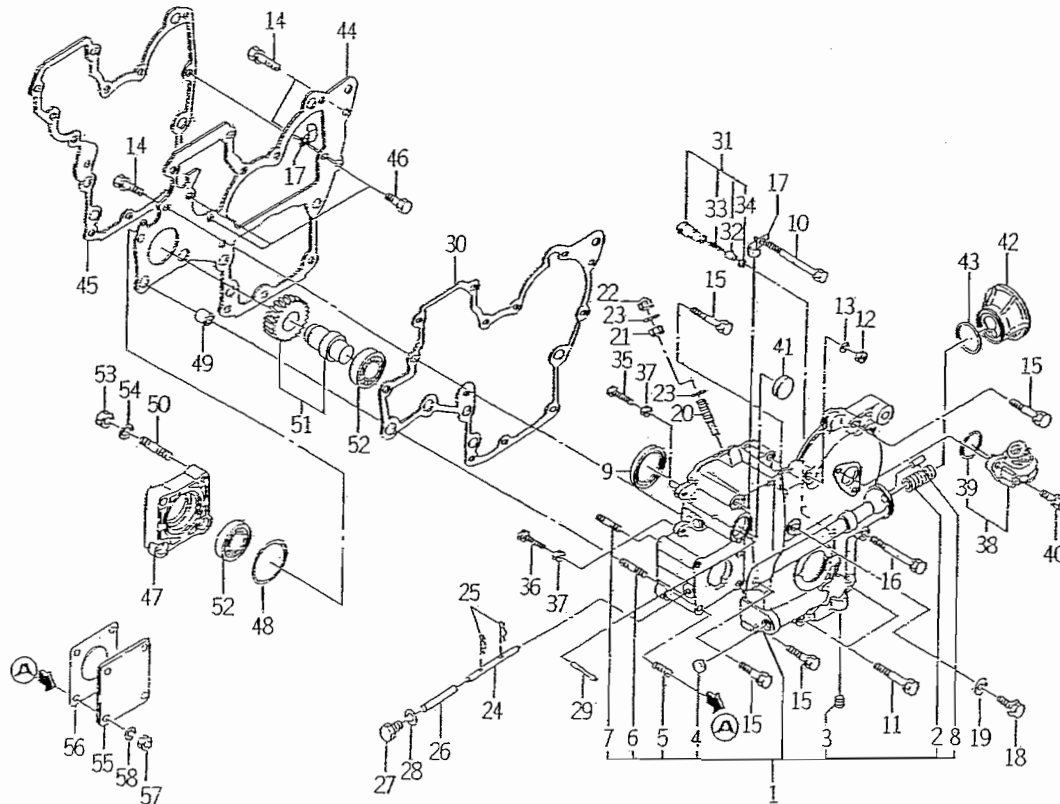
FIG. 7 OIL PAN



M3902

KEY	PART CODE	DESCRIPTION	TYPE OF ADJH		C	COL	GRP	REMARKS
			3	3				
1	0211 331 010 10	PANOL COME	1	2				
2	3025 - 301 - 307 - 00	PLUG (M14X1.5)	1	1				
3	M720 137 40 80	G RING/P18	1	3				
4	0901 - 910 - 012 - 00	BOLT SEVIS M8X12	1	8				

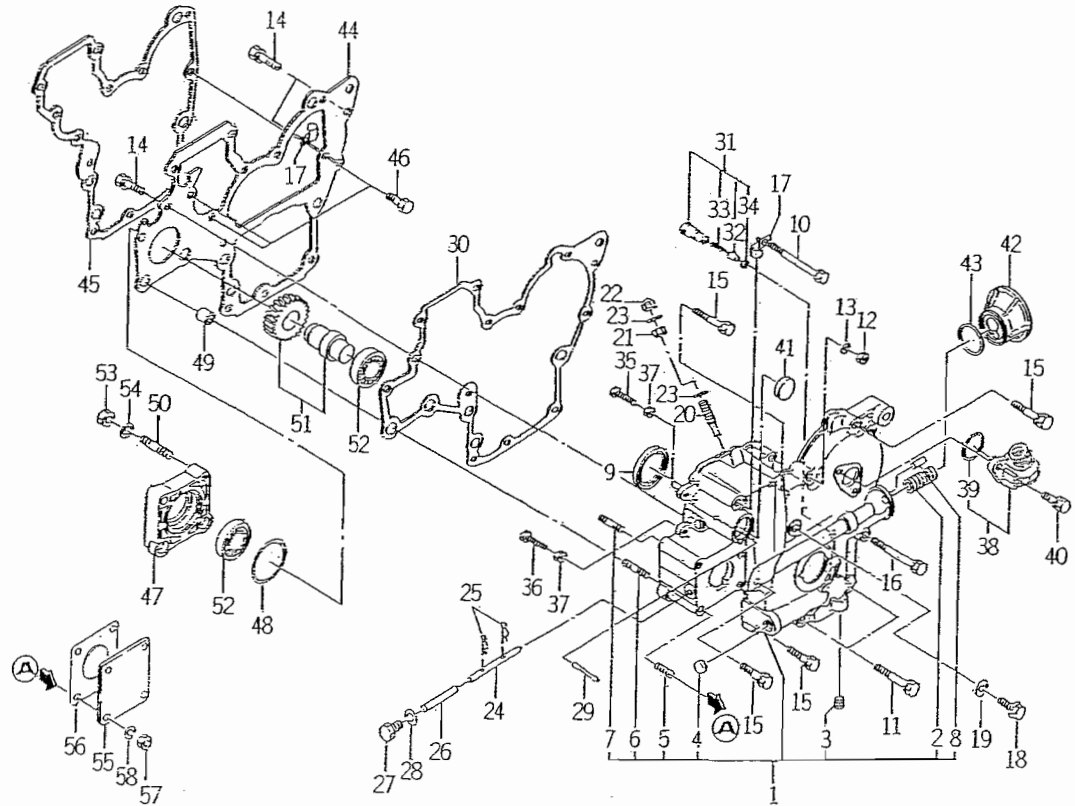
FIG. 9 TIMING GEAR CASE



6003-240R

KEY	PART CODE	DESCRIPTION	QTY	TYPE OF MODEL		I T C	C O L	G R P	REMARKS
				E393G01					
1	6211 - 310 - 021 - 00	GEARCASE ASSY	1	*					
2	6213 - 319 - 004 - 00	CONNECTOR/OILFILTER	1	*					
3	6509 - 605 - 019 - 10	PLUG	1	*					
4	6209 - 610 - 002 - 10	CUP/SEALING/16	1	*					
5	6904 - 110 - 822 - 00	STUD	4	*					
6	6904 - 110 - 855 - 00	STUD	2	*					
7	6904 - 110 - 850 - 00	STUD	1	*					
8	6908 - 160 - 510 - 00	PIN	1	*					
9	6209 - 625 - 002 - 00	SEAL,OIL	1	*					
10	6209 - 030 - 005 - 00	BOLT/M8X85	1	*					
11	6509 - 000 - 084 - 00	BOLT/L = 55	2	*					
12	6909 - 110 - 508 - 00	NUT/M8	1	*					
13	6909 - 150 - 508 - 00	WASHER	1	*					
14	V211 - 560 - 802 - 00	BOLT/M8X20	3	*					
15	6901 - 910 - 845 - 00	BOLT,SEMS/M8X45	5	*					
16	6209 - 030 - 006 - 00	BOLT/M8X75	1	*					
17	1425 - 621 - 004 - 00	CLAMP,HARNESS	2	*					
18	6209 - 046 - 001 - 00	BOLT/M8X30	1	*					
19	6209 - 500 - 003 - 00	WASHER/08X14X01	1	*					
20	6215 - 546 - 003 - 00	STOPPER/FULLLOAD	1	*					
21	6209 - 409 - 001 - 00	NUT/M8	1	*					
22	V341 - 120 - 008 - 00	NUT,CAP/M 8	1	*					
23	6209 - 920 - 002 - 00	PACKING	2	*					
24	6215 - 542 - 004 - 20	PIN/ARM	1	*					
25	P117 - 303 - 003 - 00	PIN/SNAP	2	*					

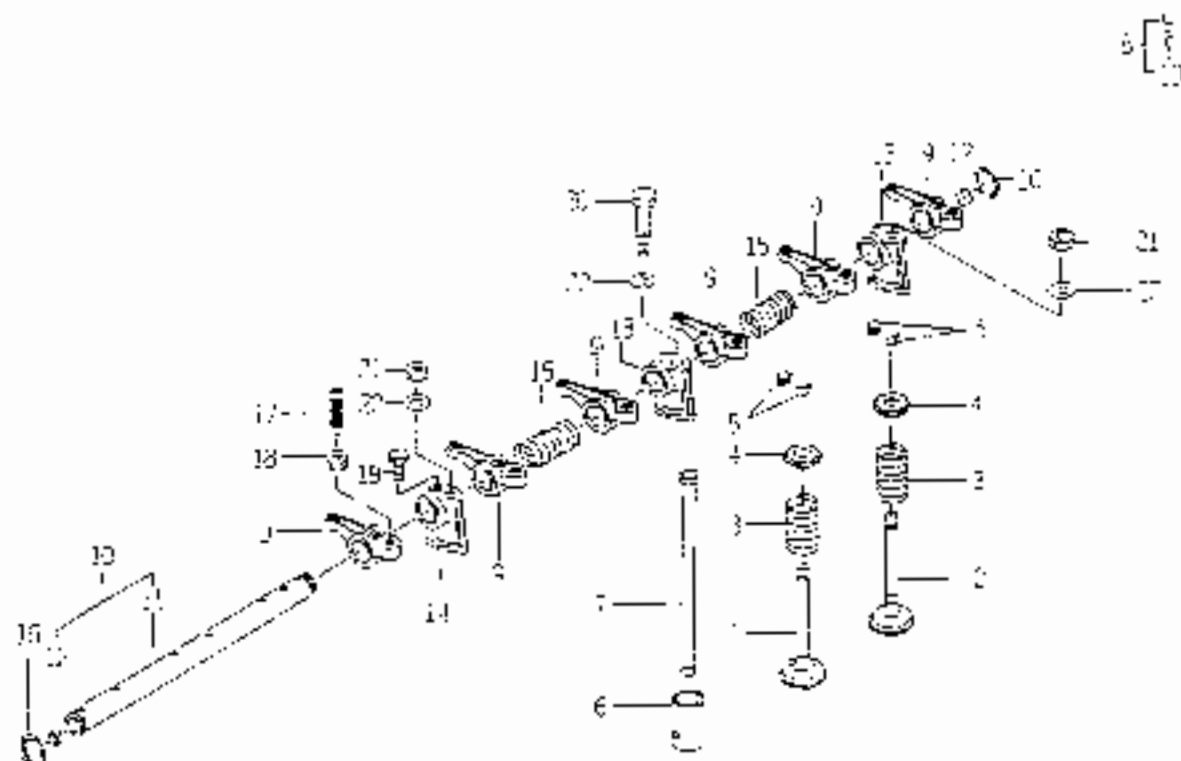
FIG. 9 TIMING GEAR CASE



6003-240H

KEY	PART CODE	DESCRIPTION	QTY	TYPE OF MODEL		I T C	C O L	G R P	REMARKS
				E393G01					
26	6215 - 542 - 005 - 00	PIN	1	*					
27	6909 - 202 - 308 - 00	PLUG	1	*					
28	6209 - 500 - 003 - 00	WASHER/08X14X01	1	*					
29	6209 - 740 - 001 - 00	PIN,GROOVE	1	*					
30	6211 - 312 - 003 - 10	GASKET,GEAR CASE	1	*					
31	6213 - 160 - 002 - 00	VALVE/RELIEF ASSY	1	*					
32	6213 - 161 - 001 - 00	PISTON/RELIEF VALVE	1	*					
33	6213 - 164 - 001 - 00	SPRING/RELIEF VALVE	1	*					
34	V705 - 140 - 012 - 00	RING,SNAP/12 C	1	*					
35	6209 - 050 - 001 - 00	BOLT/M6	1	*					
36	6209 - 050 - 002 - 00	BOLT/M6	1	*					
37	6909 - 110 - 406 - 00	NUT	2	*					
38	6219 - 310 - 003 - 10	DRIVE/TACHOMETE ASSY	1	*					
39	V723 - 102 - 002 - 40	RING/O	1	*					
40	6901 - 910 - 616 - 00	BOLT,SEMS/M6X16	2	*					
41	3625 - 540 - 004 - 00	CAP,BLANK/30	1	*					
42	6213 - 211 - 001 - 10	SPACER,OIL FILTER	1	*					
43	V723 - 102 - 003 - 60	O - RING	1	*					
44	6211 - 311 - 011 - 00	PLATE FRONT	1	*					
45	6211 - 312 - 002 - 20	GASKET/PLATE	1	*					
46	6902 - 050 - 816 - 00	BOLT	3	*					
47	6211 - 319 - 003 - 00	SPACER	1	*					
48	V723 - 102 - 005 - 00	O - RING 1A S50	1	*					
49	6209 - 749 - 001 - 20	PIN/TUBE	2	*					
50	6904 - 110 - 822 - 00	STUD	1	*					

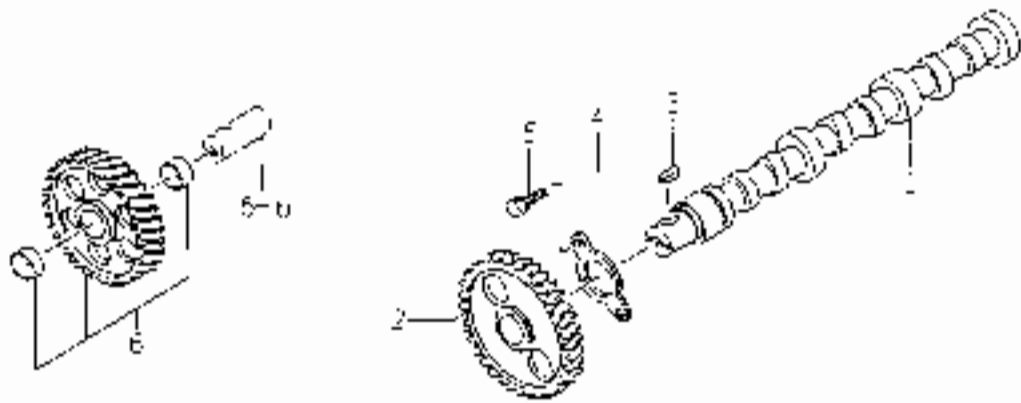
FIG. 11 VALVE



MIL-15

KEY	PART CODE	DESCRIPTION	QTY	TYPE OF MODEL			REMARKS
				1	T	C	
1	6212-551-001-00	VALVE INTAKE	3				
2	6212-552-001-00	VALVE EXHAUST	3				
3	6212-551-001-00	SPRING VALVE	6				
4	6212-553-001-00	SEAL VALVE SPRING	6				
5	6212-555-001-00	CUTTER VALVE	2				
6	6212-571-003-00	TAP-61	6				
7	6212-575-001-00	ROD PUSH	6				
8	6212-600-002-00	SHAFT/ROCKER ASSY	1				
9	6212-611-004-00	ROCKER ARM	3				
10	6212-620-001-00	SHAFT/ROCKER ASSY	1				
11	6212-621-002-00	SHAFT/ROCKER ARM	3				
12	6212-620-002-00	PLUG	2				
13	6212-570-004-00	BRACKET/ROCKER 5 INT	2				
14	6212-529-005-00	BRACKET/ROCKER SHAFT	1				
15	6209-340-004-00	SPRING	2				
16	M704-140-010-00	WAS/SNAP RING	2				
17	6212-515-002-00	SCREW ADJUST	3				
18	6209-400-003-00	NUT	6				
19	6209-300-002-00	WAS	6				
20	6201-350-800-00	BOL./NEX45	1				
21	6909-110-508-00	NUT/M8	2				
22	6200-300-005-00	WAS LP/026 S&M10	3				

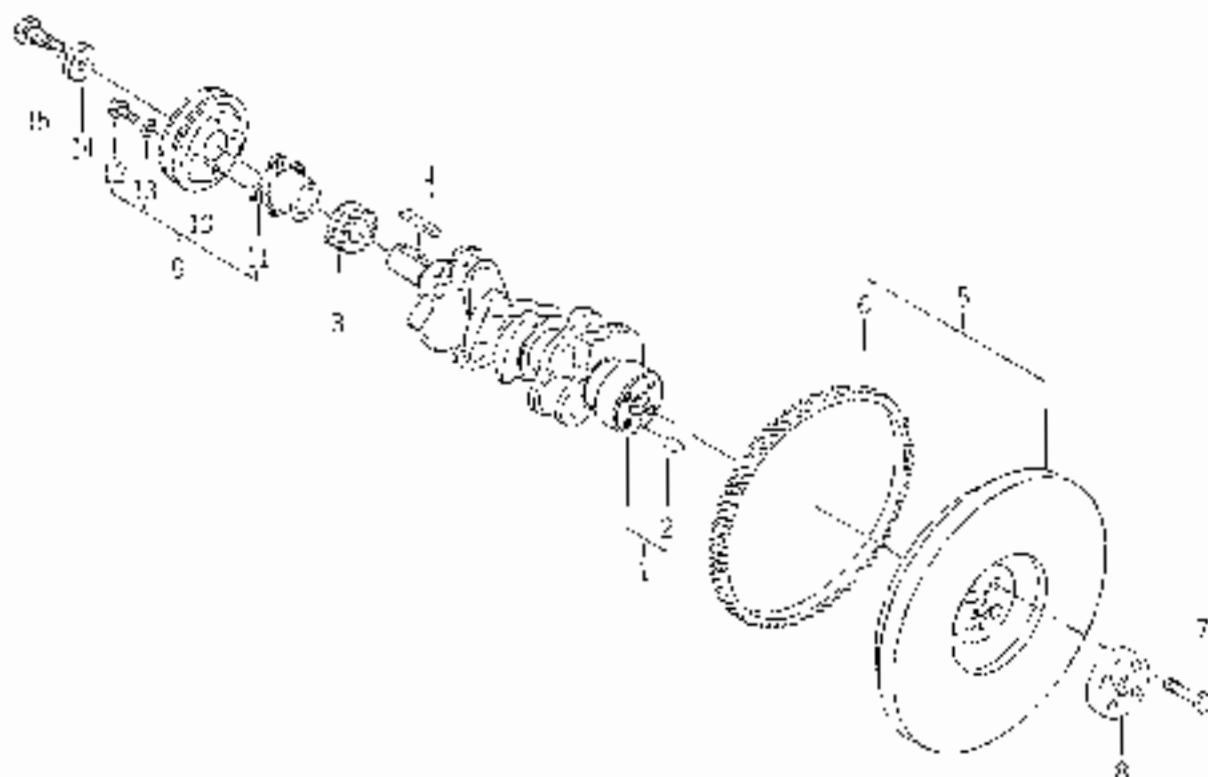
FIG. 12 CAM SHAFT



CC 14

KEY	PART	QOOL	DESCRIPTION	QTY	TYPE OF MODEL			REMARKS	
					EXERCISE	FIG	COL		
1	6212	511	002	00	SHAFT,CAM				
2	6212	522	003	00	GEAR,CAMSHAFT				
3	6508	000	716	00	KEY				
4	0212	535	001	00	PLATE,THRU				
5	6801	910	612	00	BOLT,SPMS (MAX 12)				
6	0212	523	003	00	GEAR,D.F				

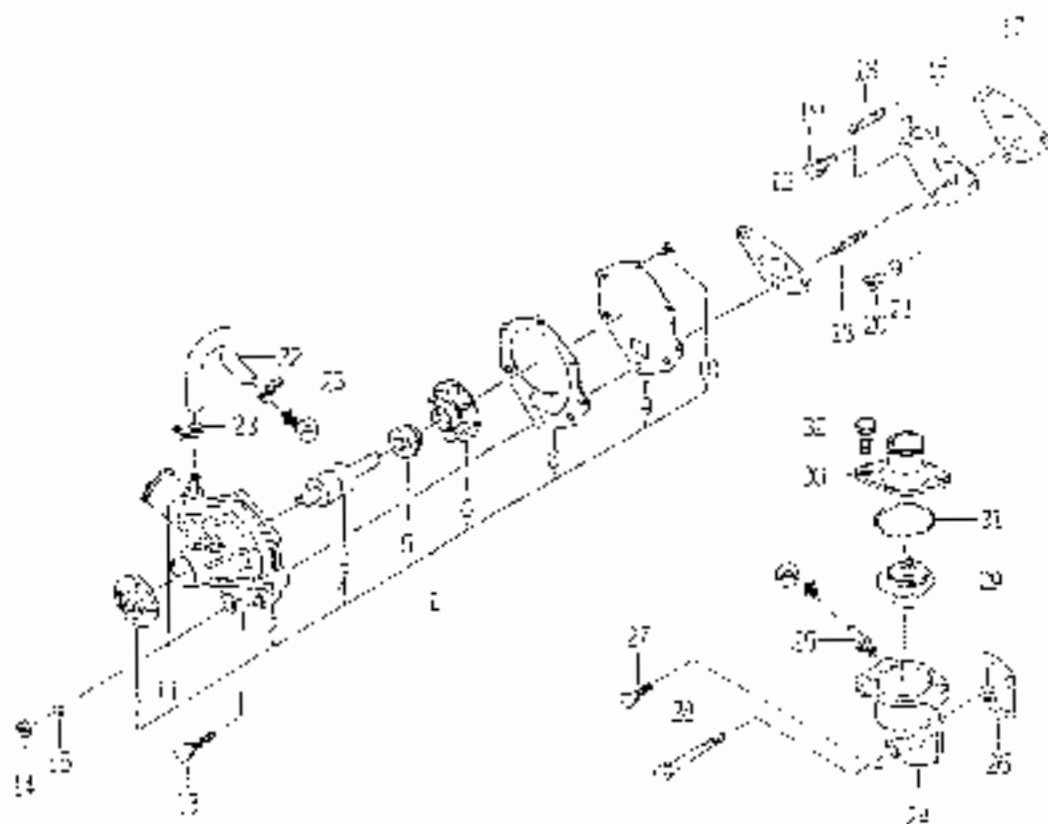
FIG. 15 CRANK SHAFT



100-10.

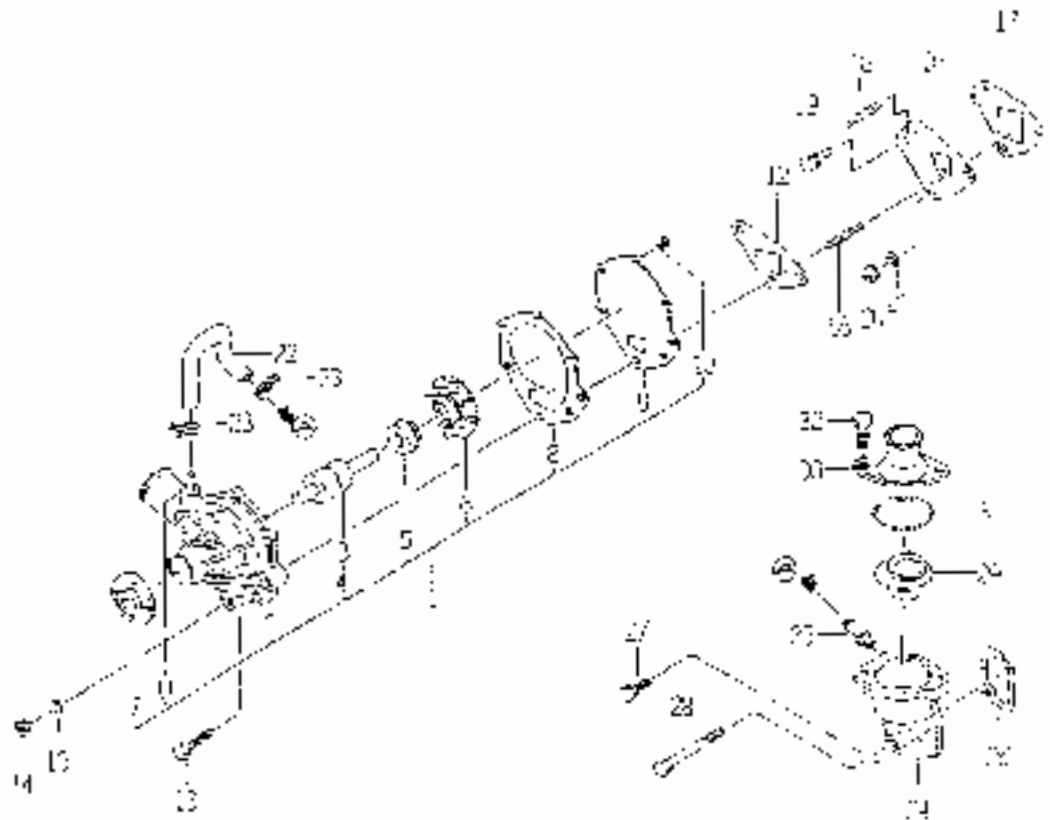
KEY	PART CODE	DESCRIPTION	QTY	TYPE C ¹ MODEL		I T C	C O L	G R P	REMARKS
				E2932J					
1	6212 - 310 - 006 - 10	CRANKSHAFT ASSY	1						
2	7523 - 101 - 001 - 30	PIN	1						
3	6110 - 521 - 002 - 00	GEAR/CRANK SHAFT	1						
4	6008 - 000 - 750 - 20	KEY	1						
5	6212 - 330 - 046 - 00	FLYWHEEL ASSY	1						
6	6212 - 333 - 003 - 00	HINGEGEAR	1						
7	5209 - 000 - 025 - 00	BOLT	4						
8	6008 - 000 - 004 - 10	WASHER/SPLINE	1						
9	6212 - 370 - 011 - 30	PULLEY ASSY	1						
10	6212 - 371 - 009 - 00	PULLEY	1						
11	6212 - 372 - 002 - 10	CENTER CRANK PULLEY	1						
12	6007 - 050 - 010 - 00	BOLT	4						
13	5909 - 150 - 505 - 00	WASHER/SP/GE	4						
14	6212 - 370 - 001 - 30	WASHER	1						
15	6001 - 066 - 641 - 00	BOLT	1						

FIG. 17 WATER PUMP



KEY	PART CODE	DESCRIPTION	QTY	TYPE OF VOUEL				REMARKS
				E	C	L	P	
1	6213 - 610 - 005 - 40	WATERPUMP ASSY						
2	6213 - 611 - 005 - 20	BEARING/WATERPUMP						
3	6213 - 631 - 007 - 00	BEARING/WATER PUMP						
4	6213 - 631 - 005 - 00	BEARING/WATERPUMP						
5	6213 - 677 - 002 - 10	SEAL - FT/WATER PUMP						
6	6213 - 611 - 003 - 00	ROTOR/WATERPUMP	1					
7	6213 - 542 - 002 - 00	SEAL/WATER PUMP-PULL	1					
8	6213 - 513 - 002 - 00	GASKET	1					
9	6213 - 512 - 004 - 00	PLATE/WATER PUMP	1					
10	6213 - 515 - 005 - 00	FORM/WATER PUMP	3					
11	6213 - 615 - 002 - 00	PISTON/WATER PUMP	2					
12	6213 - 614 - 003 - 10	GASKET/WATER PUMP						
13	6201 - 910 - 845 - 00	BOLT/SEW/M4x5						
14	5308 - 110 - 508 - 00	NUT M8	2					
15	5202 - 150 - 508 - 00	WASHER	2					
16	6213 - 612 - 005 - 00	SPACER/WATER PUMP	1					
17	6213 - 614 - 006 - 10	GASKET/SPACER	1					
18	6209 - 300 - 002 - 00	SEAL	2					
19	6211 - 560 - 802 - 00	BOLT M8x30	1					
20	5308 - 110 - 500 - 00	NUT M8						
21	6009 - 150 - 508 - 00	WASHER						
22	5213 - 729 - 013 - 10	RING RUBBER						
23	0001 - 210 - 011 - 00	CLAMP WIRE/10-15	2					
24	6213 - 716 - 001 - 40	HOUSING/THERMOSTAT	1					
25	6213 - 721 - 003 - 00	HOSE/PUMP HOUSING	1					

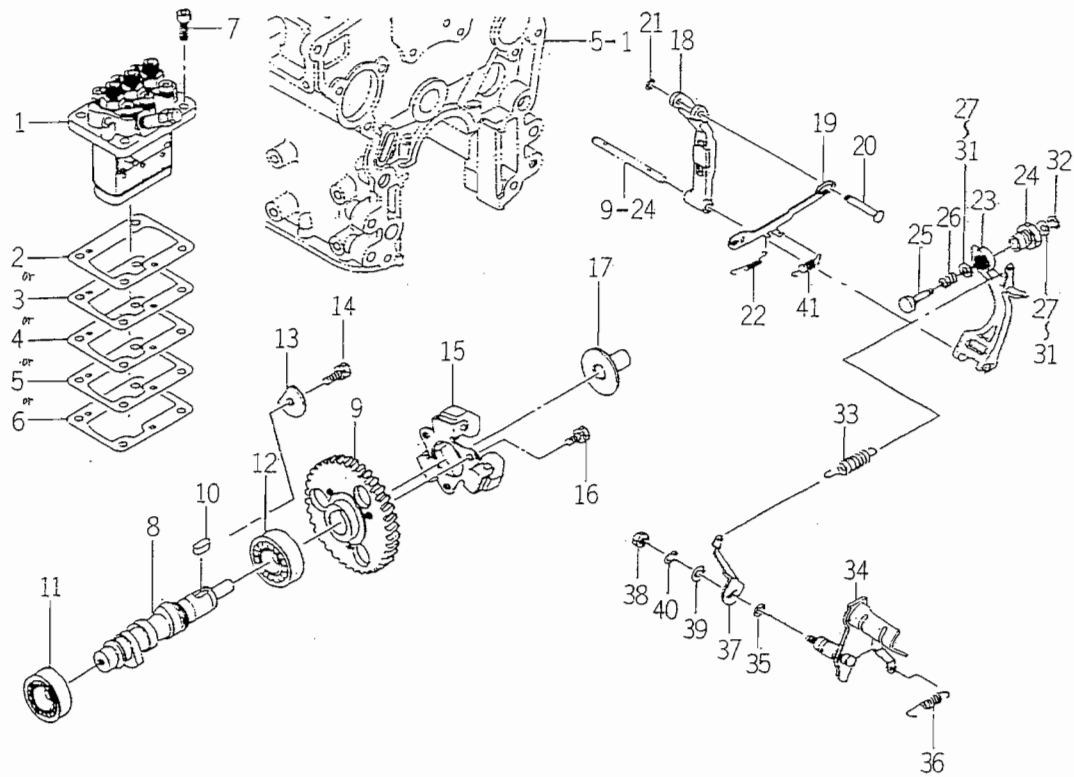
FIG. 17 WATER PUMP



See also:

KEY	PART CODE	DESCRIPTION	QTY	TYPE OF MODEL			REMARKS
				C	O	P	
26	5213 - 743 - 007 - 10	GASKET/POUNDS	1				
27	V1 - 500 - 802 - 30	BOLT/M8x20	1				
28	8709 - 050 - 000 - 00	BOLT/M8x75	1				
29	6513 - 170 - 012 - 10	WASHER	1				
30	6212 - 711 - 003 - 20	PIPEWATER OUTLET	1				
31	V723 - 102 - 005 - 50	O-RING	1				
32	6507 - 610 - 650 - 00	BOLT	2				

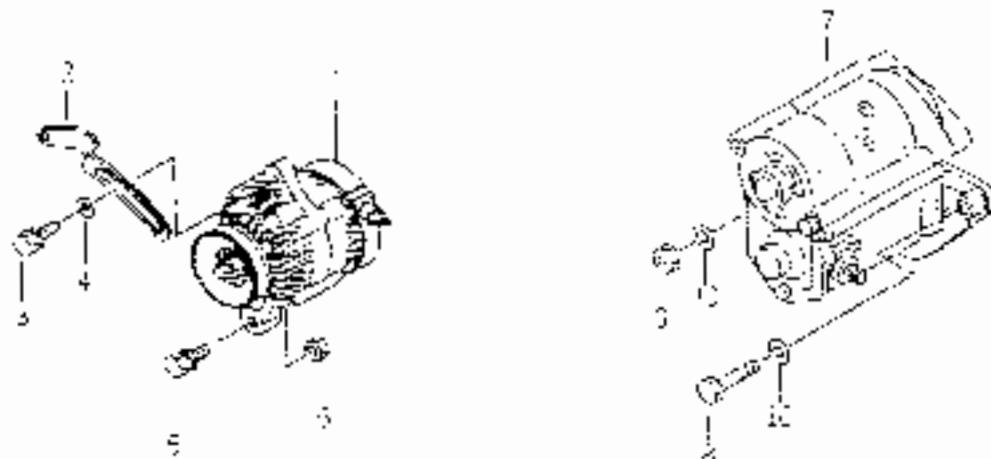
FIG. 20 INJECTION PUMP



6003-510X

KEY	PART CODE	DESCRIPTION	QTY	TYPE OF MODEL		I T C	C O L	G R P	REMARKS
				E393G01					
1	6215 - 600 - 109 - 10	INJECTIONPUMP ASSY	1	*					FIG 025
2	6219 - 752 - 001 - 00	SHIM,INJECTION PUMP	1	*					
3	6219 - 752 - 002 - 00	SHIM,INJECTION PUMP	1	*					
4	6219 - 752 - 003 - 00	SHIM,INJECTION PUMP	1	*					
5	6219 - 752 - 004 - 00	SHIM,INJECTION PUMP	1	*					
6	6219 - 752 - 005 - 00	SHIM,INJECTION PUMP	1	*					
7	6209 - 056 - 001 - 00	BOLT/M6X18	4	*					
8	6215 - 621 - 001 - 30	CAMSHAFT/INJPUMP	1	*					
9	6212 - 524 - 002 - 00	GEAR,INJ PUMP	1	*					
10	6908 - 000 - 716 - 00	KEY	1	*					
11	V600 - 110 - 620 - 30	BEARING,RB/6203	1	*					
12	V600 - 110 - 600 - 40	BEARING,RB/6004	1	*					
13	6212 - 535 - 002 - 00	PLATE,THRUST INJPUMP	1	*					
14	6901 - 910 - 612 - 00	BOLT,SEMS/M6X12	1	*					
15	6215 - 520 - 001 - 00	FLYWEIGHT	1	*					
16	6209 - 030 - 043 - 00	BOLT/M6X10	3	*					
17	6215 - 526 - 001 - 10	PIECE,THRUST	1	*					
18	6215 - 541 - 001 - 00	ARM,FLOATING	1	*					
19	6215 - 543 - 001 - 10	LINK,CONTROL	1	*					
20	6215 - 542 - 006 - 00	PIN,CONTROL	1	*					
21	V710 - 140 - 004 - 00	RING,SNAP/ 4 E	1	*					
22	6215 - 549 - 003 - 00	SPRING,SETTING	1	*					
23	6215 - 541 - 016 - 30	ARM/TENSION	1	*					
24	6215 - 549 - 028 - 10	CASE/ADAPTER	1	*					
25	6215 - 549 - 027 - 10	PIN/ADAPTER	1	*					

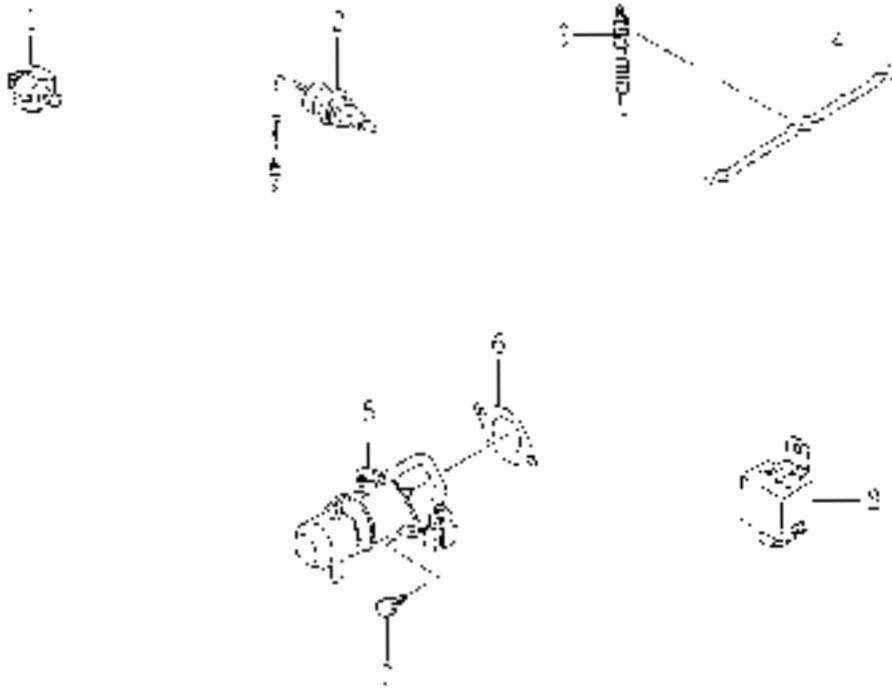
FIG. 22 ELECTRIC (1)



GROUP

KEY	PART CODE	DESCRIPTION	QTY	TYPE OF WORK		I C	L C	P C	REMARKS
				EXCISE					
1	0281 - 200 - 005 - 00	GENERATOR ASSY	1						FIG 027
2	0213 - 674 - 003 - 00	PLATE/ADJ.UFT	1						
3	4211 - 530 - 902 - 00	BOLT/V8X10	2						
4	1373 - 121 - 001 - 00	WASHER 10X22X2	2						
5	6208 - 021 - 085 - 00	NUT/W3P	1						
6	9309 - 110 - 110 - 00	NUT/M10	4						
7	5281 - 100 - 005 - 00	STARTER ASSY	1						FIG 028
8	4203 - 201 - 004 - 00	BOLT	1						
9	0000 - 110 - 410 - 00	NUT/V10	2						
10	6808 - 150 - 510 - 00	WASHER 50/V 0	2						

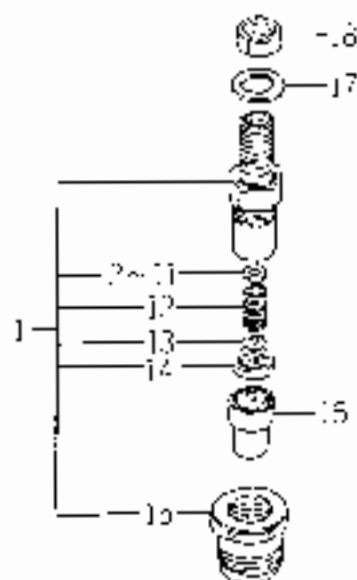
FIG. 23 ELECTRIC (2)



TABLE

KEY	PART CODE	DESCRIPTION	QTY	TYPE OF WJLF.		I C	C O L	C P	REMARKS
				ES03G01					
1	0281 - 97 - 003 - 00	SWITCH/COMPRESSOR	1						
2	5262 - 450 - 002 - 00	SWITCH/GOVERNOR	1						
3	6181 - 710 - 000 - 00	SWITCH	3						
4	0219 - 732 - 002 - 00	CONNECTOR/PLUG FLUG	1						
5	0281 - 910 - 001 - 00	BRACKET	1						
6	0200 - 030 - 000 - 10	GASKET	1						
7	0001 - 010 - 512 - 00	RO. T.EDMS/M5X12	2						
8	0281 - 970 - 001 - 00	RELAY/RELAY	1						

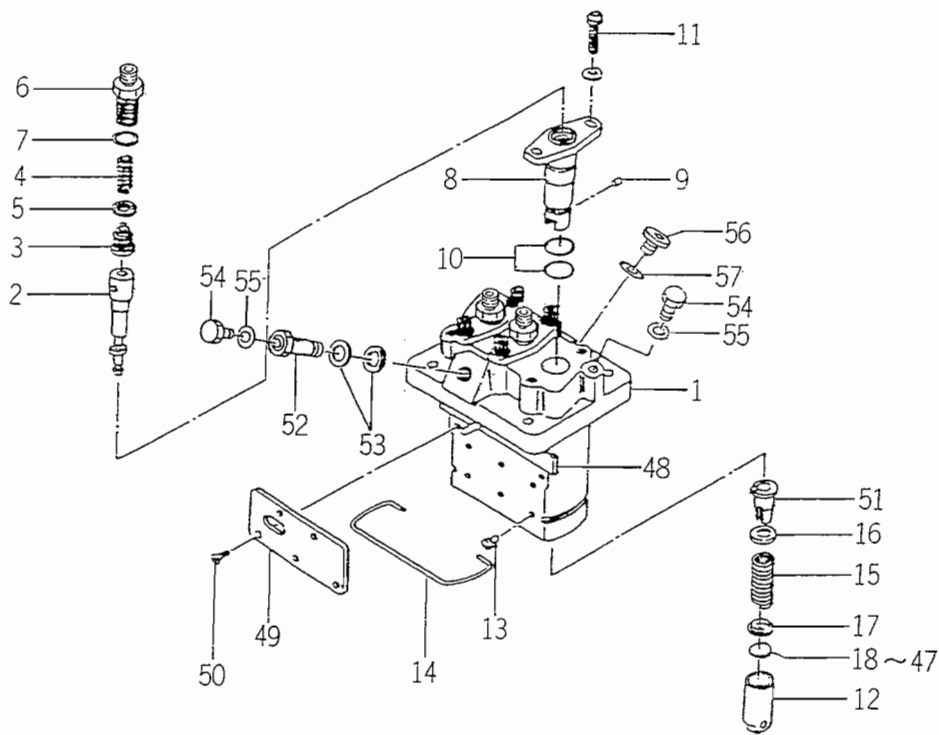
FIG. 24 COMPONENT PARTS FOR 6215 - 300 - 037 - 00 ON Fig.19



00-000

KEY	PART CODE	DESCRIPTION	QTY	TYPE OF MODEL		C	G	R	P	REMARKS
				ES	300					
1	6215 - 300 - 037 - 00	NOZZLE ASSY	1							
2	6215 - 345 - 044 - 00	SHIM/T=0.1	3							
3	6215 - 345 - 045 - 00	SHIM/T=0.2	3							
4	6215 - 345 - 046 - 00	SHIM/T=0.3	3							
5	6215 - 345 - 047 - 00	SHIM/T=0.4	3							
6	6215 - 345 - 048 - 00	SHIM/T=0.5	3							
7	6215 - 345 - 049 - 00	SHIM/T=0.6	3							
8	6215 - 345 - 050 - 00	SHIM/T=0.7	3							
9	6215 - 345 - 051 - 00	SHIM/T=0.8	3							
10	6215 - 345 - 052 - 00	SHIM/T=0.9	3							
11	6215 - 345 - 053 - 00	SHIM/T=1.0	3							
12	6215 - 143 - 002 - 00	SPRING NOZZLE	3							
13	6215 - 342 - 002 - 00	SEAL SPRING	3							
14	6215 - 330 - 004 - 00	SPACER	3							
15	6215 - 300 - 006 - 00	N.T. NOZZLE RETAINING	3							
16	6215 - 300 - 005 - 00	NOZZLE	3							
17	6215 - 360 - 000 - 00	GASKET	3							
18	6215 - 355 - 004 - 00	N.T.	3							

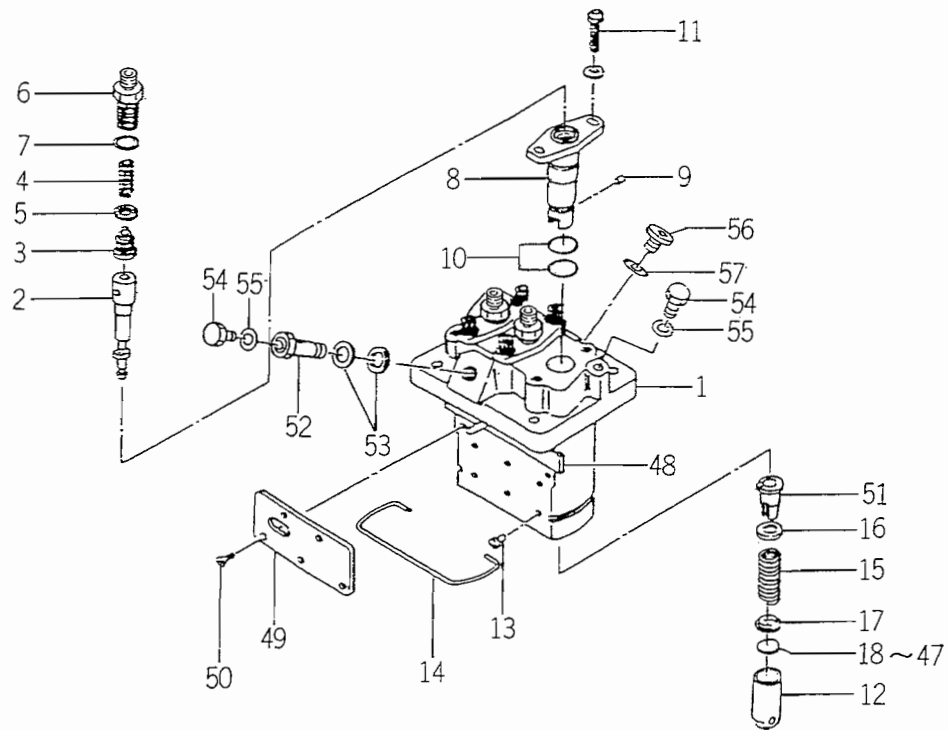
FIG. 25 COMPONENT PARTS FOR 6215 - 600 - 109 - 10 ON Fig.20



6215-6001

KEY	PART CODE	DESCRIPTION	QTY	TYPE OF MODEL		I T C	C O L	G R P	REMARKS
				E393G01					
1	6215 - 611 - 002 - 00	HOUSING,PUMP	1	*					
2	6215 - 631 - 017 - 00	PLUNGER ASSY	3	*					
3	6215 - 641 - 007 - 00	DELIVERYVALVE	3	*					
4	6215 - 643 - 002 - 00	SPRING DELIVERY VALV	3	*					
5	6215 - 649 - 003 - 00	GASKET	3	*					
6	6215 - 644 - 002 - 00	HOLDER DELIVERY VALV	3	*					
7	6215 - 649 - 004 - 00	O - RING	3	*					
8	6215 - 635 - 002 - 00	SLEEVE,FRANGE	3	*					
9	6215 - 649 - 005 - 00	PIN	3	*					
10	6215 - 649 - 006 - 00	O - RING	6	*					
11	6215 - 649 - 007 - 00	SCREW	6	*					
12	6215 - 622 - 002 - 00	TAPPET	3	*					
13	6215 - 629 - 017 - 00	PIN	3	*					
14	6215 - 629 - 018 - 00	RING,SNAP	1	*					
15	6215 - 634 - 002 - 00	SPRING,PLUNGER	3	*					
16	6215 - 639 - 006 - 00	SEAT,SPRING	3	*					
17	6215 - 639 - 007 - 00	SEAT,SPRING	3	*					
18	6215 - 629 - 020 - 00	PLATE/T = 1.80	3	*					
19	6215 - 629 - 021 - 00	PLATE/T = 1.85	3	*					
20	6215 - 629 - 022 - 00	PLATE/T = 1.90	3	*					
21	6215 - 629 - 023 - 00	PLATE/T = 1.95	3	*					
22	6215 - 629 - 024 - 00	PLATE/T = 2.00	3	*					
23	6215 - 629 - 025 - 00	PLATE/T = 2.05	3	*					
24	6215 - 629 - 026 - 00	PLATE/T = 2.10	3	*					
25	6215 - 629 - 027 - 00	PLATE/T = 2.15	3	*					

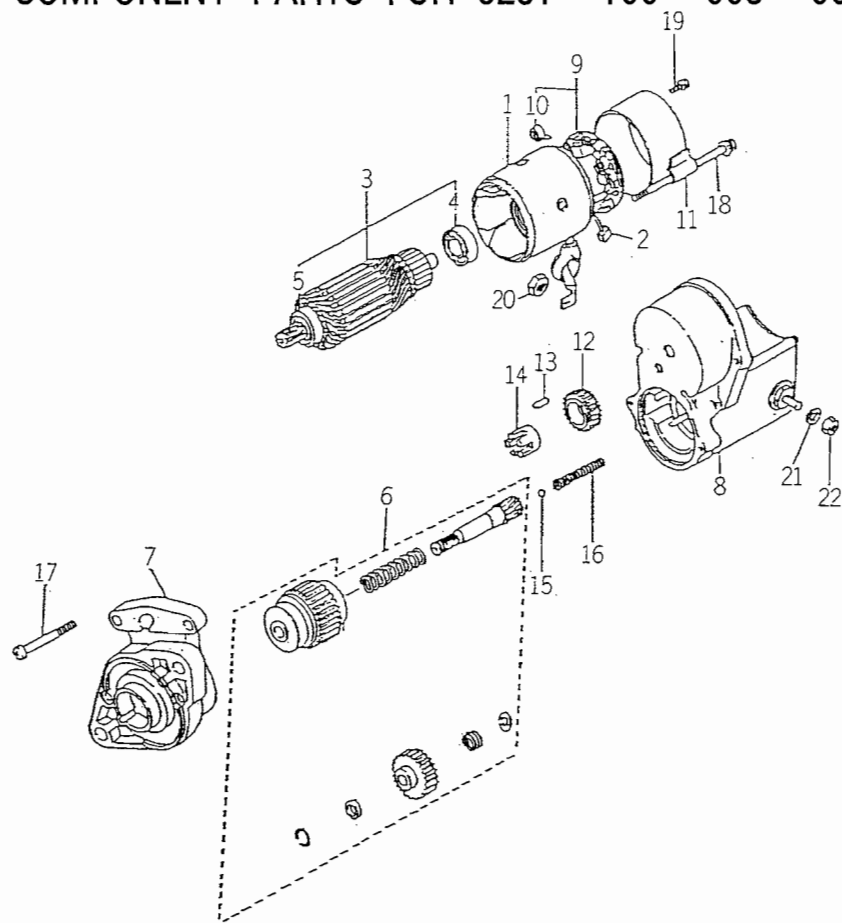
FIG. 25 COMPONENT PARTS FOR 6215 - 600 - 109 - 10 ON Fig.20



6215-6001

KEY	PART CODE	DESCRIPTION	QTY	TYPE OF MODEL		I T C	C O L	G R P	REMARKS
				E393601					
26	6215 - 629 - 028 - 00	PLATE/T = 2.20	3	*					
27	6215 - 629 - 029 - 00	PLATE/T = 2.25	3	*					
28	6215 - 629 - 030 - 00	PLATE/T = 2.30	3	*					
29	6215 - 629 - 031 - 00	PLATE/T = 2.35	3	*					
30	6215 - 629 - 032 - 00	PLATE/T = 2.40	3	*					
31	6215 - 629 - 033 - 00	PLATE/T = 2.45	3	*					
32	6215 - 629 - 034 - 00	PLATE/T = 2.50	3	*					
33	6215 - 629 - 068 - 00	PLATE/T = 1.825	3	*					
34	6215 - 629 - 069 - 00	PLATE/T = 1.875	3	*					
35	6215 - 629 - 070 - 00	PLATE/T = 1.925	3	*					
36	6215 - 629 - 071 - 00	PLATE/T = 1.975	3	*					
37	6215 - 629 - 072 - 00	PLATE/T = 2.025	3	*					
38	6215 - 629 - 073 - 00	PLATE/T = 2.075	3	*					
39	6215 - 629 - 074 - 00	PLATE/T = 2.125	3	*					
40	6215 - 629 - 075 - 00	PLATE/T = 2.175	3	*					
41	6215 - 629 - 076 - 00	PLATE/T = 2.225	3	*					
42	6215 - 629 - 077 - 00	PLATE/T = 2.275	3	*					
43	6215 - 629 - 078 - 00	PLATE/T = 2.325	3	*					
44	6215 - 629 - 079 - 00	PLATE/T = 2.375	3	*					
45	6215 - 629 - 080 - 00	PLATE/T = 2.425	3	*					
46	6215 - 629 - 081 - 00	PLATE/T = 2.475	3	*					
47	6215 - 629 - 082 - 00	PLATE/T = 2.525	3	*					
48	6215 - 637 - 002 - 00	ROD,CONTROL	1	*					
49	6215 - 612 - 002 - 00	PLATE	1	*					
50	6215 - 619 - 012 - 00	SCREW	4	*					

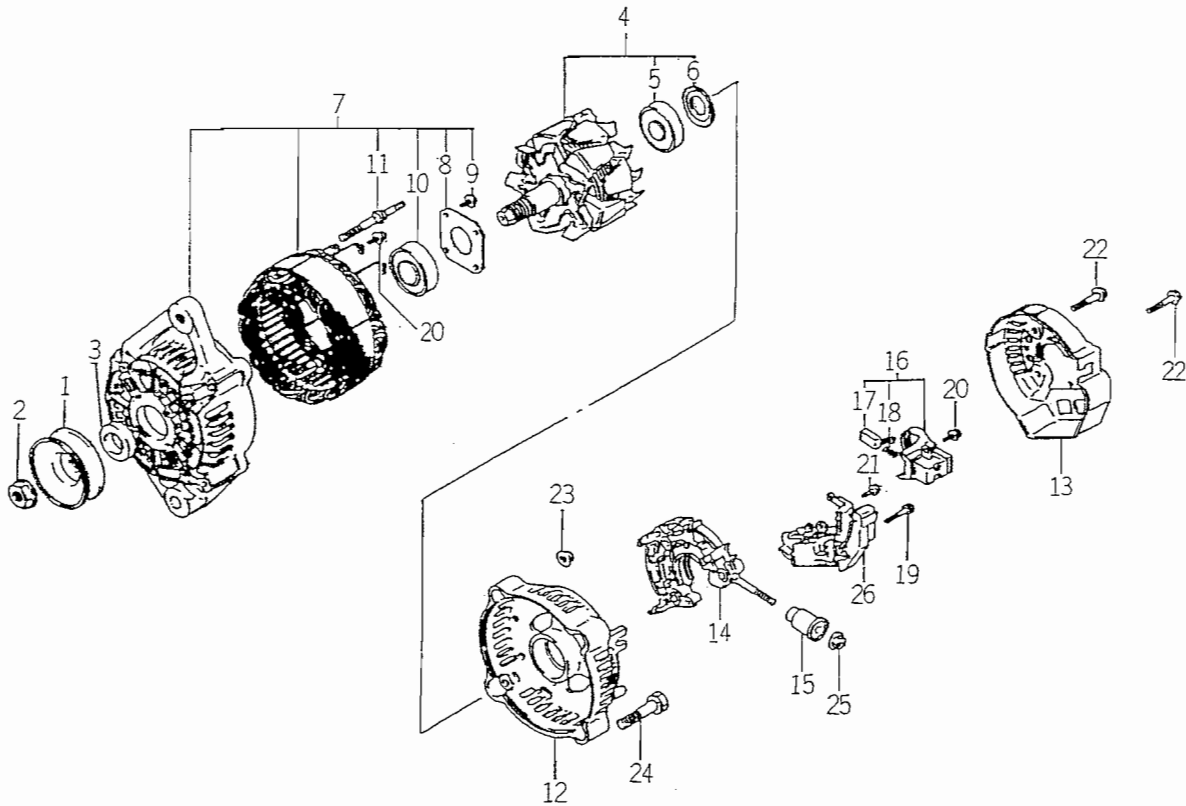
FIG. 26 COMPONENT PARTS FOR 6281 - 100 - 005 - 00 ON Fig.22



6281-1000

KEY	PART CODE	DESCRIPTION	QTY	TYPE OF MODEL		I T C	C O L	G R P	REMARKS
				E393G01					
1	6281 - 111 - 002 - 00	YOKE/STARTER	1	*					
2	6281 - 116 - 002 - 00	STARTER KIT	2	*					
3	6281 - 121 - 003 - 00	ARMATURE	1	*					
4	6281 - 129 - 010 - 00	BEARING,BALL	1	*					
5	6281 - 129 - 011 - 00	BEARING,BALL	1	*					
6	6281 - 124 - 001 - 00	STARTER KIT	1	*					
7	6281 - 129 - 020 - 00	HOUSING,STARTER ASSY	1	*					
8	6281 - 151 - 005 - 00	SWITCH,STARTER ASSY	1	*					
9	6281 - 118 - 002 - 00	HOLDER BRUSH ASSY	1	*					
10	6581 - 117 - 007 - 00	SPRING,BRUSH	4	*					
11	6281 - 115 - 005 - 00	FRAME,STARTER END	1	*					
12	6581 - 123 - 011 - 00	PINION,STARTER	1	*					
13	6581 - 129 - 099 - 00	RORA	5	*					
14	6581 - 129 - 100 - 00	RETAINER	1	*					
15	6581 - 129 - 092 - 00	BALL	1	*					
16	6581 - 129 - 096 - 00	SPRING	1	*					
17	6281 - 129 - 006 - 00	SCREW	2	*					
18	6281 - 129 - 008 - 00	BOLT/WS	2	*					
19	6281 - 129 - 009 - 00	SCREW/WS	2	*					
20	6909 - 111 - 508 - 00	NUT	1	*					
21	6909 - 150 - 508 - 00	WASHER	1	*					
22	6909 - 110 - 408 - 00	NUT/M8	1	*					

FIG. 27 COMPONENT PARTS FOR 6281 - 200 - 005 - 00 ON Fig.22

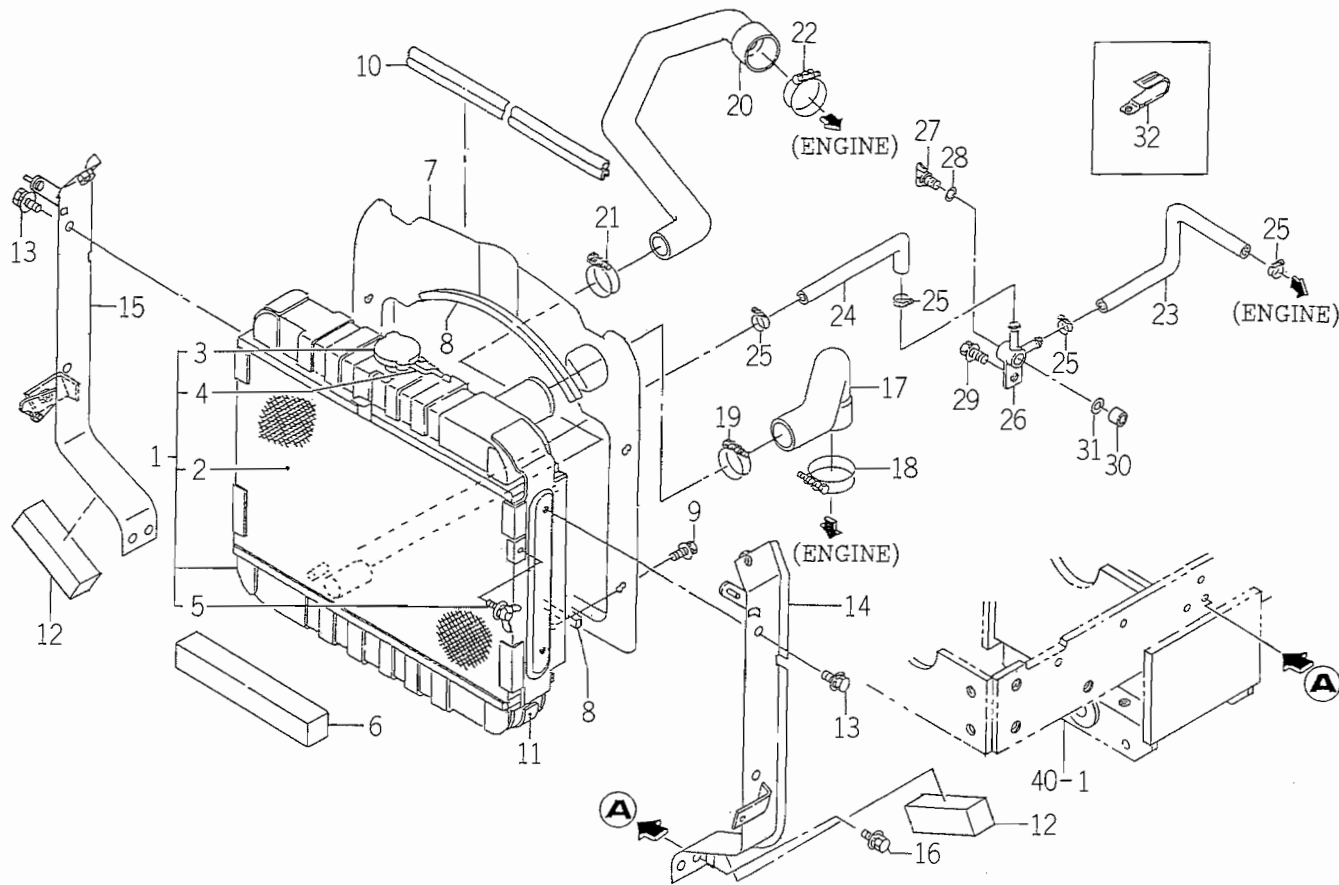


6281-2000

KEY	PART CODE	DESCRIPTION	QTY	TYPE OF MODEL		I T C	C O L	G R P	REMARKS
				E393G01					
1	6281 - 222 - 004 - 00	PULLEY	1	*					
2	6281 - 229 - 002 - 00	NUT	1	*					
3	6281 - 229 - 003 - 00	COLLOR	1	*					
4	6281 - 221 - 001 - 00	ROTOR ASSY	1	*					
5	6281 - 229 - 005 - 00	BEARING	1	*					
6	6281 - 229 - 004 - 00	COVER,BEARING	1	*					
7	6281 - 213 - 006 - 00	FRAME ASSY	1	*					
8	6281 - 229 - 006 - 00	PLATE	1	*					
9	6281 - 229 - 007 - 00	BOLT	4	*					
10	6281 - 229 - 009 - 00	BEARING	1	*					
11	6281 - 229 - 008 - 00	BOLT	2	*					
12	6281 - 214 - 003 - 00	FRAME	1	*					
13	6281 - 214 - 004 - 00	COVER	1	*					
14	6281 - 229 - 029 - 00	HOLDER ASSY	1	*					
15	6281 - 229 - 011 - 00	BUSH	1	*					
16	6281 - 217 - 001 - 00	HOLDER,BRUSH ASSY	1	*					
17	6281 - 215 - 001 - 00	BRUSH	2	*					
18	6281 - 216 - 001 - 00	SPRING	2	*					
19	6281 - 229 - 012 - 00	BOLT	2	*					
20	6281 - 229 - 013 - 00	BOLT	6	*					
21	6281 - 229 - 014 - 00	BOLT	1	*					
22	6281 - 229 - 015 - 00	BOLT	3	*					
23	6281 - 229 - 016 - 00	NUT	2	*					
24	6281 - 229 - 017 - 00	BOLT	2	*					
25	6281 - 229 - 018 - 00	NUT	1	*					

CHASSIS

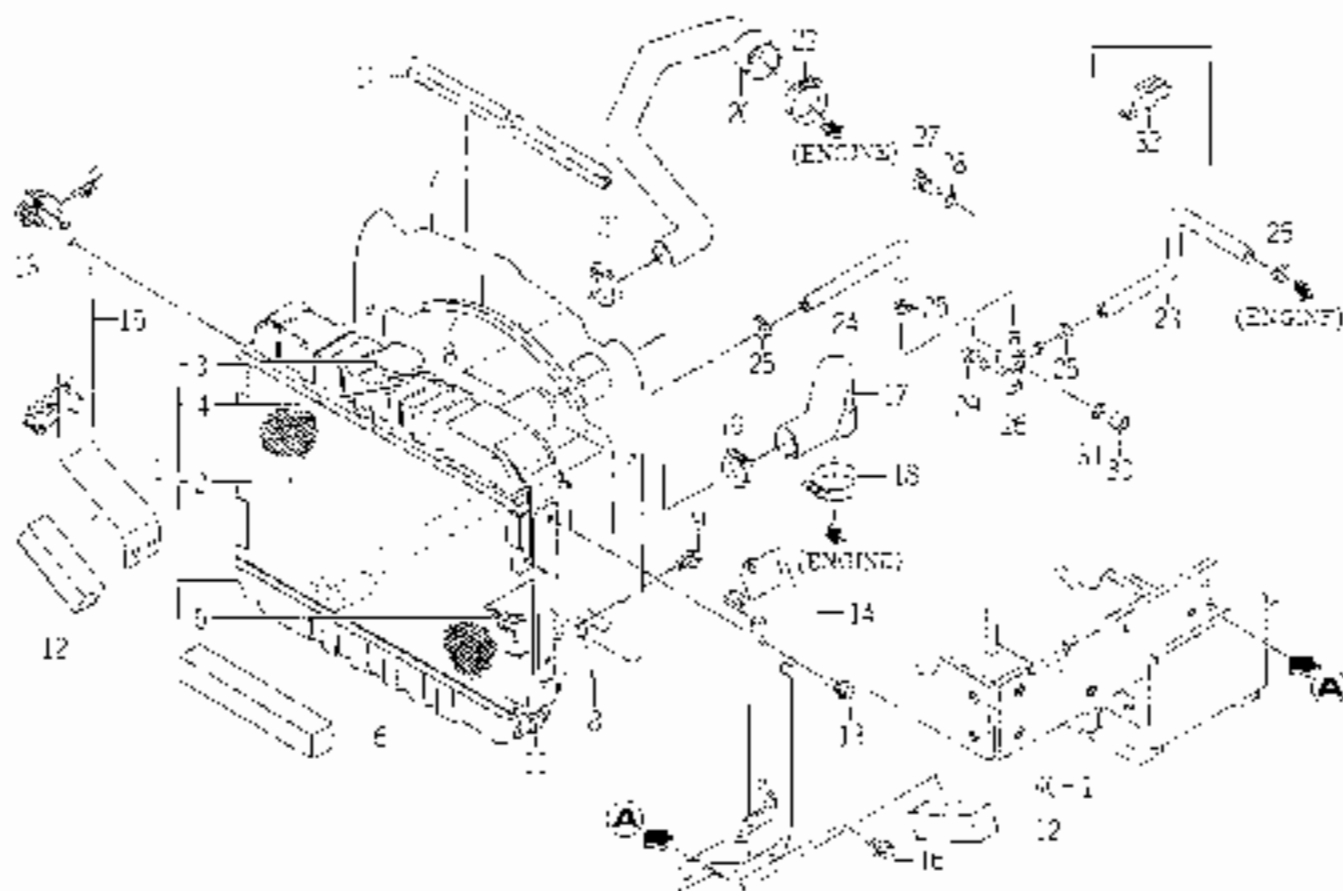
FIG. 1 RADIATOR SYSTEM



1683-102

KEY	PART CODE	DESCRIPTION	QTY	TYPE OF MODEL		I T C	C O L	G R P	REMARKS
				TMG18					
1	1675 - 102 - 200 - 00	RADIATOR ASSY	1	*					
2	1637 - 102 - 202 - 00	NET/WIRE COMP	1	*					
3	1614 - 102 - 213 - 00	CAP	1	*					
4	1614 - 102 - 214 - 00	HOSE	1	*					
5	V273 - 360 - 601 - 20	BOLT/WING/SP	1	*					
6	1682 - 102 - 003 - 00	INSULATOR/15X20X420	1	*					
7	1683 - 102 - 002 - 00	SHROUD	1	*					
8	1675 - 102 - 002 - 00	INSULATOR	2	*					
9	V210 - 360 - 601 - 20	BOLT,SEMS	4	*					
10	1612 - 111 - 001 - 00	INSULATOR	1	*					
11	1612 - 102 - 005 - 00	INSULATOR	1	*					
12	1672 - 102 - 004 - 00	INSULATOR	2	*					
13	V211 - 360 - 801 - 60	BOLT,SEMS (SP)	4	*					
14	1683 - 102 - 200 - 20	PLATE/LH COMP	1	*					
15	1683 - 102 - 210 - 20	PLATE/RH COMP	1	*					
16	V211 - 360 - 801 - 60	BOLT,SEMS (SP)	4	*					
17	1675 - 102 - 004 - 00	HOSE/RADIATOR/INLET	1	*					
18	J061 - 236 - 044 - 00	CLAMP/WIRE/36 - 44	1	*					
19	J061 - 230 - 038 - 00	CLAMP/WIRE/30 - 38	1	*					
20	1675 - 102 - 006 - 00	HOSE/RADIATOR/OUTLET	1	*					
21	J061 - 224 - 032 - 00	CLAMP/WIRE/24 - 32	1	*					
22	J061 - 236 - 044 - 00	CLAMP/WIRE/36 - 44	1	*					
23	1682 - 102 - 004 - 00	HOSE/250	1	*					
24	1593 - 102 - 004 - 20	HOSE/210	1	*					
25	J061 - 210 - 015 - 00	CLAMP/WIRE/10 - 15	4	*					

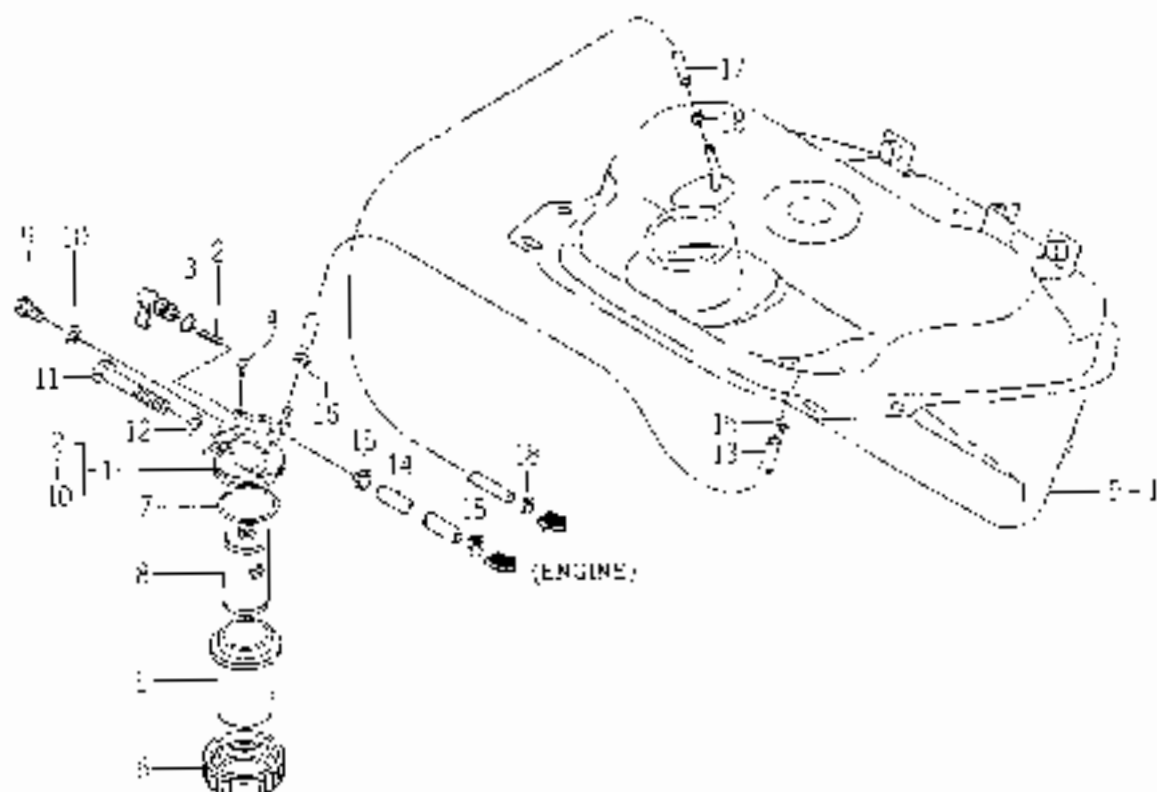
FIG. 1 RADIATOR SYSTEM



INDEX

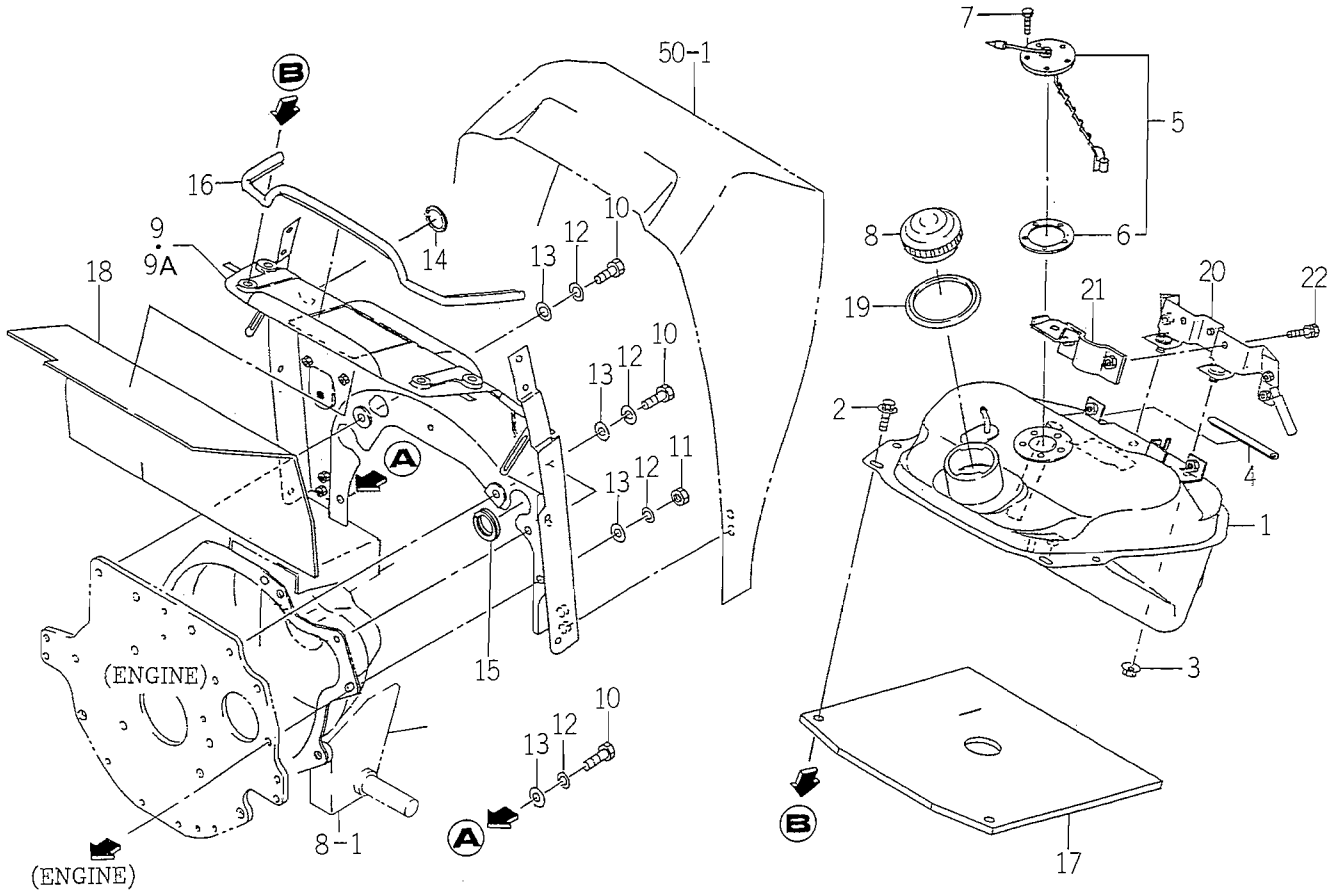
KEY	PART CODE	DESCRIPTION	QTY	TYPE OF MODL		I T C	C O L	H R P	REMARKS
					TYPE				
26	1550 - 104 - 010 - 40	CONNECTOR	1						
27	1424 - 101 - 205 - 00	PLUG	1						
28	1424 - 101 - 204 - 00	PACKING	1						
29	9211 - 330 - 304 - 00	BOLT	1						
30	1017 - 102 - 006 - 00	NUT/LOCK WASH	1						
21	9211 - 250 - 006 - 00	WASHER/PLATE	1						
32	1425 - 102 - 004 - 00	CLAMP/BAND	1						

FIG. 4 FILTER SYSTEM



KEY	PART CODE	DESCRIPTION	QTY	TYPE OF MODEL	I T C			REMARKS
					C	L	P	
1	1072 105 - 210 - 00	FILTER/FUEL ASSY	1					
2	1415 - 102 - 007 - 00	SPRING VALVE	1					
3	V770 - 102 - 401 - 00	O-RING/1/4"	1					
4	1415 - 102 - 001 - 00	W/O	1					
5	1415 - 102 - 009 - 00	DIP	1					
6	1444 102 - 204 - 00	W/PLUG	1					
7	V770 - 103 - 504 - 40	O-RING/1/4"	1					
8	1415 - 102 - 011 - 00	ELEMENT	1					
9	1572 102 - 003 - 00	HOSE/1/2X1/2X1/2"	2					
10	1415 - 102 - 013 - 00	PACINGS	2					
11	V201 200 - 300 - 00	SCREW/BOLT	1					
12	V401 110 - 005 - 00	WASHER/PLATE	1					
13	1572 105 - 001 - 10	HOSE/1/2X1/2X1/2"	1					
14	2500 - 105 - 002 - 00	HOSE/1/2"	1					
15	1051 210 - 017 - 00	CLAMP/WIRE/12-12	2					
16	J002 111 - 120 - 00	CLIP/HOSE/1/2 12	2					
17	1912 105 - 002 - 00	HOSE/1/2"	1					
18	J052 031 - 007 - 00	CLIP/HOSE/1/2 12	1					

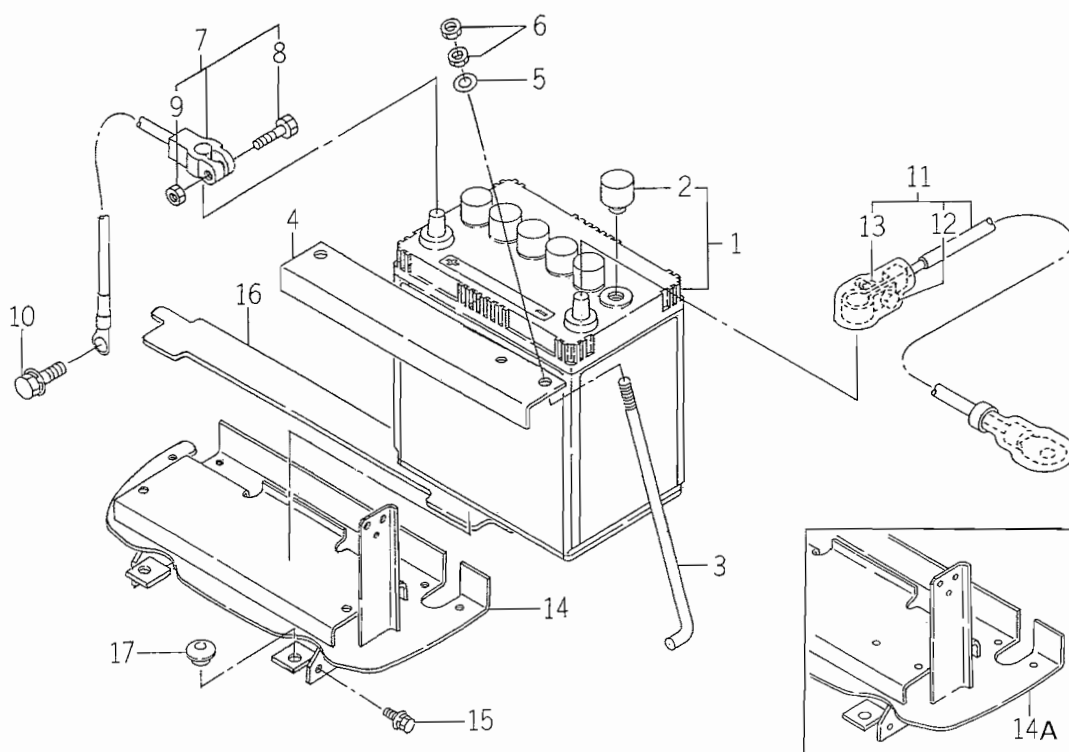
FIG. 5 FUEL TANK SYSTEM



1582-111

KEY	PART CODE	DESCRIPTION	QTY	TYPE OF MODEL		I T C	C O L	G R P	REMARKS
				TMG18					
1	1672 - 111 - 200 - 00	TANK/FUEL COMP	1	*					
2	V211 - 360 - 801 - 60	BOLT,SEMS (SP)	2	*					
3	V363 - 260 - 008 - 00	NUT,LOCK/M8	2	*					
4	1672 - 111 - 002 - 00	PAD/120	1	*					
5	1672 - 111 - 210 - 10	GAUGE/FUEL ASSY	1	*					
6	1416 - 621 - 037 - 00	PACKING/RUBBER	1	*					
7	V200 - 260 - 501 - 0B	BOLT/SEAL	5	*					
8	1682 - 111 - 300 - 00	CAP/FUEL ASSY	1	*					
9	1682 - 111 - 210 - 00	BRACKET/TANK COMP	1	1- -200					
9A	1682 - 111 - 210 - 10	BRACKET/TANK COMP	1	201-		1			
10	V203 - 361 - 002 - 00	BOLT/M10X1.25X20	4	*					
11	V334 - 460 - 010 - 00	NUT/M10 7T P = 1.25	1	*					
12	V401 - 160 - 010 - 00	WASHER,SP/M10	5	*					
13	V411 - 260 - 010 - 00	WASHER/M10	5	*					
14	1600 - 616 - 006 - 00	INSULATOR/75	1	*					
15	1612 - 690 - 001 - 00	INSULATOR/36	2	*					
16	1612 - 111 - 001 - 00	INSULATOR	1	*					
17	1612 - 111 - 002 - 10	INSULATOR	1	*					
18	1672 - 111 - 001 - 00	INSULATOR/TANK	1	*					
19	1560 - 111 - 003 - 20	COVER	1	*					
20	1612 - 111 - 230 - 10	BRACKET/TANK COMP	1	*					
21	1672 - 111 - 230 - 00	BRACKET/LEVER COMP	1	*					
22	V211 - 260 - 802 - 00	BOLT,SEMS (S)	2	*					

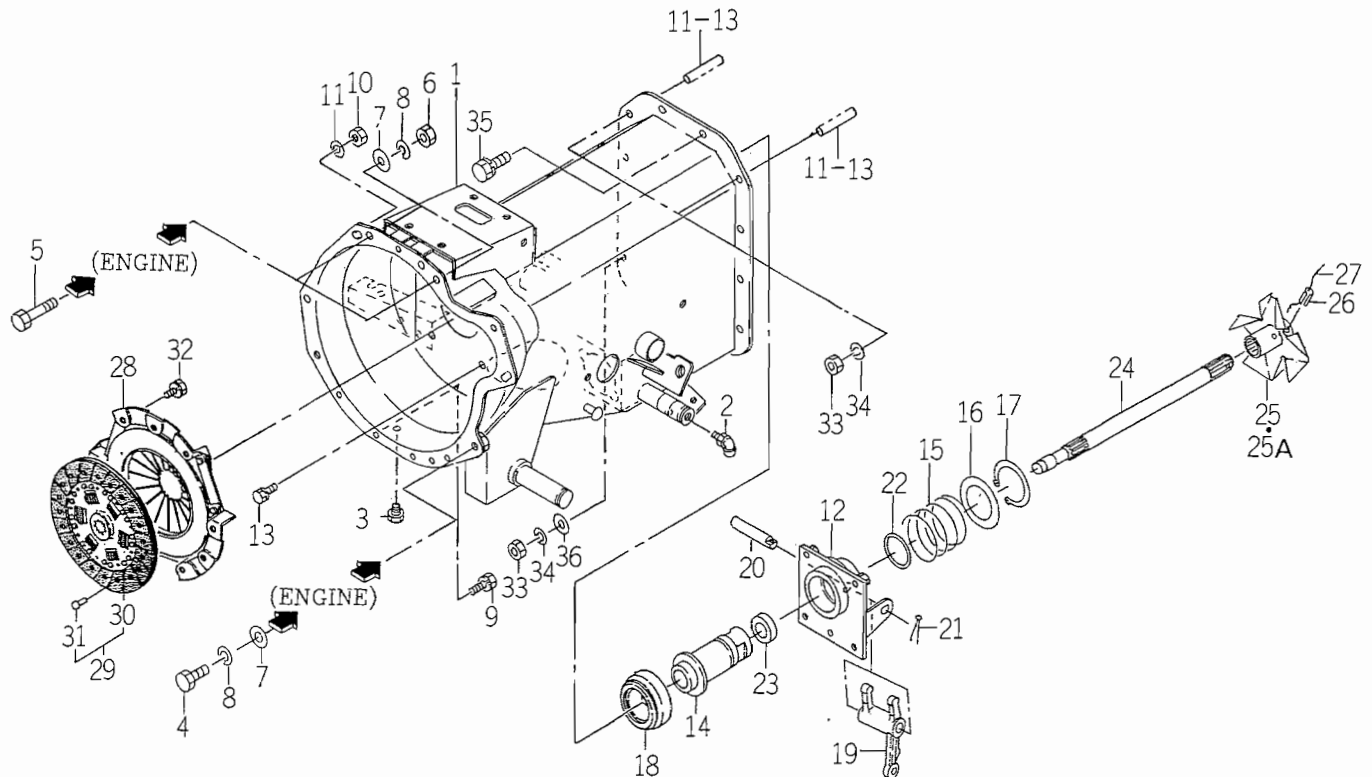
FIG. 6 BATTERY SYSTEM



1688-112

KEY	PART CODE	DESCRIPTION	QTY	TYPE OF MODEL		I T C	C O L	G R P	REMARKS
				TMG18					
1	1593 - 112 - 200 - 10	BATTERY/38B20L ASSY	1	*					
2	1427 - 621 - 002 - 10	CAP,BATTERY	1	*					
3	1593 - 112 - 002 - 50	BOLT,BATTERY	2	*					
4	1682 - 112 - 006 - 00	PLATE/BATTERY	1	*					
5	V411 - 260 - 006 - 00	WASHER / M6	2	*					
6	V301 - 260 - 006 - 00	NUT/M 6	4	*					
7	1579 - 112 - 230 - 00	CABLE,EARTH	1	*					
8	1600 - 112 - 231 - 00	BOLT/M06X32	1	*					
9	1600 - 112 - 232 - 00	NUT/M06	1	*					
10	V211 - 360 - 801 - 60	BOLT,SEMS (SP)	1	*					
11	1672 - 112 - 220 - 20	CABLE/BATTERY ASSY	1	*					
12	1560 - 666 - 005 - 00	BOLT	1	*					
13	1560 - 666 - 006 - 00	NUT	1	*					
14	1683 - 112 - 200 - 20	BASE/BATTERY COMP	1	1- -169					
14A	1683 - 112 - 200 - 30	BASE/BATTERY COMP	1	170-		1			
15	V211 - 360 - 801 - 60	BOLT,SEMS (SP)	8	*					
16	1682 - 112 - 001 - 00	INSULATOR	1	*					
17	1421 - 603 - 004 - 00	BUSH,LEVER	2	*					

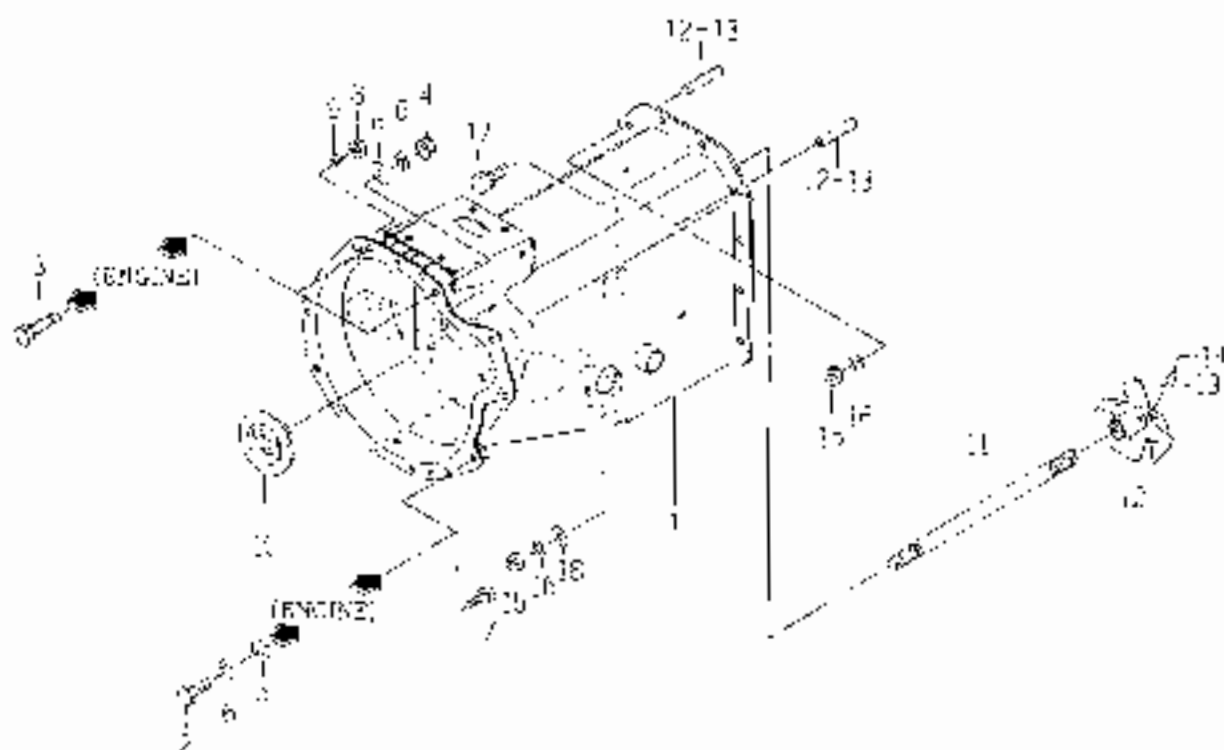
FIG. 8 CLUTCH SYSTEM (EXCEPT S TYPE)



1683-120

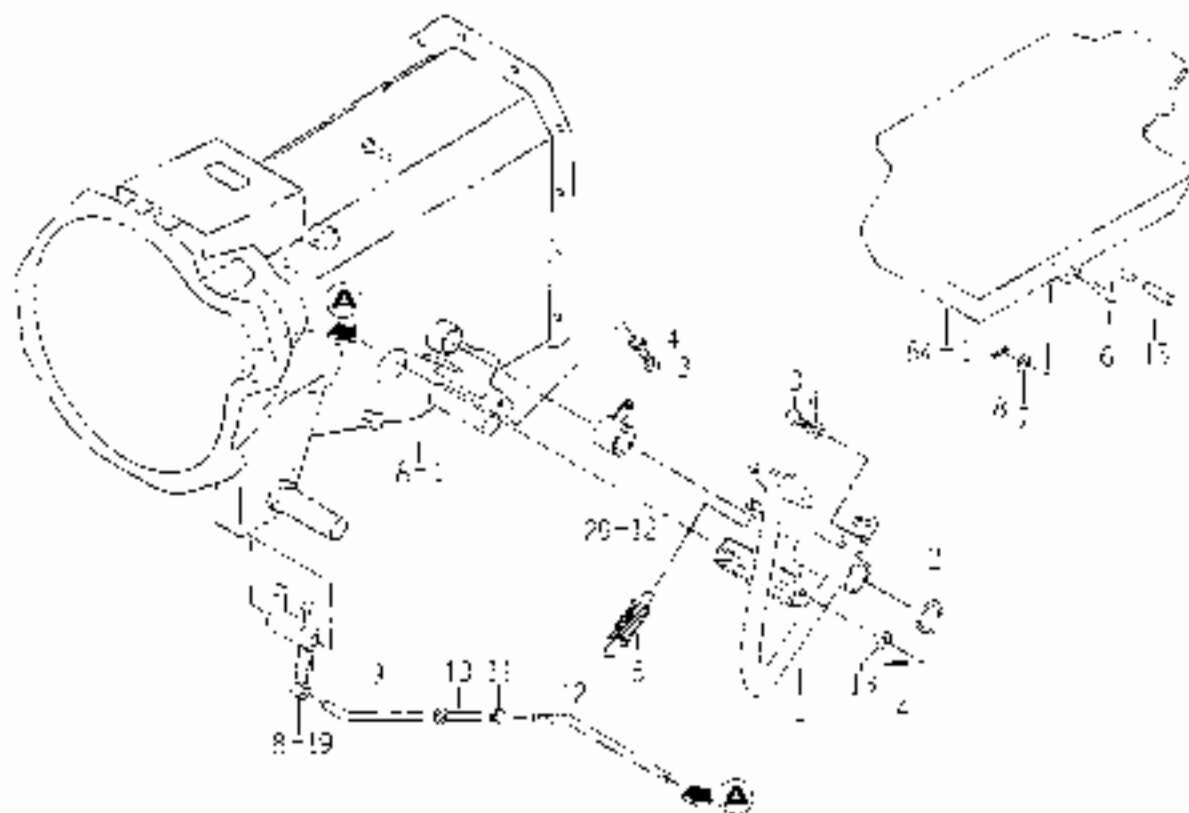
KEY	PART CODE	DESCRIPTION	QTY	TYPE OF MODEL		I T C	C O L	G R P	REMARKS
				TMG18					
1	1683 - 120 - 500 - 10	HOUSING/CLUTCH COMP	1	*					
2	V761 - 150 - 000 - 00	NIPPLE/GREASE	1	*					
3	1326 - 706 - 002 - 10	PLUG,DRAIN	1	*					
4	V201 - 361 - 202 - 50	BOLT/M12X25	2	*					
5	V201 - 361 - 204 - 00	BOLT/M12X40	2	*					
6	V304 - 460 - 012 - 00	NUT/M12	2	*					
7	V411 - 260 - 012 - 00	WASHER /M12	4	*					
8	V401 - 160 - 012 - 00	WASHER,SP/M12	4	*					
9	V211 - 260 - 801 - 60	BOLT,SEMS (S) M8X16	4	*					
10	V334 - 460 - 010 - 00	NUT/M10 7T P=1.25	2	*					
11	V401 - 160 - 010 - 00	WASHER,SP/M10	2	*					
12	1672 - 120 - 220 - 00	HOLDER/SLEEVE COMP	1	*					
13	V211 - 260 - 801 - 60	BOLT,SEMS (S) M8X16	4	*					
14	1672 - 120 - 002 - 10	SLEEVE	1	*					
15	1672 - 120 - 003 - 00	SPRING/HC64	1	*					
16	1672 - 120 - 004 - 00	WASHER/46X70X2	1	*					
17	V706 - 140 - 045 - 00	RING/SNAP	1	*					
18	1491 - 120 - 001 - 00	BEARING,CLUTCH RS	1	*					
19	1435 - 122 - 002 - 00	FORK/RELEASE	1	*					
20	1672 - 120 - 006 - 00	PIN/12X75	1	*					
21	V500 - 163 - 002 - 00	PIN,SPLIT/3 X20	1	*					
22	V721 - 103 - 104 - 50	O - RING/G45	1	*					
23	V744 - 120 - 350 - 70	SEAL,OIL/TC20357	1	*					
24	1683 - 120 - 051 - 00	SHAFT/INPUT	1	*					
25	1683 - 120 - 530 - 10	FAN/HST COMP	1	1- -115					

FIG. 9 CLUTCH SYSTEM (S TYPE)



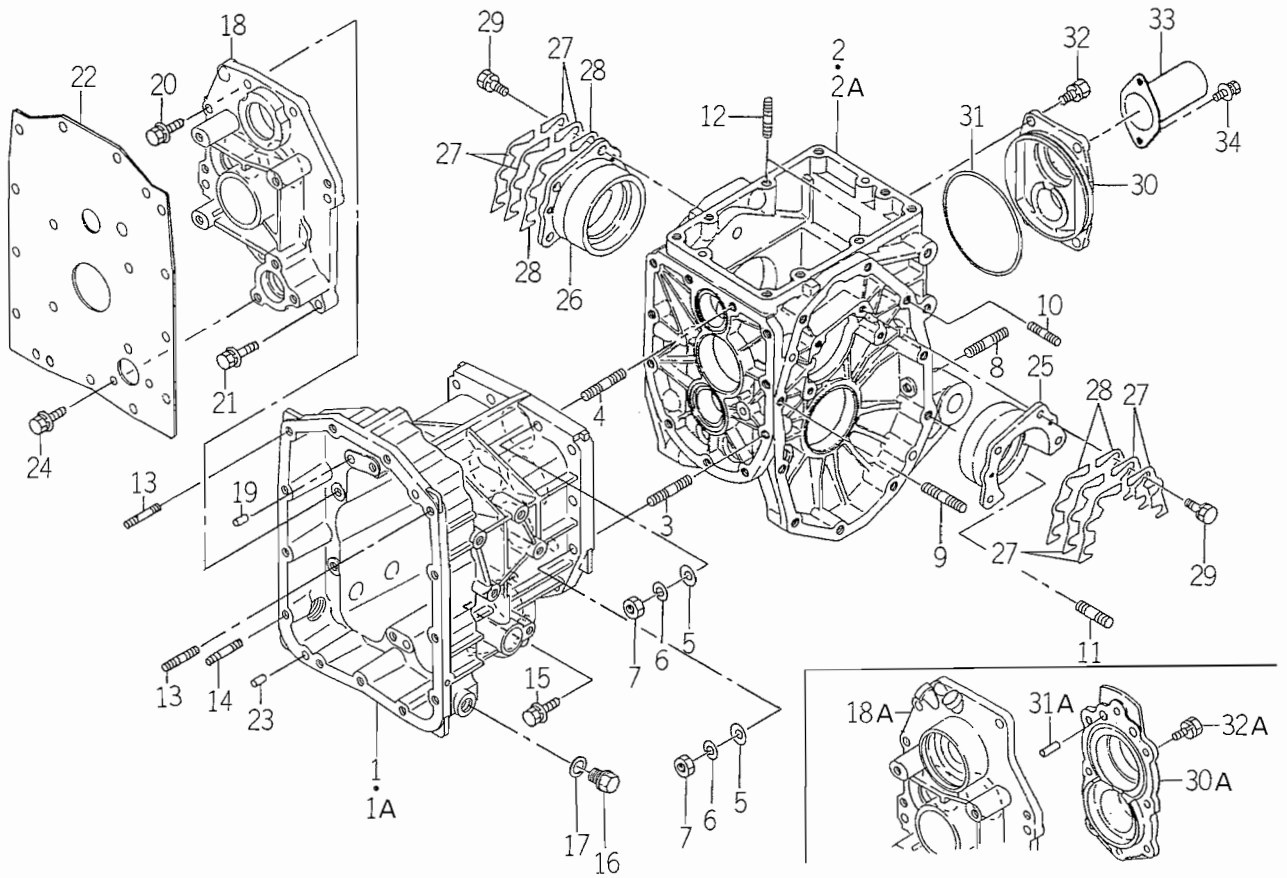
KEY	PART CODE	DESCRIPTION	QTY	TYPE OF MODEL				REMARKS
				TR318	1 2	C O L	P R G	
1	1088 - 120 - 000 - 10	HOUSING/CLUTCH COMP	1	.				
2	V201 - 361 - 002 - 50	BOIT /M12X25	2	.				
3	V201 - 351 - 004 - 00	BOLT /M12X40	2	.				
4	V304 - 450 - 012 - 00	NUT/M10	2	.				
5	V411 - 260 - 012 - 00	WASHER/M12	2	.				
6	V401 - 100 - 013 - 00	WASHER/SP/M12	4	.				
7	V211 - 260 - 801 - 60	BOIT/SPMS (S) M8X5	4	.				
8	V774 - 400 - 010 - 00	NUT/M10 / P=1.25	2	.				
9	V401 - 100 - 010 - 00	WASHER/SP/M10	2	.				
10	1688 - 120 - 050 - 00	GRUINNE /15X/3X/5	1	.				
11	1608 - 120 - 051 - 00	SHAFT INPUT	1	.				
12	1688 - 120 - 050 - 20	FAN/PS COMP	1	.				
13	V500 - 140 - 003 - 20	PN SPRING 0.352 W	2	.				
14		WIRE	2	.				
15	V304 - 450 - 010 - 00	NUT/M10	3	.				
16	V401 - 150 - 010 - 00	WASHER/SP/M10	2	.				
17	V211 - 561 - 003 - 50	BOIT/8	10	.				
18	V411 - 260 - 010 - 00	WASHER/M10	1	.				

FIG. 10 CLUTCH PEDAL SYSTEM (EXCEPT S TYPE)



KEY	PART CODE	DESCRIPTION	QTY	TYPE OF VOOFPL		I C	C L	C H P	REMARKS
				TVG13					
1	1683 - 177 - 500 - 20	PEDAL CLUTCH COMP	1	.					
2	1704 - 140 - 322 - 30	PIN,SNAP, 22 C	1	.					
3	1707 - 250 - 802 - 50	BOLT M 8X25	2	.					
4	1307 - 200 - 006 - 30	NUT/M 8	2	.					
5	1105 - 105 - 001 - 00	SPRING/4.3084	1	.					
6	1544 - 173 - 005 - 00	ROLLER	1	.					
7	1411 - 200 - 000 - 00	WASHER / M8	1	.					
8	1500 - 152 - 002 - 00	ROLLER PL / 2 X26	1	.					
9	1434 - 172 - 007 - 00	ROLLER PL / 1 X1	1	.					
10	1421 - 122 - 003 - 00	ROLLER PL	1	.					
11	1304 - 200 - 008 - 00	NUT/M 8	1	.					
12	1583 - 172 - 051 - 20	ROLLER PL / 1 X1	1	.					
13	1411 - 200 - 003 - 00	WASHER PL / M 8	2	.					
14	1500 - 162 - 001 - 50	ROLLER PL / 1 X1	2	.					
15	1070 - 122 - 002 - 30	TUBE / 035	1	.					

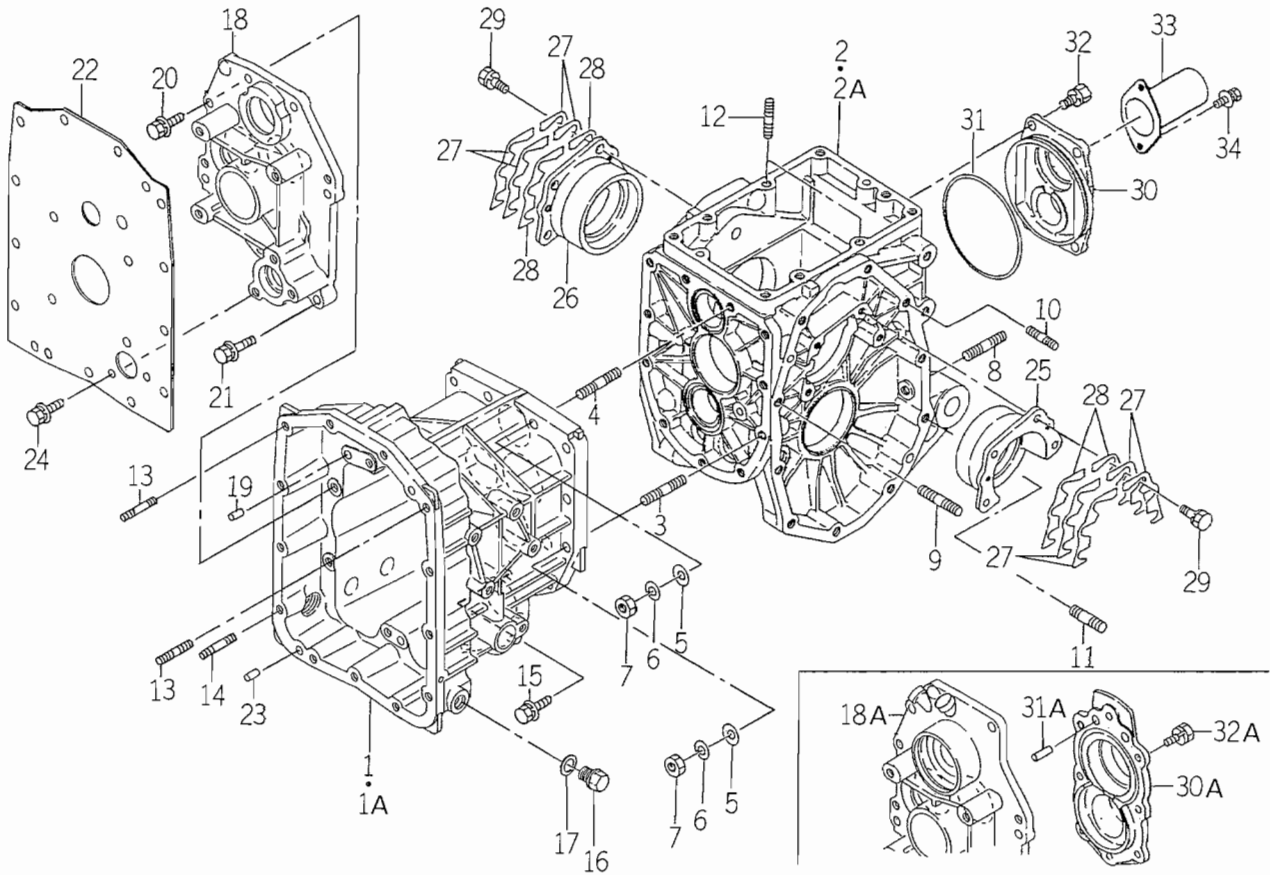
FIG. 11 TRANSMISSION CASE SYSTEM (EXCEPT S TYPE)



1683-201

KEY	PART CODE	DESCRIPTION	QTY	TYPE OF MODEL		I T C	C O L	G R P	REMARKS
				TMG18					
1	1683 - 201 - 051 - 00	CASE/TRANSMISSION/HS	1	1-					
1A	1683 - 201 - 051 - 10	CASE/TRANSMISSION/HS	1	-200			3		
2	1427 - 201 - 002 - 50	CASE/TRANSMISSION/RE	1	1-					
2A	1688 - 201 - 055 - 00	CASE/TRANSMISSION/RE	1	-200					
3	V252 - 341 - 003 - 50	BOLT/M10X35	8	*					
4	V251 - 341 - 003 - 5D	BOLT/STUD/SEAL	2	*					
5	V411 - 260 - 010 - 00	WASHER/M10	10	*					
6	V401 - 160 - 010 - 00	WASHER,SP/M10	10	*					
7	V304 - 260 - 010 - 00	NUT	10	*					
8	V251 - 261 - 202 - 5D	BOLT/STUD/SEAL	2	*					
9	V252 - 261 - 004 - 00	BOLT/STUD	2	*					
10	V252 - 261 - 005 - 50	BOLT/M10X55	2	*					
11	V252 - 341 - 204 - 50	BOLT/STUD	2	*					
12	V252 - 341 - 003 - 00	BOLT/STUD	2	*					
13	V252 - 341 - 002 - 00	BOLT/STUD	2	*					
14	V251 - 341 - 002 - 50	BOLT/STUD	1	*					
15	V211 - 661 - 005 - 00	BOLT/SP	1	*					
16	1427 - 201 - 007 - 00	PLUG,DRAIN	1	*					
17	1427 - 201 - 008 - 00	WASHER,SEAL/16	1	*					
18	1683 - 201 - 052 - 10	METAL/HST	1	1-					
18A	1683 - 201 - 052 - 20	METAL/HST	1	-200			3		
19	V523 - 101 - 002 - 40	PIN	2	*					
20	V211 - 661 - 003 - 50	BOLT/SP	6	*					
21	V211 - 661 - 004 - 00	BOLT/SP	1	*					
22	1683 - 201 - 053 - 10	PLATE/COVER	1	*					

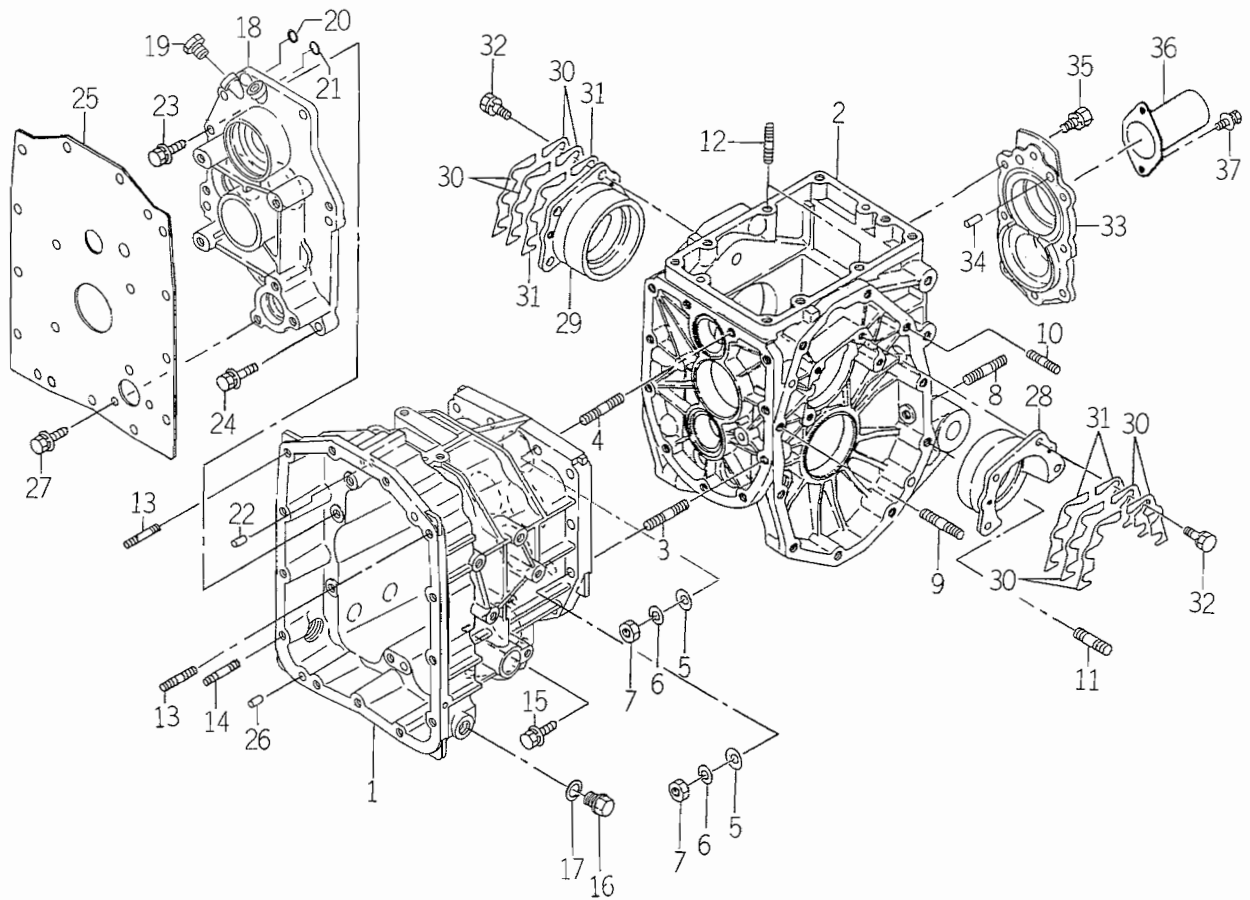
FIG. 11 TRANSMISSION CASE SYSTEM (EXCEPT S TYPE)



1683-201

KEY	PART CODE	DESCRIPTION	QTY	TYPE OF MODEL		I T C	C O L	G R P	REMARKS
				TMG18					
23	1421 - 433 - 004 - 00	PIN,KNOCK	2	*					
24	V211 - 660 - 802 - 00	BOLT/8X20	2	*					
25	1427 - 201 - 012 - 00	METAL,DIFF - CASE LH	1	*					
26	1427 - 201 - 013 - 00	METAL,DIFF - CASE RH	1	*					
27	1427 - 201 - 014 - 00	SHIM,DIFF - CASE A	8	*					
28	1427 - 201 - 015 - 00	SHIM,DIFF - CASE B	4	*					
29	V211 - 560 - 802 - 50	BOLT,SEMS/M8X25 7T	8	*					
30	1672 - 201 - 003 - 00	METAL/PTO	1	1- -200					
30A	1688 - 201 - 056 - 00	METAL/PTO	1	201-					
31	1612 - 201 - 002 - 00	SEAL/RING	1	1- -200					
31A	V523 - 101 - 002 - 40	PIN	2	201-					
32	V211 - 261 - 003 - 00	BOLT (S) M10X30	4	1- -200					
32A	V211 - 260 - 803 - 00	BOLT,SEMS	8	201-					
33	1444 - 314 - 009 - 10	CAP,PTO SHAFT	1	*					
34	V210 - 360 - 602 - 00	BOLT/SP	2	*					

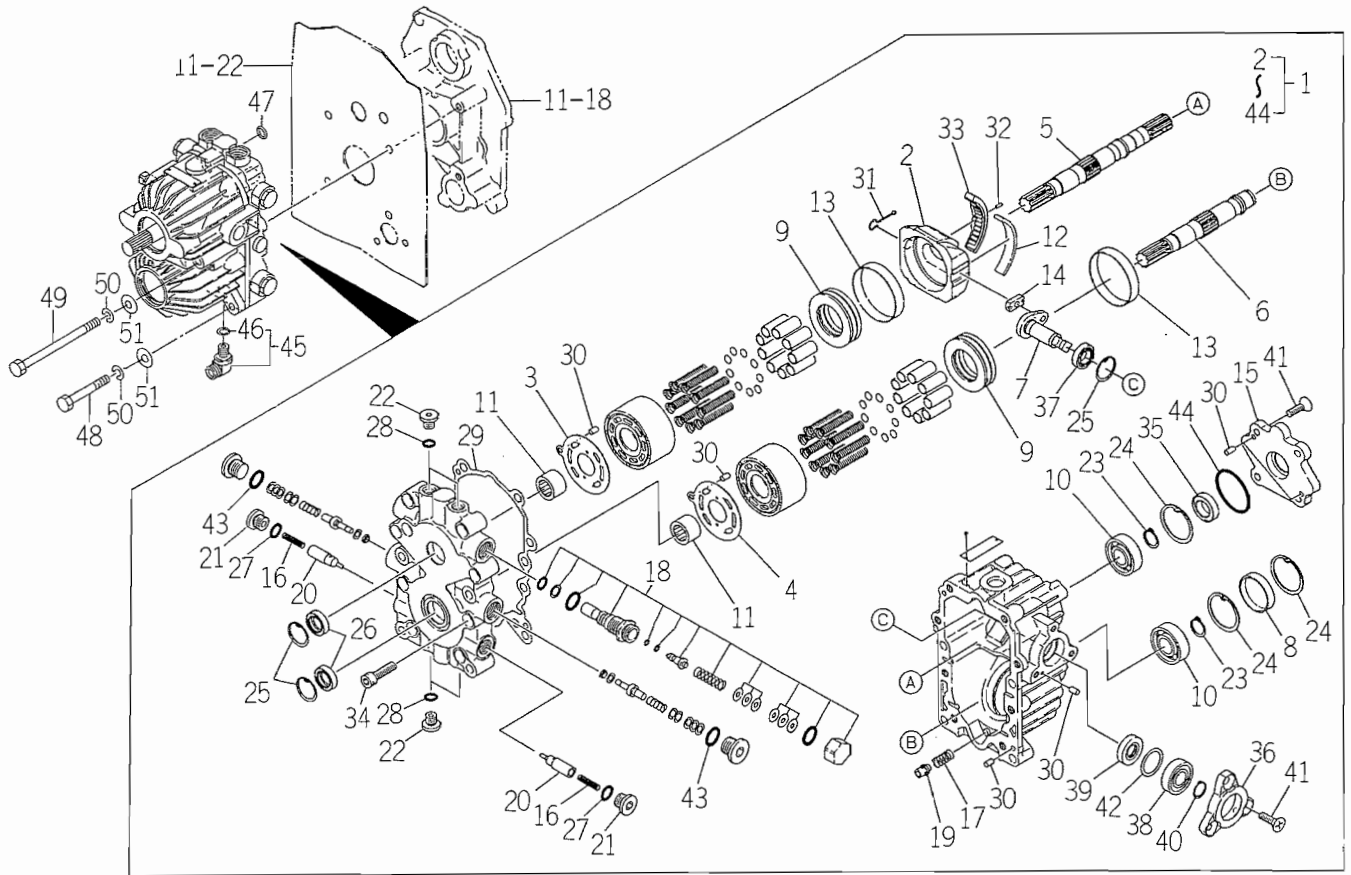
FIG. 12 TRANSMISSION CASE SYSTEM (S TYPE)



1688-201

KEY	PART CODE	DESCRIPTION	QTY	TYPE OF MODEL		I T C	C O L	G R P	REMARKS
				TMG18					
1	1688 - 201 - 051 - 10	CASE/TRANSMISSION/HS	1	*		1			
2	1688 - 201 - 055 - 00	CASE/TRANSMISSION/RE	1	*					
3	V252 - 341 - 003 - 50	BOLT/M10X35	8	*					
4	V251 - 341 - 003 - 5D	BOLT/STUD/SEAL	2	*					
5	V411 - 260 - 010 - 00	WASHER/M10	10	*					
6	V401 - 160 - 010 - 00	WASHER,SP/M10	10	*					
7	V304 - 260 - 010 - 00	NUT	10	*					
8	V251 - 261 - 202 - 5D	BOLT/STUD/SEAL	2	*					
9	V252 - 261 - 004 - 00	BOLT/STUD	2	*					
10	V252 - 261 - 005 - 50	BOLT/M10X55	2	*					
11	V252 - 341 - 204 - 50	BOLT/STUD	2	*					
12	V252 - 341 - 003 - 00	BOLT/STUD	2	*					
13	V252 - 341 - 002 - 00	BOLT/STUD	2	*					
14	V251 - 341 - 002 - 50	BOLT/STUD	1	*					
15	V211 - 661 - 005 - 00	BOLT/SP	1	*					
16	1427 - 201 - 007 - 00	PLUG,DRAIN	1	*					
17	1427 - 201 - 008 - 00	WASHER,SEAL/16	1	*					
18	1688 - 201 - 052 - 00	METAL/HST	1	*					
19	1326 - 706 - 002 - 10	PLUG,DRAIN	2	*					
20	V720 - 101 - 900 - 70	O - RING/P 7	1	*					
21	V720 - 101 - 900 - 50	O - RING/P 5	1	*					
22	V523 - 101 - 002 - 40	PIN	2	*					
23	V211 - 661 - 003 - 50	BOLT/SP	6	*					
24	V211 - 661 - 004 - 00	BOLT/SP	1	*					
25	1683 - 201 - 053 - 10	PLATE/COVER	1	*					

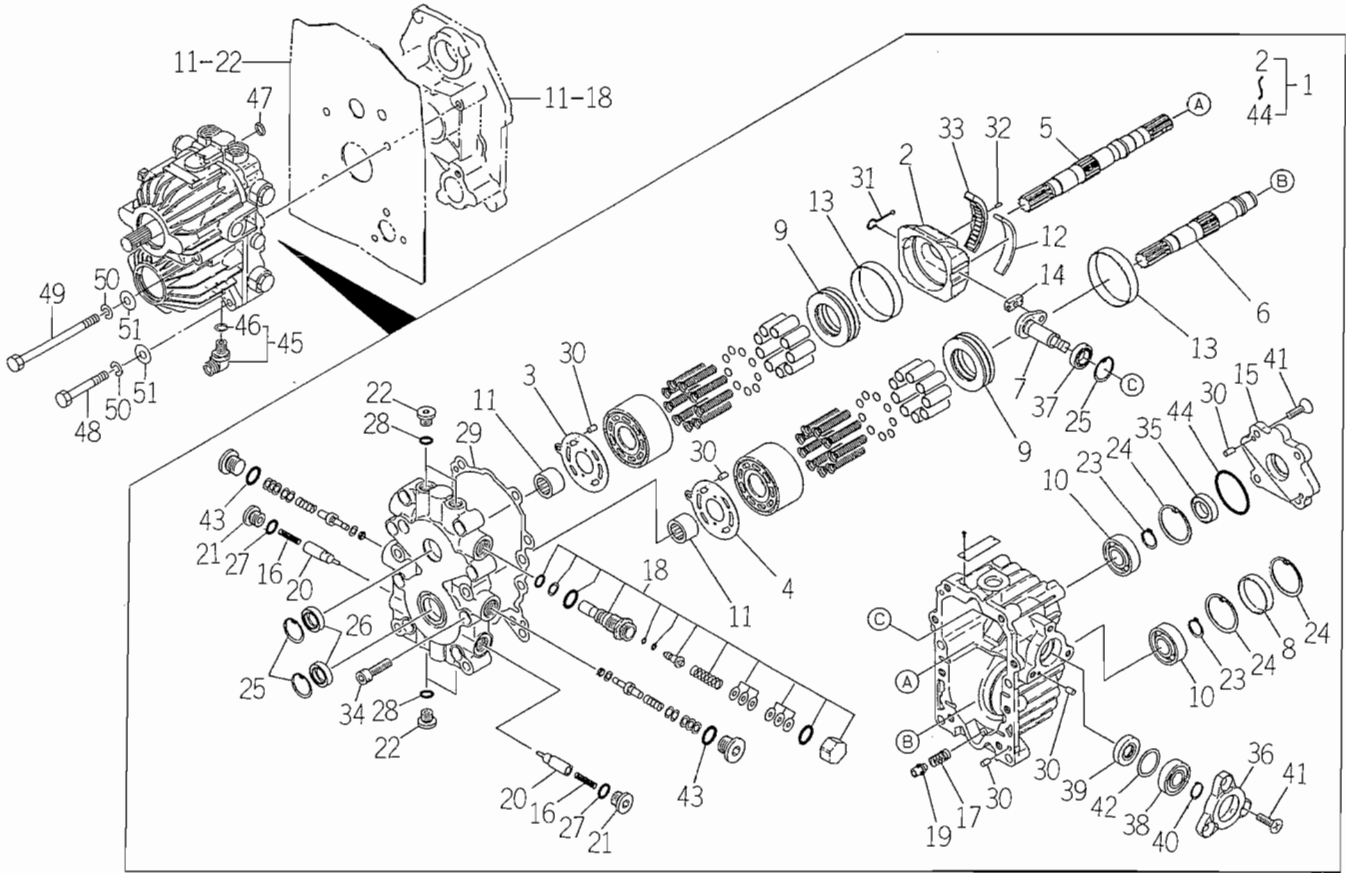
FIG. 13 HST SYSTEM



1683-202

KEY	PART CODE	DESCRIPTION	QTY	TYPE OF MODEL		I T C	C O L	G R P	REMARKS
				TMG18					
1	1683 - 202 - 500 - 00	HST ASSY	1	*					
2	1683 - 202 - 501 - 00	PLATE/SWASH	1	*					
3	1683 - 202 - 502 - 00	PLATE/VALVE	1	*					
4	1683 - 202 - 503 - 00	PLATE/VALVE	1	*					
5	1683 - 202 - 504 - 00	SHAFT/P	1	*					
6	1683 - 202 - 505 - 00	SHAFT/M	1	*					
7	1683 - 202 - 506 - 00	SHAFT/TRUNNION	1	*					
8	1683 - 202 - 507 - 00	PLUG/BOA	1	*					
9	1683 - 202 - 508 - 00	BEARING/THRUST	2	*					
10	1683 - 202 - 509 - 00	BEARING/BALL	2	*					
11	1683 - 202 - 511 - 00	BEARING/NEEDLE	2	*					
12	1683 - 202 - 512 - 00	BUSH	1	*					
13	1683 - 202 - 513 - 00	BUSH	2	*					
14	1683 - 202 - 514 - 00	METAL/SLIDE	1	*					
15	1683 - 202 - 515 - 00	COVER	1	*					
16	1683 - 202 - 516 - 00	SPRING	2	*					
17	1683 - 202 - 517 - 00	SPRING	1	*					
18	1683 - 202 - 518 - 00	VALVE/S/A	1	*					
19	1683 - 202 - 519 - 00	VALVE/S/A	1	*					
20	1683 - 202 - 521 - 00	POPPET	2	*					
21	1683 - 202 - 522 - 00	PLUG	2	*					
22	1683 - 202 - 523 - 00	PLUG	4	*					
23	V704 - 140 - 020 - 00	RING,SNAP/20C	2	*					
24	V705 - 140 - 047 - 00	RING,SNAP/47 C	3	*					
25	V705 - 140 - 030 - 00	RING,SNAP/30 C	3	*					

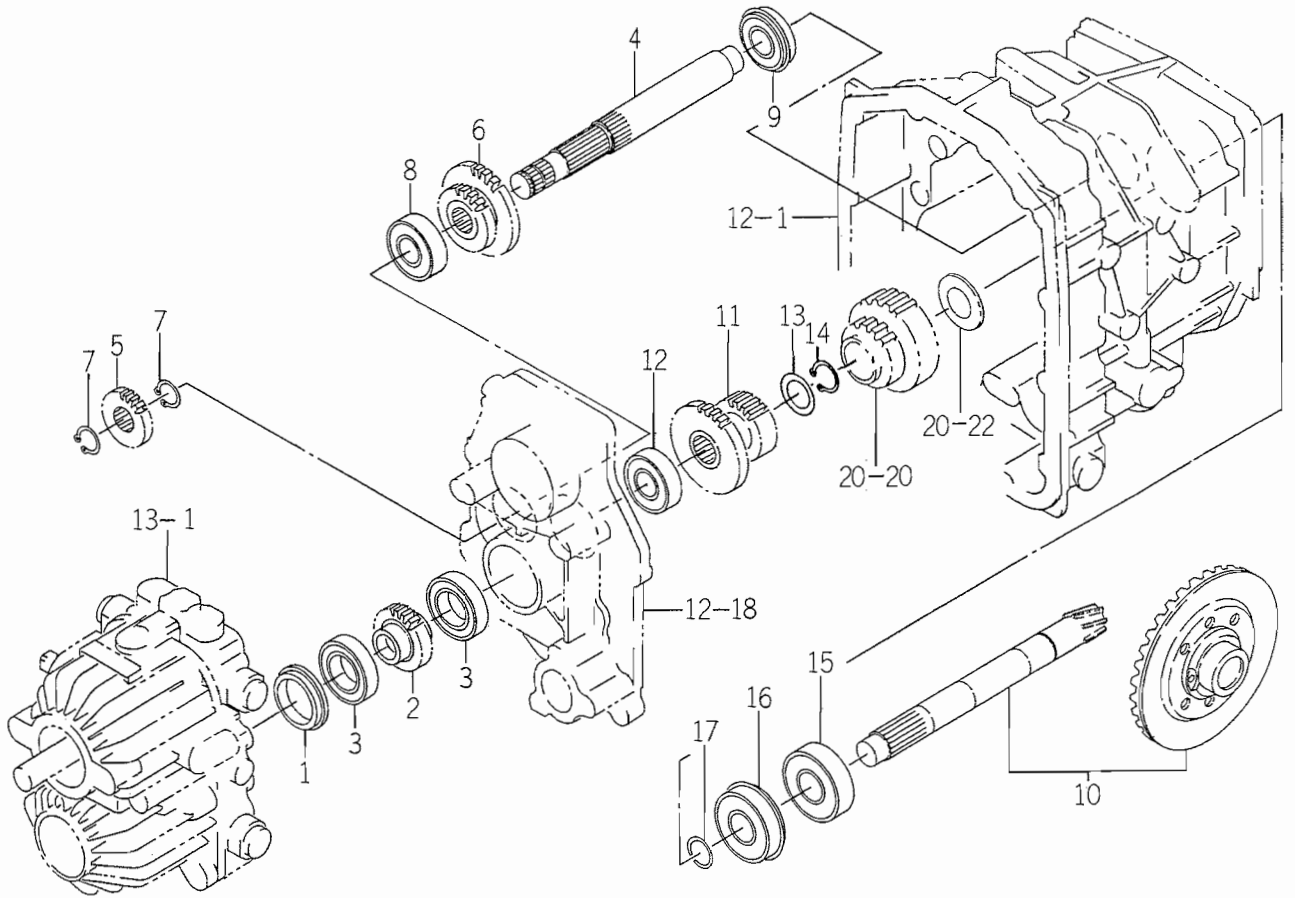
FIG. 13 HST SYSTEM



1683-202

KEY	PART CODE	DESCRIPTION	QTY	TYPE OF MODEL		I T C	C O L	G R P	REMARKS
				TMG18					
26	1683 - 202 - 524 - 00	SEAL/OIL	2	*					
27	V720 - 112 - 401 - 40	O - RING/P14	2	*					
28	V720 - 112 - 401 - 10	RING/O	4	*					
29	1683 - 202 - 525 - 00	GASKET	1	*					
30	1683 - 202 - 526 - 00	PIN	8	*					
31	1683 - 202 - 527 - 00	GUIDE ASSY	1	*					
32	1683 - 202 - 528 - 00	PIN	1	*					
33	1683 - 202 - 519 - 00	VALVE/S/A	1	*					
34	V220 - 541 - 003 - 50	SCREW/SOCKET	8	*					
35	1683 - 202 - 531 - 00	SEAL/OIL	1	*					
36	1683 - 202 - 532 - 00	COVER	1	*					
37	1683 - 202 - 533 - 00	BEARING/BALL	1	*					
38	1683 - 202 - 534 - 00	BEARING/BALL	1	*					
39	1683 - 202 - 535 - 00	SEAL/OIL	1	*					
40	V704 - 140 - 017 - 00	RING,SNAP/17 C	1	*					
41	1683 - 202 - 536 - 00	SCREW	7	*					
42	1683 - 202 - 537 - 00	WASHER	1	*					
43	V720 - 112 - 401 - 80	O - RING/P18	2	*					
44	1683 - 202 - 538 - 00	RING/O	1	*					
45	1683 - 273 - 640 - 00	ADAPTER/L/PF3/8 ASSY	1	*					
46	V720 - 112 - 401 - 40	O - RING/P14	1	*					
47	V720 - 102 - 401 - 40	O - RING/P14	1	*					
48	V201 - 361 - 007 - 50	BOLT	2	*					
49	V201 - 361 - 014 - 00	BOLT	2	*					
50	V401 - 160 - 010 - 00	WASHER,SP/M10	4	*					

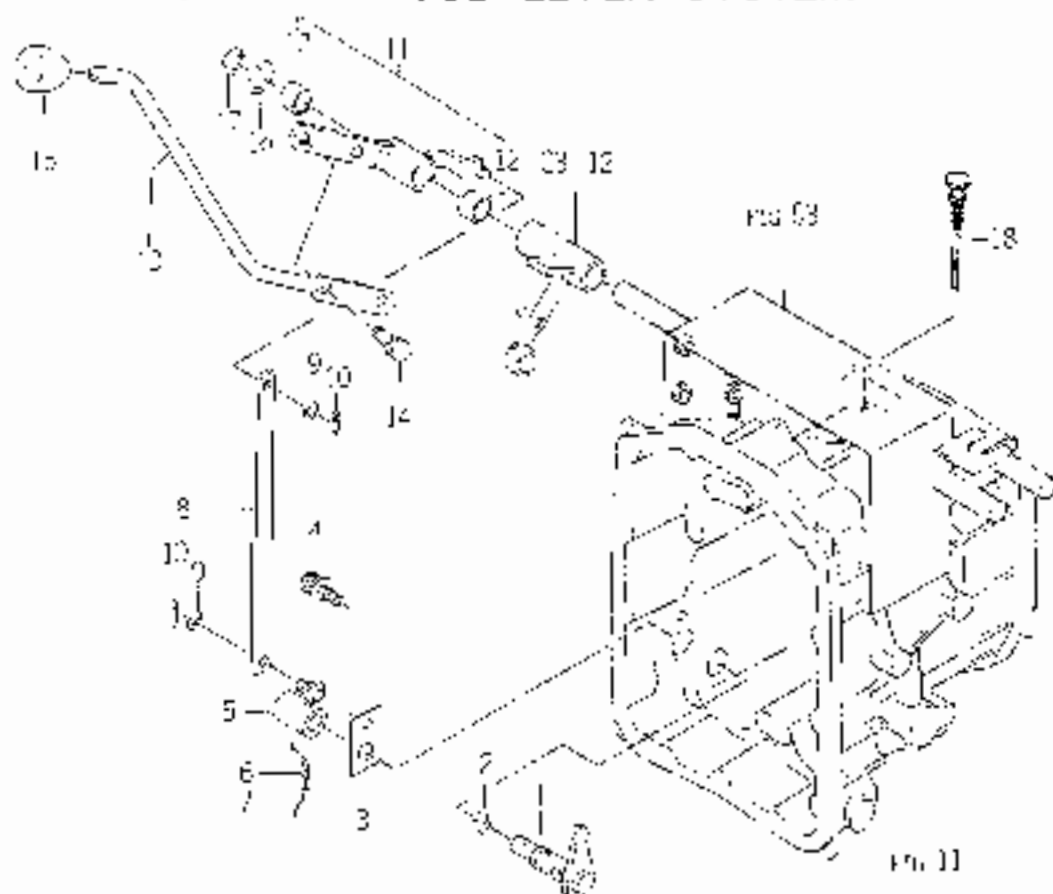
FIG. 15 DRIVE GEAR SYSTEM (S TYPE)



1688-203

KEY	PART CODE	DESCRIPTION	QTY	TYPE OF MODEL		I T C	C O L	G R P	REMARKS
				TMG18					
1	1683 - 202 - 051 - 00	COLLAR/41X55X10	1	*					
2	1683 - 203 - 051 - 00	GEAR/SPUR/19	1	*					
3	V600 - 111 - 600 - 60	BEARING,RB	2	*					
4	1683 - 203 - 052 - 00	SHAFT/SUB	1	*					
5	1683 - 203 - 053 - 00	GEAR/SPUR/17	1	*					
6	1683 - 203 - 054 - 00	GEAR/SPUR/19 - 29	1	*					
7	V704 - 140 - 020 - 00	RING,SNAP/20C	2	*					
8	V600 - 110 - 630 - 40	BEARING,RB/6304	1	*					
9	V607 - 110 - 620 - 40	BEARING,RB/6204NR	1	*					
10	1688 - 203 - 500 - 00	PINION/BEVEL/07 SET	1	*					
11	1688 - 203 - 055 - 00	GEAR/SPUR/19 - 29	1	*					
12	V600 - 110 - 630 - 40	BEARING,RB/6304	1	*					
13	1593 - 203 - 058 - 20	COLLAR/25X35X02	1	*					
14	V704 - 140 - 025 - 00	RING,SNAP/25 C	1	*					
15	1594 - 218 - 001 - 00	BEARING/BALL 6305SH2	1	*					
16	1491 - 203 - 006 - 10	BEARING	1	*					
17	1427 - 203 - 002 - 00	RING,SNAP/25	1	*					

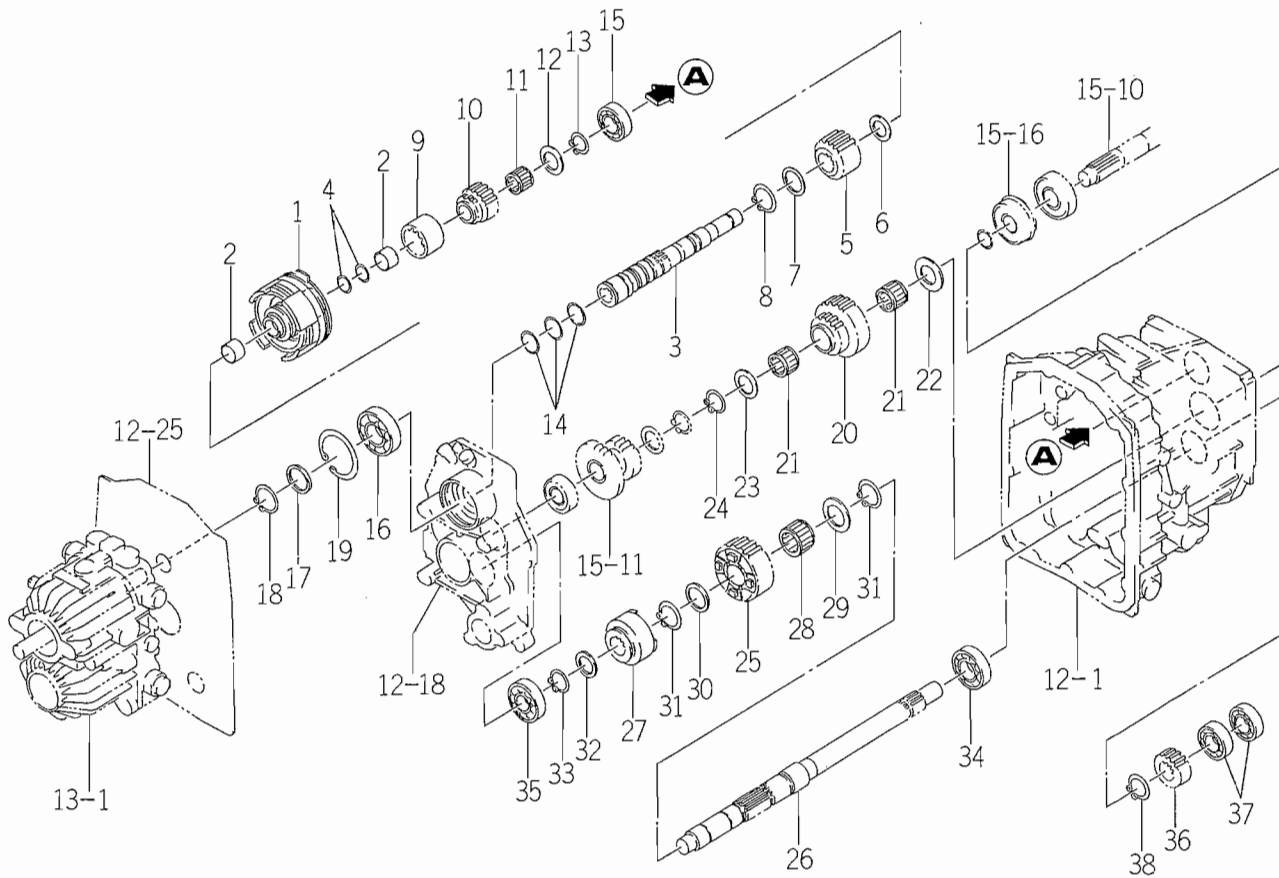
FIG. 17 SUB LEVER SYSTEM



Rev. A

KEY	PART CODE	DESCRIPTION	QTY	TYPE OF MODIF			REMARKS
				W	C	D	
	1093 - 208 - 500 - 00	FIN/CH-1	1				
1	V120 - 102 - 401 - 40	C-RIMS #14	2				
2	V420 - 210 - 208 - 00	PLATE 1/2x3x1/2	1				
3	V211 - 300 - 001 - 00	ROTTSEYS (SP)	1				
4	V563 - 208 - 512 - 00	ARM/SHH/SHR COND	1				
5	V080 - 140 - 502 - 50	FINISHING/S AXE W WR	1				
6	1695 - 208 - 051 - 10	PLATE 1/2x3x1/2	1				
7	V411 - 260 - 008 - 00	WASHER/F M 8	2				
8	V500 - 180 - 000 - 00	PLATE IT/D 42"	2				
9	V063 - 208 - 510 - 00	LEVER/SUB	1				
10	3608 - 512 - 001 - 00	BUSH	2				
11	1603 - 308 - 053 - 00	LEVER/SUB	1				
12	V211 - 261 - 002 - 00	SPINDERS	2				
13	1544 - 218 - 003 - 00	KNOP EXPR/3	1				
14	2144 - 410 - 022 - 00	WASHER/F 1/4x3/8	1				
15	V703 - 140 - 018 - 00	RING SNAP 1/4"	1				
16	2130 - 208 - 034 - 00	LEVER GAUGE	1				

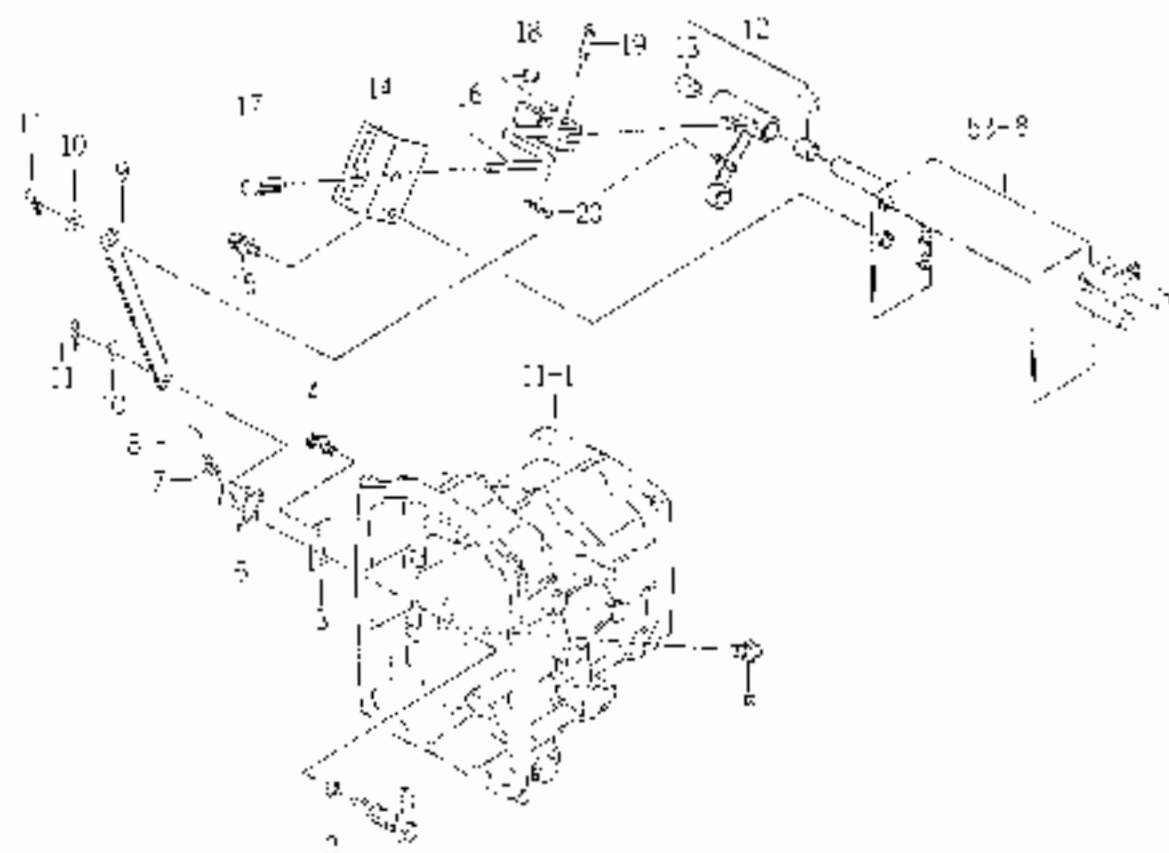
FIG. 20 PTO GEAR SYSTEM (S TYPE)



1688-211A

KEY	PART CODE	DESCRIPTION	QTY	TYPE OF MODEL		I T C	C O L	G R P	REMARKS
				TMG18					
1	1688 - 211 - 500 - 00	CLUTCH/PTO ASSY	1	*					FIG 080
2	1688 - 211 - 058 - 00	BUSH/22X25X15	2	*					
3	1688 - 211 - 510 - 10	SHAFT/PTO COMP	1	*		1			
4	1688 - 211 - 057 - 00	RING/22	2	*					
5	1688 - 211 - 051 - 00	GEAR/SPUR/33	1	*					
6	1480 - 207 - 012 - 00	COLLAR 23X34X2	1	*					
7	1544 - 322 - 002 - 00	WASHER/30X40X2	1	*					
8	V704 - 140 - 030 - 00	RING,SNAP/30 C	1	*					
9	1688 - 211 - 053 - 00	COUPLING/37X50X35	1	*					
10	1688 - 211 - 052 - 00	GEAR/SPUR/18	1	*					
11	V654 - 420 - 262 - 40	BEARING,NR/KT20264	1	*					
12	3656 - 107 - 004 - 00	WASHER/21X38X02	1	*					
13	V704 - 140 - 020 - 00	RING,SNAP/20C	1	*					
14	1650 - 203 - 008 - 00	RING/30	3	*					
15	V600 - 110 - 620 - 40	BEARING,RB/6204	1	*					
16	V600 - 110 - 620 - 60	BEARING,RB/6206	1	*					
17	1544 - 322 - 002 - 00	WASHER/30X40X2	1	*					
18	V704 - 140 - 030 - 00	RING,SNAP/30 C	1	*					
19	V707 - 140 - 062 - 00	RING/SNAP	1	*					
20	1688 - 211 - 054 - 00	GEAR/SPUR/31 - 20	1	*					
21	V654 - 425 - 322 - 40	BEARING KT253224	2	*					
22	1435 - 203 - 001 - 00	COLLAR/25X46X3	1	*					
23	3650 - 106 - 002 - 00	WASHER/25X42X2	1	*					
24	V704 - 140 - 025 - 00	RING,SNAP/25 C	1	*					
25	1688 - 211 - 055 - 00	GEAR/SPUR/30	1	*					

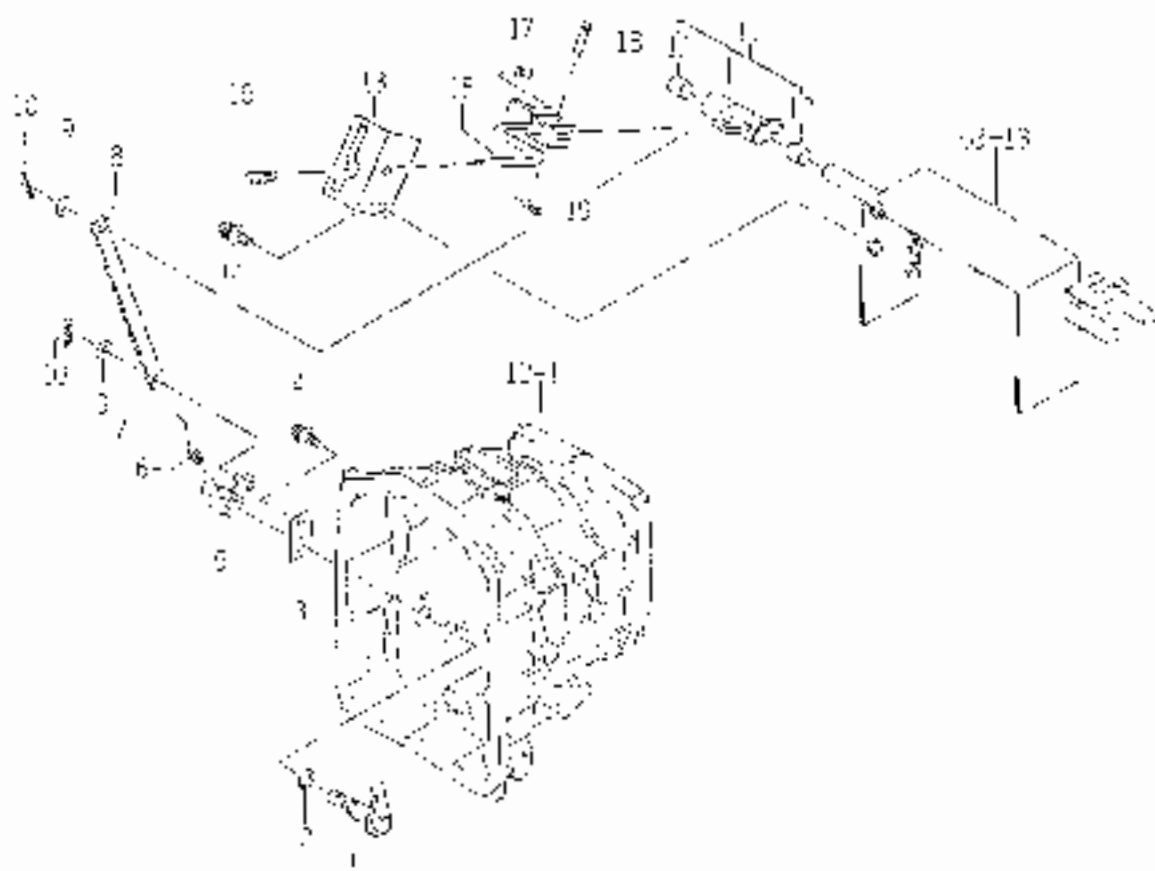
FIG. 23 PTO LEVER SYSTEM (EXCEPT S TYPE)



4-7728

KEY	PART CODE	DESCRIPTION	QTY	TYPE OF NCDEL		I T C	C O D	P R G	REMARKS
				TVS1s					
1	1600 - 200 - 500 - 00	ARM/SHIFT COMP	1						
2	V720 - 102 - 401 - 40	Ø PIN/PL 1/8 X 20	2						
3	1820 - 255 - 206 - 10	PLATE 1/16X214	1						
4	V211 - 300 - 801 - 50	BUSH 1/8X1/2X20	1						
5	V204 - 261 - 207 - 00	BUSH 1/8X1/2X20	1						
6	1683 - 209 - 520 - 00	ARM/SHIFT COMP	1						
7	V500 - 140 - 802 - 50	SPRING 1/8 X 25 1/4	1						
8		WTC	1						
9	1683 - 216 - 052 - 00	PLATE 1/16X214	1						
10	V111 - 260 - 008 - 00	WASHER PL 1/8	2						
11	V500 - 165 - 002 - 00	PIN, PL 1/8 X 20	2						
12	1884 - 278 - 520 - 00	ARM/PTO ASSY	1						
13	3550 - 017 - 001 - 00	BUSH	2						
14	1057 - 216 - 051 - 10	GUIDE/SHANGS	1						
15	V211 - 300 - 802 - 00	BUSH 1/8X1/2X20	2						
16	1683 - 216 - 500 - 00	LEVER/PTO COMP	1						
17	3640 - 585 - 001 - 00	SLIP/YELLOW	1						
18	2140 - 601 - 031 - 00	SPRING 1/8X24	1						
19	2144 - 515 - 001 - 00	PIB/GRYAT	1						
20	V500 - 167 - 501 - 00	PIN, PL 1/8 X 20	1						

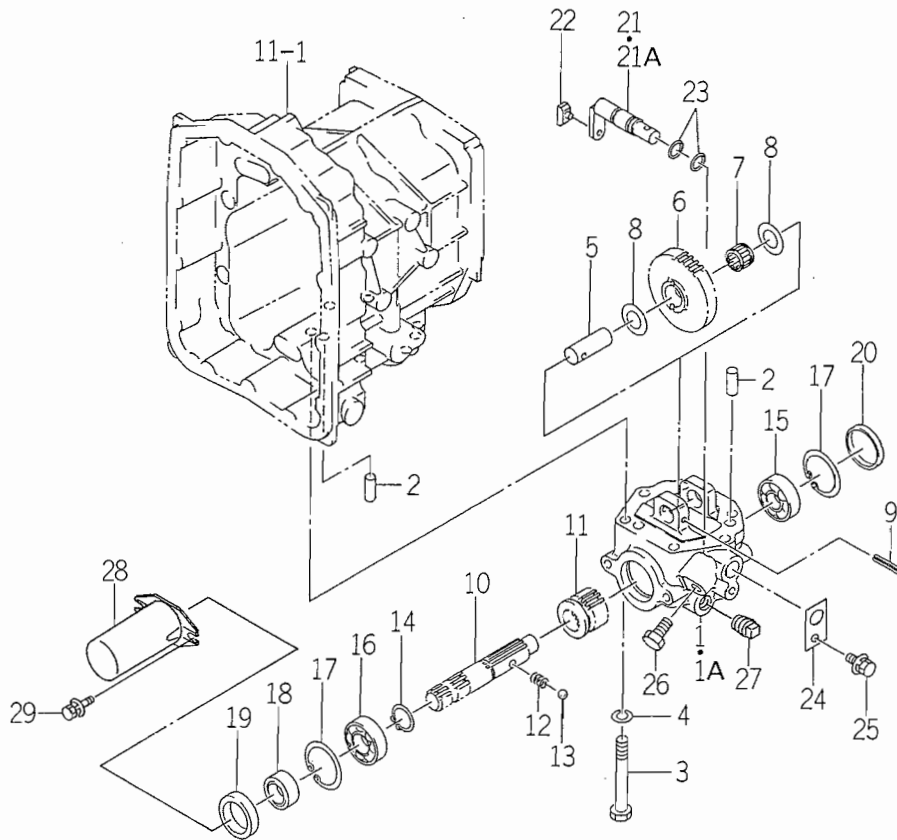
FIG. 24 PTO LEVER SYSTEM (S TYPE)



100-20

KEY	PART CODE	DESCRIPTION	QTY	TYPE OF WJEL.	I	C	G	R	REMARKS
				TYPE					
1	1685 - 205 - 000 - 00	HA/SIST COMP							
2	1730 - 102 - 401 - 40	G. RING/214	2						
3	1670 - 250 - 208 - 00	PLATE/30X50							
4	1211 - 050 - 001 - 00	RO. SPRING (CP)	1						
5	1083 - 265 - 510 - 00	ARM/24-11/MD COMP	1						
6	1580 - 140 - 802 - 50	HA/SFRNC/6 X25 W.	1						
7		WAL	1						
8	1588 - 215 - 051 - 00	PLATE/1 PR273	1						
9	1411 - 260 - 006 - 00	WASHER/1 M 8	2						
10	1630 - 103 - 002 - 00	PLATE/13 X20	2						
11	1688 - 216 - 000 - 00	ARM/PIO ASSY							
12	3668 - 612 - 001 - 00	BUSH	2						
13	1603 - 216 - 051 - 10	SCREW CHARGE							
14	1211 - 360 - 502 - 00	BOLT STD PRX20	2						
15	1500 - 218 - 500 - 00	LEVER/PTO COMP	1						
16	3040 - 583 - 001 - 00	CLIP YELLOW	1						
17	0149 - 601 - 031 - 00	SPRING 1-0024	1						
18	2144 - 519 - 007 - 00	PN 0-XXI	1						
19	1500 - 162 - 502 - 00	TRANSDIT/2 5X20	1						

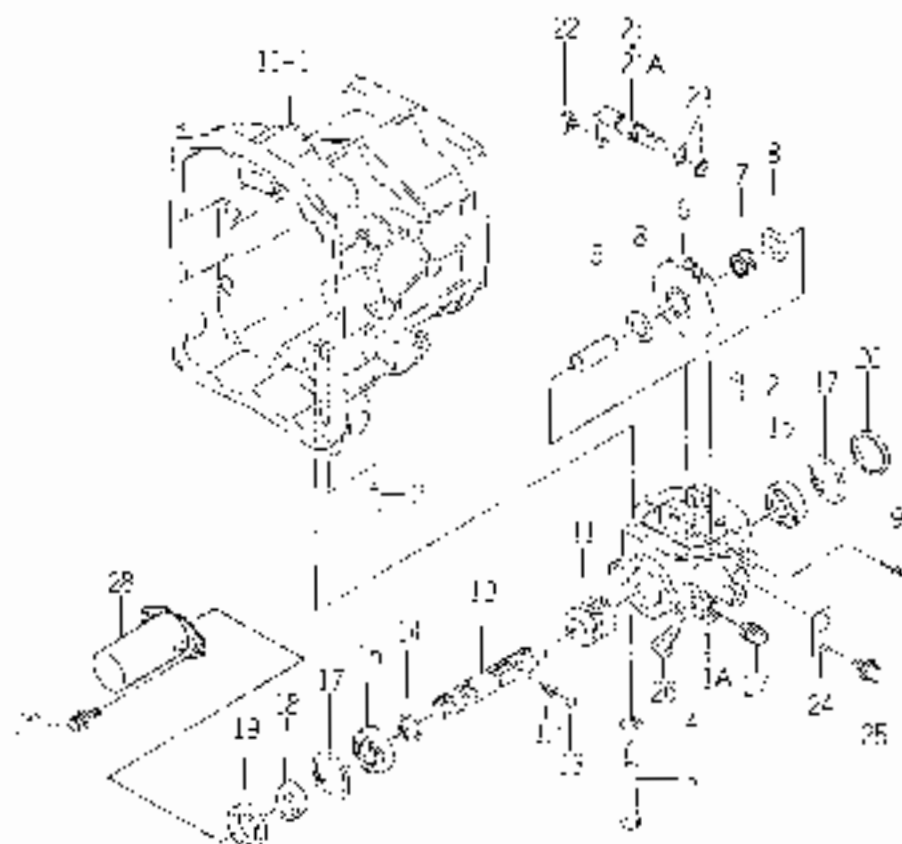
FIG. 25 MID PTO SYSTEM



1683-255

KEY	PART CODE	DESCRIPTION	QTY	TYPE OF MODEL		I T C	C O L	G R P	REMARKS
				TMG18					
1	1682 - 255 - 201 - 00	CASE/PTO/MID	1		1- -209 210-				
1A	1682 - 255 - 201 - 10	CASE/PTO/MID	1			1			
2	V523 - 101 - 002 - 40	PIN	2	*					
3	V201 - 361 - 009 - 00	BOLT/M10X90	6	*					
4	V401 - 160 - 010 - 00	WASHER,SP/M10	6	*					
5	1682 - 255 - 203 - 00	PIN/20X51	1	*					
6	1682 - 255 - 202 - 00	GEAR/SPUR/34	1	*					
7	1682 - 255 - 002 - 10	BEARING/NEEDLE	1	*		1			
8	1480 - 212 - 003 - 00	COLLAR/21X36X1	2	*					
9	V580 - 140 - 604 - 00	PIN,SPRING/6 X40 W	1	*					
10	1682 - 255 - 204 - 00	SHAFT/PTO/MID	1	*					
11	1682 - 255 - 205 - 10	GEAR/SPUR/15	1	*					
12	1302 - 225 - 003 - 00	SPRING,SHIFTER	1	*					
13	V682 - 200 - 001 - 00	BALL	1	*					
14	V704 - 140 - 025 - 00	RING,SNAP/25 C	1	*					
15	V600 - 110 - 630 - 40	BEARING,RB/6304	1	*					
16	V600 - 110 - 620 - 50	BEARING,RB/6205	1	*					
17	V705 - 140 - 052 - 00	RING,SNAP/52 C	2	*					
18	1427 - 212 - 003 - 20	SLEEVE	1	*					
19	V744 - 135 - 520 - 80	SEAL,OIL/TC35528	1	*					
20	3625 - 701 - 003 - 00	CAP,BLANK/52	1	*					
21	1682 - 255 - 210 - 30	ARM/SHIFT/MID COMP	1		1- -209 210-				
21A	1682 - 255 - 210 - 40	ARM/SHIFT/MID COMP	1			1			
22	2703 - 101 - 020 - 00	COLLAR,SHIFTER	1	*					
23	V720 - 102 - 401 - 40	O - RING/P14	2	*					

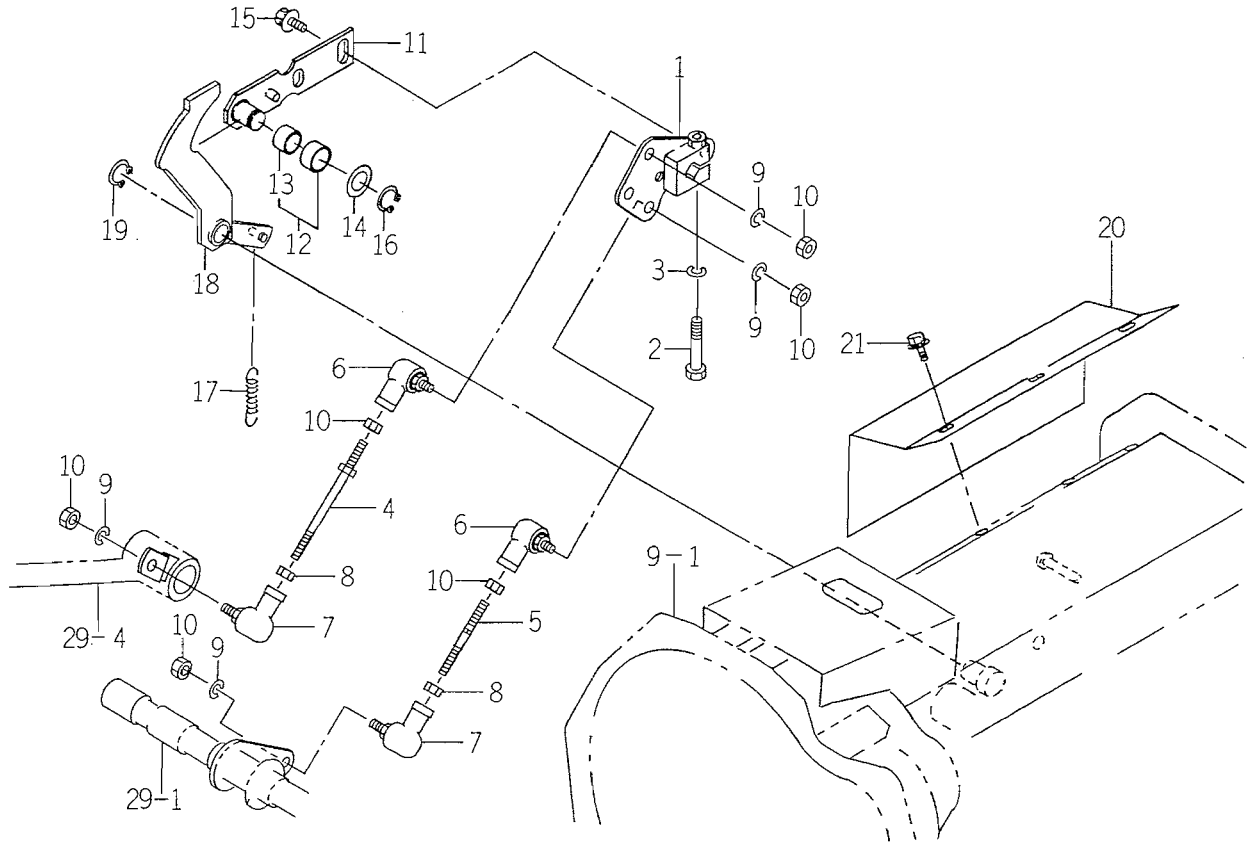
FIG. 25 MID PTO SYSTEM



25 24

KEY	PART CODE	DESCRIPTION	TYPE OF MODEL		I T C	C O I	G R I	REMARKS
			BY	TR12				
24	1820 - 255 - 106 - 00	PLATE/W/SCREWS	1					
25	V211 - 060 - 301 - 00	BOLT/SEMS. 3/8"	1					
26	V203 - 261 - 202 - 00	BOLT/W/2X20	1					
27	V761 - 100 - 300 - 09	PLUG/SCREW/SEAL	1					
28	1444 - 314 - 009 - 10	CAP PTO SHAFT	1					
29	V210 - 300 - 002 - 00	BOLT/SP	2					

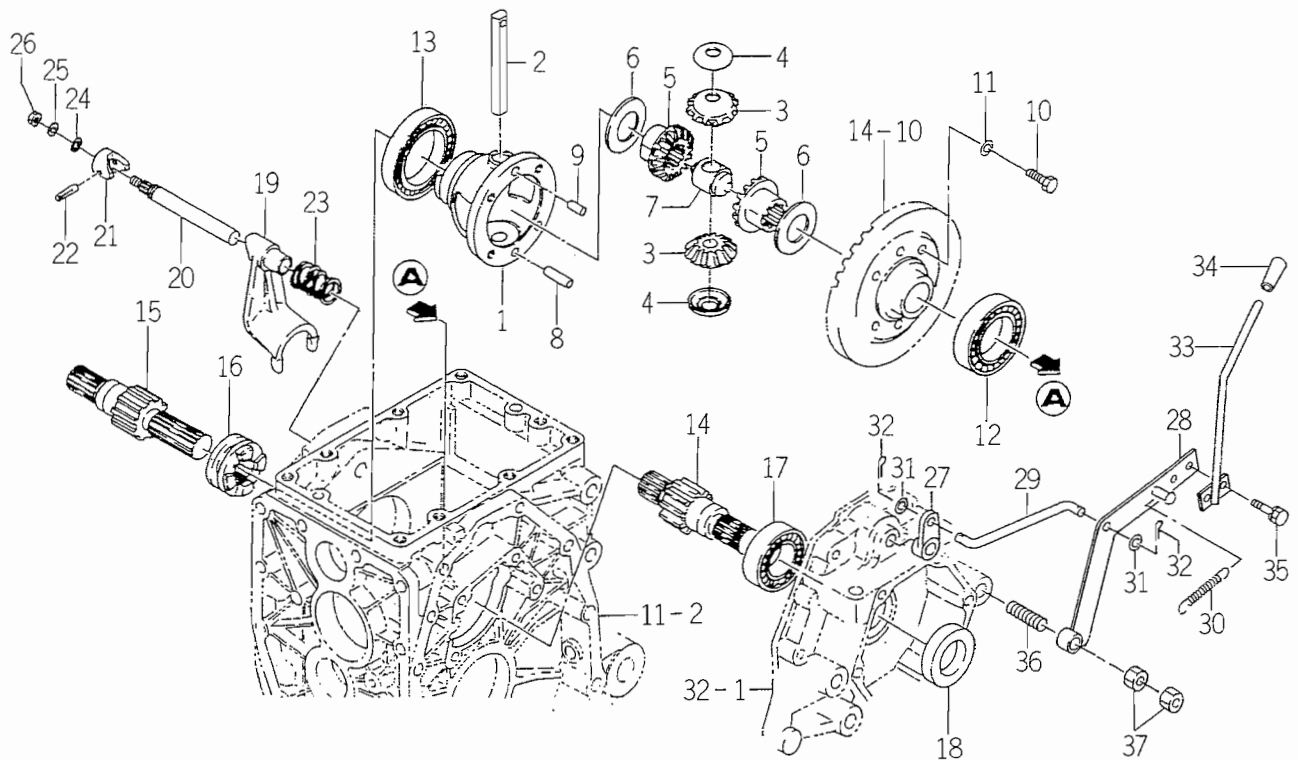
FIG. 28 LINK SYSTEM (S TYPE)



1588-271A

KEY	PART CODE	DESCRIPTION	QTY	TYPE OF MODEL		I T C	C O L	G R P	REMARKS
				TMG18					
1	1688 - 271 - 510 - 00	PIVOT/TRUNNION COMP	1	*					
2	V201 - 360 - 804 - 50	BOLT/M8X45/7T	1	*					
3	V401 - 160 - 008 - 00	WASHER,SP/M 8	1	*					
4	1683 - 271 - 560 - 00	ROD/M08X110 COMP	1	*					
5	1602 - 242 - 551 - 10	ROD/65	1	*					
6	1560 - 695 - 021 - 00	JOINT BALL M08RH	2	*					
7	1560 - 695 - 022 - 00	JOINT BALL M08LH	2	*					
8	1560 - 132 - 007 - 30	NUT/M8	2	*					
9	V401 - 160 - 008 - 00	WASHER,SP/M 8	4	*					
10	V304 - 260 - 008 - 00	NUT/M 8	6	*					
11	1683 - 271 - 500 - 30	ARM/NEUTRAL COMP	1	*					
12	1683 - 271 - 520 - 10	COLLAR/17X21X11 ASSY	1	*					
13	3643 - 420 - 004 - 00	BUSH/15X17X10	1	*					
14	3747 - 342 - 002 - 00	WASHER	1	*					
15	V211 - 360 - 801 - 60	BOLT,SEMS (SP)	2	*					
16	V704 - 140 - 015 - 00	RING,SNAP/15 C	1	*					
17	1105 - 410 - 003 - 00	SPRING/HE067	1	*					
18	1688 - 271 - 580 - 00	ARM COMP	1	*					
19	V704 - 140 - 015 - 00	RING,SNAP/15 C	1	*					
20	1683 - 271 - 001 - 30	COVER/TRUNNION	1	*					
21	V210 - 360 - 601 - 60	BOLT (SP) /M6X16	3	*					

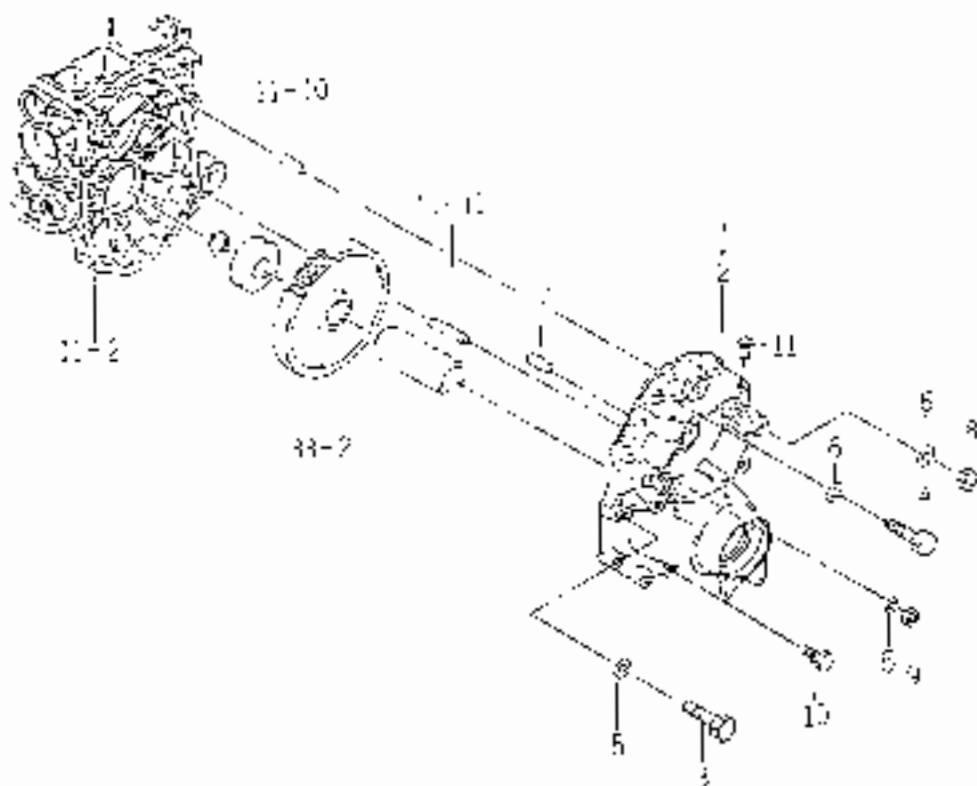
FIG. 31 DIFFERENTIAL GEAR SYSTEM



1583-301

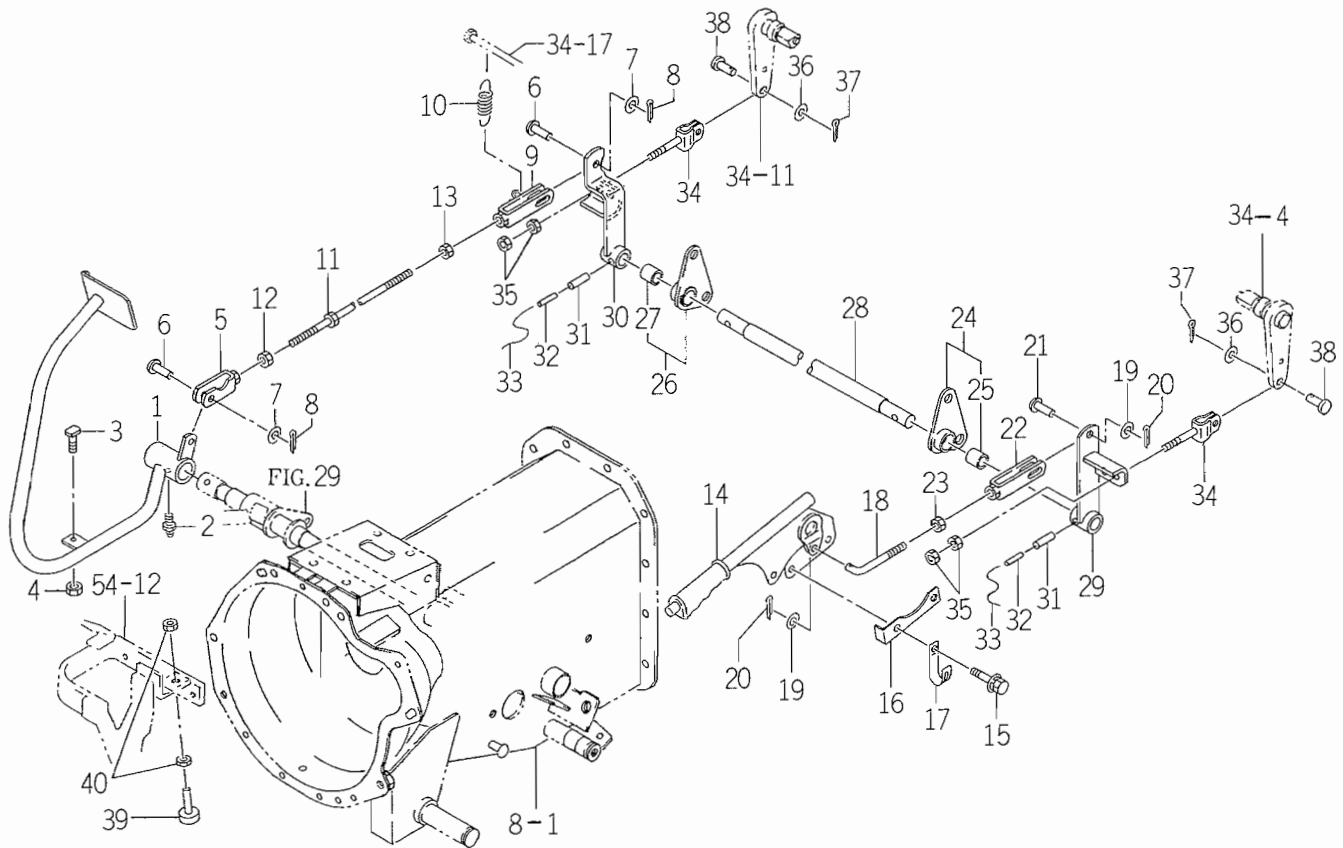
KEY	PART CODE	DESCRIPTION	QTY	TYPE OF MODEL		I T C	C O L	G R P	REMARKS
				TMG18					
1	1427 - 301 - 002 - 20	CASE,DIFF	1	*					
2	1444 - 411 - 006 - 00	SHAFT,DIFF. PINION	1	*					
3	1427 - 301 - 004 - 00	PINION,DIFF/12T	2	*					
4	1427 - 301 - 005 - 00	COLLAR,PINION THRUST	2	*					
5	1427 - 301 - 006 - 00	GEAR,DIFF - SIDE/14T	2	*					
6	1427 - 301 - 007 - 00	COLLAR,THRUST	2	*					
7	1427 - 301 - 009 - 00	HOLDER,PINION SHAFT	1	*					
8	1672 - 301 - 002 - 00	PIN	1	*					
9	V522 - 100 - 801 - 60	PIN	1	*					
10	1544 - 304 - 006 - 10	BOLT/M8X25	4	*					
11	V401 - 160 - 008 - 00	WASHER,SP/M 8	4	*					
12	V600 - 110 - 600 - 90	BEARING,RB/6009	1	*					
13	V600 - 110 - 601 - 00	BEARING,RB/6010	1	*					
14	1427 - 301 - 011 - 10	PINION,WHEEL/11.L	1	*					
15	1427 - 301 - 012 - 10	PINION,WHEEL/11.R	1	*					
16	1427 - 301 - 013 - 10	CLUTCH,DIFF - LOCK	1	*					
17	V600 - 110 - 620 - 60	BEARING,RB/6206	2	*					
18	V744 - 130 - 450 - 80	SEAL,OIL/TC30458	2	*					
19	1427 - 301 - 014 - 10	FORK/SHIFT/DIFFLOCK	1	*					
20	1427 - 301 - 015 - 00	STAY,SHIFTER	1	*					
21	1427 - 301 - 016 - 00	CAM,DIFF - LOCK	1	*					
22	V530 - 240 - 502 - 40	PIN/SLITTED	1	*					
23	1427 - 301 - 018 - 00	SPRING,PRESS/40	1	*					
24	V720 - 102 - 401 - 00	O - RING/P10A	1	*					
25	V401 - 160 - 010 - 00	WASHER,SP/M10	1	*					

FIG. 32 REAR AXLE SYSTEM



KEY	PART CODE	DESCRIPTION	QTY	TYPE OF MODIF		I T C	C O L	P I C	REMARKS
				ENG	STR				
1	1982-309-001-00	HOUSING/AXLE/REAR/LF	1	*					
2	1587-308-002-00	HOLDRING AXLE/REAR/SH	1	*					
3	V201-261-205-00	BEARING/41X50	10	*					
4	V201-201-004-00	BEARING/41X45	4	*					
5	V401-100-012-00	WASHER/32XV2	12	*					
5	V401-100-013-00	WASHER/32XV10	8	*					
7	V522-100-801-00	FIN	4	*					
8	V304-260-010-00	NUT	4	*					
9	V304-250-012-00	NUT/V2	2	*					
10	V955-201-026-00	FLANGENAN 11/4"	2	*					
11	1427-201-018-00	CAPLANK V17	2	*					

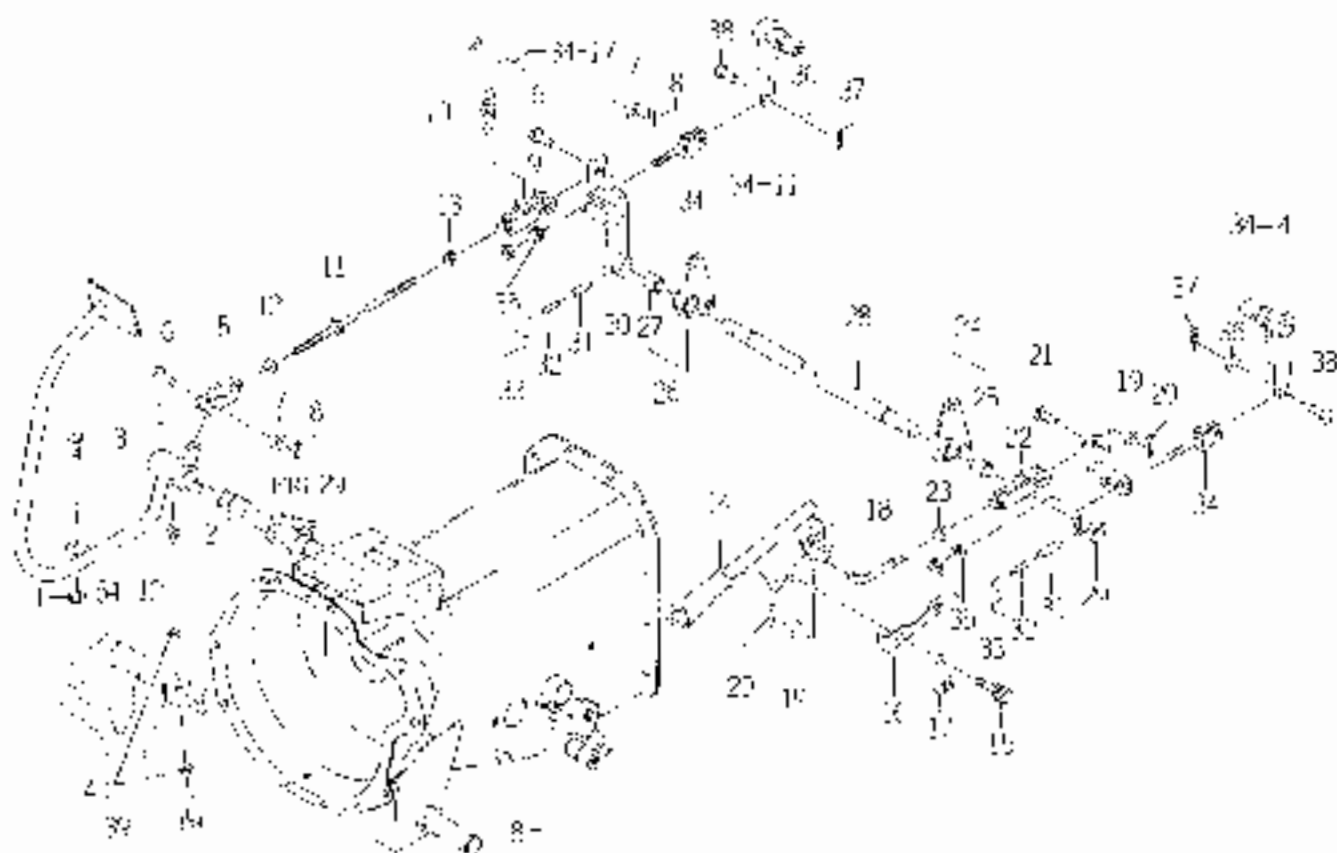
FIG. 35 BRAKE SYSTEM



1688-312

KEY	PART CODE	DESCRIPTION	QTY	TYPE OF MODEL		I T C	C O L	G R P	REMARKS
				TMG18					
1	1688 - 312 - 510 - 20	PEDAL/BRAKE COMP	1	*					
2	V763 - 150 - 000 - 00	NIPPLE,GREASE/PT1/8	1	*					
3	1688 - 312 - 001 - 00	BOLT/ADJUST	1	*					
4	V304 - 260 - 008 - 00	NUT/M 8	1	*					
5	1415 - 312 - 500 - 00	YOKE,LH	1	*					
6	1404 - 312 - 006 - 00	PIN,YOKE A	2	*					
7	V411 - 260 - 008 - 00	WASHER,PL/M 8	2	*					
8	V500 - 162 - 002 - 00	PIN,SPLIT/2 X20	2	*					
9	1683 - 312 - 580 - 00	FORK/BRAKE COMP	1	*					
10	1560 - 404 - 002 - 30	SPRING	1	*					
11	1683 - 312 - 570 - 00	ROD/BRAKE COMP	1	*					
12	1560 - 132 - 007 - 30	NUT/M8	1	*					
13	V304 - 260 - 008 - 00	NUT/M 8	1	*					
14	1682 - 312 - 260 - 00	LEVER/PARKING COMP	1	*					
15	V211 - 360 - 802 - 50	BOLT,SEMS	2	*					
16	1683 - 312 - 002 - 00	STOPPER/PARKING	1	*					
17	1425 - 621 - 004 - 00	CLAMP,HARNESS	1	*					
18	1683 - 312 - 003 - 00	ROD/80	1	*					
19	V411 - 260 - 008 - 00	WASHER,PL/M 8	2	*					
20	V500 - 162 - 002 - 00	PIN,SPLIT/2 X20	2	*					
21	1404 - 312 - 006 - 00	PIN,YOKE A	1	*					
22	1510 - 328 - 260 - 00	YOKE COMP	1	*					
23	V304 - 260 - 008 - 00	NUT/M 8	1	*					
24	1682 - 312 - 300 - 00	HOLDER/SHAFT/LH ASSY	1	*					
25	3668 - 612 - 001 - 00	BUSH	1	*					

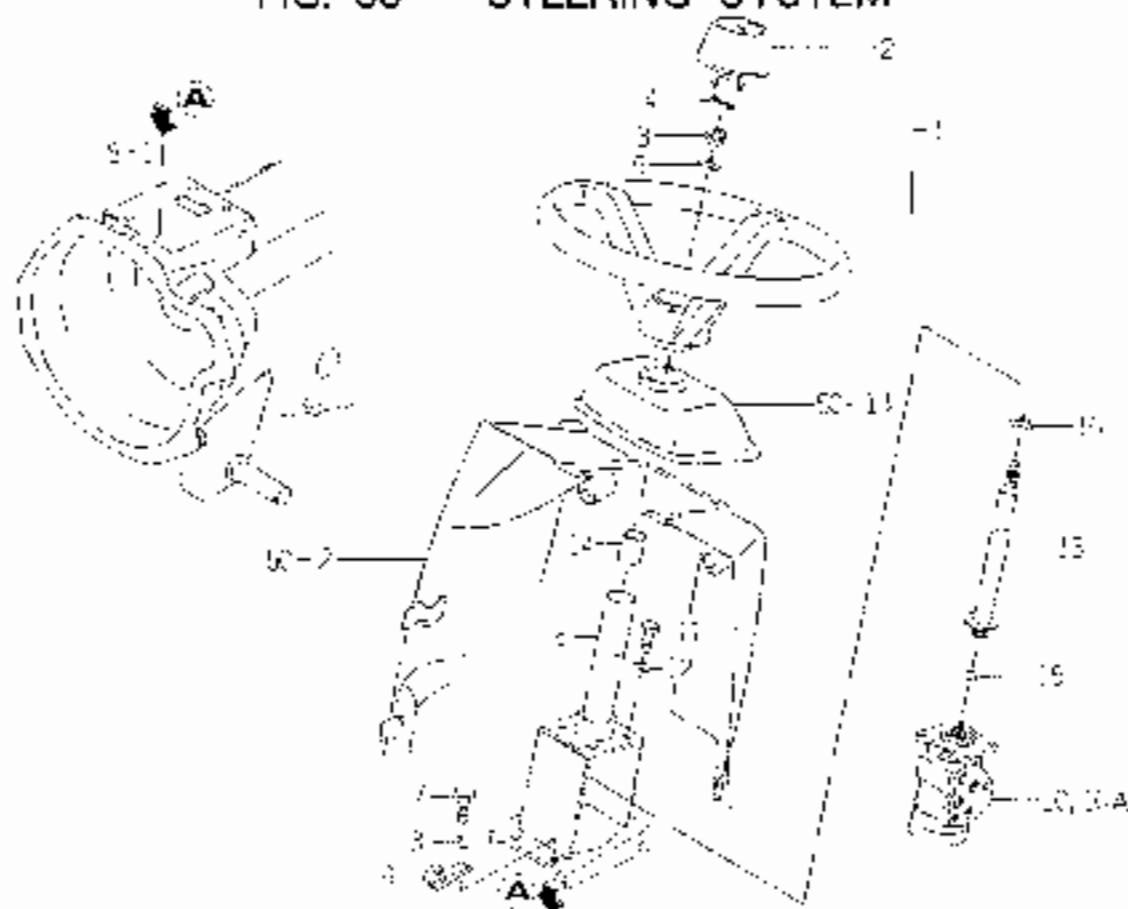
FIG. 35 BRAKE SYSTEM



JAN 62

KEY	PART CODE	DESCRIPTION	QTY	TYPE OF MODEL	I	C	G	REMARKS
				TRCS	T	C	P	
26	1682-312-30-00	PISTON/SHAFT/PI ASSY	1					
27	3008-012-001-00	WASH	1					
28	1682-312-004-00	SHAFT/PARKING	1					
29	1603-312-550-30	ARM/PARKING/PI COMP	1					
30	1083-312-560-10	ARM/PARKING/PI COMP	1					
31	V550-140-802-00	PIN/PINNING 8 X29 W	2					
32	V550-140-502-00	PIN/PINNING 8 X29 W	2					
33		WIRE	2					
34	1568-137-200-00	ROD	2					OLVP
35	V304-250-005-00	NUT M 8	4					
36	V411-260-002-00	WASHER/PI M 8	4					
37	V500-162-002-00	FR. COUPLER 2 X20	2					
38	1432-242-001-00	PN	2					
39	1421-602-005-10	CLIP-ON/S/ RUS609	1					
40	V304-280-008-00	NUT M 8	2					

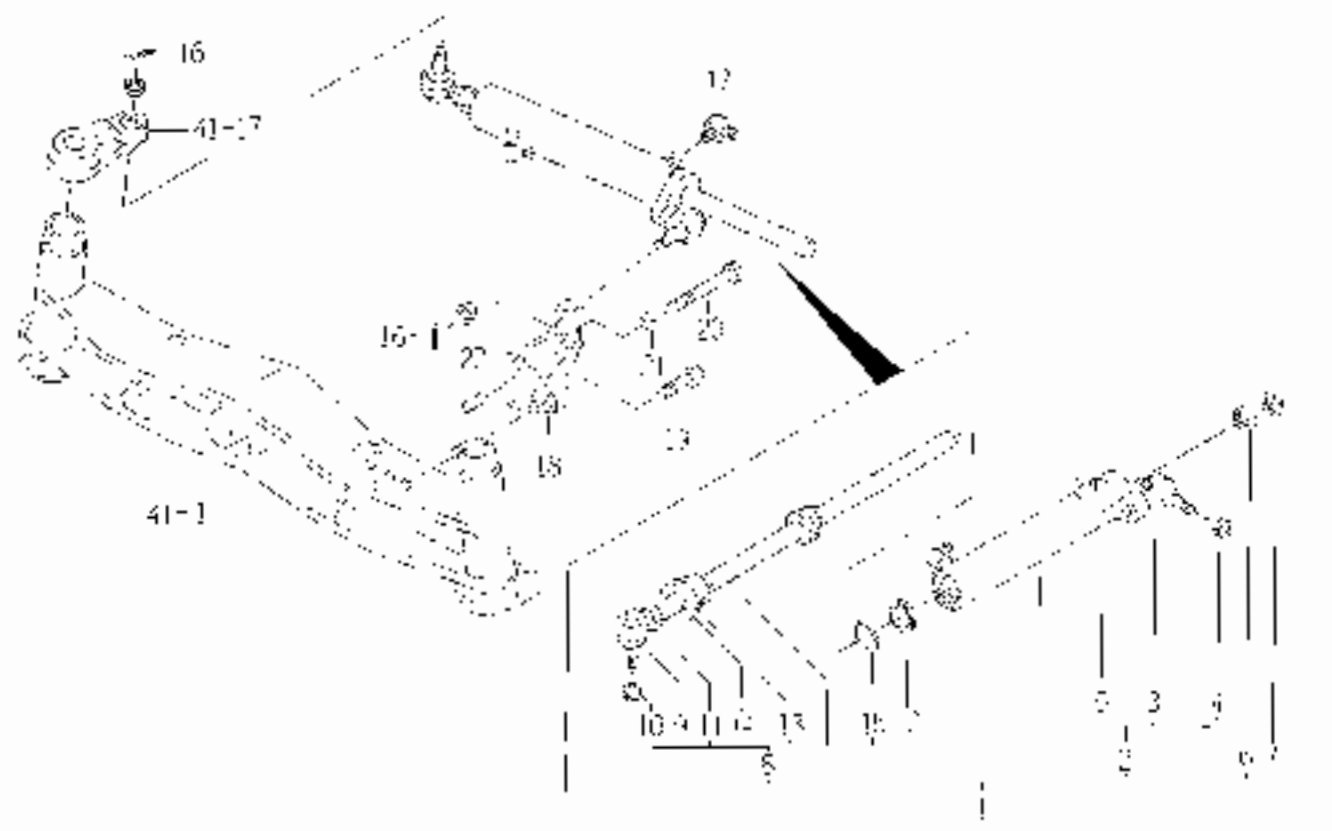
FIG. 36 STEERING SYSTEM



BL-91

KEY	PART CODE	DESCRIPTION	QTY	TYPE OF MODEL		I C	C O L	G L N	REMARKS
				106.12					
1	1653-407-220-00	WHEEL STEERING ASMY	1						
2	1655-407-022-00	CAP	1						
3	V379-107-0-00	N.U	1						
4	V500-102-007-00	PN,SP,II/2 X2J	1						
5	V411-200-0-0-00	WASHER/SP/W/O	1						
6	1092-407-200-10	SHAFT/STEERING COMP	1						
7	V203-261-002-00	R/L T-MIXER DECK	2						
8	V401-160-010-00	WASHER/SP/W/O	2						
9	3737-173-011-00	O-RING/RAMP	2						
10	1672-407-220-00	CONTROLLER/STEERING	1						
10A	1032-407-220-00	CONTROLLER/STEERING	1						
11	V203-261-007-00	R/L T-MIXER	3						
12	V401-160-010-00	WASHER/SP/W/O	3						
13	1092-407-010-10	SHAFT/STEERING COMP	1						
14	14-5-408-200-1-0	R/R-200-1VN	1						
15	V700-102-402-00	O-RING/PS	1						
16	V720-104-007-00	O-RING/PS	1						

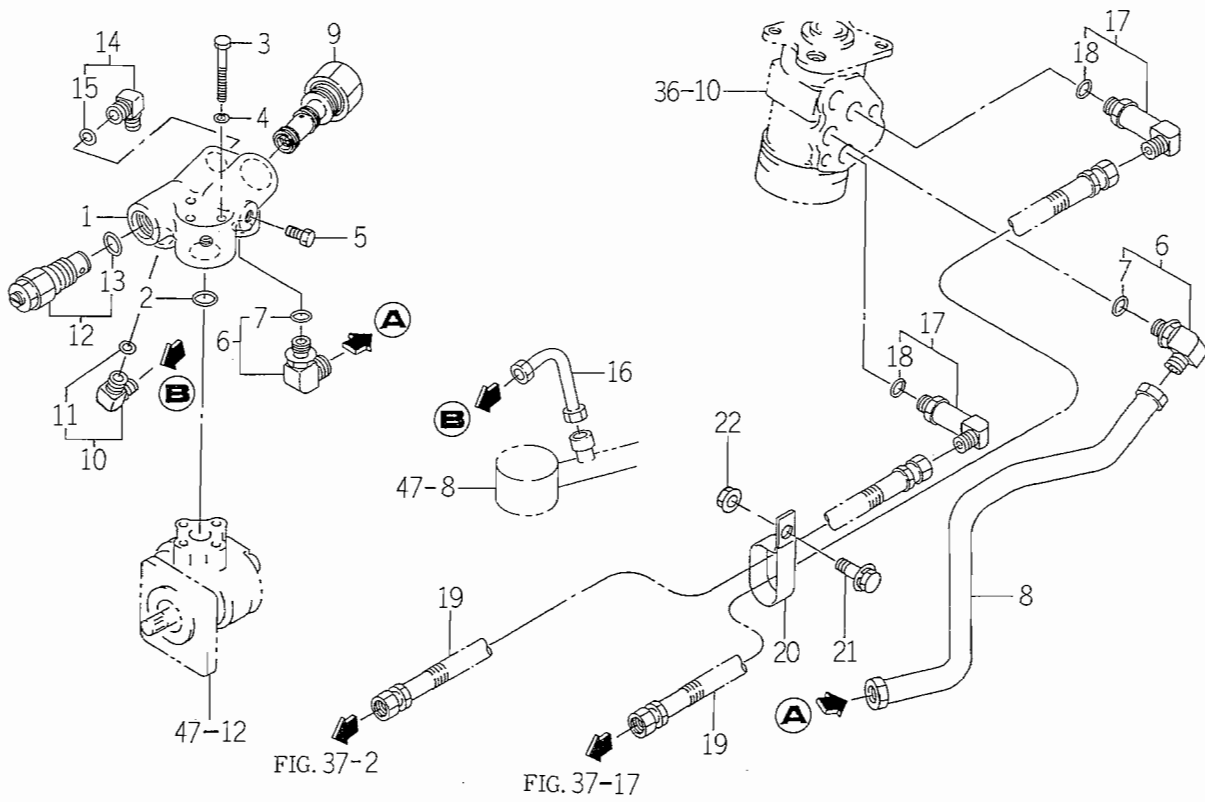
FIG. 37 CYLINDER SYSTEM



REF ID:

KEY	PART CODE	DESCRIPTION	QTY	TYPE OF MODEL		I	C	P	REMARKS
				TRG	TRG				
1	1081 403 200 30	CYLINDER HEAD ASSY	1	
2	1082 403 220 30	CYLINDER COMP	1	
3	1404 402 001 00	COVER DUST	1	
4	1404 402 002 00	NUT SLEEVE	1	
5	1421 433 241 00	NIPPLE/CROSS PIN	1	
6	1185 031 302 00	SEAL RING	1	
7	1185 031 303 00	SEAL DUST	1	
8	1082 403 250 20	PISTON/PISTON ASSY	1	
9	1404 402 001 00	COVER DUST	1	
10	1404 402 002 00	NUT SLEEVE	1	
11	1421 433 241 00	NIPPLE/CROSS PIN	1	
12	1672 403 003 00	PACKING/PISTON	1	
13	1185 031 302 00	SEAL RING	1	
14	1185 031 303 00	SEAL DUST	1	
15	1120 113 502 90	RING/O	1	
16	1500 162 002 50	PISTON PIN	2	
17	3768 160 002 10	ADAPTER (PIN) (UMK)	2	
18	1662 403 001 90	STAY CYLINDER	1	
19	3211 531 003 50	BOLT/S	2	
20	1501 301 003 50	BOLT	1	
21	1701 160 010 00	WASHER/SPACER	1	
22	1523 101 002 40	PIN	2	

FIG. 38 PIPING SYSTEM (EXCEPT S TYPE)



1688-408

KEY	PART CODE	DESCRIPTION	QTY	TYPE OF MODEL		I T C	C O L	G R P	REMARKS
				TMG18					
1	1688 - 408 - 001 - 00	METAL/U	1	*					
2	V720 - 112 - 402 - 00	O - RING/P20	1	*					
3	V200 - 260 - 605 - 50	BOLT/M 6X55	3	*					
4	V401 - 160 - 006 - 00	WASHER,SP/M 6	3	*					
5	1326 - 706 - 002 - 10	PLUG,DRAIN	2	*					
6	1672 - 408 - 210 - 00	ADAPTER/L/PF1/4 ASSY	2	*					
7	V720 - 112 - 401 - 10	RING/O	2	*					
8	1672 - 408 - 200 - 00	PIPE/U COMP	1	*					
9	K233 - 003 - 000 - 00	VALVE/FLOCON ASSY	1	*					FIG 078
10	1683 - 273 - 640 - 00	ADAPTER/L/PF3/8 ASSY	1	*					
11	V720 - 112 - 401 - 40	O - RING/P14	1	*					
12	K250 - 018 - 000 - 00	VALVE, RELIEF ASSY	1	*					
13	V720 - 112 - 402 - 00	O - RING/P20	1	*					
14	P117 - 501 - 250 - 00	ELBOW ASSY	1	1- -131					
15	V720 - 112 - 401 - 40	O - RING/P14	1	1- -131					
16	1688 - 408 - 200 - 10	PIPE/RELIEF COMP	1	*					
17	P113 - 211 - 330 - 00	ELBOW/90° /L ASSY	2	*					
18	V720 - 112 - 401 - 10	RING/O	2	*					
19	1682 - 408 - 220 - 00	HOSE/DERIVERY ASSY	2	*					
20	1444 - 101 - 016 - 10	CLAMP,RADIATOR HOSE	1	*					
21	V211 - 360 - 802 - 00	BOLT (SP) M8X20	1	*					
22	V362 - 260 - 008 - 00	NUT/WASHER	1	*					

FIG. 39 PIPING SYSTEM (S TYPE)

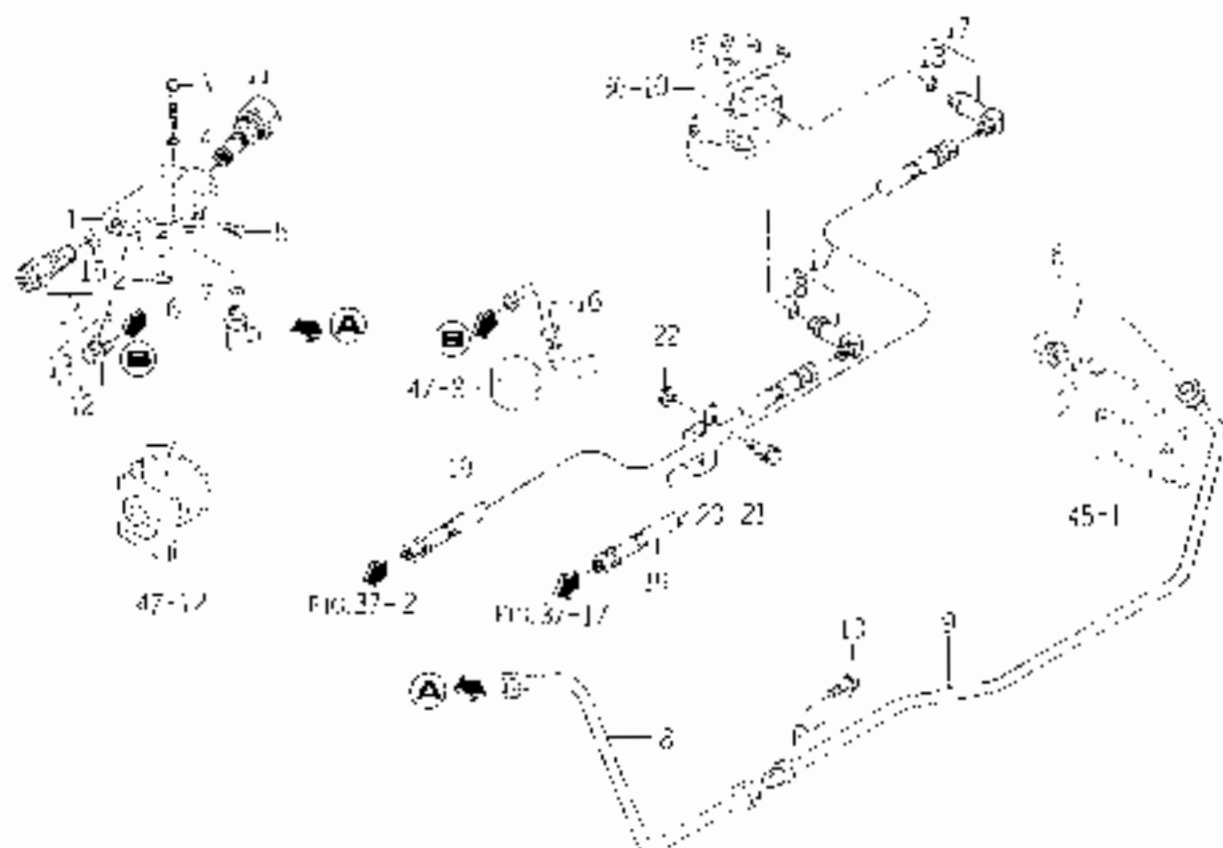
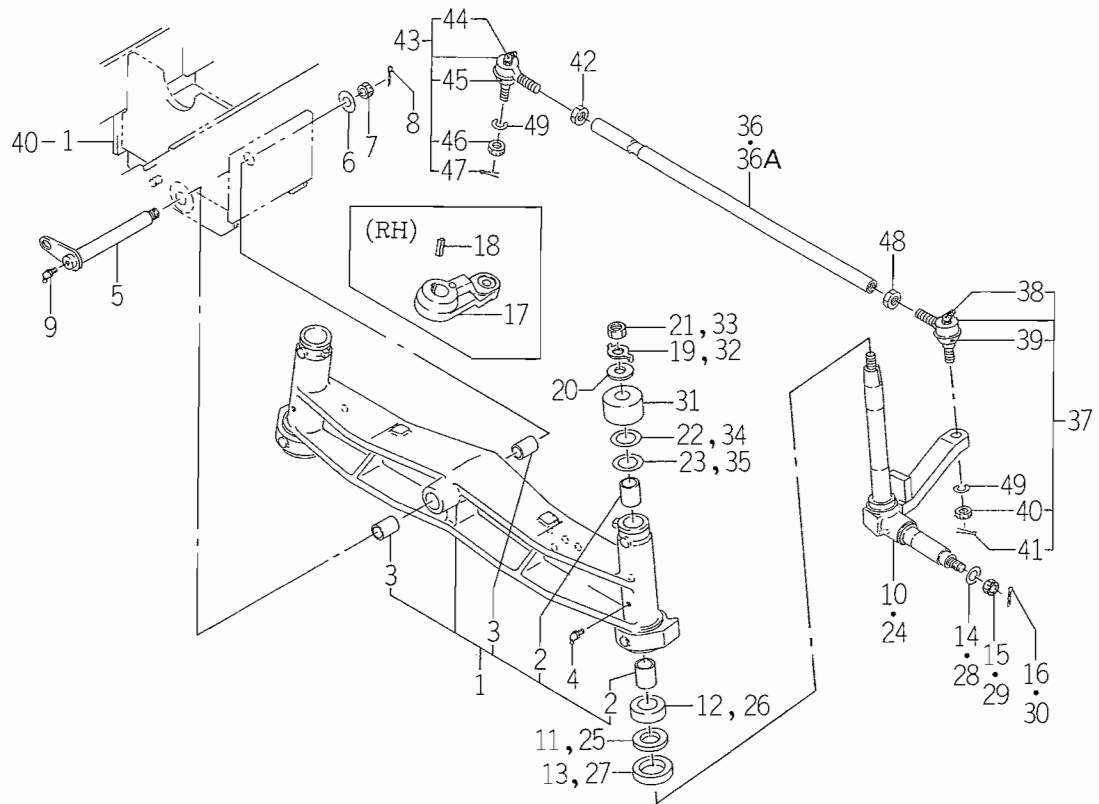


FIG. 39

KEY	PART CODE	DESCRIPTION	QTY	TYPE OF CODE		I T C	C O -	G R P	REMARKS
				TYG18					
1	16111 - 408 - 001 - 00	MF AL/0	1						
2	V720 - 112 - 402 - 00	O-RING/P20	1						
3	V200 - 700 - 005 - 50	EDLT/4 BXER	3						
4	V40 - 160 - 006 - 00	WASHER/AL 6	3						
5	1326 - 706 - 002 - 10	WASHER	2						
6	1672 - 407 - 210 - 00	ADAPTER/1/FFL 4 ASSY	2						
7	V720 - 112 - 401 - 10	RING/O	9						
8	1688 - 408 - 210 - 00	PIPE/VALVE/T COMP	1						
9	1688 - 408 - 220 - 00	PIPE/VALVE/T COMP	1						
10	V211 - 300 - 801 - 50	BOLT/SPS 3M	1						
11	K253 - 008 - 000 - 00	VALVE, FLOWM ASSY	1						FIG. 37M
12	1611 - 273 - 640 - 00	ADAPTER/1/FFL 8 ASSY	1						
13	V720 - 112 - 401 - 40	O-RING/P14	1						
14	K250 - 018 - 000 - 00	VALVE, RELIEF ASSY	1						
15	V720 - 112 - 402 - 00	O-RING/P20	1						
16	1688 - 408 - 200 - 10	PIPE/VALVE/T COMP	1						
17	F113 - 211 - 330 - 00	FLOWM/001/1 450°	2						
18	V720 - 112 - 401 - 10	RING/O	7						
19	1632 - 408 - 220 - 00	PIPE DERIVAT ASSY	2						
20	444 - 101 - 014 - 10	FLANG/004 10R 450°	1						
21	V211 - 300 - 802 - 00	BOLT (SP) M3X20	1						
22	V3E2 - 250 - 001 - 00	NUT/WASHER	1						

FIG. 41 2WD AXLE SYSTEM



1688-433

KEY	PART CODE	DESCRIPTION	QTY	TYPE OF MODEL		I T C	C O L	G R P	REMARKS
				TMG18					
1	1688 - 433 - 240 - 00	AXLE/2WD ASSY	1	*					
2	1411 - 401 - 001 - 00	BUSH/25X29X30	4	*					
3	1427 - 401 - 001 - 00	BUSH/20X24X30	2	*					
4	V760 - 150 - 000 - 00	NIPPLE,GREASE	2	*					
5	1688 - 433 - 200 - 00	PIN/PIVOT COMP	1	*					
6	1427 - 431 - 003 - 00	WASHER/13X32X3	1	*					
7	V327 - 262 - 112 - 00	NUT,CASTTLE/M12X1.25	1	*					
8	V500 - 163 - 002 - 50	PIN,SPLIT/3 X25	1	*					
9	V763 - 150 - 000 - 00	NIPPLE,GREASE/PT1/8	1	*					
10	1688 - 433 - 220 - 10	SPINDLE/RH COMP	1	*					
11	1419 - 403 - 001 - 00	COLLAR/25X42X4	1	*					
12	1681 - 434 - 001 - 00	BEARING/BALL/THRUST	1	*					
13	1682 - 434 - 033 - 00	SEAL/OIL	1	*					
14	3621 - 702 - 003 - 00	WASHER,PULLEY	1	*					
15	V328 - 262 - 112 - 00	NUT/M12X1.25	1	*					
16	V500 - 163 - 002 - 50	PIN,SPLIT/3 X25	1	*					
17	1688 - 433 - 003 - 00	ARM/KNUCKLE/RH	1	*					
18	1326 - 708 - 005 - 00	KEY,ROTARY TOP SHAFT	1	*					
19	1421 - 403 - 007 - 00	WASHER,LOCK/M12	1	*					
20	1421 - 403 - 008 - 00	WASHER/13X35X5	1	*					
21	V304 - 260 - 012 - 00	NUT/M12	1	*					
22	1421 - 951 - 006 - 00	SHIM,A/0.5	2	*					
23	1421 - 951 - 007 - 00	SHIM,A/1.0	2	*					
24	1688 - 433 - 230 - 10	SPINDLE/LH COMP	1	*					
25	1419 - 403 - 001 - 00	COLLAR/25X42X4	1	*					

FIG. 41 2WD AXLE SYSTEM

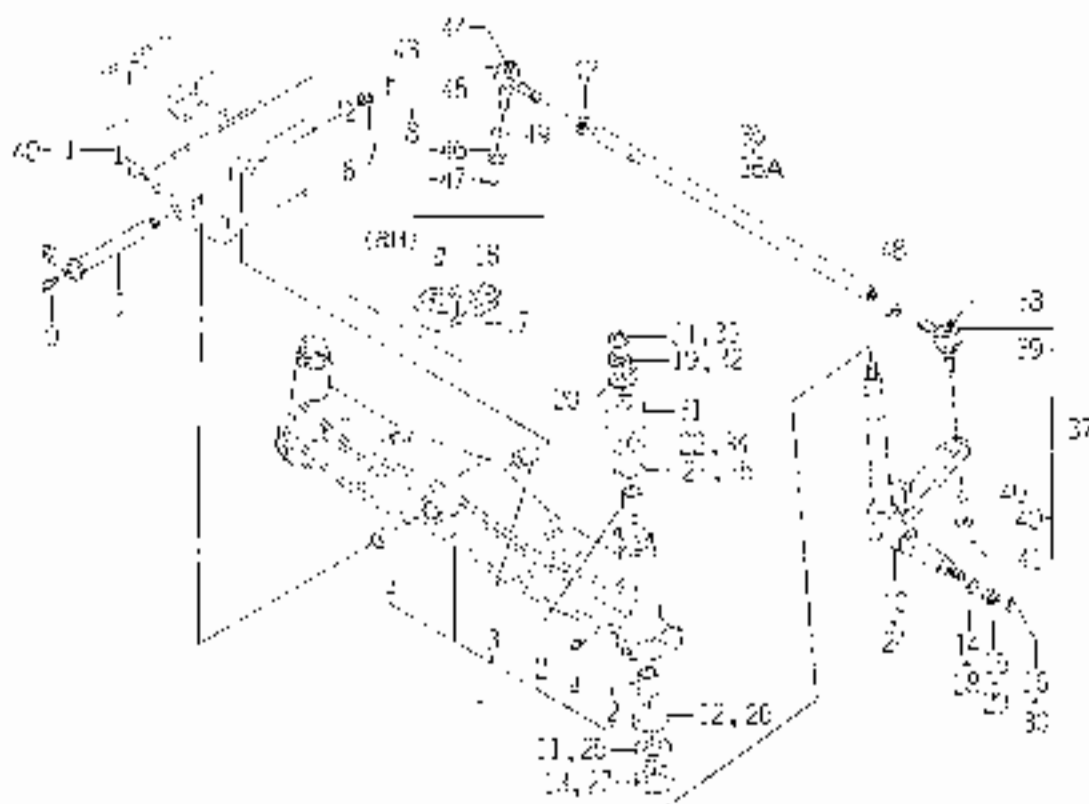
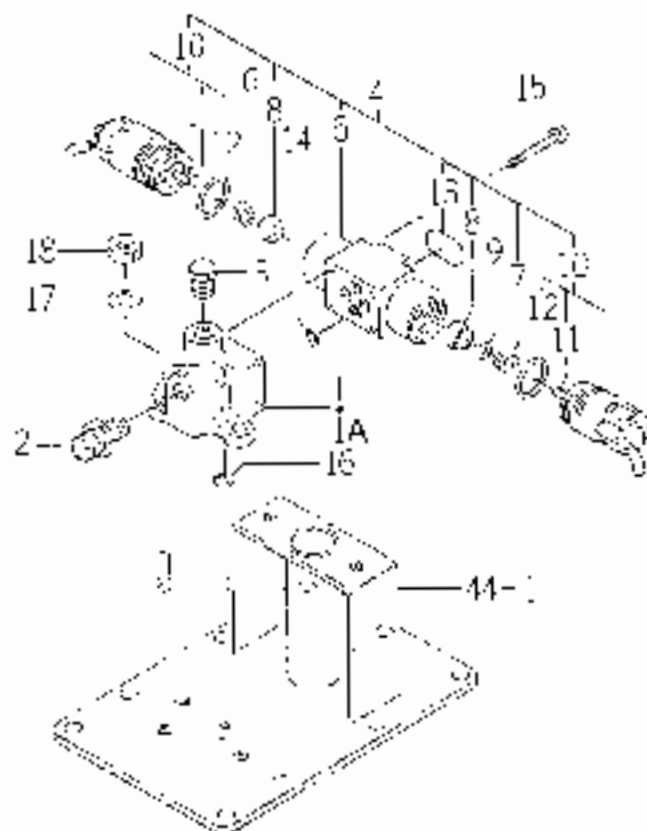


FIG. 41

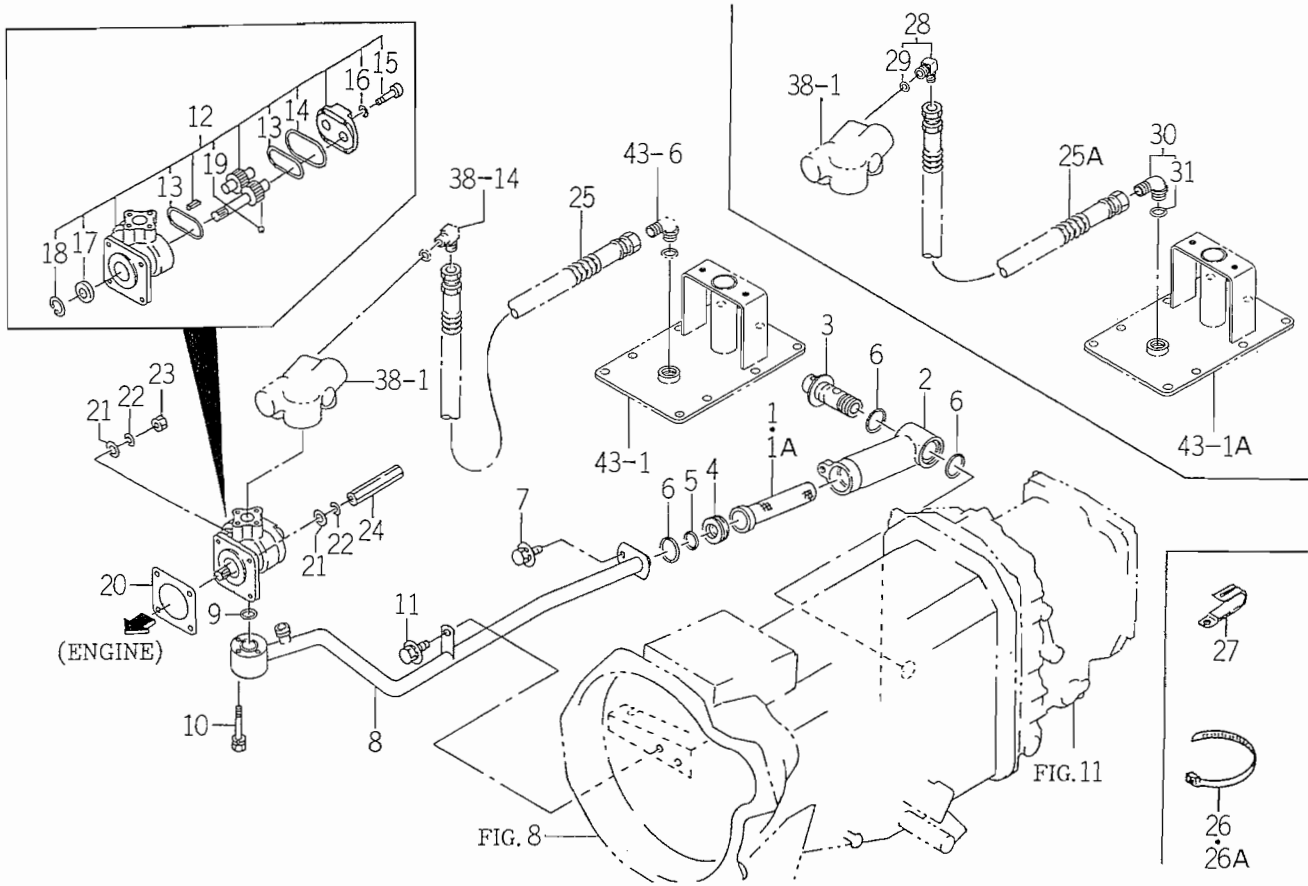
KEY	PART CODE	DESCRIPTION	QTY	TYPE OF MODEL			FILM MARKS
				TYPE	COL	CHG	
26	681 - 444 - 001 - 00	BEARING /RAI THRST	1				
27	682 - 437 - 033 - 00	SEAL OIL	1				
28	3621 - 702 - 003 - 00	WASHER TH L	1				
29	4328 - 263 - 112 - 00	NUT/M12X1.25	1				
30	4500 - 189 - 002 - 50	FIN SPL T/3 X25	1				
31	1688 - 433 - 002 - 00	HUB KUCKLE	1				
32	1421 - 436 - 007 - 00	WASHER LOCK/V12	1				
33	4304 - 250 - 012 - 00	NUT/M12	1				
34	1427 - 433 - 000 - 00	SHOULDER	2				
35	1427 - 433 - 007 - 00	SHOULDER	2				
36	433 - 433 - 2 - 00	ROD/T1	1	1-131			
36A	433 - 433 - 2 - 10	ROD/T1	1	1-132			
37	1427 - 433 - 240 - 10	JOINT/BALL/LH ASSY	1				
38	1404 - 402 - 005 - 00	NUT/RELEASE	1				
39	1427 - 433 - 025 - 00	COVER/JUST	1				
40	4327 - 252 - 110 - 00	NUT/M12X1.25	1				
41	4500 - 189 - 502 - 50	FIN SPL T/25X25	1				
42	1427 - 433 - 023 - 00	NUT/LH THREAD	1				
43	1427 - 433 - 250 - 10	JOINT/BALL RH ASSY	1				
44	1404 - 402 - 005 - 00	NUT/RELEASE	1				
45	1427 - 433 - 020 - 00	COVER/JUST	1				
46	4327 - 263 - 110 - 00	NUT/M12X1.25	1				
47	4500 - 189 - 502 - 50	FIN SPL T/25X25	1				
48	1427 - 433 - 022 - 00	NUT/M12	1				
49	4211 - 150 - 010 - 00	WASHER SP/W10	2				

FIG. 46 STACK VALVE SYSTEM (V TYPE)



KEY	PAR.	CODE	DESCRIPTION	QTY	TYPE OF MODEL		C	O	P	REMARKS
					TYPE	MODEL				
1	1988-507	001-00	ACTAL							
1A	1500-507	001-10	META.							
2	241-420	008-00	ADA-EM/1/43-B							
3	7966	201-026-00	PLUG/DRAIN (1/4)							
4	K273	005-000-00	VALVE SOLENOID ASSY							
5	K275	005-100-00	VALVE SET							
6	K270	001-003-10	SPRING/FLOAT							
7	K273	002-001-00	SPRING/FLOAT 1/2							
8	K270	00-004-00	PLATE/SPRING							
9	V4	-200-000-00	WASHER/1/8							
11	K270	001-200-00	SOLENOID SET							
11	K270	001-201-00	COIL							
12	V723	-112-002-00	RING/O							
13	K275	005-007-00	LABEL/POB							
14	V770	-111-000-70	O-RING/1/4							
15	V770	540-504-00	SCREW/SCREW							
16	V720	-101-000-00	O-RING/1/8							
17	V401	100-300-00	WASHER/3/16							
18	V204	-203-003-00	NUT M 3							

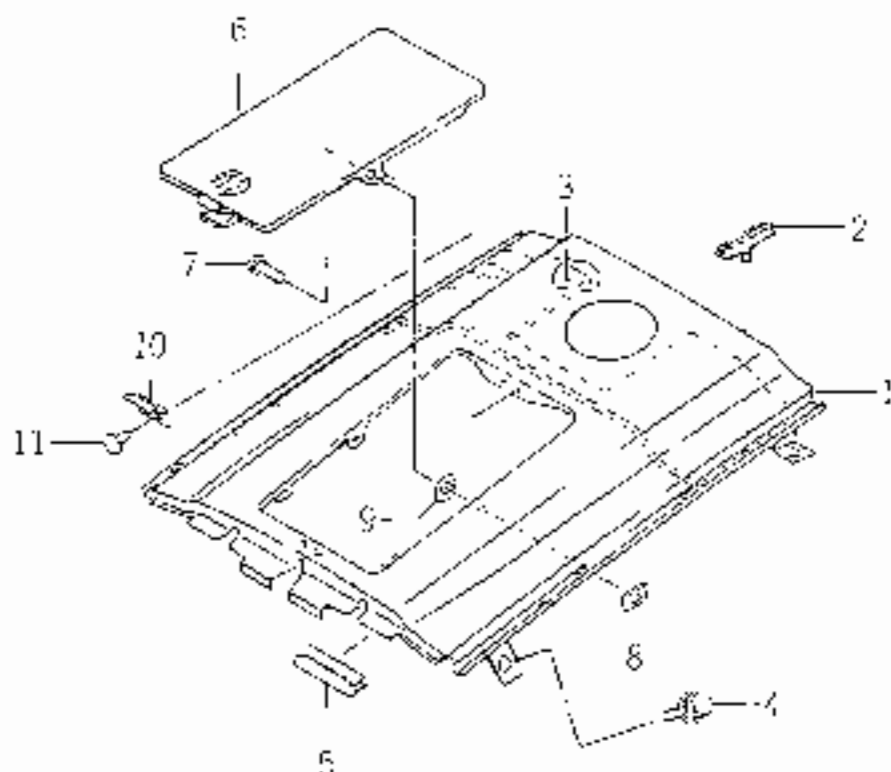
FIG. 47 MAIN PIPING SYSTEM



1688-508

KEY	PART CODE	DESCRIPTION	QTY	TYPE OF MODEL		I T C	C O L	G R P	REMARKS
				TMG18					
1	1434 - 503 - 320 - 10	FILTER	1		1- -200 201-				
1A	1682 - 508 - 300 - 00	FILTER COMP	1						
2	1434 - 503 - 004 - 10	CASE,OIL FILTER	1		*				
3	1434 - 503 - 330 - 00	BOLT,SET COMP	1		*				
4	1682 - 508 - 002 - 00	SPACER	1		*				
5	V720 - 102 - 402 - 10	O - RING/P21	1		*				
6	V720 - 103 - 502 - 80	O - RING/P28	3		*				
7	V211 - 360 - 801 - 60	BOLT,SEMS (SP)	1		*				
8	1688 - 508 - 200 - 00	PIPE/SUCTION COMP	1		*				
9	V720 - 112 - 402 - 00	O - RING/P20	1		*				
10	V210 - 260 - 604 - 50	BOLT,SEMS/M64X45	2		*				
11	V211 - 360 - 801 - 60	BOLT,SEMS (SP)	1		*				
12	1672 - 508 - 270 - 10	PUMP/GEAR ASSY	1		*				
13	1672 - 508 - 262 - 00	GASKET	2		*				
14	1672 - 508 - 263 - 00	GASKET	1		*				
15	V220 - 540 - 802 - 50	SCREW/SOCKET	4		*				
16	1672 - 508 - 264 - 00	WASHER	4		*				
17	V744 - 114 - 280 - 70	SEAL,OIL	1		*				
18	V705 - 140 - 028 - 00	RING,SNAP/28 C	1		*				
19	V682 - 200 - 001 - 00	BALL	2		*				
20	1404 - 503 - 006 - 00	PACKING,OIL PUMP	1		*				
21	V411 - 260 - 008 - 00	WASHER,PL/M 8	4		*				
22	V401 - 160 - 008 - 00	WASHER,SP/M 8	4		*				
23	V304 - 260 - 008 - 00	NUT/M 8	2		*				
24	1560 - 515 - 004 - 40	NUT/M8	2		*				

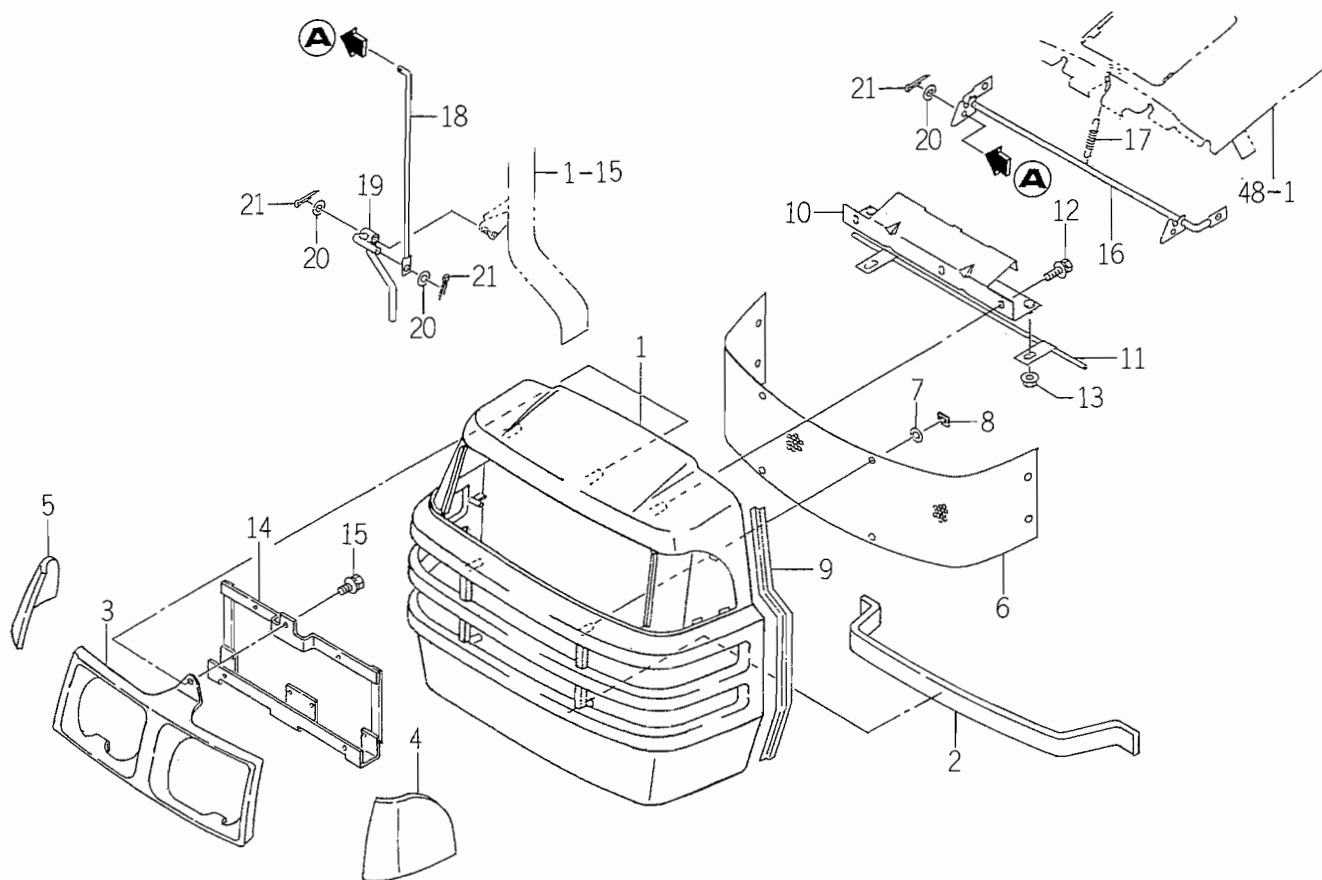
FIG. 48 HOOD SYSTEM



183 35

KEY	PART CODE	DESCRIPTION	QTY	TYPE OF MODEL TVS13	I T C	C O L	S R P	REMARKS
1	083 - 601 - 400 - 10	HOOD COMP	1			4		
2	050 - 002 - 001 - 40	INSULATOR	2					
3	083 - 601 - 002 - 10	INSULATOR - 20X40X36	1					
4	V21 - 360 - 501 - 50	BOLT, 30X10 (3P)	2					
5	075 - 601 - 003 - 30	TRIM / 2	2					
6	083 - 601 - 001 - 30	GASSER HEAD	1			4		
7	V200 - 108 - 001 - 20	RIVET	2					
8	V350 - 100 - 006 - 00	NUT SP-10/18	2					
9	500 - 801 - 017 - 00	WASHER/EX 14X2	2					
10	050 - 801 - 014 - 30	SPRING	1					
11	W200 - 104 - 007 - 00	RIVET, 8.10	2					

FIG. 49 GRILLE SYSTEM



1683-602

KEY	PART CODE	DESCRIPTION	QTY	TYPE OF MODEL		I T C	C O L	G R P	REMARKS
				TMG18					
1	1675 - 602 - 003 - 00	GRILLE	1	*					
2	1683 - 602 - 002 - 00	INSULATOR/575	1	*					
3	1683 - 602 - 001 - 00	HOOD/LAMP	1	*					
4	1675 - 602 - 004 - 00	MOLDING/GRILLE/LH	1	*					
5	1675 - 602 - 005 - 00	MOLDING/GRILLE/RH	1	*					
6	1683 - 602 - 003 - 00	NET/GRILLE	1	*					
7	1444 - 601 - 015 - 00	WASHER/6X14X3	8	*					
8	V350 - 160 - 006 - 00	NUT,SPEED/P6	8	*					
9	1675 - 602 - 007 - 00	TRIM/420	2	*					
10	1672 - 602 - 210 - 00	PLATE/GRILLE COMP	1	*					
11	1672 - 602 - 240 - 00	PIN COMP	1	*					
12	V210 - 360 - 601 - 60	BOLT (SP) /M6X16	3	*					
13	V363 - 260 - 008 - 00	NUT,LOCK/M8	2	*					
14	1683 - 602 - 220 - 00	BRACKET/LAMP COMP	1	*					
15	V210 - 360 - 601 - 60	BOLT (SP) /M6X16	3	*					
16	1672 - 602 - 230 - 00	PLATE/LOCK COMP	1	*					
17	1414 - 312 - 002 - 00	SPRING,TENSION/53	1	*					
18	1672 - 602 - 002 - 00	ROD	1	*					
19	1672 - 602 - 250 - 10	LEVER COMP	1	*					
20	V411 - 260 - 008 - 00	WASHER,PL/M 8	3	*					
21	V500 - 162 - 002 - 00	PIN,SPLIT/2 X20	3	*					