

PENGPU

PD165Y

系列履带式推土机
SERIES BULLDOZER



WWW.SPPMBP.COM

上海彭浦机器厂有限公司
SHANGHAI PENGPU MACHINE BUILDING PLANT CO.,LTD.

地址: 中国上海市共和新路3201号 (200072) Company Add.:3201 Gong He Xin Road, Shanghai China
电话(Tel): 86-21-56654667 51281356(销售部) 86-21-56652286(国际贸易部) 传真(Fax): 86-21-51281356
网址(Http://www.sppmbp.com (Http://www.shpengpu.com(EN) 电子信箱(E-mail): ppjqc@sppmbp.com
(2013.05 设计改进不另行通知)

发动机 ENGINE	上柴 SC11CB184G2B1
飞轮功率 FIYWGHEEL HORSEPOWER	122kW
整机重量(PD165Y) WEIGHT	17800kg
整机重量(PD165YS) WEIGHT	18200kg

图片所示机器包括选配装置。
详情请与当地代理商联系。

上海彭浦
SHANGHAI PENGPU

油耗低、牵引力大、工作效率高

LOW FUEL CONSUMPTION, GREAT DRAWBAR PULL, HIGH PRODUCTION EFFICIENCY

主要技术特点及优势

- ◇ 优化设计的整机外观。
- ◇ 发动机功率储备系数高, 输出扭矩大, 油耗低, 使用可靠。
- ◇ 液力传动, 自动调速, 不停车换挡。
- ◇ 三元件单级单相液力变矩器效率高、能容大。
- ◇ 新颖六角形驾驶室, 视野开阔, 密封性良好。
- ◇ 最终传动采用三角花键和鼓形修缘齿轮, 提高了传动件的承载均匀性和平稳性, 延长了使用寿命。
- ◇ 新型的推土工作装置实用耐久, 超大推土铲铲容。
- ◇ 可靠的监测和警报系统。
- ◇ 可靠的手动滑阀操纵, 多路阀外置, 维护方便。

Features and beauties

- ◇ The appearance of the vehicle is based on optimization design.
- ◇ High engine power reserve, strong torque output, low fuel consumption, reliable controls.
- ◇ Hydraulically powered, automatic speed change, shift the gears without stop the vehicle.
- ◇ 3 elements, single stage and single phase torque convertor features high efficiency and capacity.
- ◇ The updated hexahedral cab features outstanding visibility and good tightness.
- ◇ Using the triangle spline and the gear of crowned teeth and tip relief in the final drive to average the loads on the trans-mission components for more stability, prolong the lifetime.
- ◇ New blade is more durable and capacious.
- ◇ Alarming & monitoring system is reliable.
- ◇ Reliable manual-operated spool valve and external mounted valve for easy maintenance.

中国工程机械的王牌动力

The Ace power of China Construction Machinery



上柴SC11CB184G2B1
(上柴引进卡特C3306发动机)

- ◆ 可靠性高
零部件和整机的精良设计, 贯彻了高可靠性和长寿命、主要零部件和整机同寿命的设计理念, 重要摩擦副非常可靠、耐用。
- ◆ 动力强劲
排量为10.45升, 比竞争对手工程机械动力排量大; 扭矩储备系数最高可达1.5, 具有超强的动力性和良好的响应性, 作业轻松。
- ◆ 工作效率极高
同比要高23%; 单位作业量的燃油消耗率要低10%以上。
- ◆ 保养容易, 维修简单
- ◆ 低温启动性能优良
- ◆ 可根据用户要求选配康明斯发动机。

- ◆ Excellent Reliability
The idea of high dependability and long lifetime for the machine as well as the key components goes through the machines and the parts development. The key contacting surface pairs are reliable and wearable.
- ◆ Strong Power
The engine displacement 1.5 liter is much more than the competitors. Engine torque reserve coefficient up to 1.5 ensures powerful driving and quick responsiveness to make operation comfort.
- ◆ High Efficiency
The productivity is 23% higher than that of the other similar vehicles while the fuel consumption is at least 10% lower.
- ◆ Easy Maintenance and Service.
- ◆ Cold Start, Excellent Performance.
- ◆ The model of the Cummins engine can be chosen at the request of the customer.

变速箱

变速箱采用行星齿轮结构。通过操纵液压控制阀来实现前进、后退及各种变速。结构形式为行星齿轮, 多片离合器, 液压结合强制润滑式, 共分前进三档和后退三档。

Gear Box

The gear box is of the planetary gears type, by operating hydraulic control valve for traveling forward and backward. It features planetary gears, multi-disc clutch, hydraulically applied forced lubrication, 3 speeds forward and 3 speeds backwards.

液力变矩器

液力变矩器是单级单相三元件离心涡轮液力变矩器。它结构先进、工作可靠、易于与主机合理匹配。与传统的机械传动相比, 具有无可比拟的优越性: 使机械具有良好的自动适应性能, 无级调速性能, 提高机械使用寿命, 提高机械的通过性能, 简化机械操作性能, 提高机械的舒适性, 限矩保护功能。

Torque Converter

The torque converters are of the single stage, single phrase, 3 elements hydraulic type with reasonable structure and excellent reliability, which provide optimum matching with the machines. The outstanding transmissions comparing to the normal ones means the automatic adjustment to the field condition, gradually speed change, improved machine lifetime and traveling ability, easy maintenance, improved working comfort and torque limit set protection function.

最终传动

国内唯一掌握小松硬齿面鼓形修缘传动齿轮加工技术的厂家, 具有承载能力大、传动平稳、使用寿命长的特点。

The Final Driving

For tip relieve and crowned gears which features large loading capacity, stable transmission and long lifetime.



军选民品

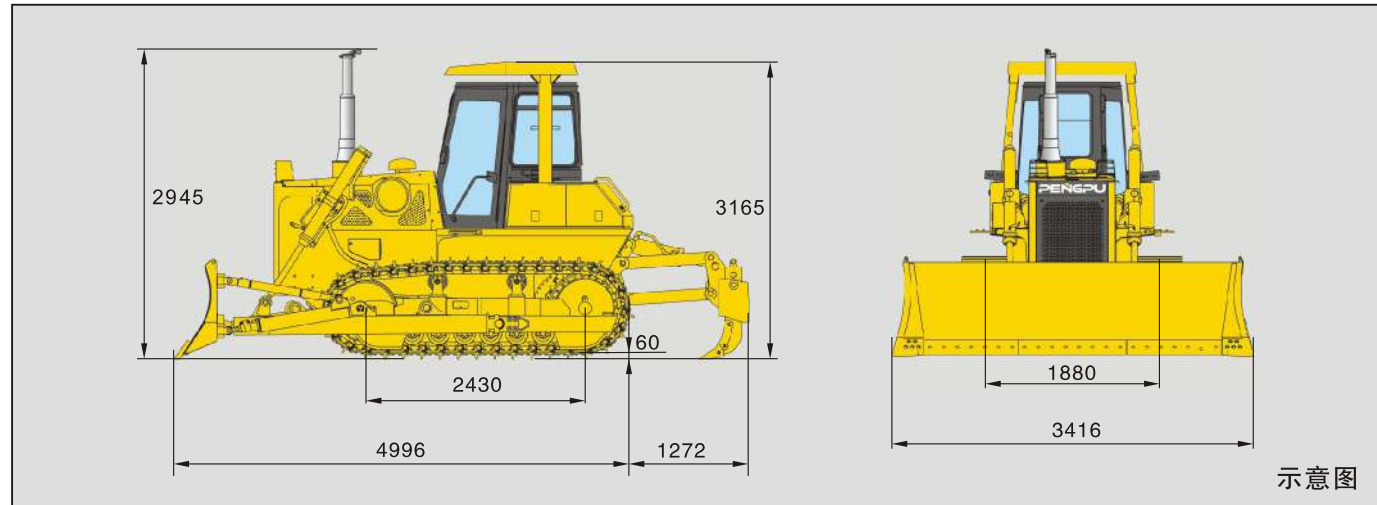
Military choose for civilian use machine



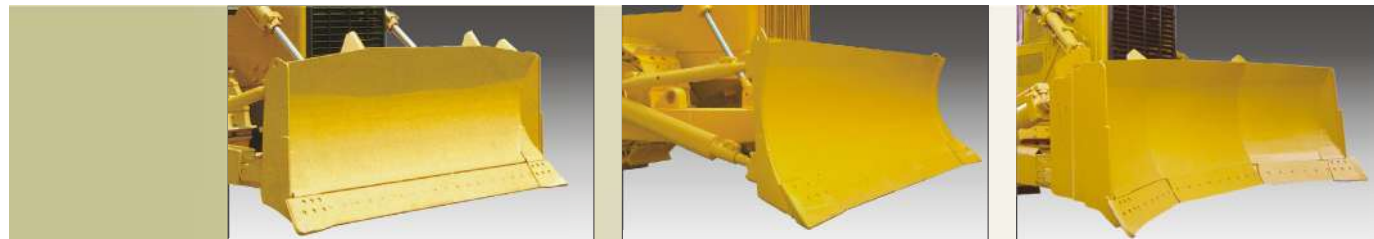
通过国军标认证

Certificated by the national PLA standards quality system.

PD165Y-2 推土机
PD165Y-2 BULLDOZER



工作装置 WORK EQUIPMENT



推土板形式 Blade type	直倾铲 Straight tilt blade	角铲 Angle	U形铲 U dozer
宽 × 高(mm) Width × Height (mm)	3416 × 1150	4019 × 1050	3400 × 1150
最大提升高度(mm) Max.lift above ground (mm)	1090	1110	1090
最大切土深度(mm) Max.drop below ground (mm)	530	530	530
刀刃切削角(°) Pitch adjustment (°)	55	55	55
最大侧倾量(mm) Max. Tilt (mm)	400	—	400
铲刀容量 Blade capacity(m³)	4.5	4.5	5.6

松土器 Ripper

形式 Type	三齿
最大松土深度 Max. dig below ground(mm)	572
最大提升高度 Max. lift above ground (mm)	492



发动机 ENGINE

型号 Model	上柴SC11CB184G2B1
型式 Type	直列、四冲程、水冷、直喷式、涡轮增压 Straight vertical, four-stroke, water cooling, direct injection type
飞轮功率(kW) Flywheel power(kW)	122
额定转速 (r/min) Rated speed (r/min)	1850
缸数 - 缸径 × 行程 (mm) Number of cylinders-bore × stroke (mm)	6-121 × 152
启动方式 Starting method	24V, 7.5kW 电动机启动 Electric starting motor 24V, 7.5kW
蓄电池 Battery	24V(12V × 2)
空气滤清器 Air cleaner	干式、预滤旋流滤清器 Dry type, pre-cleaned cyclone air cleaner
最低燃油消耗率 (g/kw · h) Min fuel consumption ratio(min)	208

传动装置 TRANSMISSION

液力变矩器 Torque converter	三元件, 单级, 单相 3-element, single-stage, single-phase
变速箱 Gearbox	手操纵、液压换档、行星齿轮、多片离合器式、泵压送强制润滑 Hand-operated, Hydraulic shift, Planetary gear, multiple disc clutch, forced lubrication by gear pump
中央传动 Bevel gear	螺旋伞齿轮、飞溅润滑 helical bevel gear, Splash lubricated
转向离合器 Steering clutch	湿式多片、弹簧压紧, 手动液压操纵, 液压分离 Wet, Multiple disc, Spring loaded, Hand-operated with booster and hydraulic-released
转向制动器 steering brake	湿式、带式、液压助力联动操纵 Wet, band brake, operated with hydraulic booster
最终传动 Final drive	正齿轮二级减速飞溅润滑 Spur gear, double reduction, splash lubricated

履带 TRACK

型式 Type	密封润滑式 单履齿或密封式单履齿 Sealed and lubricated single grouser or sealed single grouser
节距 (mm) Track pitch (mm)	203.2
宽度 (mm) Track width (mm)	510
履带板数 (每侧) Number of track shoes (each side)	37
履带接地长度 Length of track on ground (mm)	2430
履带中心距 (mm) Track gauge (mm)	1880

工作装置液压系统 HYDRAULIC SYSTEM OF WORK EQUIPMENT

工作压力 (Mpa) Working pressure (Mpa)	14
额定流量 (L/min) (2000r/min) Rated flow (L/min) (2000r/min)	243
油泵 Pump	齿轮泵 Gear pump
操作阀 Control valve	手动滑阀 Hand-operated, sliding type
油缸: 缸径 × 杆径 × 行程 (mm) Cylinder, Bore × Rod × Stroke (mm)	Φ110 × Φ65 × 1026

行走装置 UNDER CARRIAGE

驱动轮 Sprocket	镶块式大链轮 Segmented
托轮数 (每侧) No. of carrier roller (each side)	2
支重轮数 (每侧) No. of track rollers (each side)	6(4单, 2双) 6(4 Single, 2 double)
张力机构 Track tension	黄油涨紧 Hydraulic-adjusted

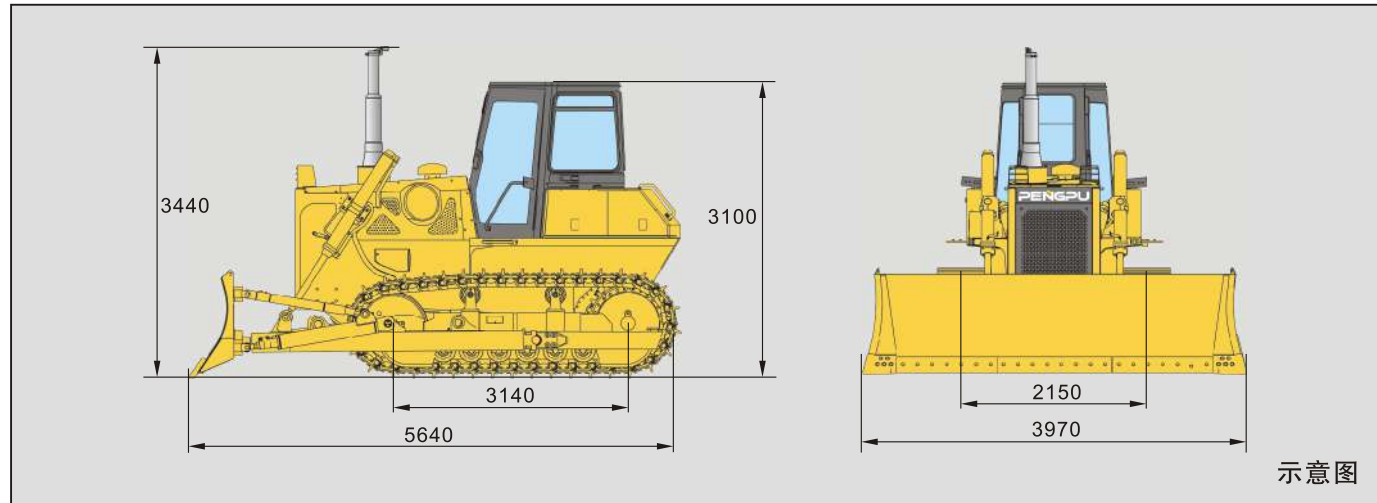
*驱动轮, 支重轮, 托轮和引导轮均采用浮动油封
Floating seals are used in all sprockets, track rollers, carrier rollers and front idlers

行驶速度 TRAVEL SPEED (km/h)

	1速 1st	2速 2nd	3速 3rd
前进 Forward	3.8	6.6	10.6
后退 Reverse	4.9	8.5	13.6

PD165YS 推土机

PD165YS BULLDOZER



工作装置 WORK EQUIPMENT



推土板形式 Blade type	直倾铲 Straight tilt blade	环卫铲 Dozer for garbage
宽 × 高(mm) Width × Height (mm)	3970 × 1050	3970 × 1514
最大提升高度(mm) Max.lift above ground (mm)	1180	1180
最大切土深度(mm) Max.drop below ground (mm)	440	440
刀刃切削角(°) Pitch adjustment (°)	55	55
最大侧倾量 (mm) Max. Tilt (mm)	700	700
铲刀容量(Blade capacity)(m ³)	4.4	6.17



● 发动机 ENGINE

型号 Model	上柴SC11CB184G2B1	康明斯Cummins NT855-C280
型式 Type	直列、四冲程、水冷、直喷式、涡轮增压 Straight vertical, four-stroke, water cooling, direct injection type	直列、四冲程、水冷、PT泵喷射 涡轮增压 Straight vertical, four-stroke, water cooling, PT pump injection, turbocharged
飞轮功率(kW) Flywheel power(kW)	122	122
额定转速 (r/min)Rated speed (r/min)	1850	1850
缸数 - 缸径 × 行程 (mm) Number of cylinders-bore × stroke (mm)	6-121 × 152	6-140 × 152
启动方式 Starting method	24V,7.5kW 电动机启动 Electric starting motor 24V, 7.5kW	24V,7.5kW 电动机启动 Electric starting motor 24V, 7.5kW
蓄电池 Battery	24V(12V × 2)	24V(12V × 2)
空气滤清器 Air cleaner	干式、预滤旋流滤清器 Dry type, precleaned cyclone air cleaner	干式、纸质空气滤清器 Dry type, precleaned paper element air cleaner
最低燃油消耗率 (g/kw · h) Min fuel consumption ratio(min)	208	214

● 传动装置 TRANSMISSION

液力变矩器 Torque converter	三元件, 单级, 单相 3-element, single-stage, single-phase
变速箱 Gearbox	手操纵、液压换挡、行星齿轮、多片离合器式、泵压送强制润滑 Hand-operated, Hydraulic shift, Planetary gear, multiple disc clutch, forced lubrication by gear pump
中央传动 Bevel gear	螺旋伞齿轮、飞溅润滑 helical bevel gear, Splash lubricated
转向离合器 Steering clutch	湿式多片、弹簧压紧, 手动液压操纵, 液压分离 Wet, Multiple disc, Spring loaded, Hand-operated with booster and hydraulic-released
转向制动器 steering brake	湿式、带式、液压助力联动操纵 Wet, band brake, operated with hydraulic booster
最终传动 Final drive	正齿轮二级减速飞溅润滑 Spur gear, double reduction, splash lubricated

● 履带 TRACK

型式 Type	密封润滑式 单履齿或密封式单履齿 Sealed and lubricated single grouser or sealed single grouser
节距 (mm) Track pitch (mm)	203.2
宽度 (mm) Track width (mm)	1000
履带板数 (每侧) Number of track shoes(each side)	44
履带接地长度 Length of track on ground (mm)	3140
履带中心距 (mm) Track gauge (mm)	2150

● 工作装置液压系统 HYDRAULIC SYSTEM OF WORK EQUIPMENT

工作压力 (Mpa) Working pressure (Mpa)	14
额定流量 (L/min) (2000r/min) Rated flow (L/min) (2000r/min)	243
油泵 Pump	齿轮泵 Gear pump
操作阀 Control valve	手动滑阀 Hand-operated, sliding type
油缸: 缸径 × 杆径 × 行程(mm) Cylinder, Bore × Rod × Stroke (mm)	Φ110 × Φ65 × 1026

● 行走装置 UNDER CARRIAGE

驱动轮 Sprocket	镶块式大链轮 Segmented
托轮数 (每侧) No. of carrier roller (each side)	2
支重轮数 (每侧) No. of track rollers (each side)	7(3单, 4双) 7(3 Single, 4 double)
张力机构 Track tension	黄油涨紧 Hydraulic-adjusted

*驱动轮, 支重轮, 托轮和引导轮均采用浮动油封
Floating seals are used in all sprockets, track rollers, carrier rollers and front idlers

● 行驶速度 TRAVEL SPEED (km/h)

	1速 1st	2速 2nd	3速 3rd
前进 Forward	3.8	6.6	10.6
后退 Reverse	4.9	8.5	13.6